



US00D795406S

(12) **United States Design Patent** (10) **Patent No.:** **US D795,406 S**  
**Licini** (45) **Date of Patent:** **\*\* Aug. 22, 2017**

(54) **SHOWER RECEPTOR**

(71) Applicant: **Kohler Co.**, Kohler, WI (US)

(72) Inventor: **Frederic Licini**, L'Etang la Ville (FR)

(73) Assignee: **KOHLER CO.**, Kohler, WI (US)

(\*\*) Term: **15 Years**

(21) Appl. No.: **29/565,191**

(22) Filed: **May 18, 2016**

(51) **LOC (10) Cl.** ..... **23-02**

(52) **U.S. Cl.**  
USPC ..... **D23/304**

(58) **Field of Classification Search**

USPC ..... D23/283, 303-304

CPC . A47K 3/40; A47K 3/325; A47K 3/30; A47K  
3/32; A47K 3/285; A47K 3/286

See application file for complete search history.

(56) **References Cited**

**U.S. PATENT DOCUMENTS**

D596,722 S *	7/2009	Hisey	.....	D23/304
D611,129 S *	3/2010	Hisey	.....	D23/304
D613,839 S *	4/2010	Hisey	.....	D23/304
8,474,069 B1 *	7/2013	Whitinger	.....	A47K 3/405 4/613
8,677,521 B2 *	3/2014	Stimpson	.....	A47K 3/40 4/613

(Continued)

*Primary Examiner* — Robert A Delehanty

(74) *Attorney, Agent, or Firm* — Foley & Lardner LLP

(57) **CLAIM**

I claim the ornamental design for a shower receptor, as shown and described.

**DESCRIPTION**

FIG. 1 is a perspective view of an embodiment of the claimed design;

FIG. 2 is a top view of the claimed design shown in FIG. 1; FIG. 3 is a bottom view of the claimed design shown in FIG. 1;

FIG. 4 is a side view of the claimed design shown in FIG. 1;

FIG. 5 is a cross-sectional view of the claimed design shown in FIG. 1, taken along line 5-5 in FIG. 2;

FIG. 6 is a front view of the claimed design shown in FIG. 1;

FIG. 7 is a cross-sectional view of the claimed design shown in FIG. 1, taken along line 7-7 in FIG. 2;

FIG. 8 is a perspective view of another embodiment of the claimed design;

FIG. 9 is a top view of the claimed design shown in FIG. 8;

FIG. 10 is a bottom view of the claimed design shown in FIG. 8;

FIG. 11 is a side view of the claimed design shown in FIG. 8;

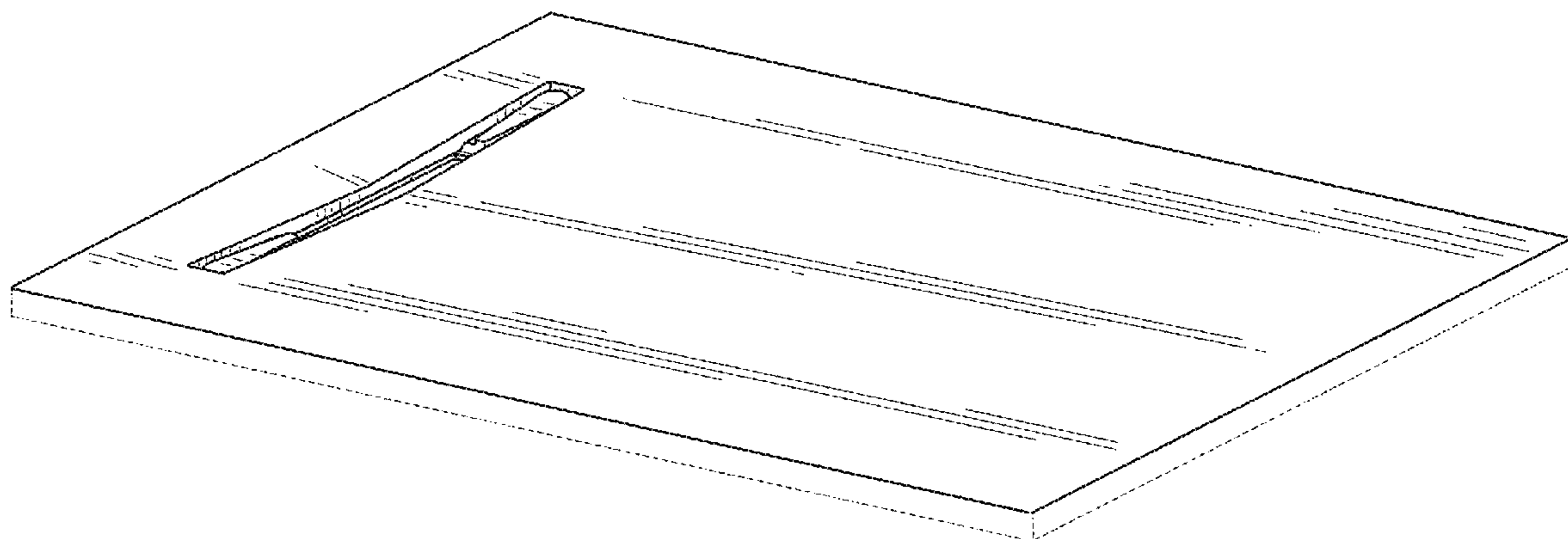
FIG. 12 is a cross-sectional view of the claimed design shown in FIG. 8, taken along line 12-12 in FIG. 9;

FIG. 13 is a front view of the claimed design shown in FIG. 8; and,

FIG. 14 is a cross-sectional view of the claimed design shown in FIG. 8, taken along line 14-14 in FIG. 9.

The ornamental design that is claimed is shown in the drawings as solid lines and surfaces having surface shading. The broken lines in the drawings are for illustrative purposes only and form no part of the claimed design. For example, broken lines formed by equal length dashes show unclaimed portions of the design. Broken lines formed of unequal length dashes (i.e., dash-dot) show boundaries between either claimed and unclaimed portions of the design or between unclaimed and unclaimed portions of the design. Break lines having a jagged element are not part of the claimed design and show that differing lengths of the portion are possible.

**1 Claim, 10 Drawing Sheets**



(56)

**References Cited**

U.S. PATENT DOCUMENTS

8,850,633 B2 \* 10/2014 Erlebach ..... A47K 3/40  
4/679  
9,334,638 B1 \* 5/2016 Kirby ..... A47K 3/40  
D766,408 S \* 9/2016 Licini ..... D23/304  
9,462,916 B2 \* 10/2016 Adams ..... A47K 3/40

\* cited by examiner

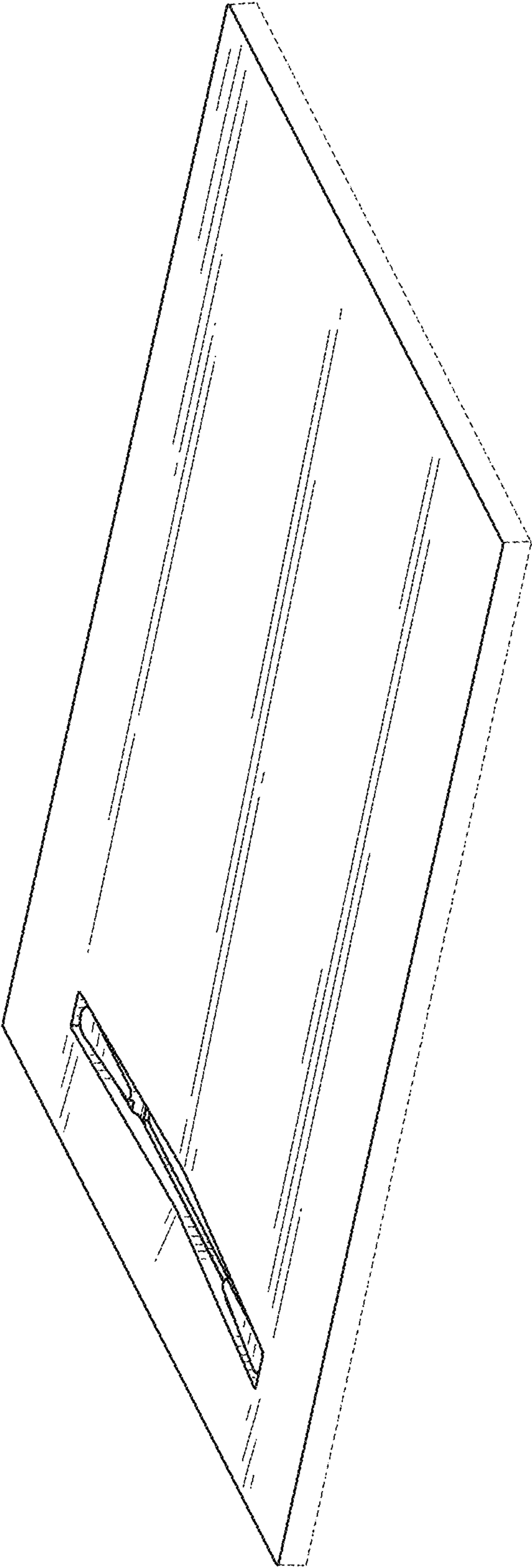


FIG. 1

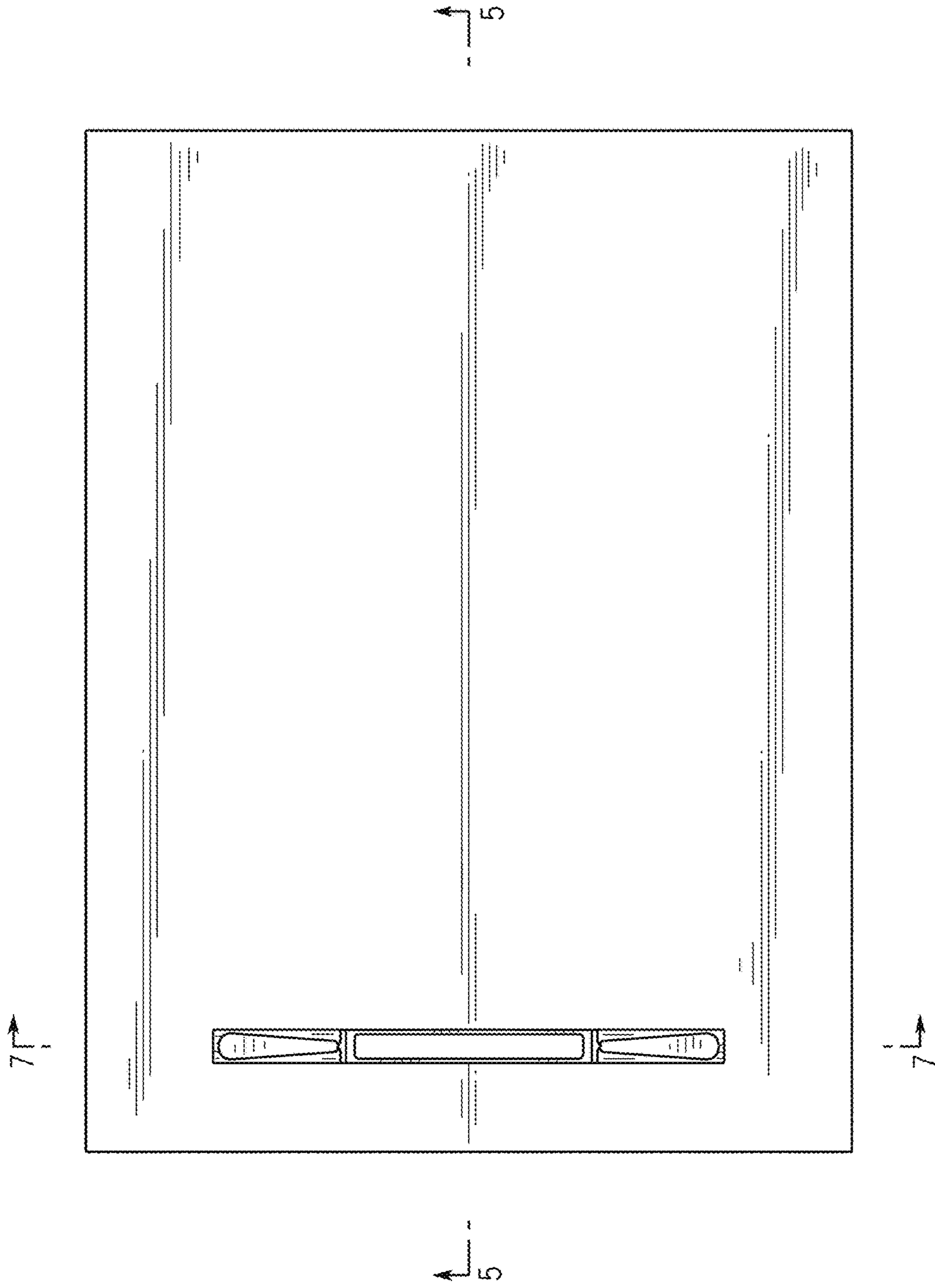


FIG. 2

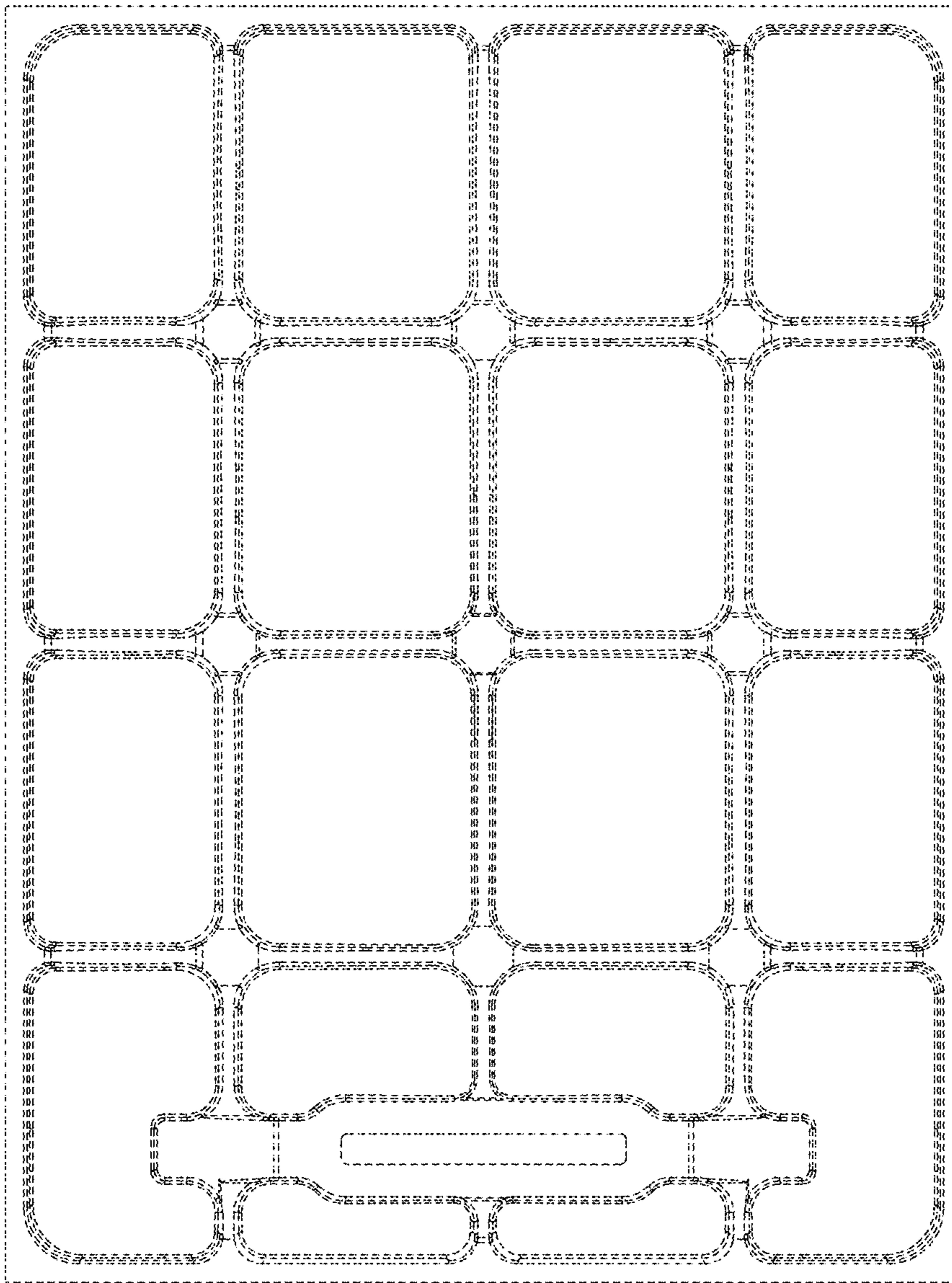


FIG. 3



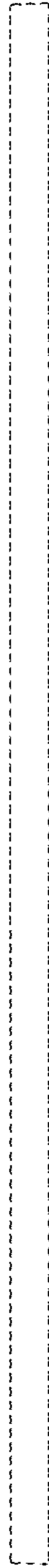


FIG. 4

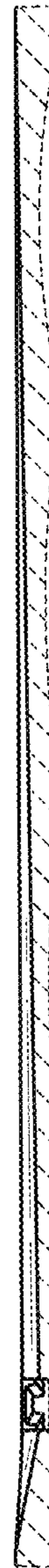


FIG. 5

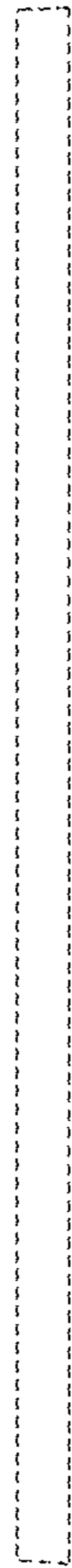


FIG. 6



FIG. 7

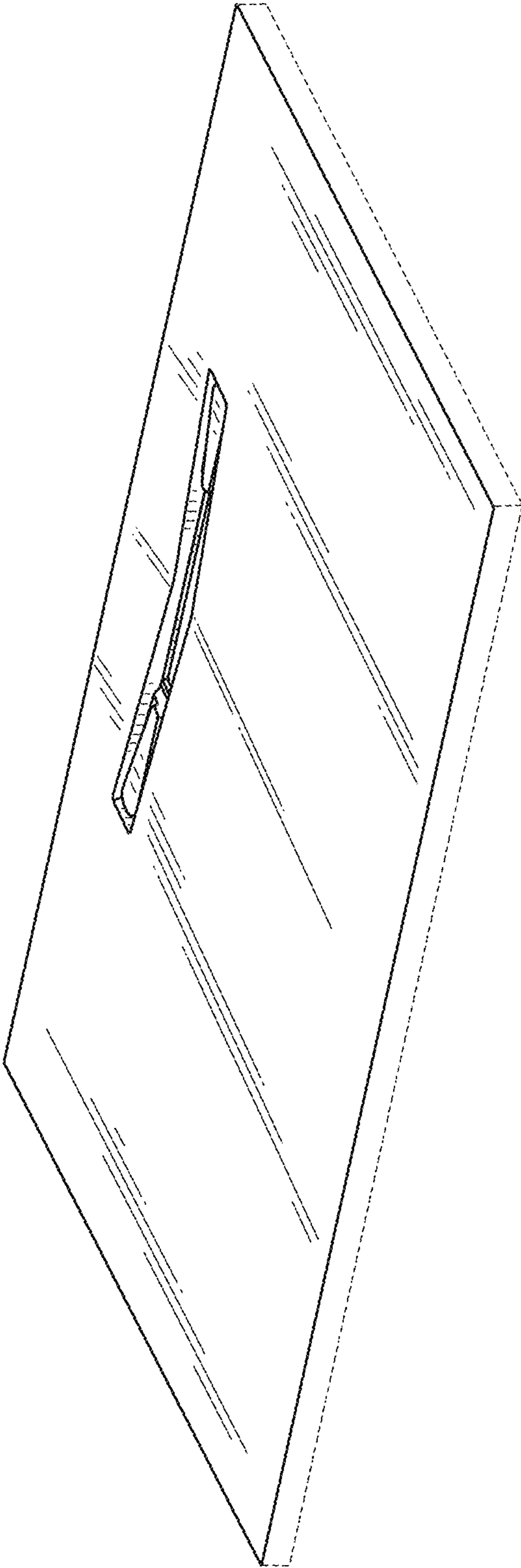
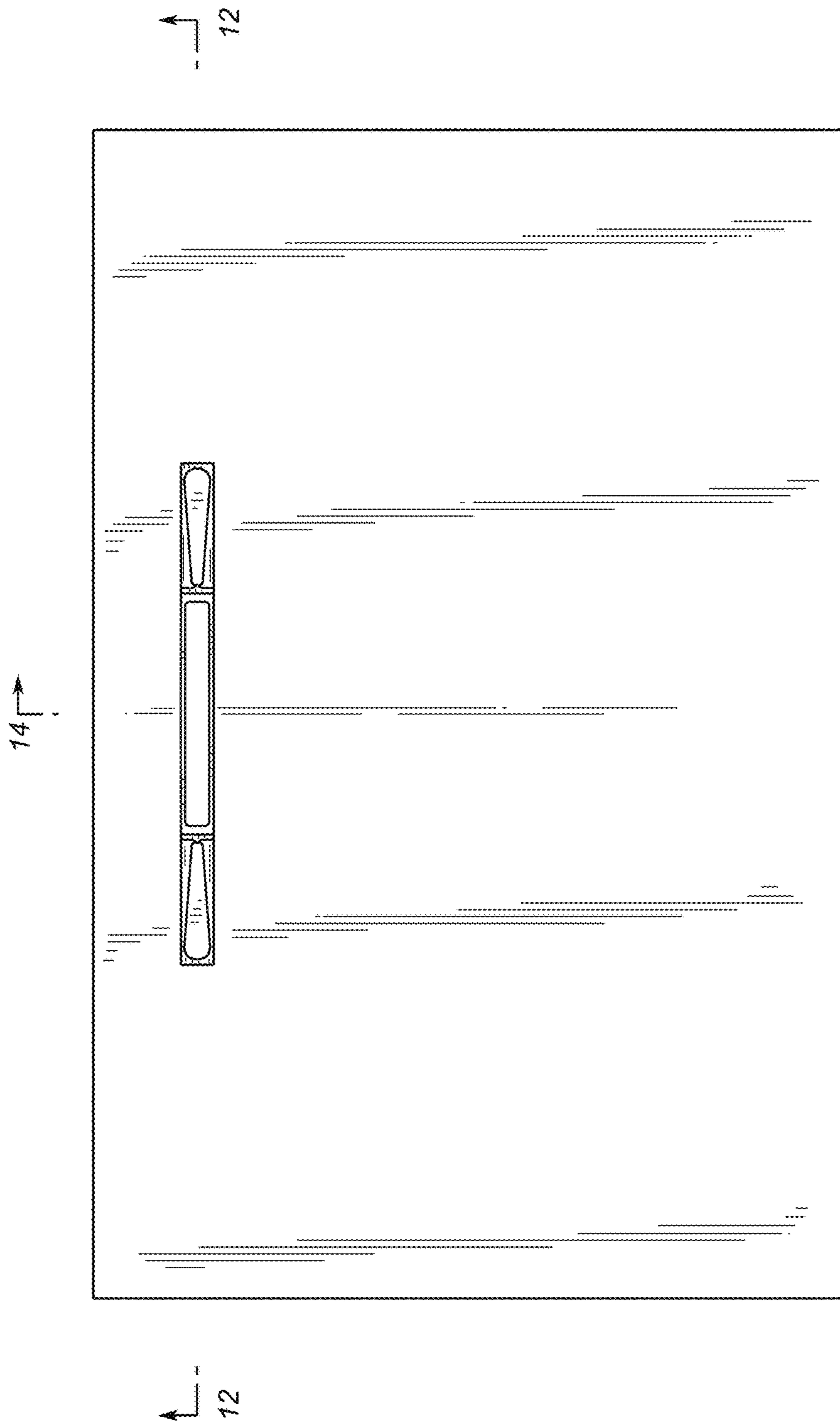


FIG. 8





14  
FIG. 9

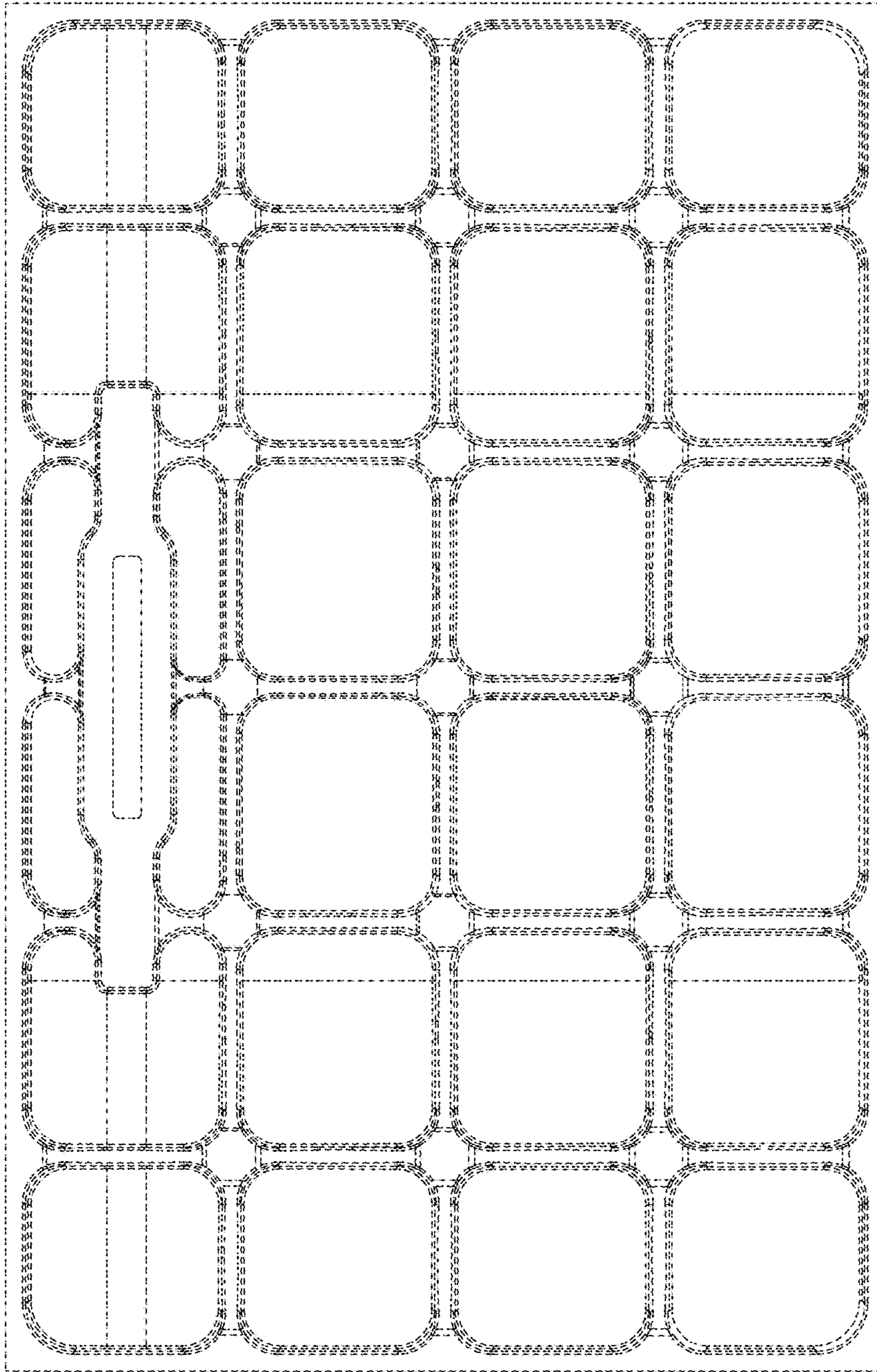


FIG. 10

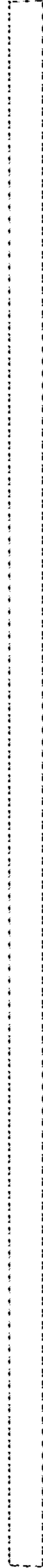


FIG. 11



FIG. 12

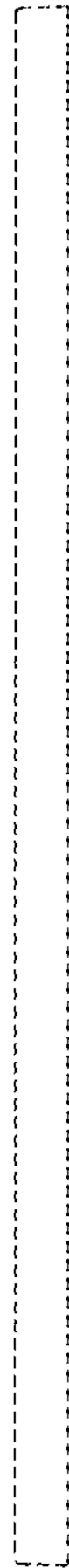


FIG. 13



FIG. 14