



US00D795405S

(12) **United States Design Patent**
Novick

(10) **Patent No.:** **US D795,405 S**

(45) **Date of Patent:** **** Aug. 22, 2017**

(54) TOILET BIDET COMBINATION	4,926,509 A *	5/1990	Bass	E03D 9/08 4/420.4
(71) Applicant: Matthew Novick , Southwest Ranches, FL (US)	D366,103 S *	1/1996	Angustia	D23/295
	D378,697 S *	4/1997	New	D23/295
	5,652,971 A *	8/1997	Wokas	E03D 9/08 4/420.4
(72) Inventor: Matthew Novick , Southwest Ranches, FL (US)	D400,238 S *	10/1998	New	D23/295
	6,167,577 B1 *	1/2001	Hammad	E03D 9/08 4/420.4
(**) Term: 15 Years	7,013,502 B2 *	3/2006	Pacheco	E03D 9/08 4/420.2
(21) Appl. No.: 29/598,274	D702,820 S *	4/2014	Spangler	D23/301
	D750,763 S *	3/2016	Eads	D23/301
(22) Filed: Mar. 24, 2017	2006/0037129 A1 *	2/2006	Bhatnagar	E03D 9/08 4/420.4
	2007/0033723 A1 *	2/2007	Fryzer	E03D 9/08 4/420.4

Related U.S. Application Data

(63) Continuation-in-part of application No. 14/845,216,
filed on Nov. 9, 2015.

(51) **LOC (10) Cl.** **23-02**

(52) **U.S. Cl.**
USPC **D23/301**

(58) **Field of Classification Search**
USPC D23/295, 301, 309
CPC .. E03D 9/08; E03D 9/085; A47K 7/08; A47K
3/26; Y10T 29/494; Y10T 29/598274
See application file for complete search history.

* cited by examiner

Primary Examiner — Robert A Delehanty

(74) *Attorney, Agent, or Firm* — Nancy J. Flint, Esq.;
Nancy J. Flint, Attorney At Law, P.A.

(57) **CLAIM**

The ornamental design for a toilet bidet combination, as
shown and described.

(56) **References Cited**

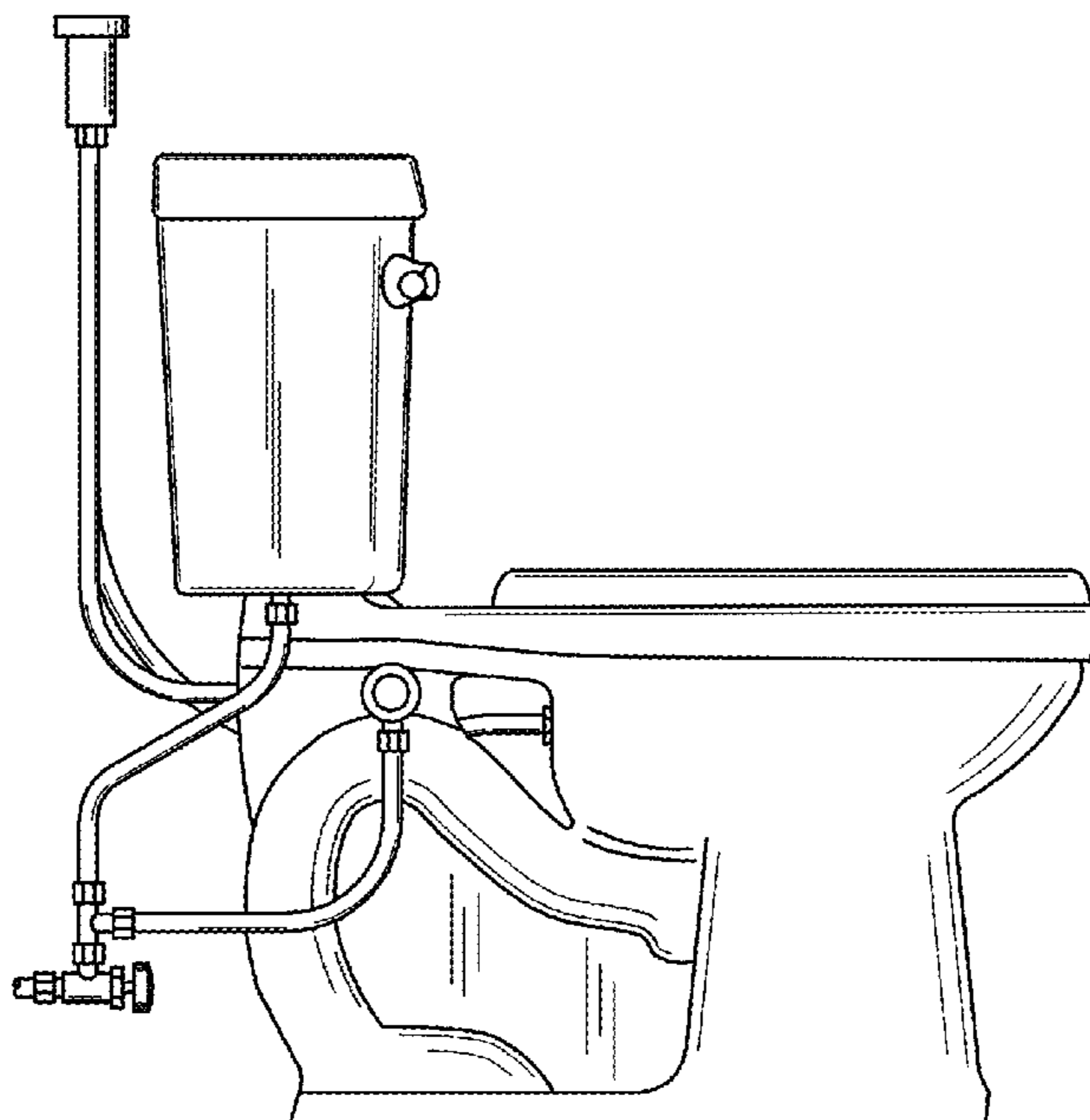
U.S. PATENT DOCUMENTS

2,344,561 A *	3/1944	Popil	E03D 9/08 248/278.1
2,762,058 A *	9/1956	Hurko	E03D 9/08 4/420.5
3,513,487 A *	5/1970	Palermo	E03D 9/08 4/420.4
4,181,985 A *	1/1980	Rius	E03D 9/08 4/420.4
4,383,339 A *	5/1983	Miller	E03D 9/08 4/420.4

DESCRIPTION

FIG. 1 is a left side view of a toilet bidet combination
showing my new design;
FIG. 2 is a front view of the toilet bidet combination;
FIG. 3 is a right side view of the toilet bidet combination;
and,
FIG. 4 is a top view of the toilet bidet combination.
Rear views and bottom views not shown are not part of the
design sought to be patented.

1 Claim, 2 Drawing Sheets



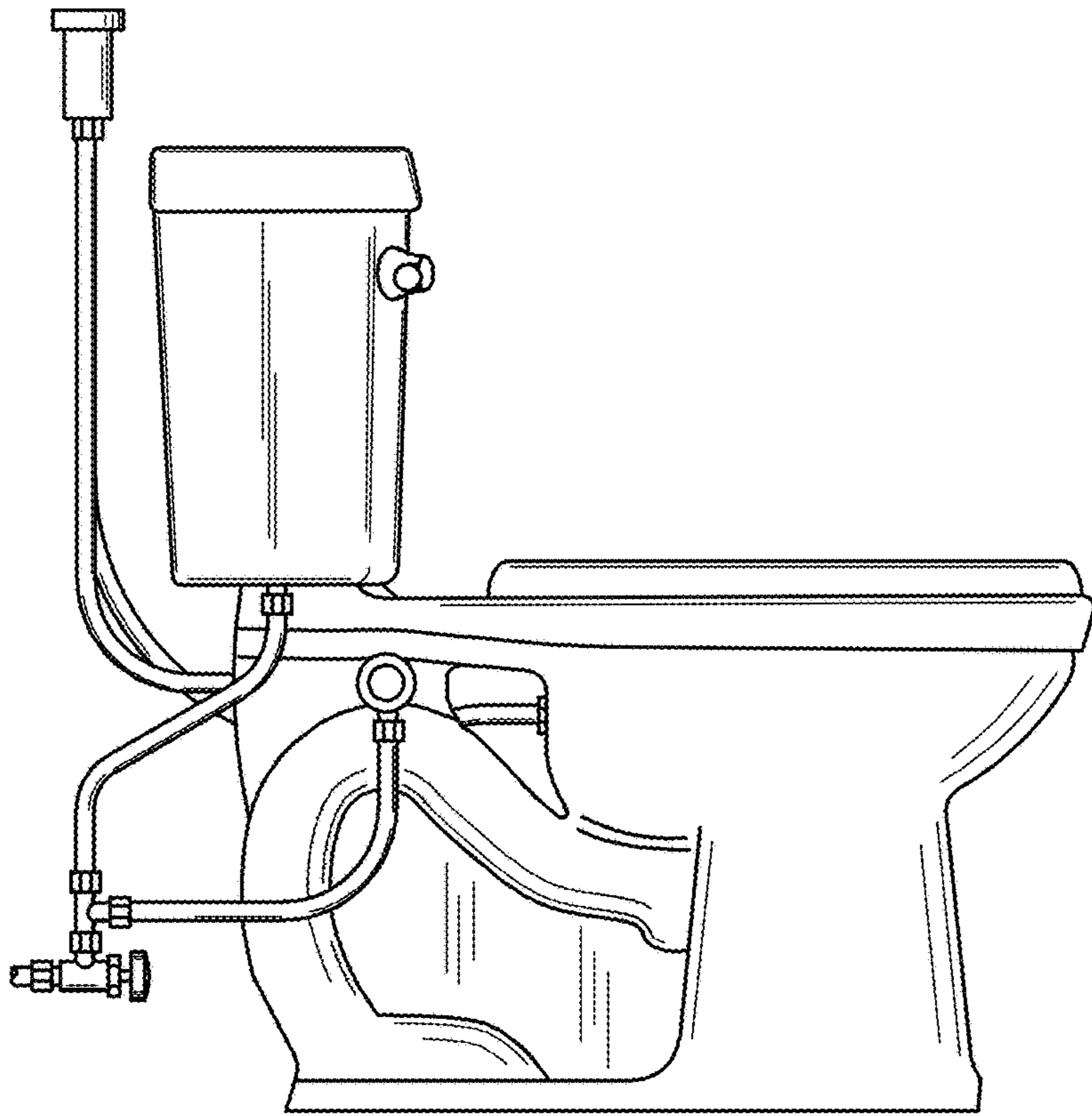


Fig. 1

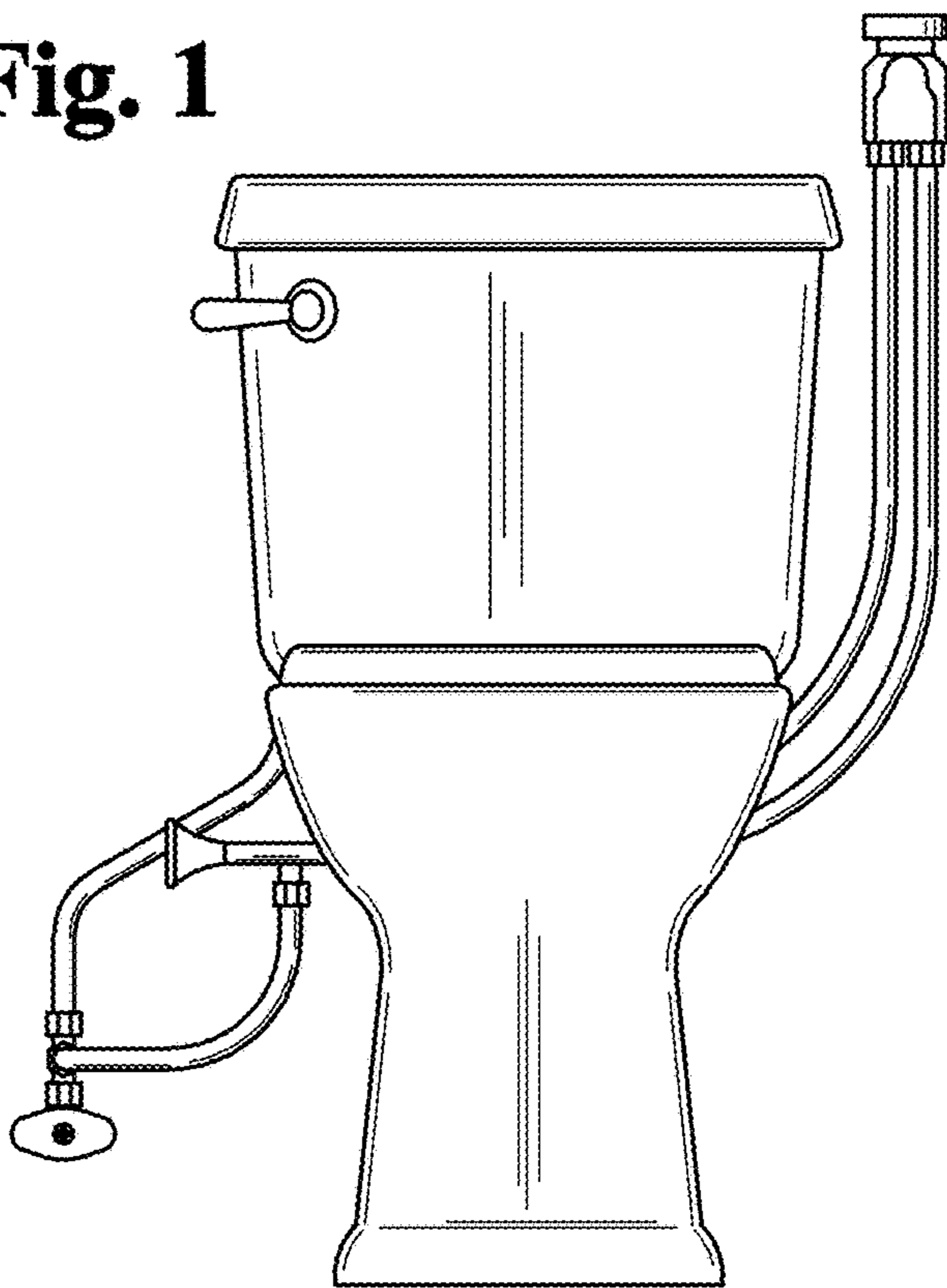


Fig. 2

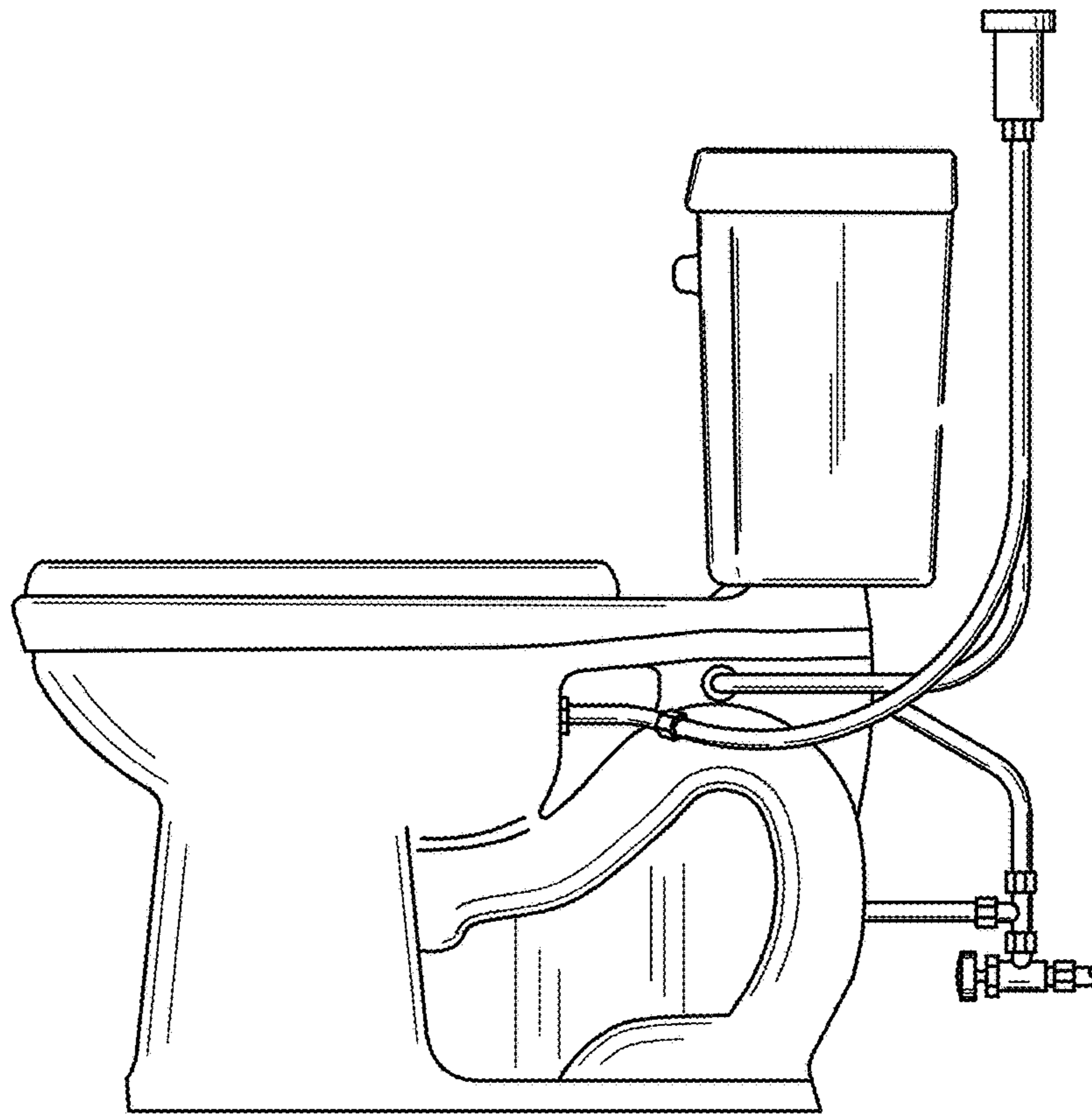


Fig. 3

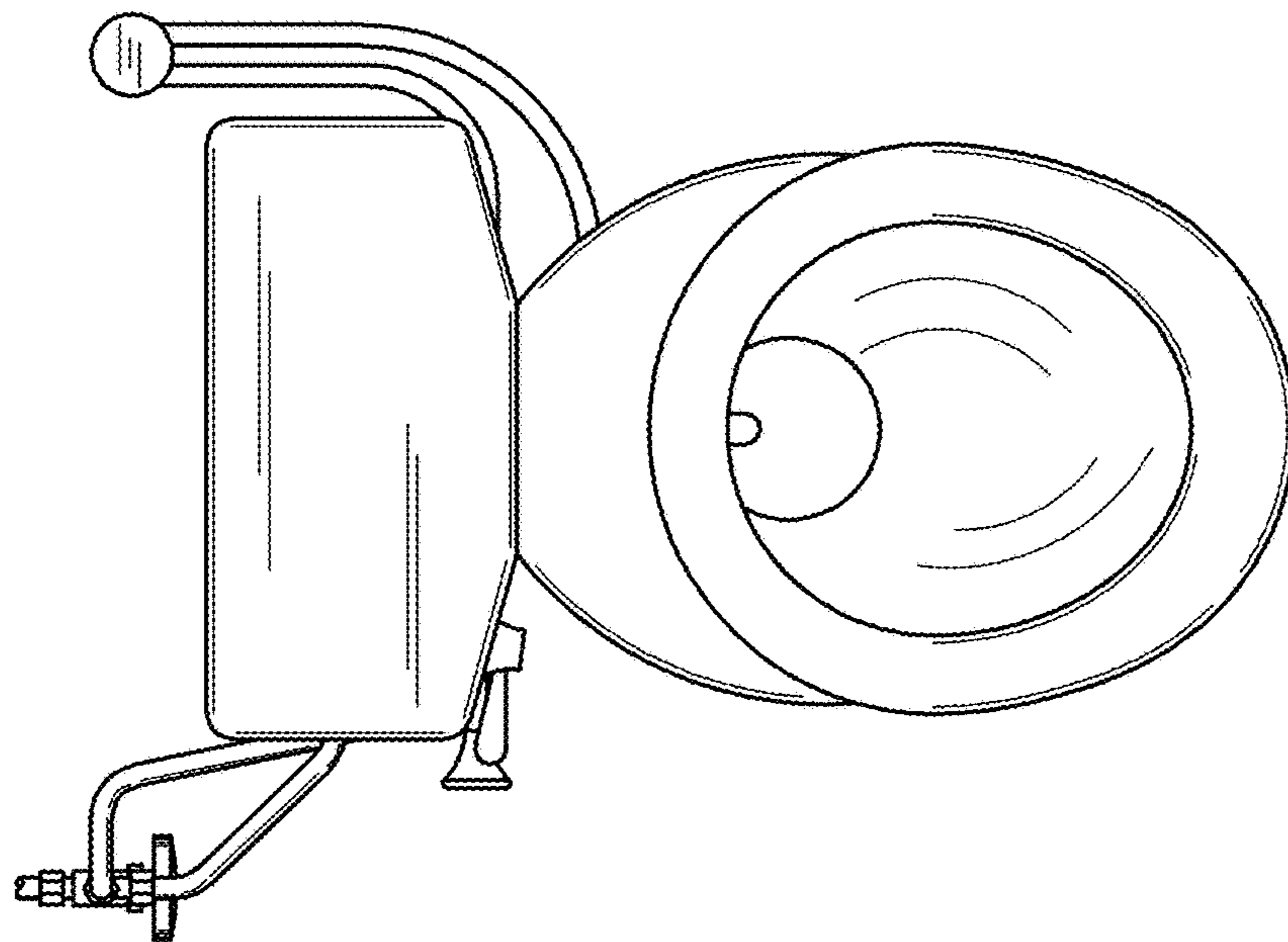


Fig. 4