



US00D795404S

(12) **United States Design Patent**
Tottenham

(10) **Patent No.:** **US D795,404 S**

(45) **Date of Patent:** **** Aug. 22, 2017**

(54) **CHILD'S TRAINING TOILET**

(71) Applicant: **Chauncia Tottenham**, Webster, TX
(US)

(72) Inventor: **Chauncia Tottenham**, Webster, TX
(US)

(**) Term: **15 Years**

(21) Appl. No.: **29/549,761**

(22) Filed: **Dec. 28, 2015**

(51) **LOC (10) Cl.** **23-02**

(52) **U.S. Cl.**
USPC **D23/296**

(58) **Field of Classification Search**
USPC D23/295-301, 303, 309, 313
CPC A47K 11/02; A47K 11/026
See application file for complete search history.

(56) **References Cited**

U.S. PATENT DOCUMENTS

D148,247	S	*	12/1947	Kirkpatrick	D23/296
5,008,964	A		4/1991	Dean et al.		
D345,202	S	*	3/1994	Crossley	D23/296
5,363,516	A	*	11/1994	Butts	A47K 11/06 4/483
5,369,820	A	*	12/1994	Blount	A47K 11/04 4/483
5,518,405	A		5/1996	Aiello		
D379,495	S	*	5/1997	Sidman	D23/296

D582,529	S	*	12/2008	Henshaw	D23/295
2003/0123330	A1		7/2003	Carter et al.		
2007/0220665	A1	*	9/2007	Deutsch	A47K 11/04 4/483
2012/0084909	A1	*	4/2012	Dunn	A47K 11/06 4/483

* cited by examiner

Primary Examiner — Robert M Spear

Assistant Examiner — John Voytek

(74) *Attorney, Agent, or Firm* — RG Patent Consulting,
LLC; Rachel Gilboy

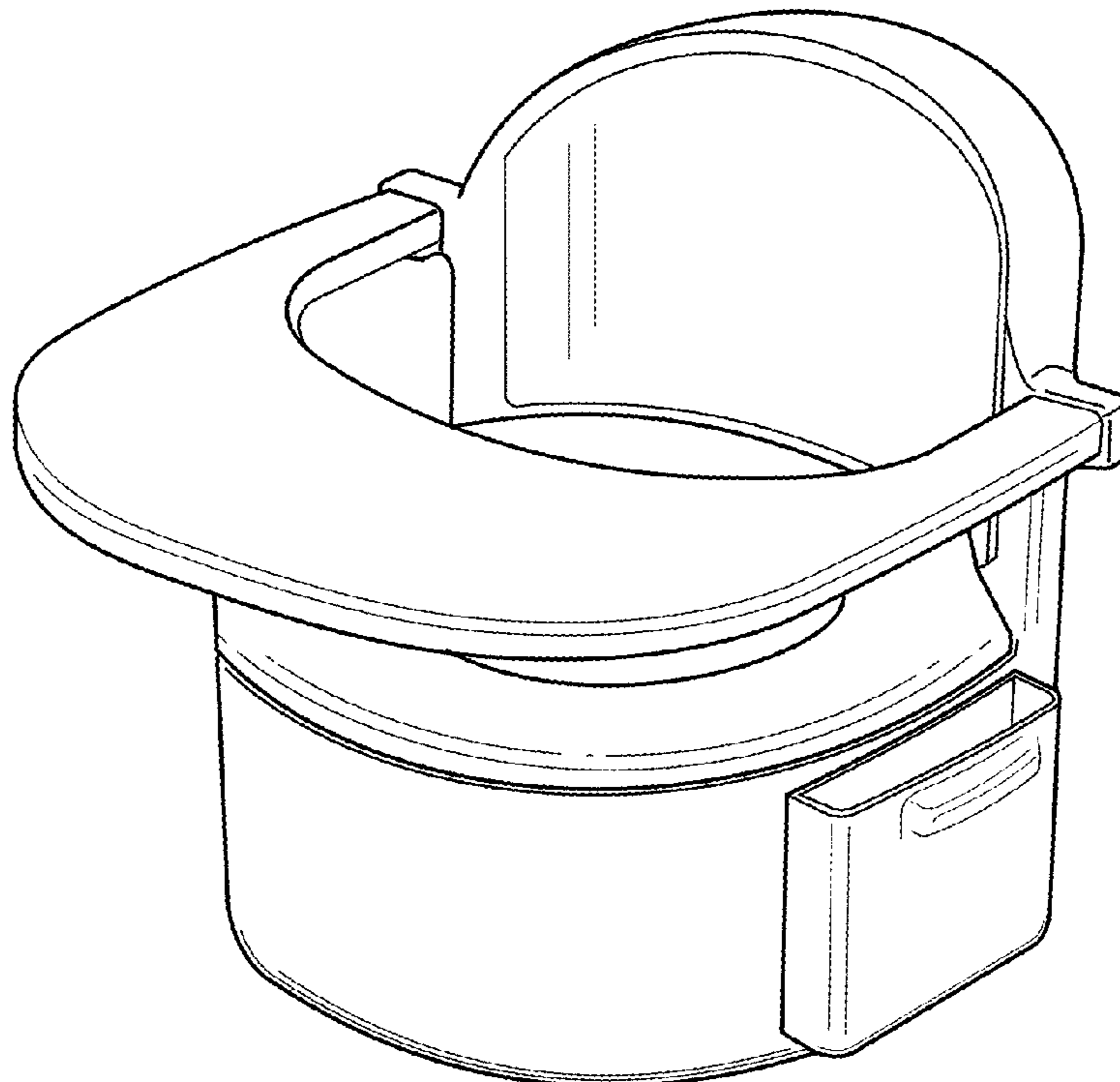
(57) **CLAIM**

The ornamental design for the child's training toilet, as described and shown.

DESCRIPTION

FIG. 1 is a perspective view of the child's training toilet showing my new design;
FIG. 2 is a front elevation view thereof;
FIG. 3 is a rear elevation view thereof;
FIG. 4 is a left elevation view thereof;
FIG. 5 is a right elevation view thereof;
FIG. 6 is a top plan view thereof; and,
FIG. 7 is a bottom plan view thereof.

1 Claim, 7 Drawing Sheets



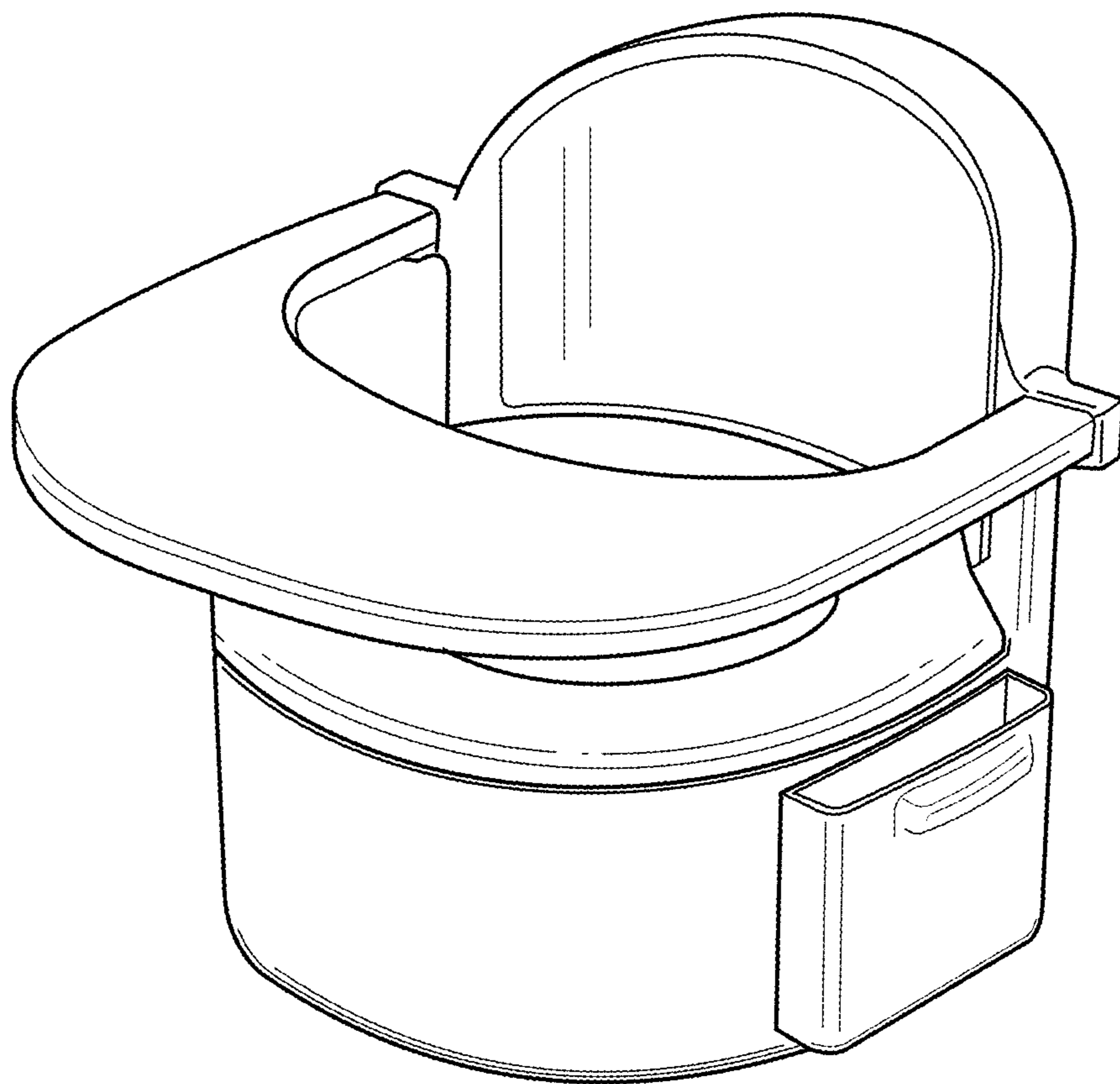


FIG. 1

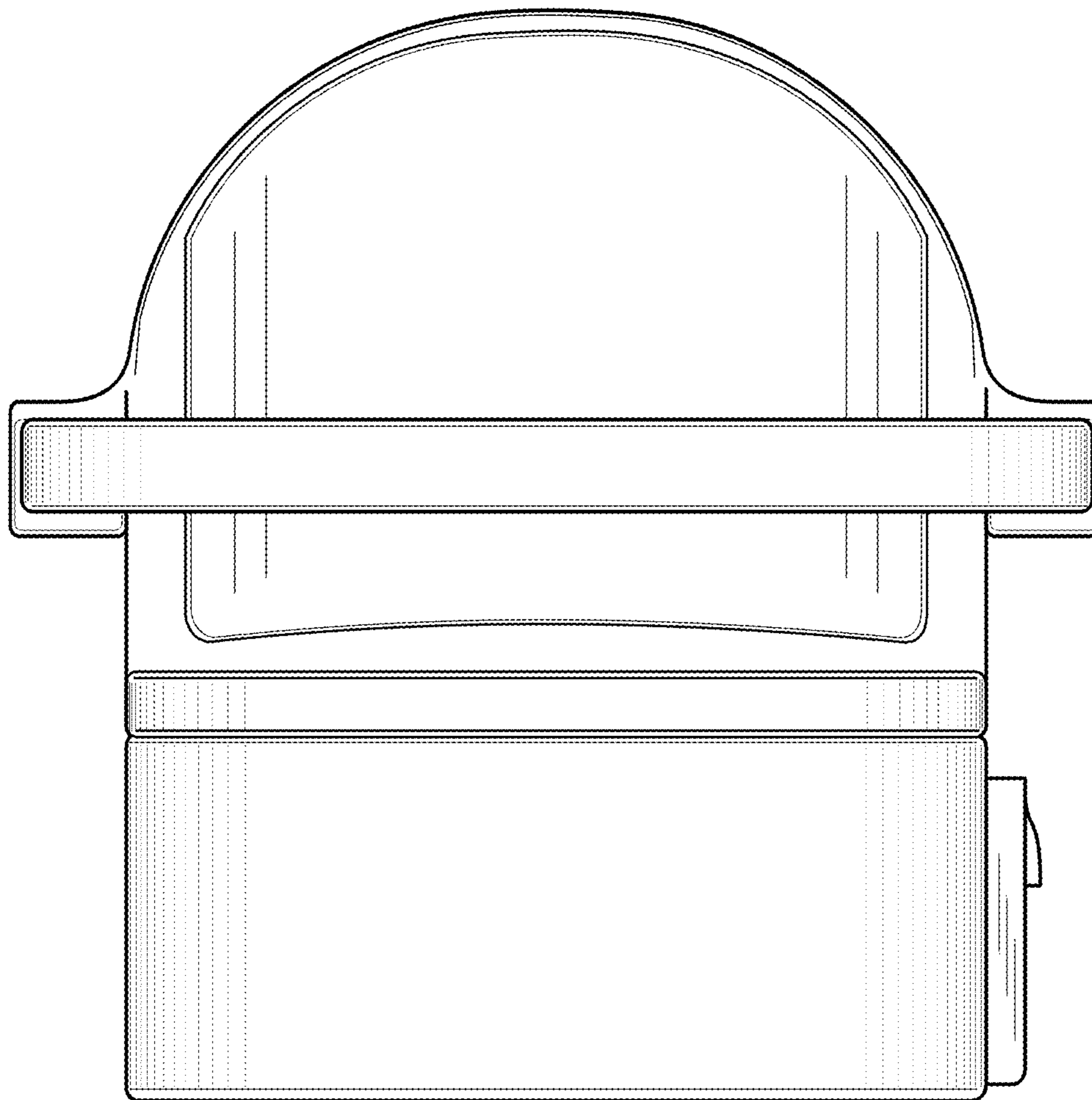


FIG. 2

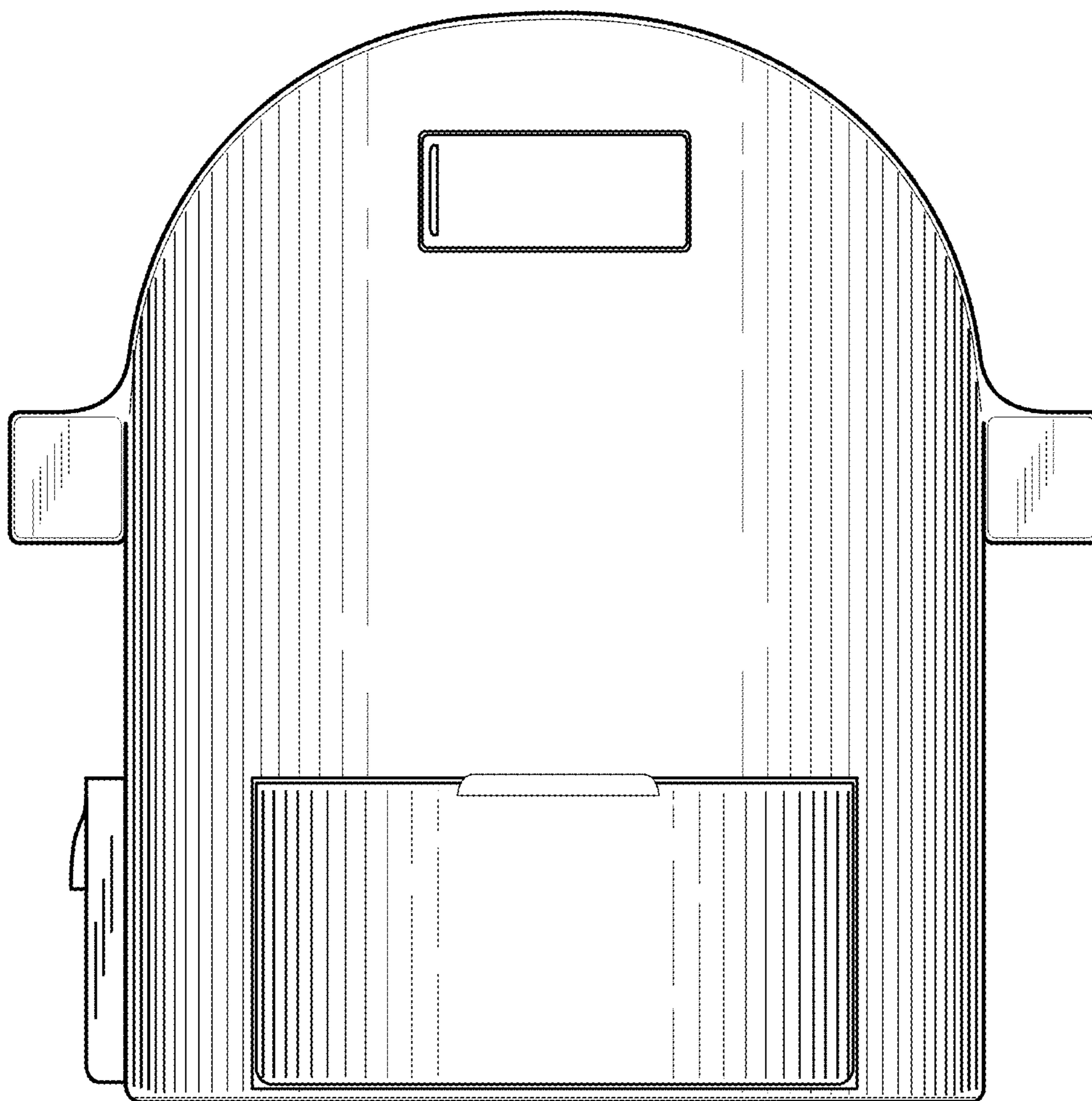


FIG. 3

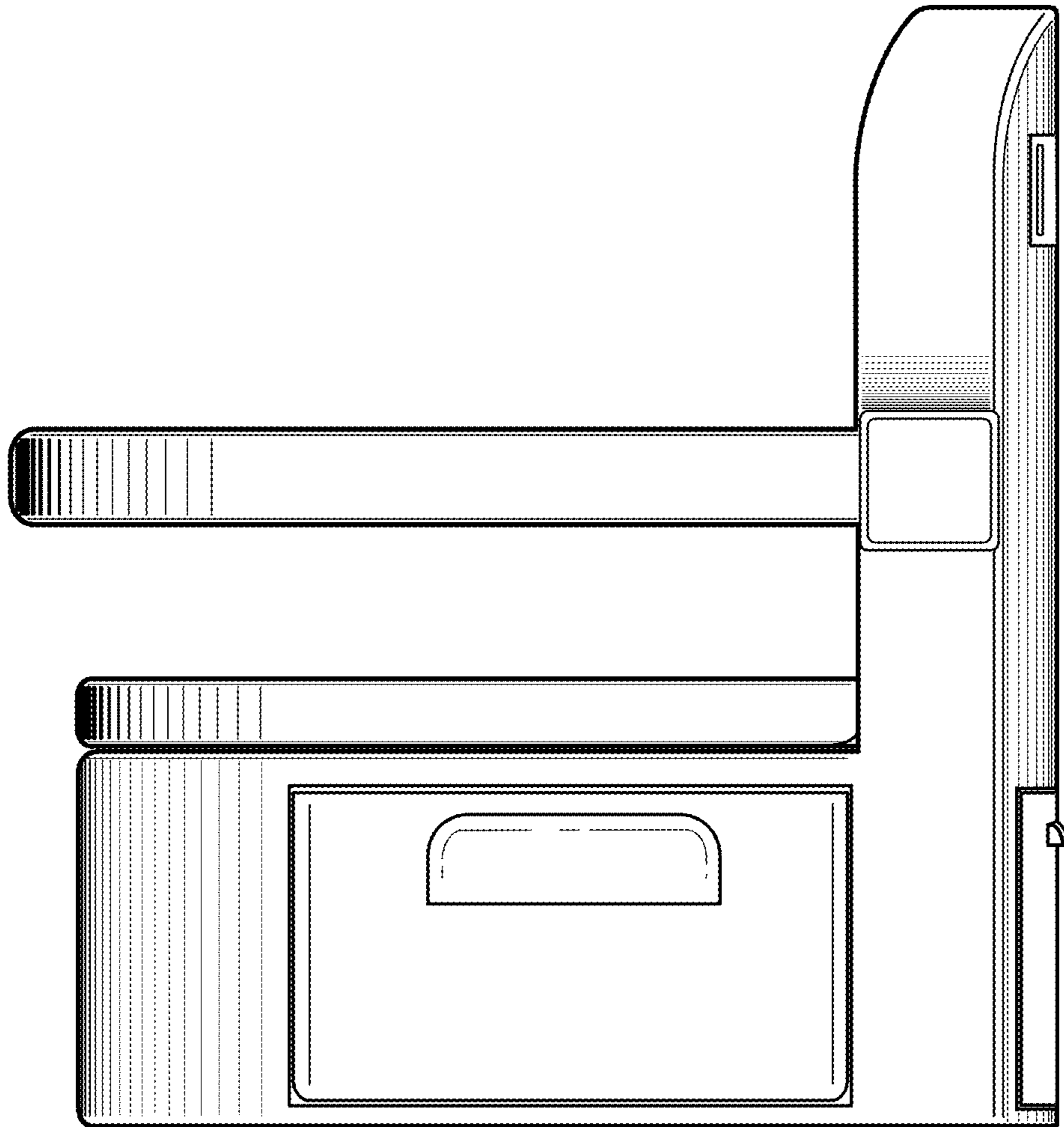


FIG. 4

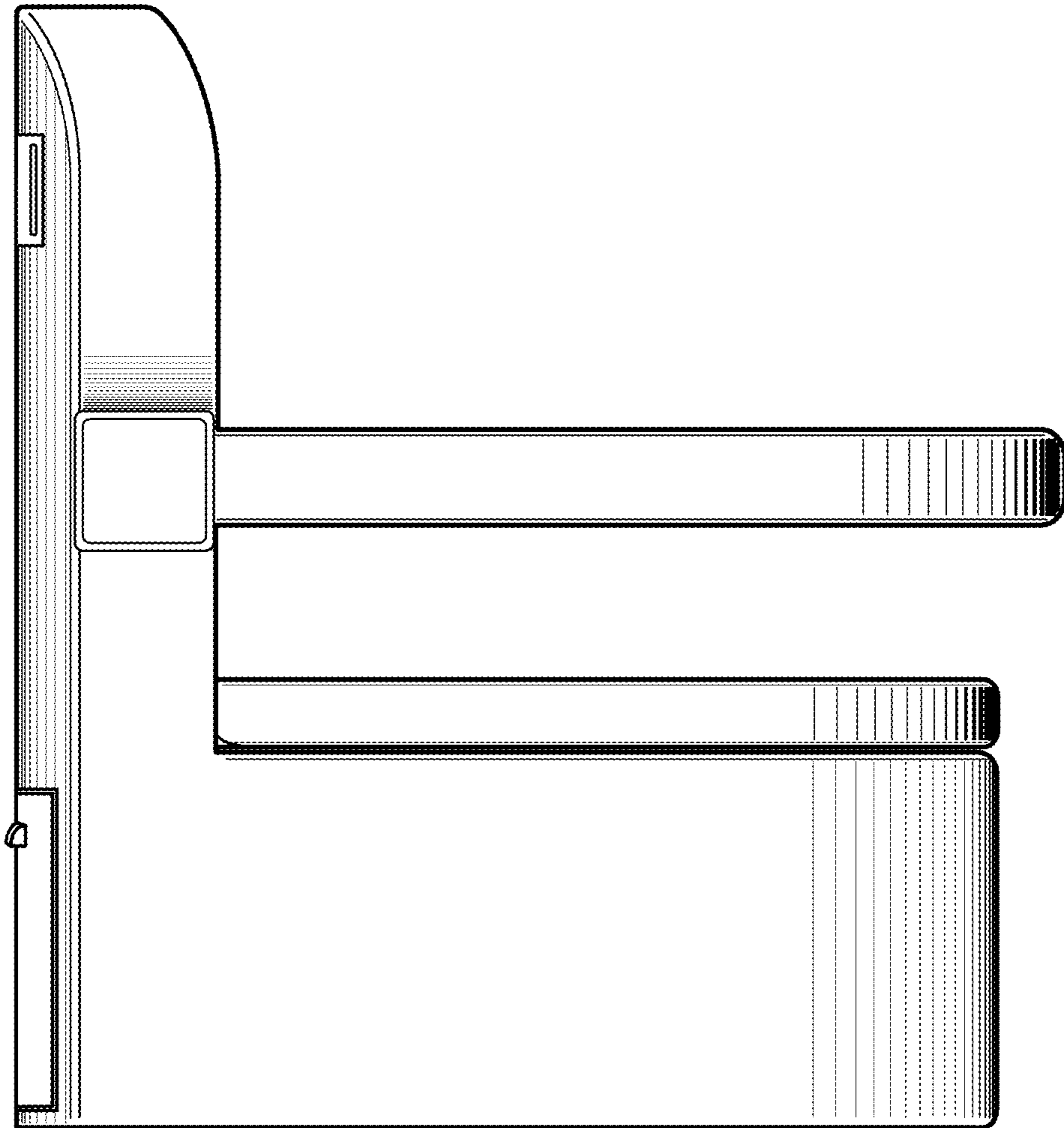


FIG. 5

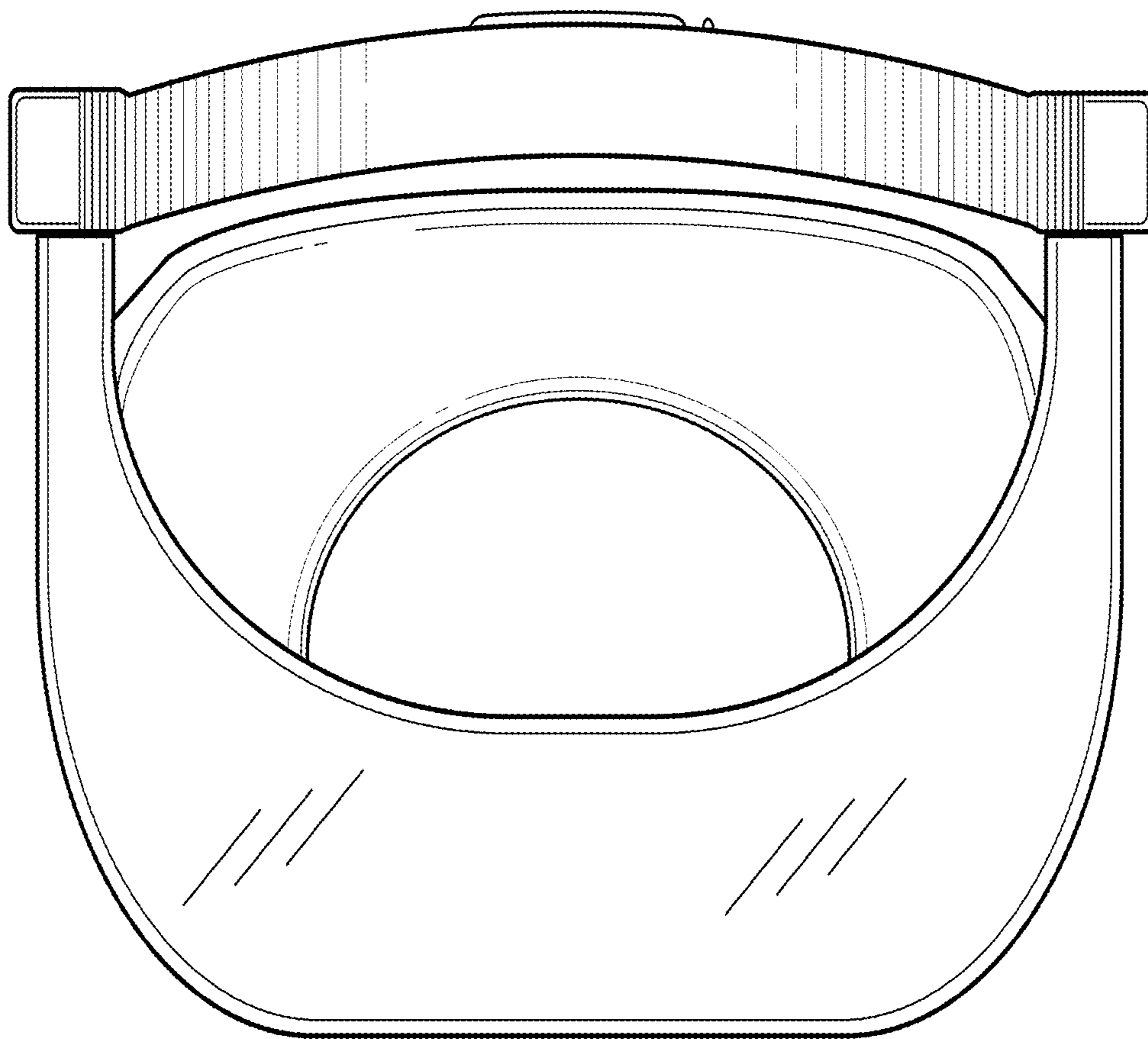


FIG. 6

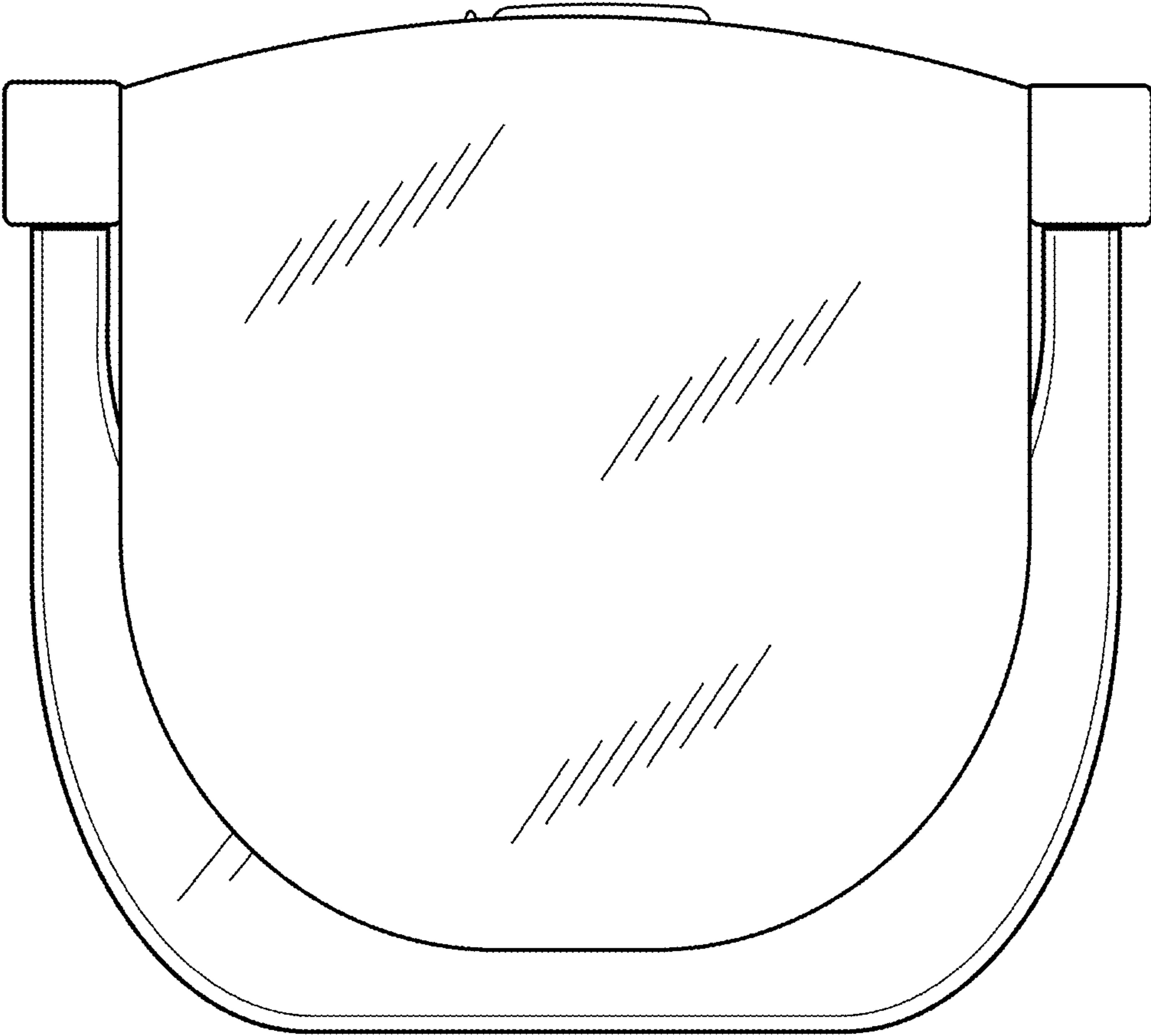


FIG. 7