



US00D795403S

(12) **United States Design Patent** (10) **Patent No.:** **US D795,403 S**
Imai et al. (45) **Date of Patent:** **** Aug. 22, 2017**

- (54) **TOILET BOWL**
- (71) Applicant: **LIXIL Corporation**, Koto-ku, Tokyo (JP)
- (72) Inventors: **Shigeo Imai**, Tokyo (JP); **Manabu Tago**, Yokohama (JP)
- (73) Assignee: **LIXIL CORPORATION**, Koto-Ku, Tokyo (JP)
- (**) Term: **15 Years**
- (21) Appl. No.: **29/558,719**
- (22) Filed: **Mar. 21, 2016**
- (30) **Foreign Application Priority Data**
- Sep. 25, 2015 (JP) 2015-021112
- (51) **LOC (10) Cl.** **23-02**
- (52) **U.S. Cl.**
USPC **D23/295**
- (58) **Field of Classification Search**
USPC D23/295-301, 303, 309, 313
CPC E03D 11/08; E03D 11/18
See application file for complete search history.
- (56) **References Cited**
- U.S. PATENT DOCUMENTS
- D274,747 S * 7/1984 Kaiser D23/295
D275,221 S * 8/1984 Enthoven D23/295
D304,072 S * 10/1989 Stewart D23/295
D444,217 S * 6/2001 McMahon D23/295

- D485,604 S * 1/2004 Good D23/295
D506,247 S * 6/2005 Nagoya D23/299
D509,288 S * 9/2005 Gordon D23/295
D576,716 S * 9/2008 Kaule D23/295
D590,482 S * 4/2009 Kleppen D23/295
D599,450 S * 9/2009 Warfaa D23/296
D658,277 S * 4/2012 Iranyi D23/295
D713,019 S * 9/2014 Gatarz D23/309

* cited by examiner

Primary Examiner — Robert M Spear
Assistant Examiner — John Voytek
(74) *Attorney, Agent, or Firm* — Cantor Colburn LLP

(57) **CLAIM**

The ornamental design for a toilet bowl, as shown and described.

DESCRIPTION

FIG. 1 is a perspective view of a toilet bowl showing our new design;
FIG. 2 is a front view thereof: the rear view being a mirror image thereof;
FIG. 3 is a top view thereof;
FIG. 4 is a bottom view thereof;
FIG. 5 is a right side view thereof, the left side view being a mirror image thereof;
FIG. 6 is 6-6 cross section view thereof; and,
FIG. 7 is 7-7 cross section view thereof.
In the drawings, the broken lines depict environmental subject matter only and form no part of the claimed design.

1 Claim, 7 Drawing Sheets

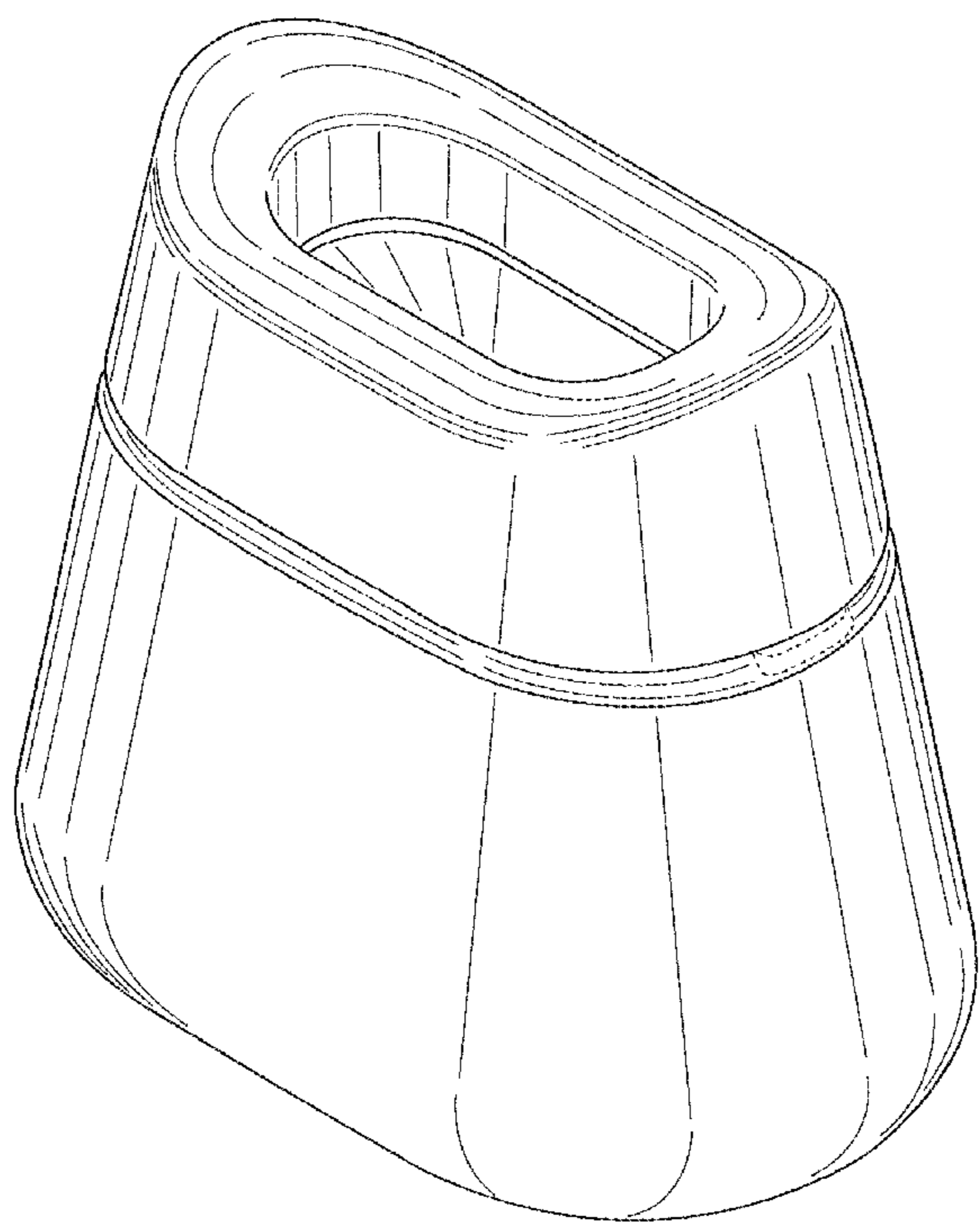


FIG. 1

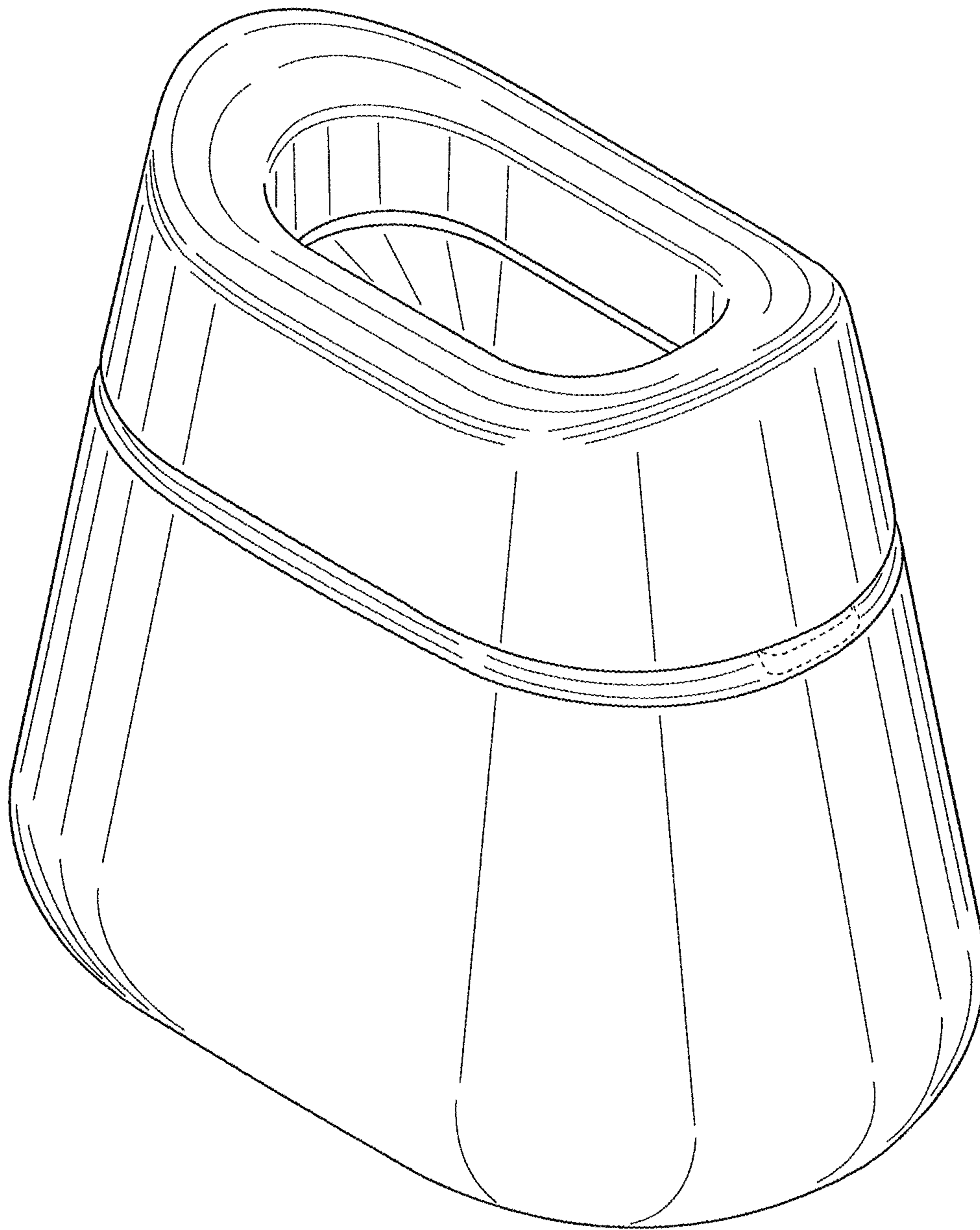


FIG. 2

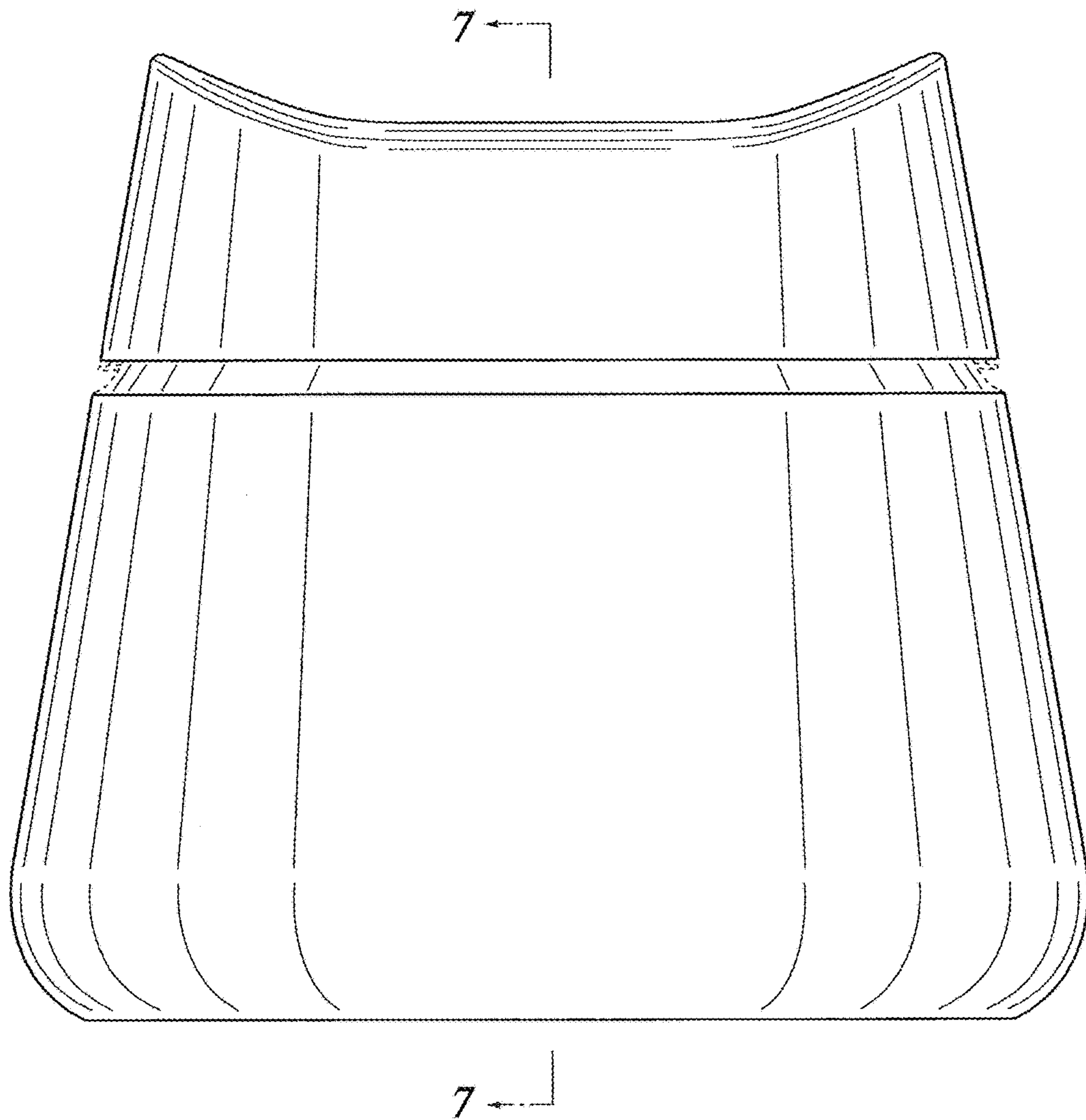


FIG. 3

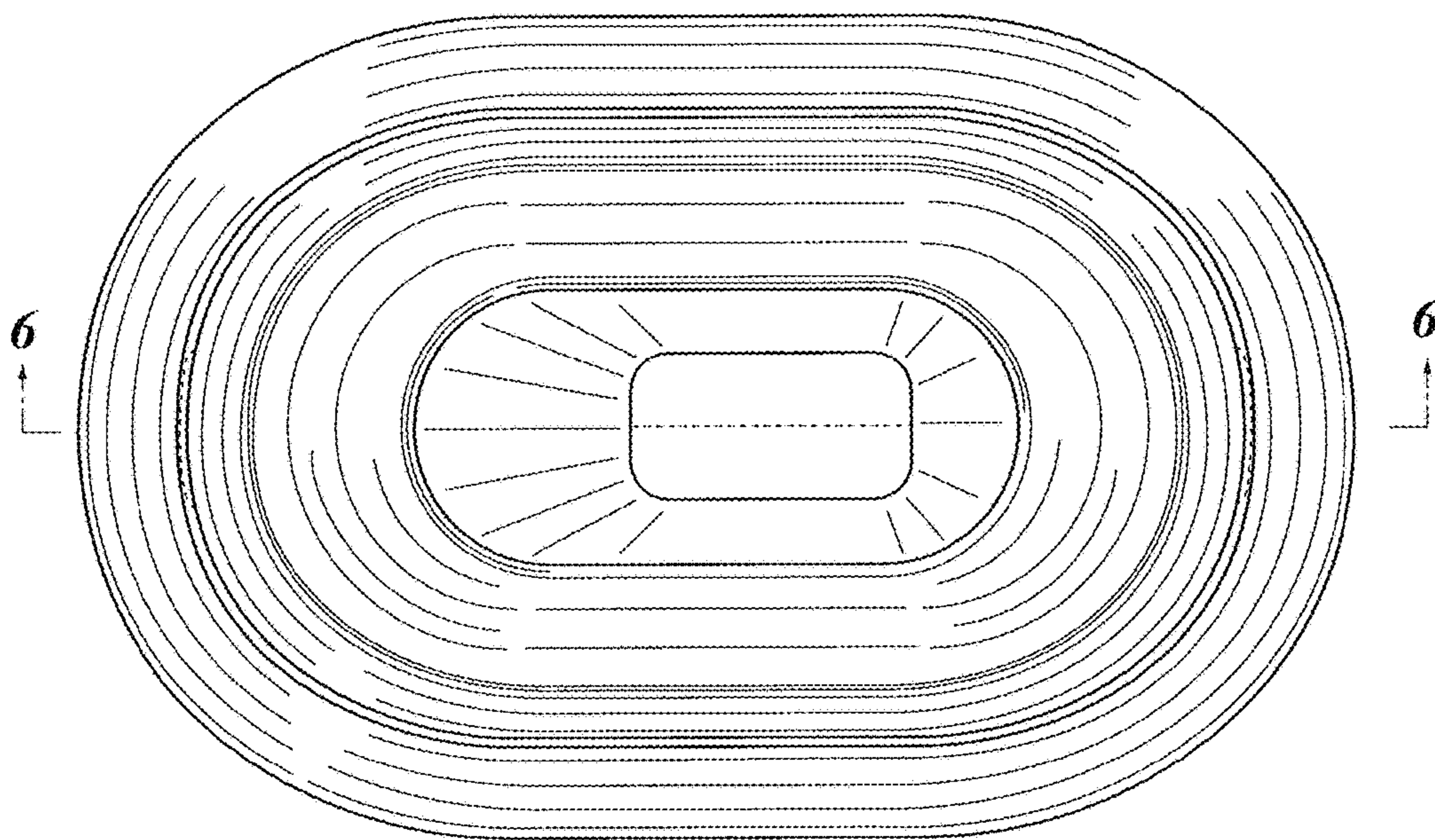


FIG. 4

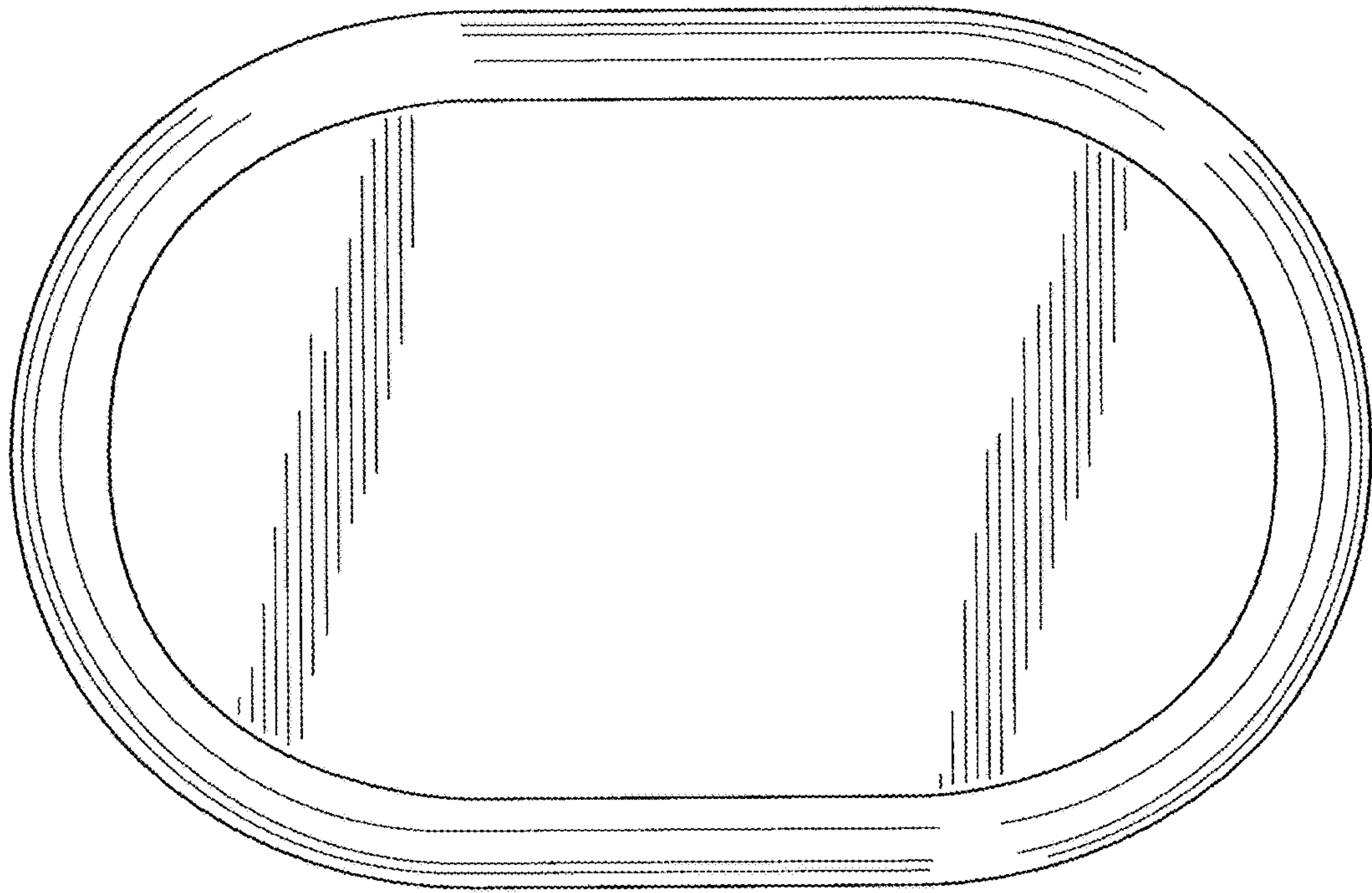


FIG. 5

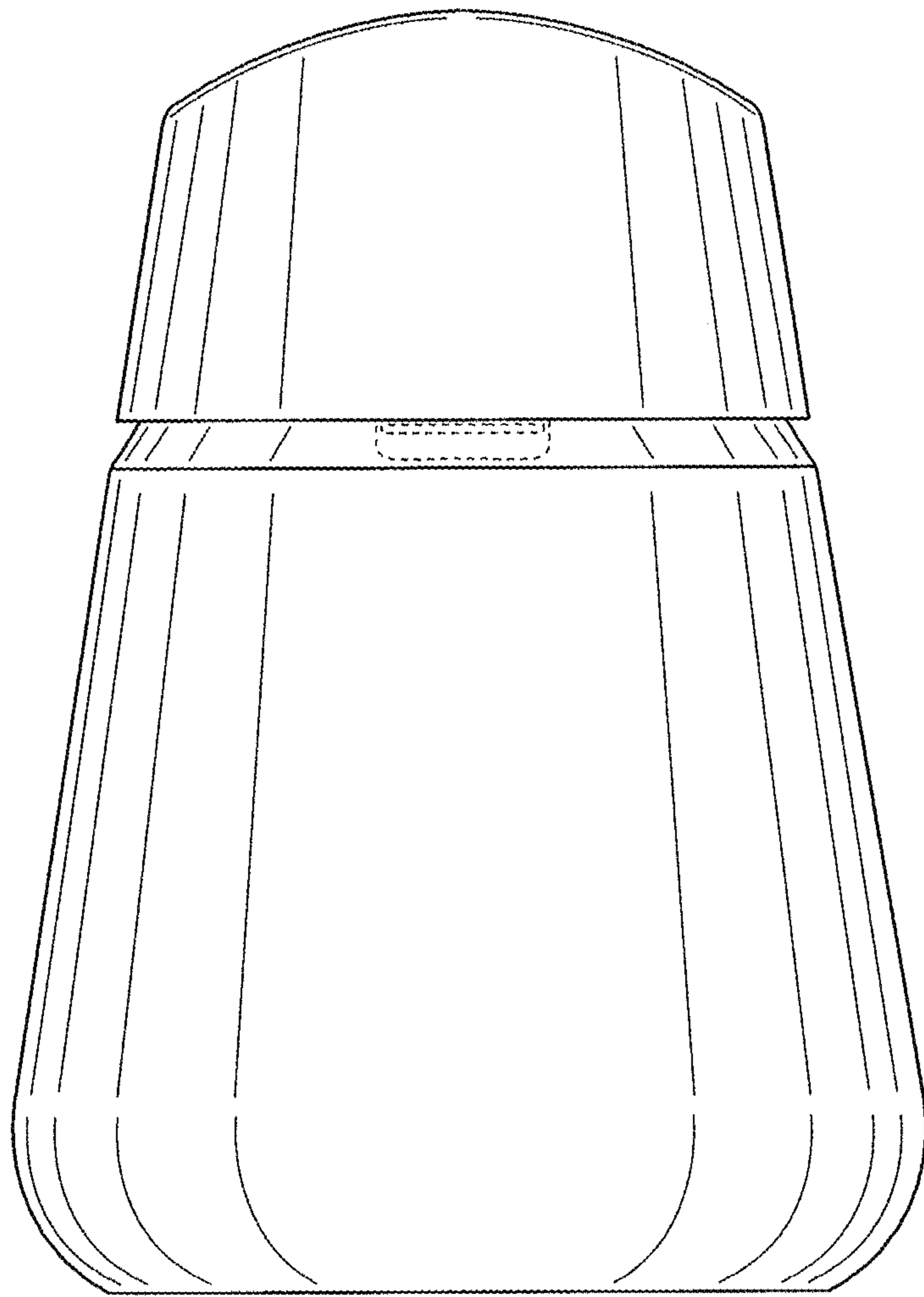


FIG. 6

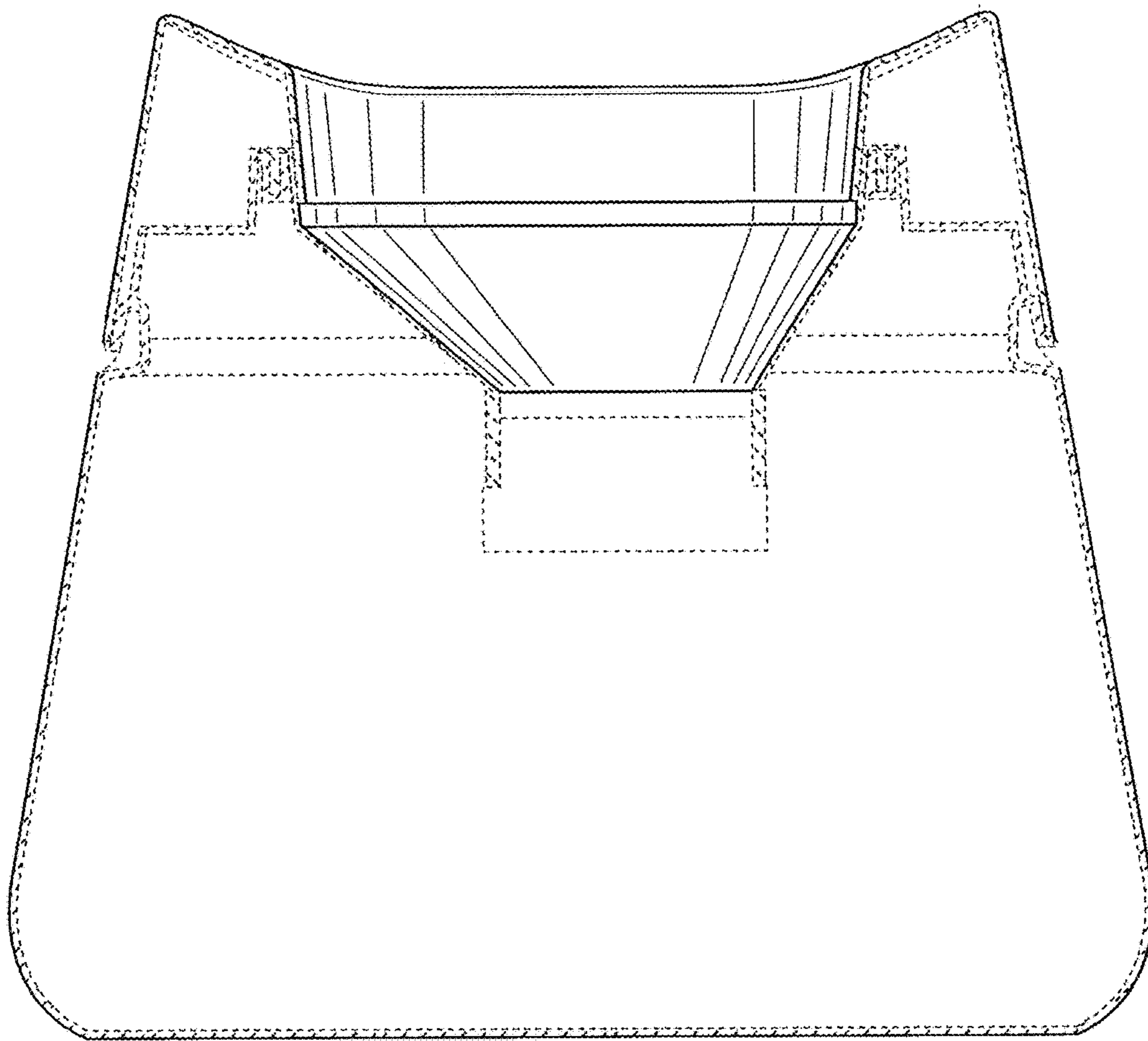


FIG. 7

