



US00D795402S

(12) **United States Design Patent**
Breda

(10) **Patent No.:** **US D795,402 S**

(45) **Date of Patent:** **** Aug. 22, 2017**

(54) **SINK**

(71) Applicant: **Foremost Groups, Inc.**, East Hanover, NJ (US)

(72) Inventor: **Victor Andrew Breda**, Ontario (CA)

(73) Assignee: **Foremost Groups, Inc.**, East Hanover, NJ (US)

(**) Term: **15 Years**

(21) Appl. No.: **29/567,213**

(22) Filed: **Jun. 7, 2016**

(51) **LOC (10) Cl.** **23-02**

(52) **U.S. Cl.**
USPC **D23/284**

(58) **Field of Classification Search**
USPC D23/284-293.1, 303, 308
CPC A47K 1/04; A47B 77/06; A47J 47/20
See application file for complete search history.

(56) **References Cited**

U.S. PATENT DOCUMENTS

D387,857 S	*	12/1997	McKeone	D23/284
D542,386 S	*	5/2007	Tani	D23/292
D585,116 S	*	1/2009	Thalman Gomez	D23/284
D588,242 S	*	3/2009	Hanna	D23/284
D622,825 S	*	8/2010	LeTourneau	D23/284

D634,823 S	*	3/2011	Grazioli	D23/284
D645,125 S	*	9/2011	Palomba	D23/284
D645,548 S	*	9/2011	Ando	D23/284
D645,946 S	*	9/2011	Guzman Salazar	D23/284

* cited by examiner

Primary Examiner — Robert M Spear

Assistant Examiner — John Voytek

(74) *Attorney, Agent, or Firm* — Drinker Biddle & Reath LLP

(57) **CLAIM**

The ornamental design for a sink, as shown and described.

DESCRIPTION

FIG. 1 is a perspective view of a sink according to the present invention.

FIG. 2 is a top view of the sink of FIG. 1.

FIG. 3 is a bottom view of the sink of FIG. 1.

FIG. 4 is a front view of the sink of FIG. 1.

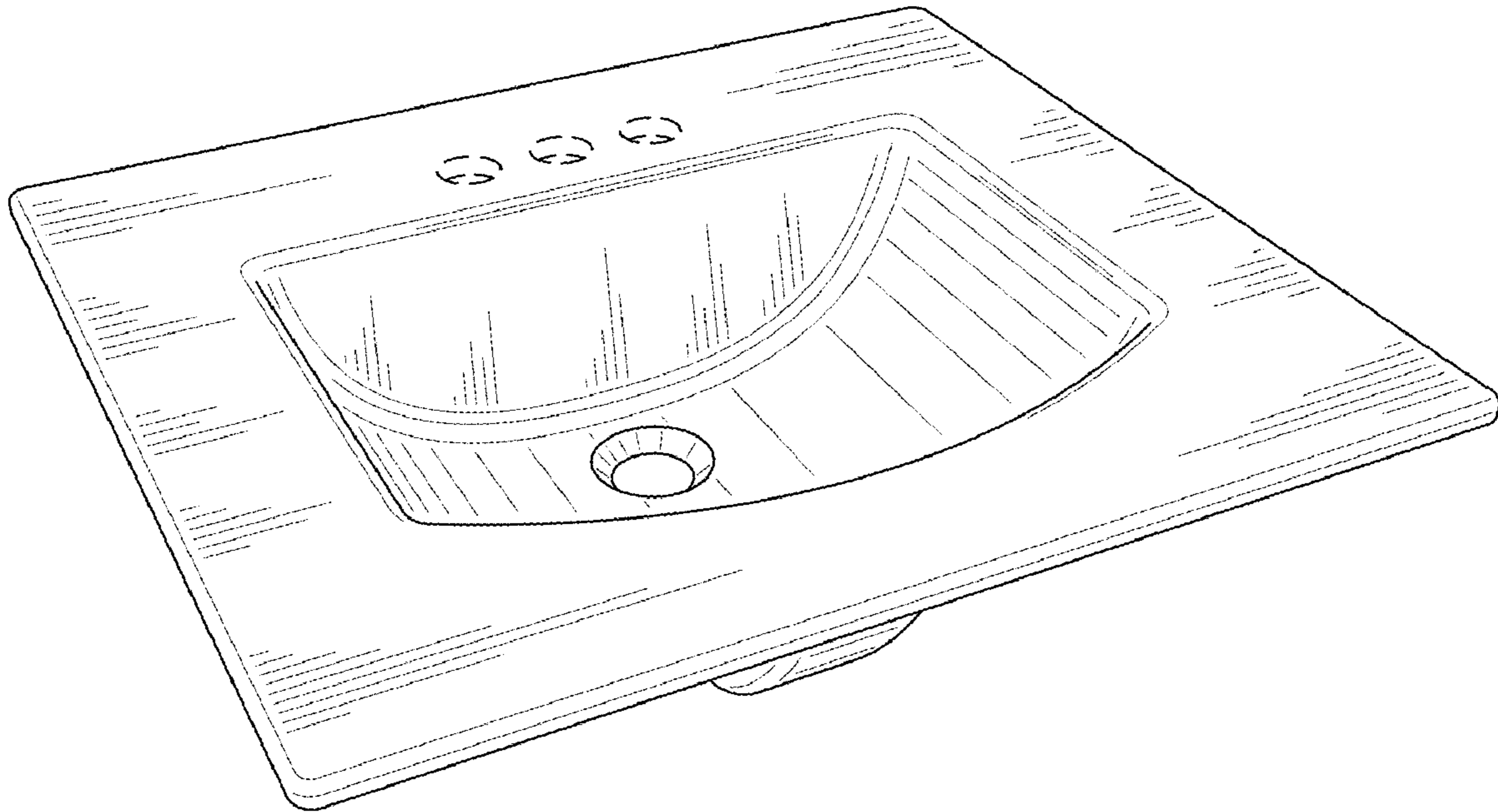
FIG. 5 is a rear view of the sink of FIG. 1.

FIG. 6 is a right side view of the sink of FIG. 1; and,

FIG. 7 is a left side view of the sink of FIG. 1.

The broken lines shown in the drawings illustrate environmental subject matter only and form no part of the claimed design.

1 Claim, 4 Drawing Sheets



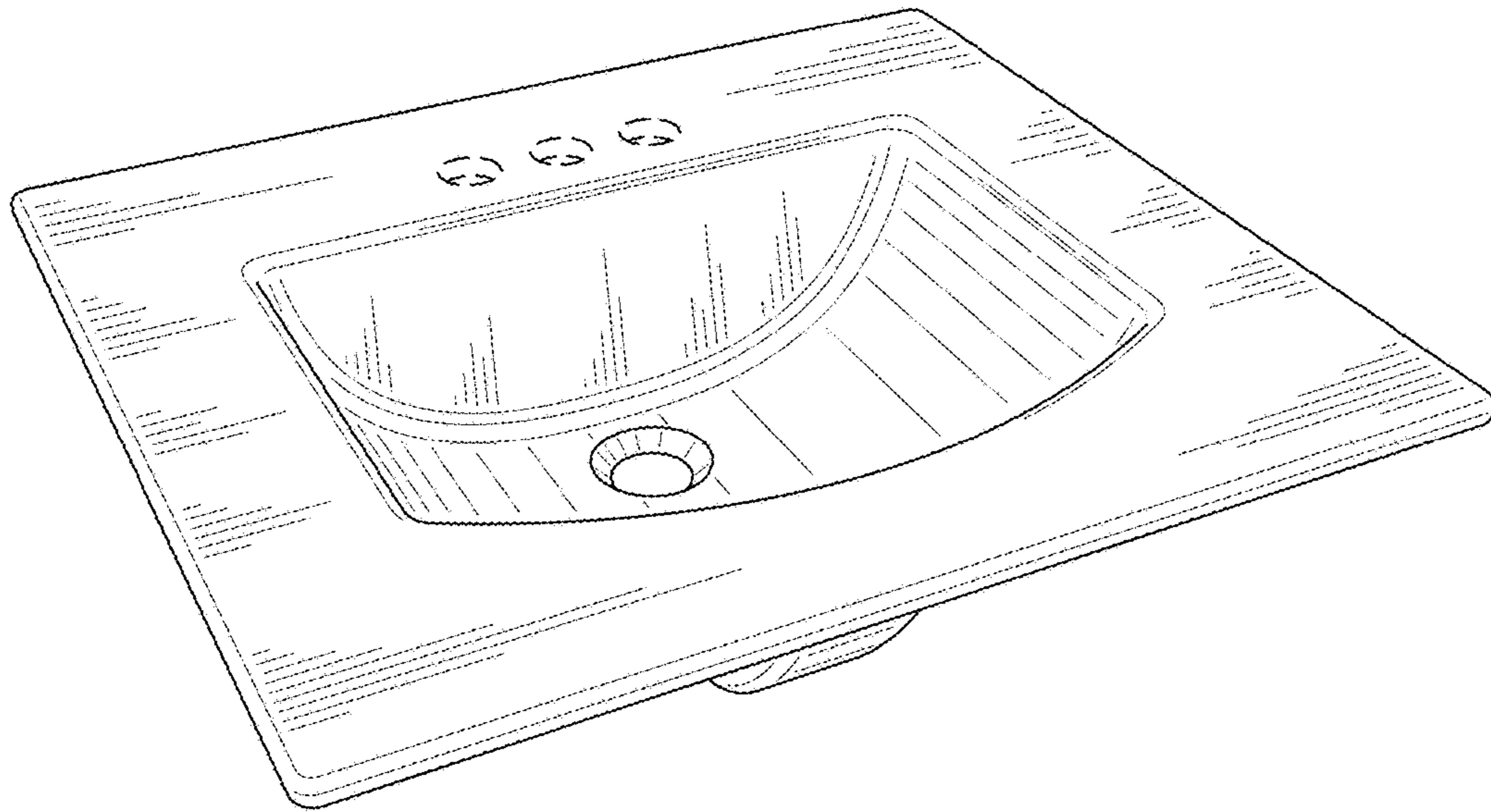


FIG. 1

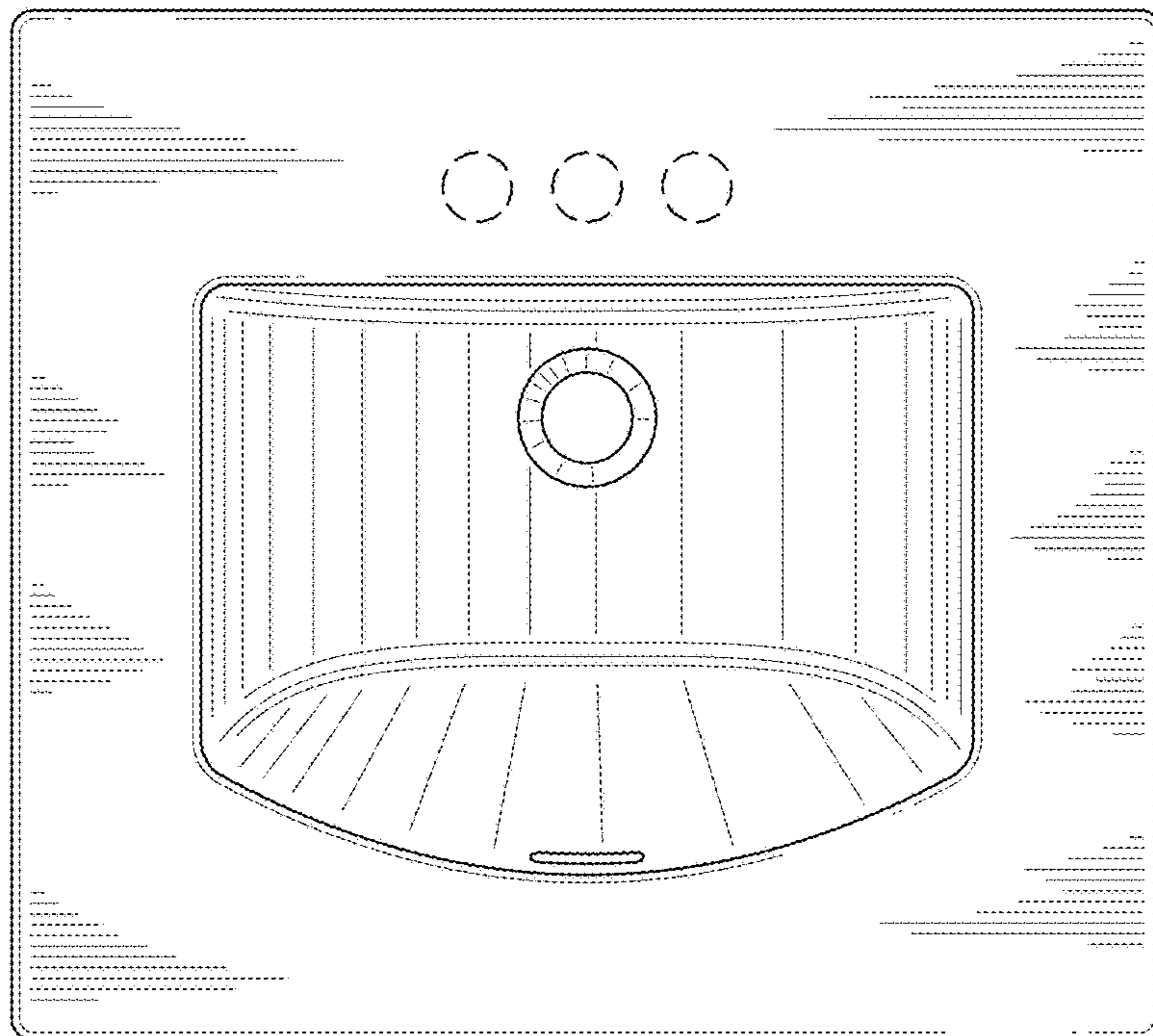


FIG. 2

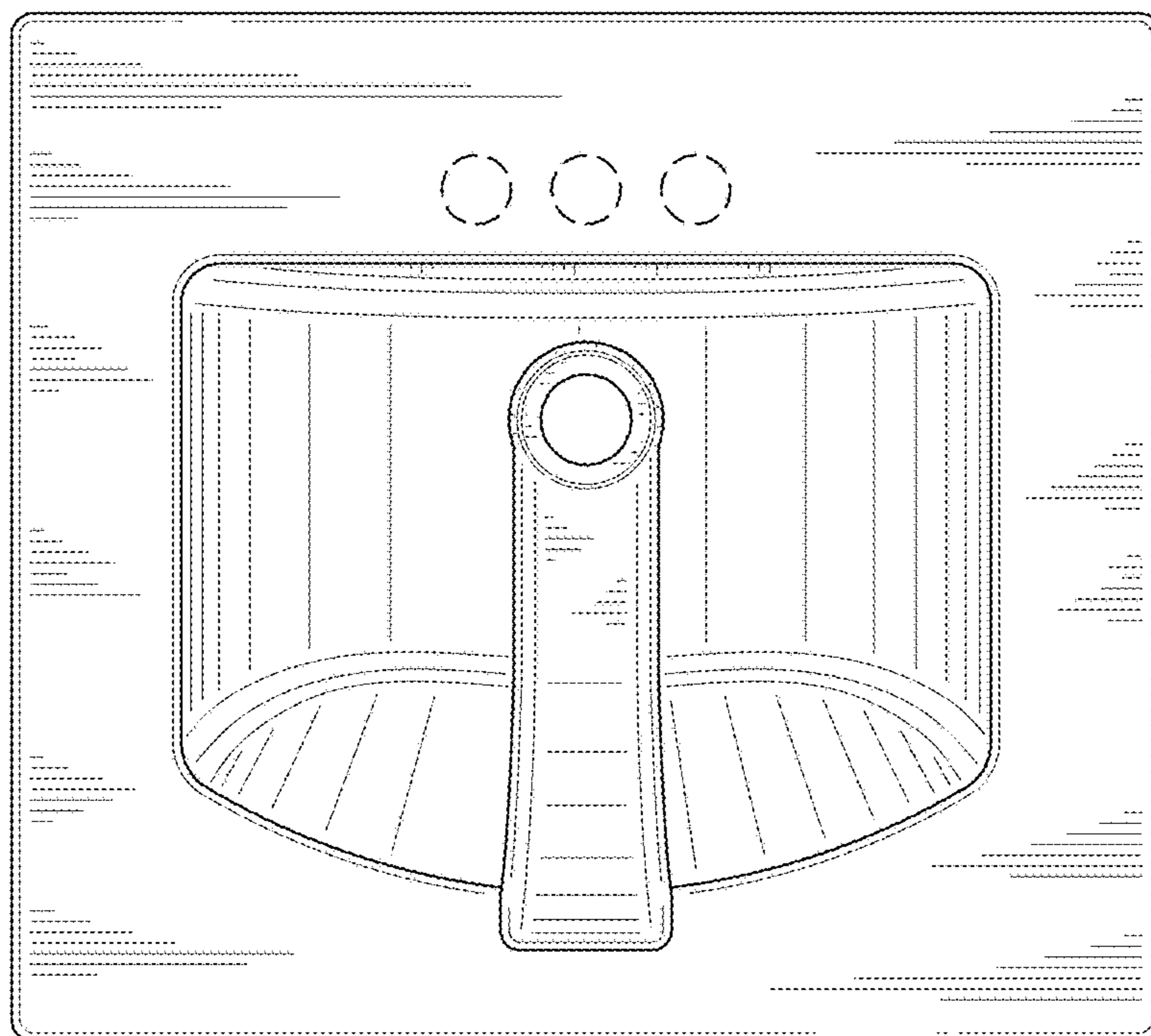


FIG. 3

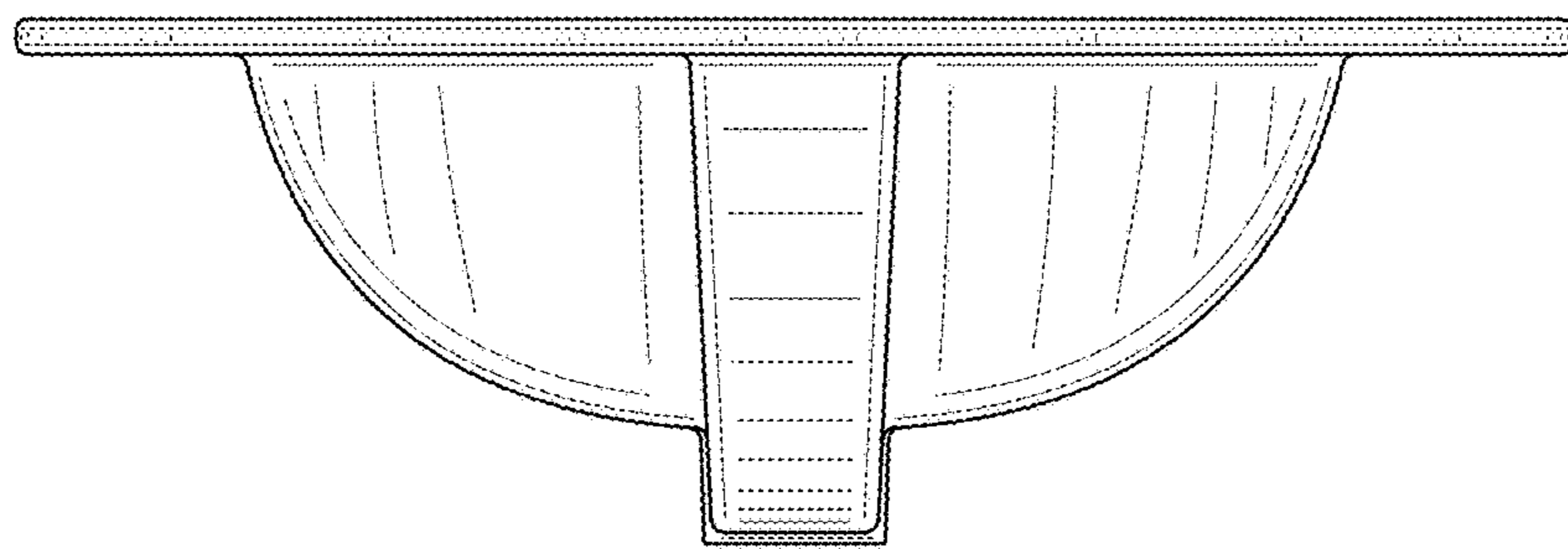


FIG. 4

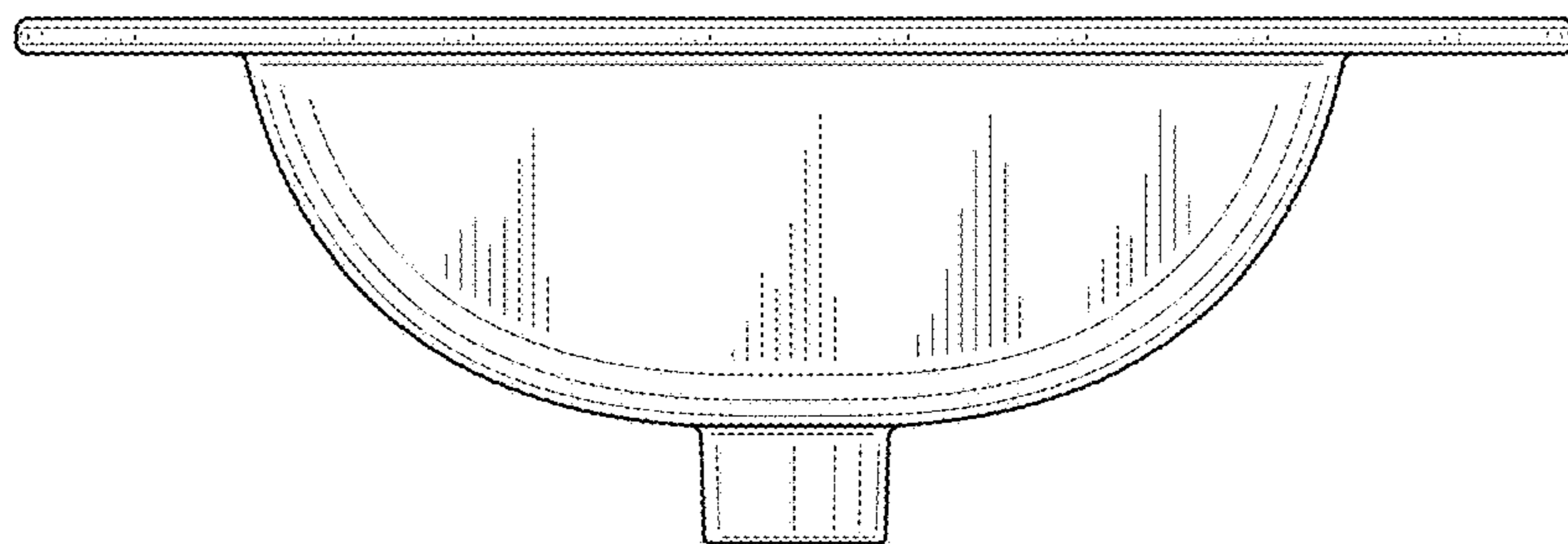


FIG. 5

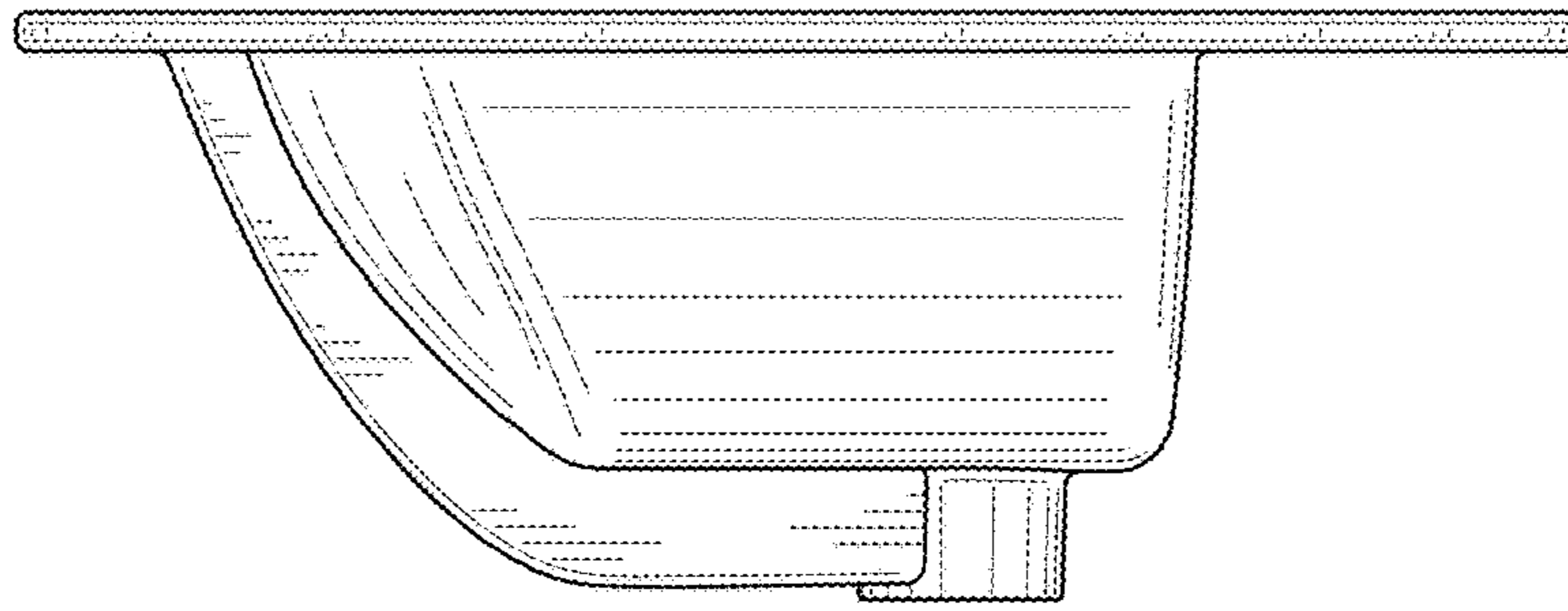


FIG. 6

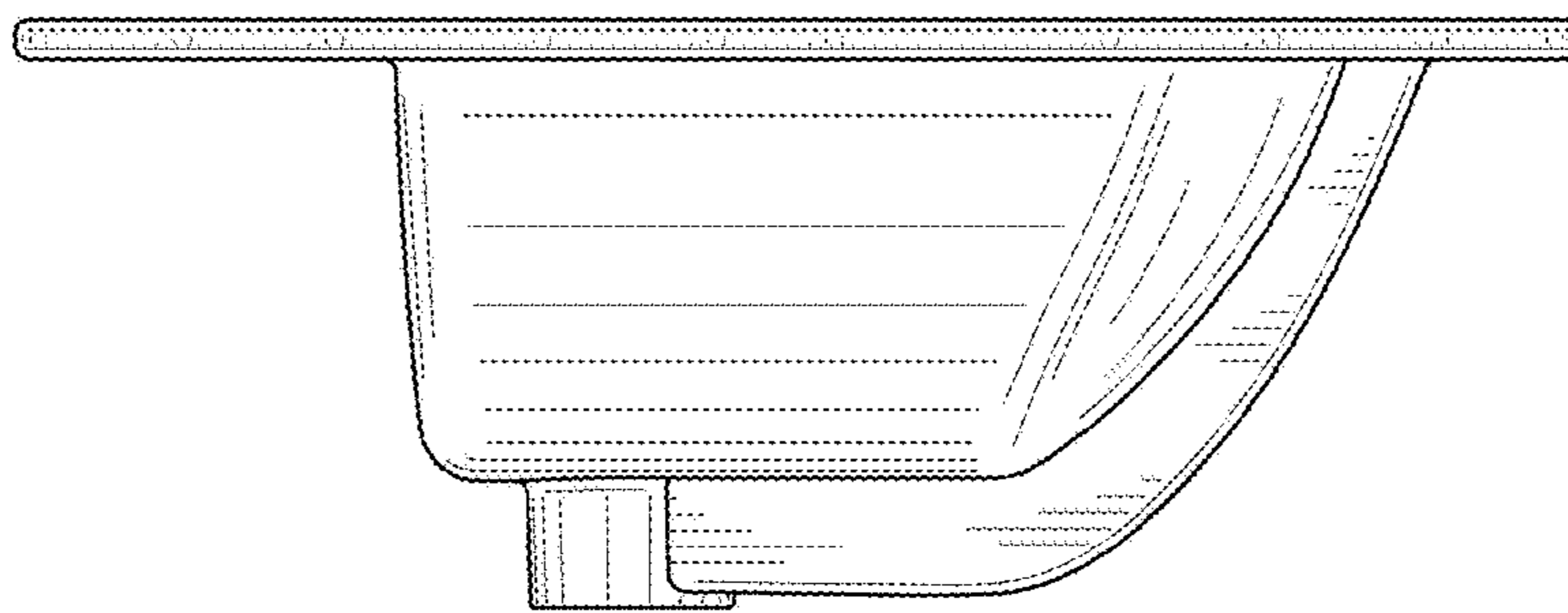


FIG. 7