



US00D795400S

(12) **United States Design Patent**
Nishida

(10) **Patent No.:** **US D795,400 S**

(45) **Date of Patent:** **** Aug. 22, 2017**

(54) **UNIT BATH**

(71) Applicant: **Norimasa Nishida**, Tokyo (JP)

(72) Inventor: **Norimasa Nishida**, Tokyo (JP)

(**) Term: **15 Years**

(21) Appl. No.: **29/537,794**

(22) Filed: **Aug. 28, 2015**

(30) **Foreign Application Priority Data**

Mar. 3, 2015 (JP) 2015-004634

(51) **LOC (10) Cl.** **23-02**

(52) **U.S. Cl.**
USPC **D23/277**

(58) **Field of Classification Search**
USPC D23/277, 280.1, 275, 273, 303-306
CPC A47K 3/02; A47K 3/001
See application file for complete search history.

(56) **References Cited**

U.S. PATENT DOCUMENTS

- 1,582,881 A * 4/1926 Kraemer A47K 3/20
4/557
- 3,015,110 A * 1/1962 Treand A47K 4/00
4/663
- D207,301 S * 4/1967 Blevio D23/273
- 3,371,354 A * 3/1968 Hayslett A47K 3/006
4/556

- 3,587,118 A * 6/1971 Compton A47K 3/022
4/597
- 3,711,872 A * 1/1973 Jarosinski A47K 3/022
4/604
- D243,691 S * 3/1977 Gruber D23/277
- D282,498 S * 2/1986 Hasse D23/277
- D646,365 S * 10/2011 Parekh D23/290

* cited by examiner

Primary Examiner — Robert Delehanty

(74) *Attorney, Agent, or Firm* — Greer, Burns & Crain, Ltd.

(57) **CLAIM**

The ornamental design for a unit bath, as shown and described.

DESCRIPTION

FIG. 1 is a top plan view of the present unit bath;
 FIG. 2 is a rear view of the unit bath of FIG. 1;
 FIG. 3 is a front view of the unit bath of FIG. 1;
 FIG. 4 is a right side view of the unit bath of FIG. 1;
 FIG. 5 is a left side view of the unit bath of FIG. 1;
 FIG. 6 is a bottom plan view of same; and
 FIG. 7 is a cross-sectional view of the unit bath shown in FIG. 1 taken substantially along line 7-7 in the direction generally indicated;
 FIG. 8 is a cross-sectional view of the unit bath shown in FIG. 6 taken substantially along line 8-8 in the direction generally indicated; and,
 FIG. 9 is a top perspective view of the unit bath of FIG. 1.

1 Claim, 6 Drawing Sheets

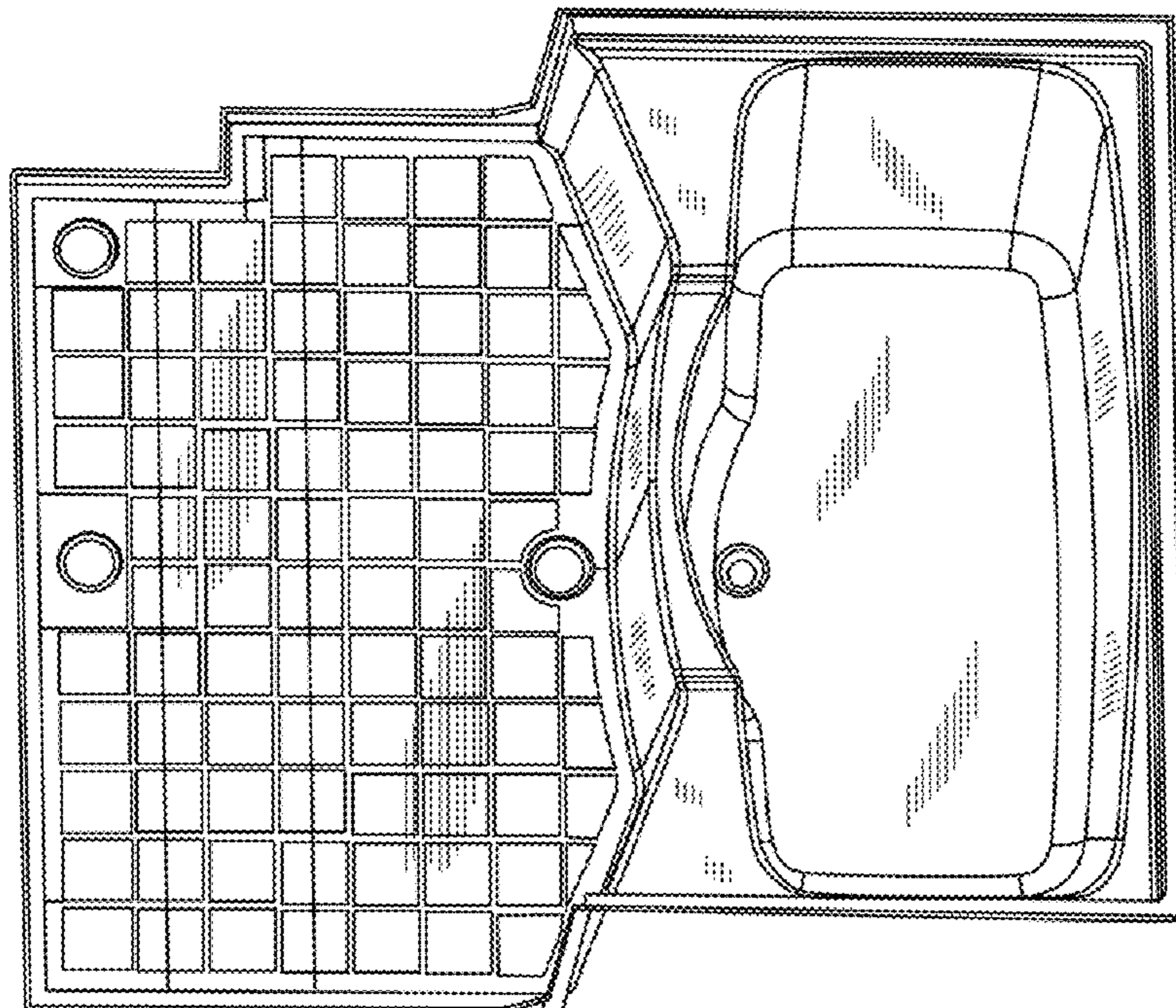


FIG. 1

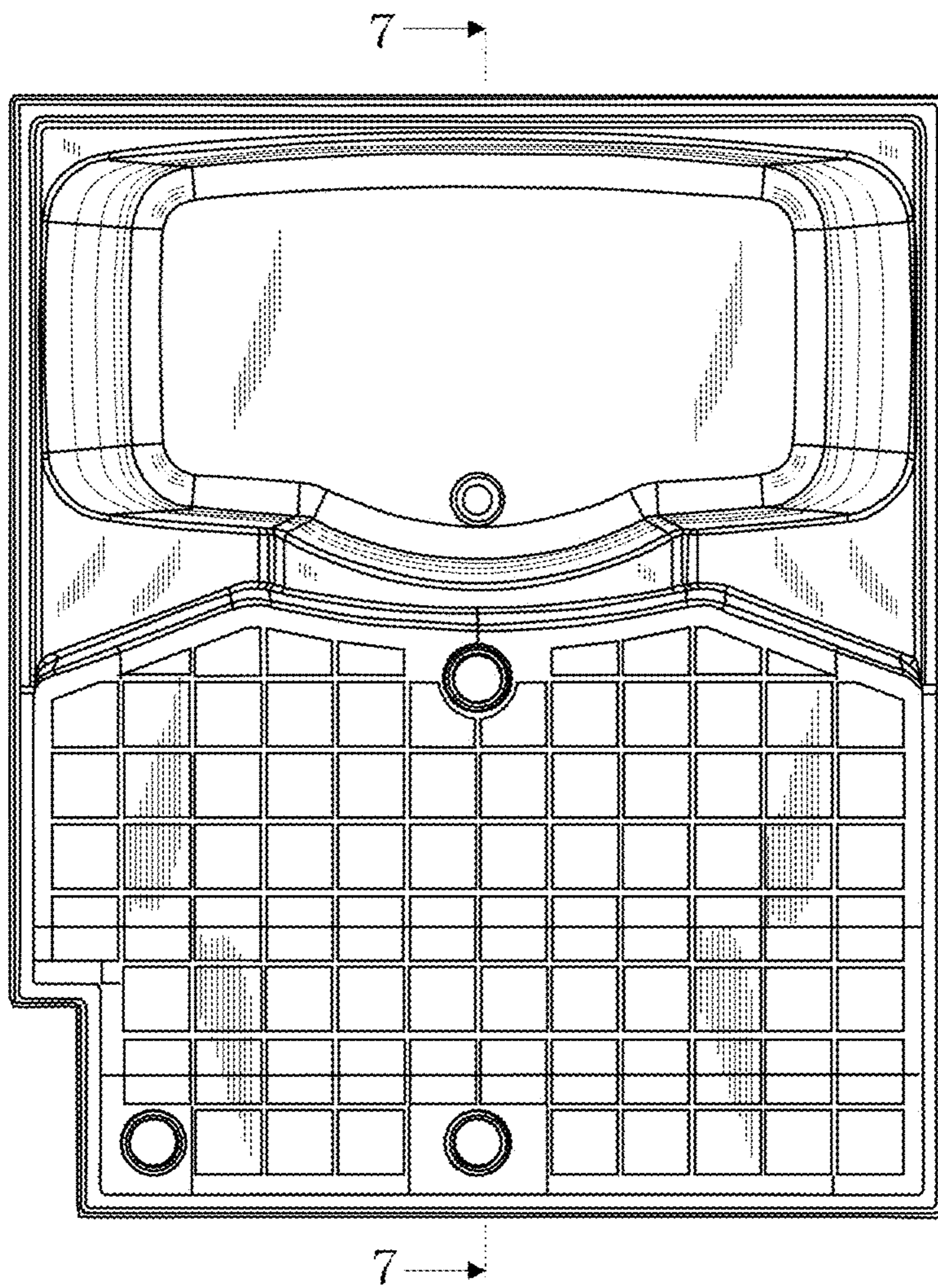


FIG. 2

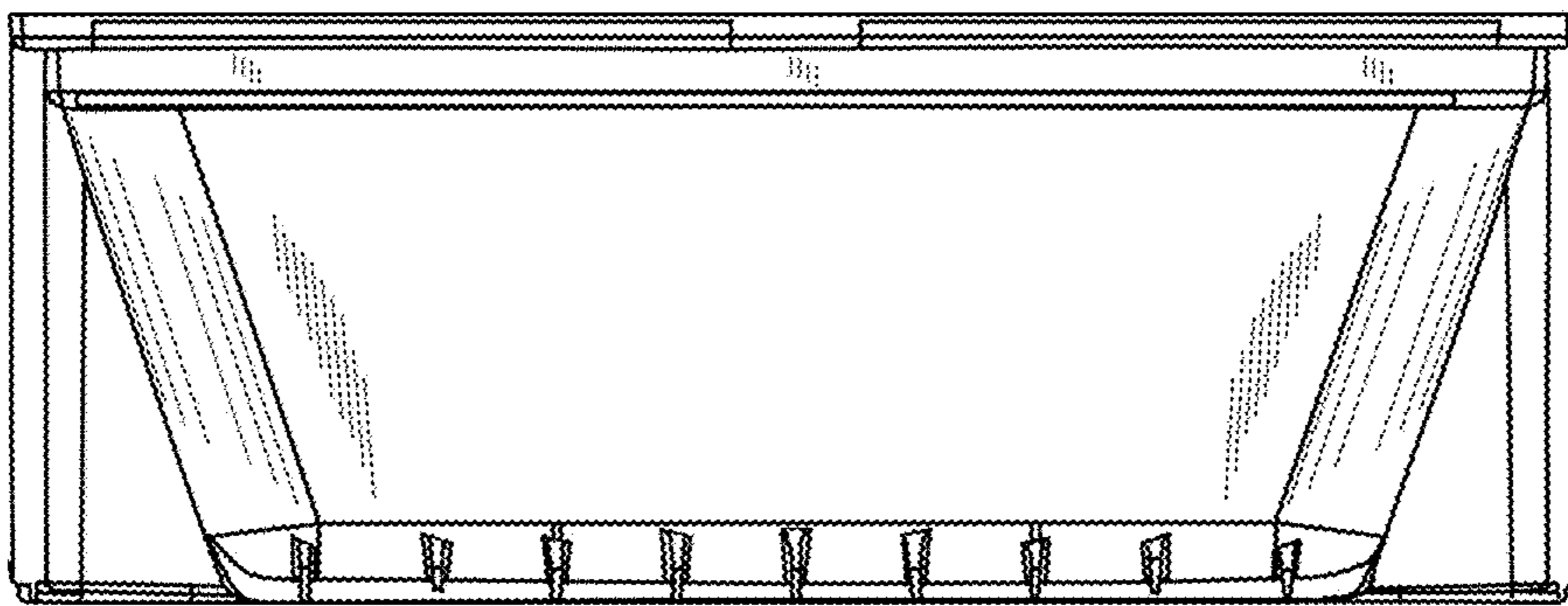


FIG. 3

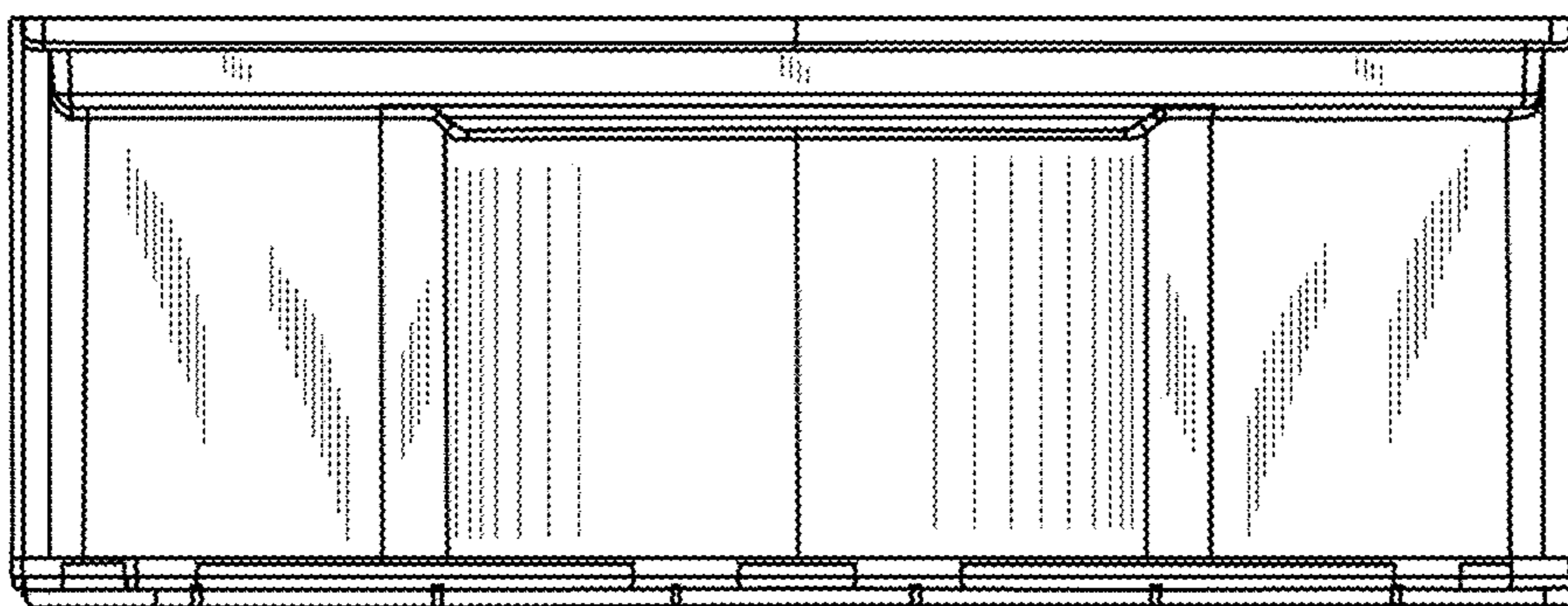


FIG. 4

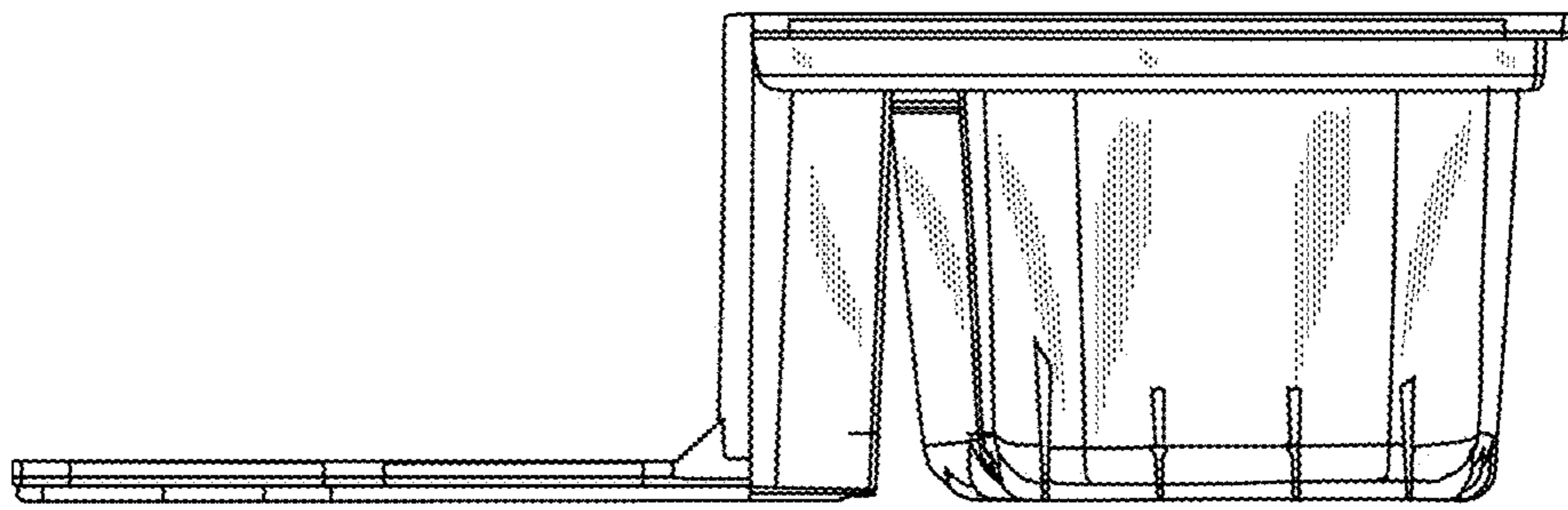


FIG. 5

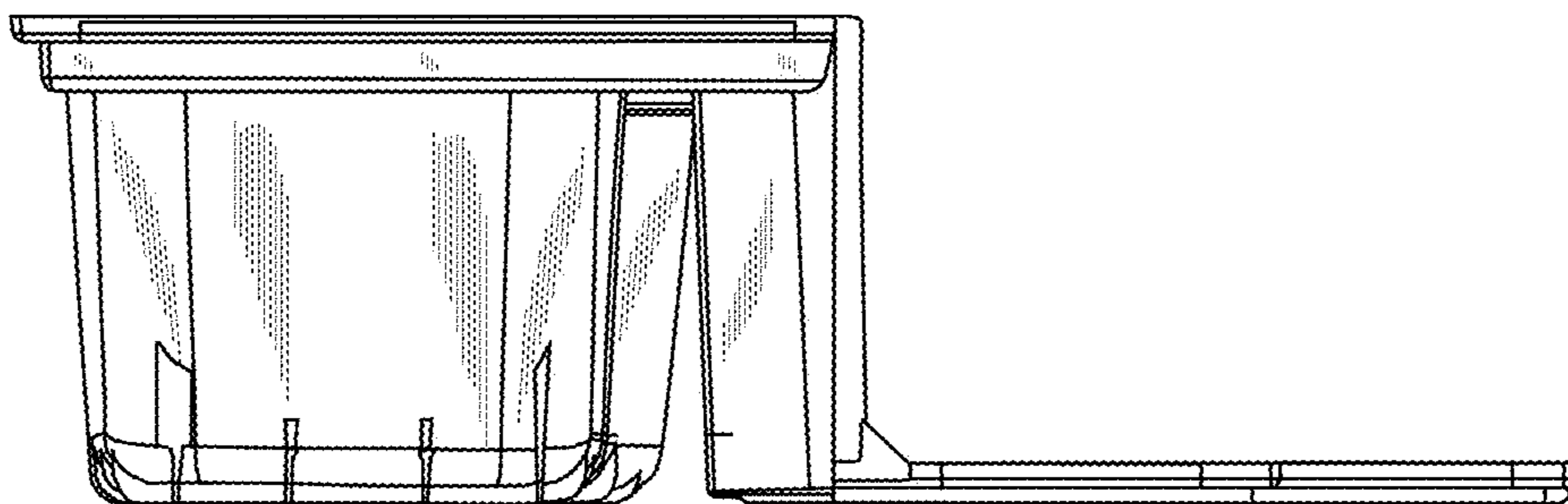


FIG. 6

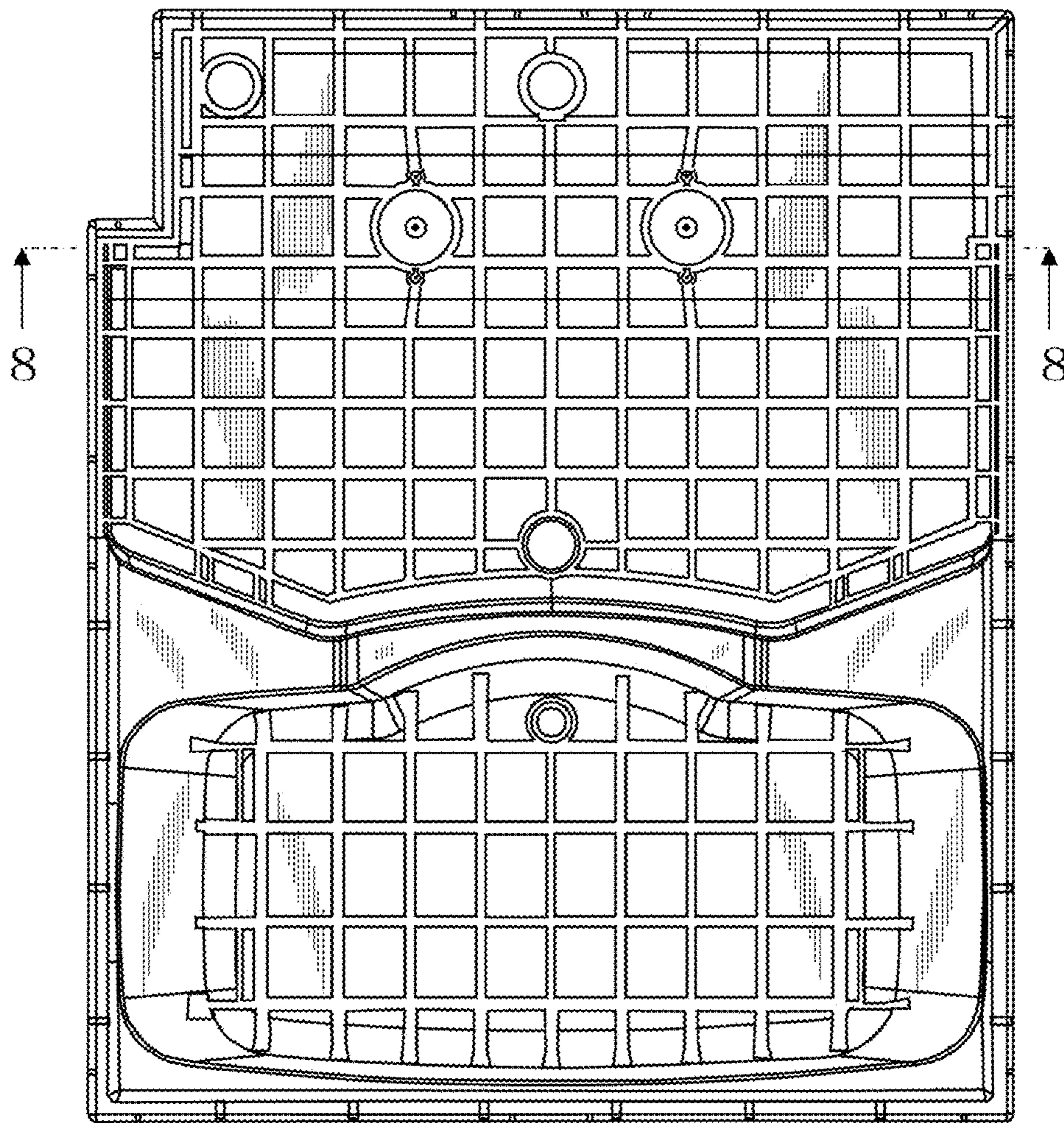


FIG. 7

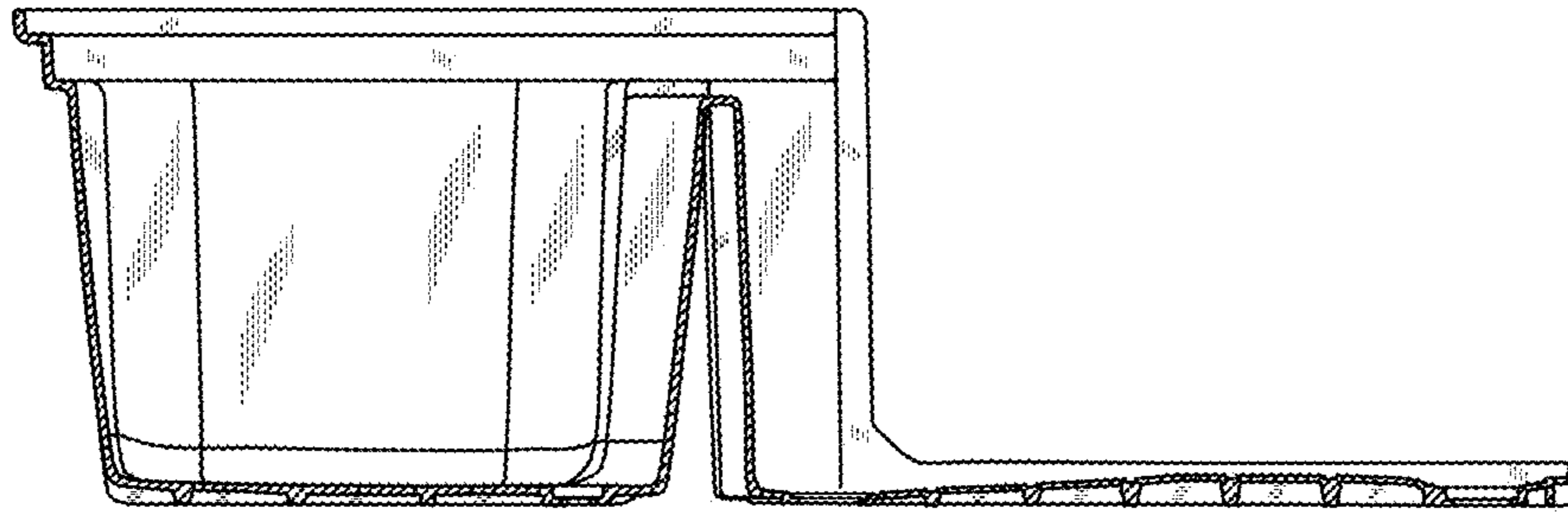


FIG. 8



FIG. 9

