



US00D795399S

(12) **United States Design Patent** (10) **Patent No.:** **US D795,399 S**
Morlet et al. (45) **Date of Patent:** **** Aug. 22, 2017**

(54) **DUAL USE PLUMBING HANDLE WITH STRAIGHT WINGS**

(71) Applicant: **Coflex S.A. de C.V.**, Monterrey (MX)

(72) Inventors: **Andres Rodrigo Garcia Morlet**, Nuevo Leon (MX); **Humberto Flores-Villarreal**, Col. Chapultepec (MX); **Eduardo Coronado**, Nuevo Leon (MX)

(73) Assignee: **Coflex S.A. de C.V.**, Monterrey (MX)

(**) Term: **15 Years**

(21) Appl. No.: **29/548,242**

(22) Filed: **Dec. 11, 2015**

(51) **LOC (10) Cl.** **23-01**

(52) **U.S. Cl.**
USPC **D23/265**

(58) **Field of Classification Search**
USPC D23/259–262, 264–266, 393; 285/356;
D8/382, 396–399; 411/435–437
(Continued)

(56) **References Cited**

U.S. PATENT DOCUMENTS

D223,156 S * 3/1972 Campbell D23/260
D439,636 S * 3/2001 Hamilton D23/213
(Continued)

Primary Examiner — Eric Goodman

Assistant Examiner — Amy Wierenga

(74) *Attorney, Agent, or Firm* — Baker & McKenzie LLP

(57) **CLAIM**

The ornamental design for a dual use plumbing handle with straight wings, as shown and described.

DESCRIPTION

FIG. 1 is a top perspective view of a first embodiment of a dual use plumbing handle with straight wings in accordance with our design;

FIG. 2 is a top view of the dual use plumbing handle with straight wings shown in FIG. 1;

FIG. 3 is a bottom perspective view of the dual use plumbing handle with straight wings shown in FIG. 1;

FIG. 4 is a bottom view of the dual use plumbing handle with straight wings shown in FIG. 1;

FIG. 5 is a front view of the dual use plumbing handle with straight wings shown in FIG. 1;

FIG. 6 is a rear view of the dual use plumbing handle with straight wings shown in FIG. 1;

FIG. 7 is a side view of the dual use plumbing handle with straight wings shown in FIG. 1;

FIG. 8 is an opposite side view of the dual use plumbing handle with straight wings shown in FIG. 1;

FIG. 9 is a top perspective view of a second embodiment of a dual use plumbing handle with straight wings in accordance with our design;

FIG. 10 is a top view of the dual use plumbing handle with straight wings shown in FIG. 9;

FIG. 11 is a bottom perspective view of the dual use plumbing handle with straight wings shown in FIG. 9;

FIG. 12 is a bottom view of the dual use plumbing handle with straight wings shown in FIG. 9;

FIG. 13 is a front view of the dual use plumbing handle with straight wings shown in FIG. 9;

FIG. 14 is a rear view of the dual use plumbing handle with straight wings shown in FIG. 9;

FIG. 15 is a side view of the dual use plumbing handle with straight wings shown in FIG. 9;

FIG. 16 is an opposite side view of the dual use plumbing handle with straight wings shown in FIG. 9;

FIG. 17 is a top perspective view of a third embodiment of a dual use plumbing handle with straight wings in accordance with our design;

FIG. 18 is a top view of the dual use plumbing handle with straight wings shown in FIG. 17;

FIG. 19 is a bottom perspective view of the dual use plumbing handle with straight wings shown in FIG. 17;

FIG. 20 is a bottom view of the dual use plumbing handle with straight wings shown in FIG. 17;

FIG. 21 is a front view of the dual use plumbing handle with straight wings shown in FIG. 17;

(Continued)

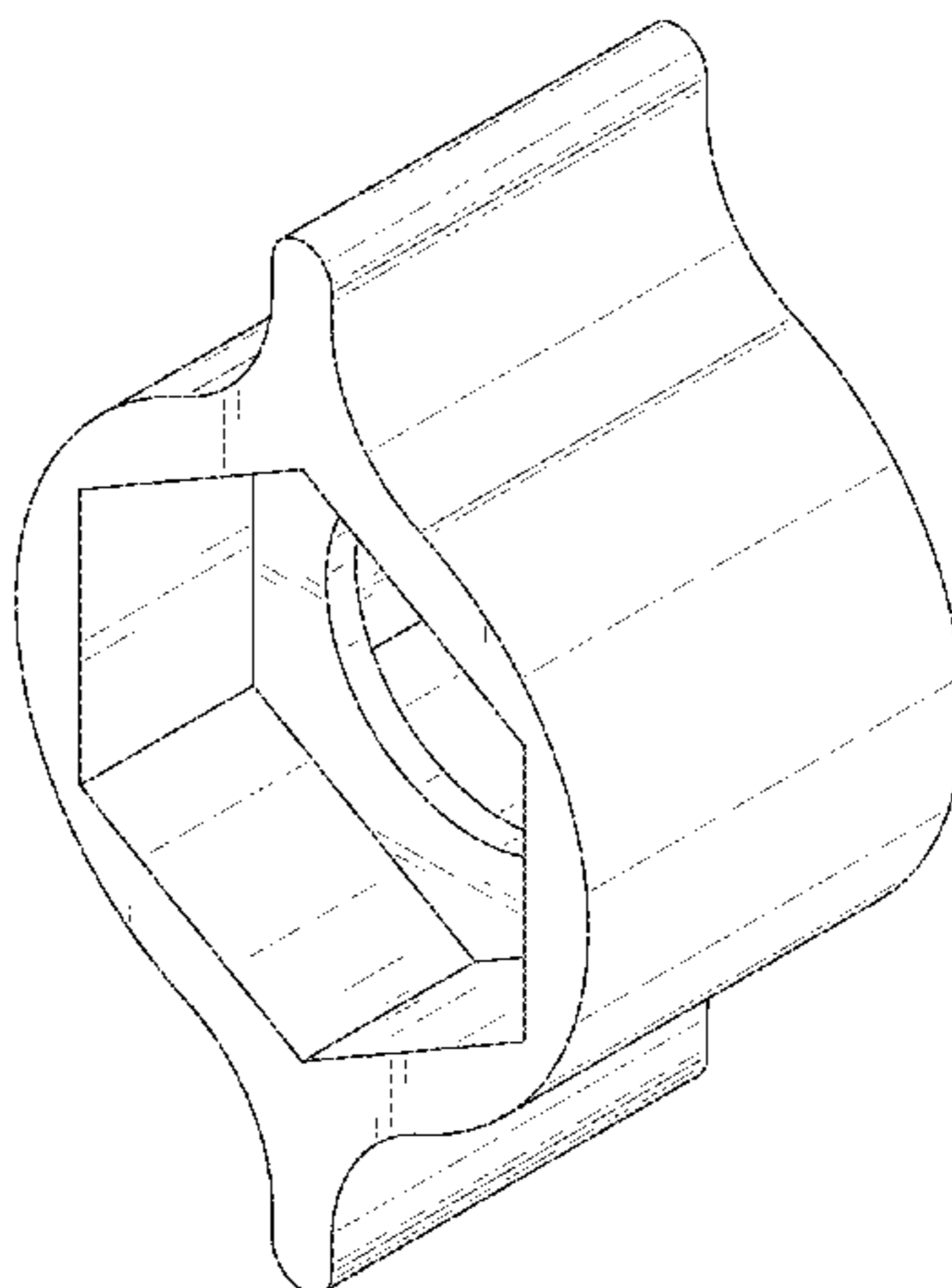
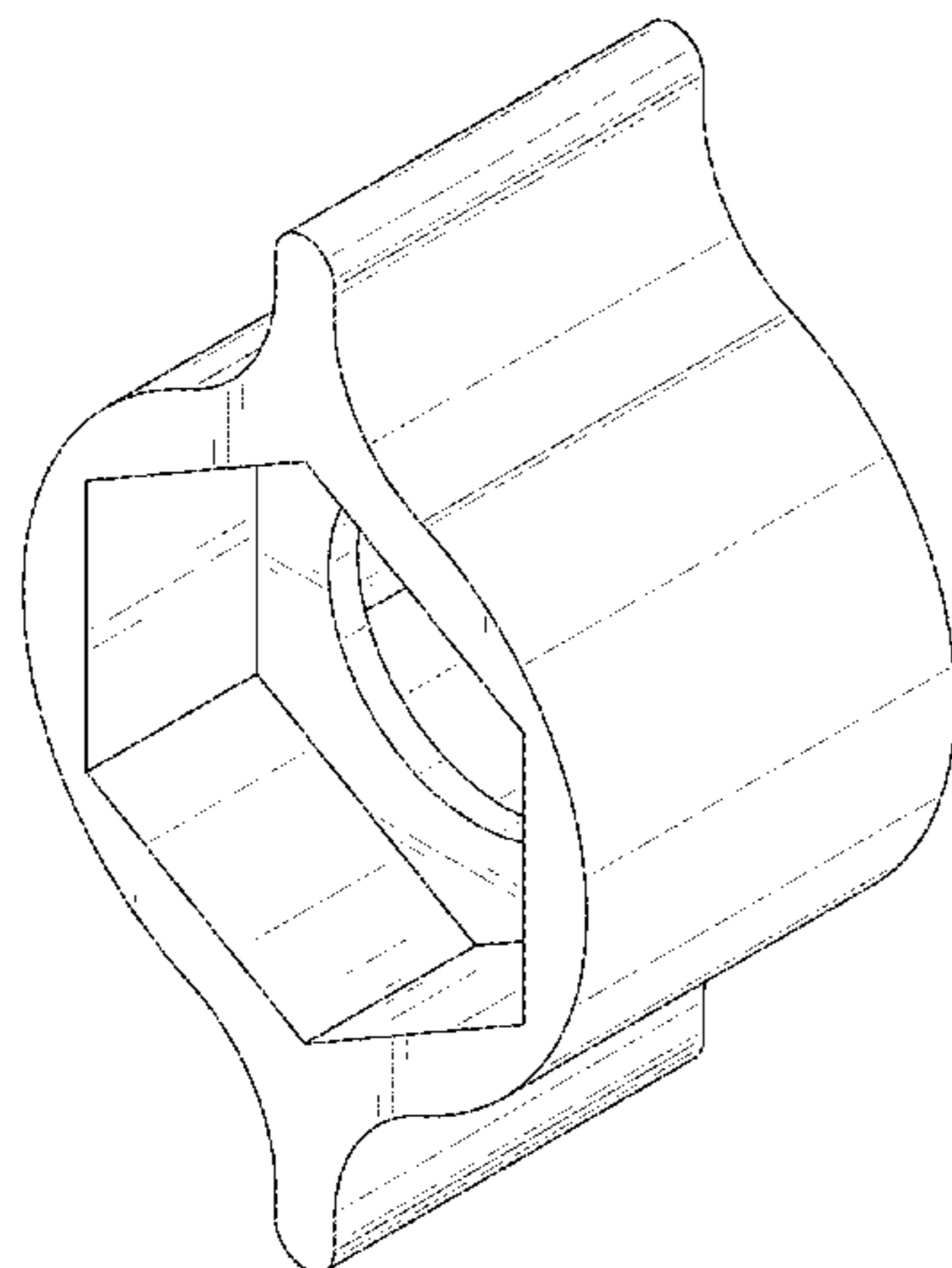


FIG. 22 is a rear view of the dual use plumbing handle with straight wings shown in FIG. 17;
 FIG. 23 is a side view of the dual use plumbing handle with straight wings shown in FIG. 17;
 FIG. 24 is an opposite side view of the dual use plumbing handle with straight wings shown in FIG. 17;
 FIG. 25 is a top perspective view of a fourth embodiment of a dual use plumbing handle with straight wings in accordance with our design;
 FIG. 26 is a top view of the dual use plumbing handle with straight wings shown in FIG. 25;
 FIG. 27 is a bottom perspective view of the dual use plumbing handle with straight wings shown in FIG. 25;
 FIG. 28 is a bottom view of the dual use plumbing handle with straight wings shown in FIG. 25;
 FIG. 29 is a front view of the dual use plumbing handle with straight wings shown in FIG. 25;
 FIG. 30 is a rear view of the dual use plumbing handle with straight wings shown in FIG. 25;
 FIG. 31 is a side view of the dual use plumbing handle with straight wings shown in FIG. 25; and,
 FIG. 32 is an opposite side view of the dual use plumbing handle with straight wings shown in FIG. 25.

1 Claim, 32 Drawing Sheets

(58) **Field of Classification Search**

CPC . F16L 21/02; F16L 21/04; F16L 27/08; E03C
 1/021; E03D 11/14; F16K 27/08; F16J
 15/04

See application file for complete search history.

(56) **References Cited**

U.S. PATENT DOCUMENTS

D479,585	S *	9/2003	Mulligan	D23/259
D484,786	S *	1/2004	O'Connor	D8/398
D510,260	S *	10/2005	Jennings	D8/398
D558,306	S *	12/2007	McCluskey	D23/264
D585,530	S *	1/2009	Ito	D23/259
D600,546	S *	9/2009	Scilingo	D8/397
D672,639	S *	12/2012	Pawluk	D8/398
D700,683	S *	3/2014	Atwell	D23/235
D724,936	S *	3/2015	Coronado	D8/397
2010/0088811	A1 *	4/2010	Coronado	E03D 11/14 4/252.4
2016/0109033	A1 *	4/2016	Cude	F16J 15/04 137/15.18

* cited by examiner

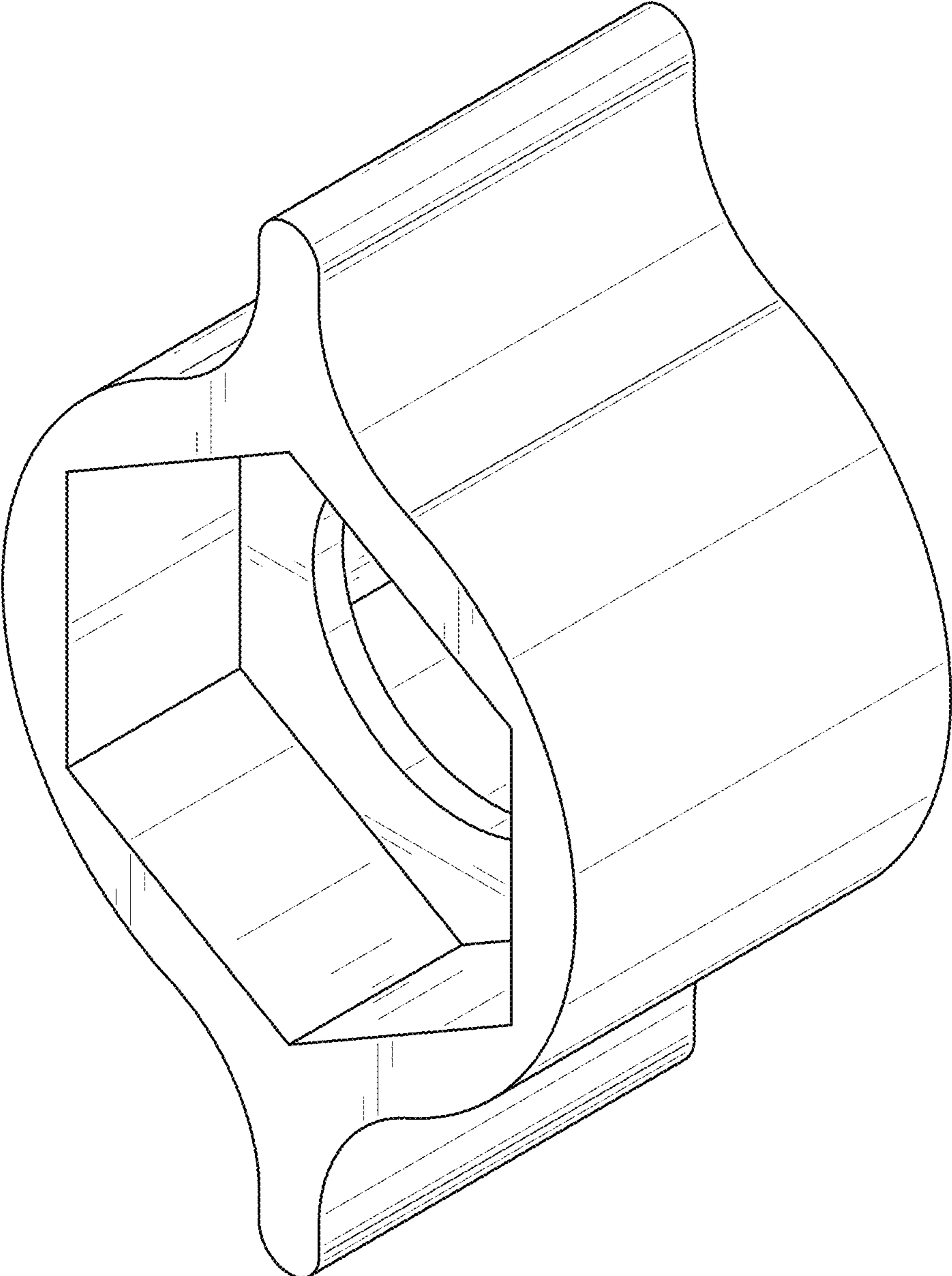


FIG. 1

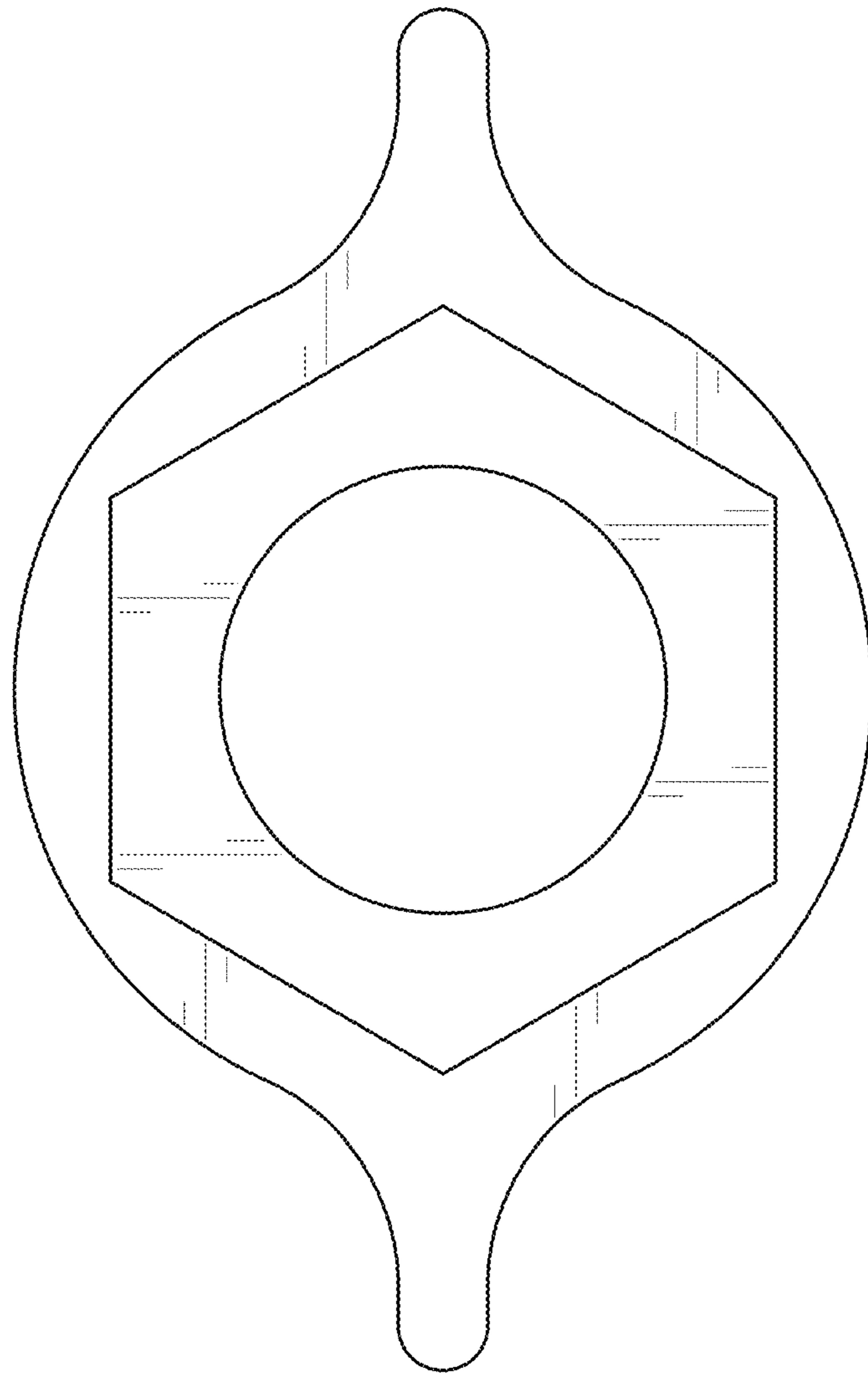


FIG. 2

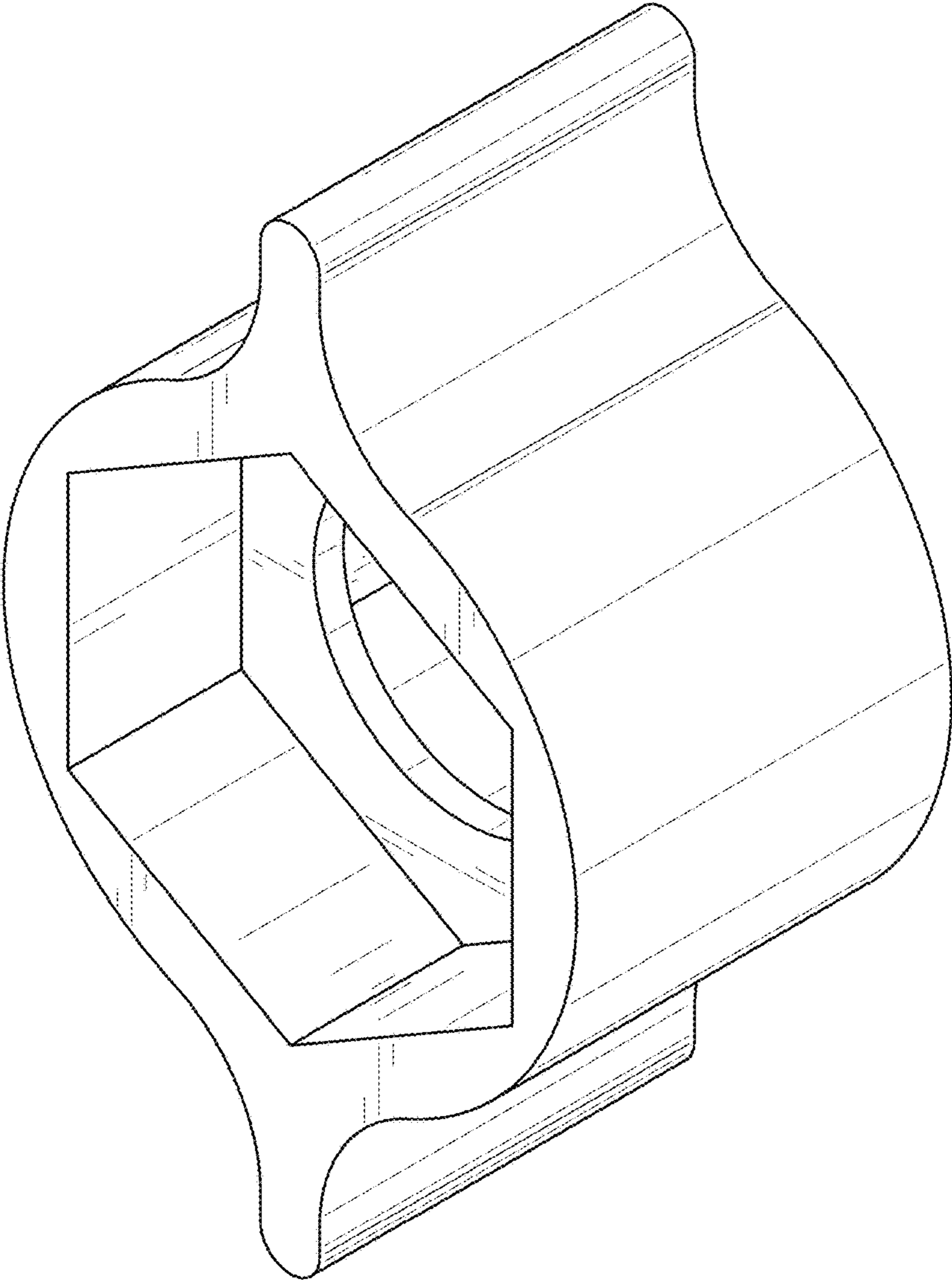


FIG. 3

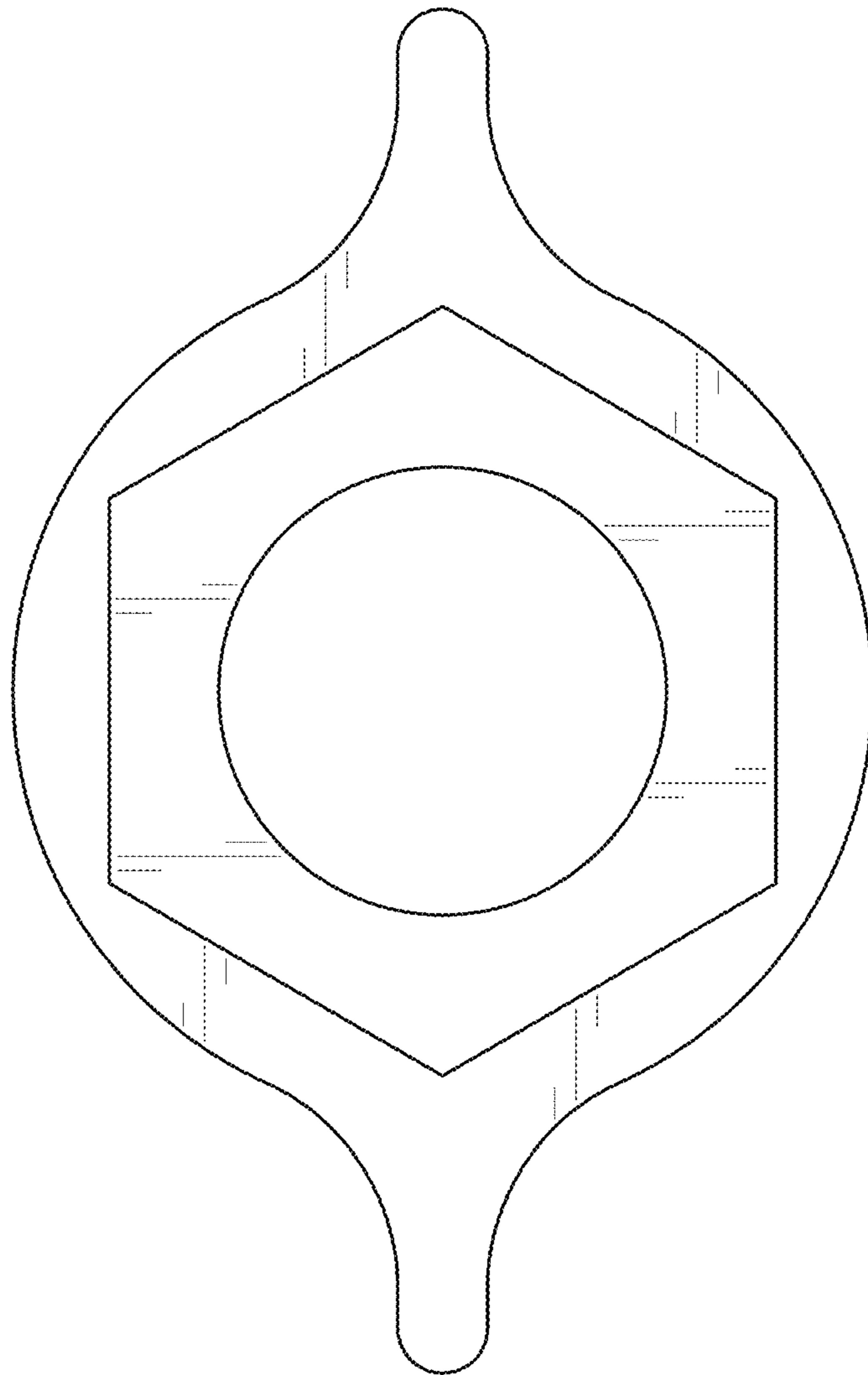


FIG. 4



FIG. 5



FIG. 6

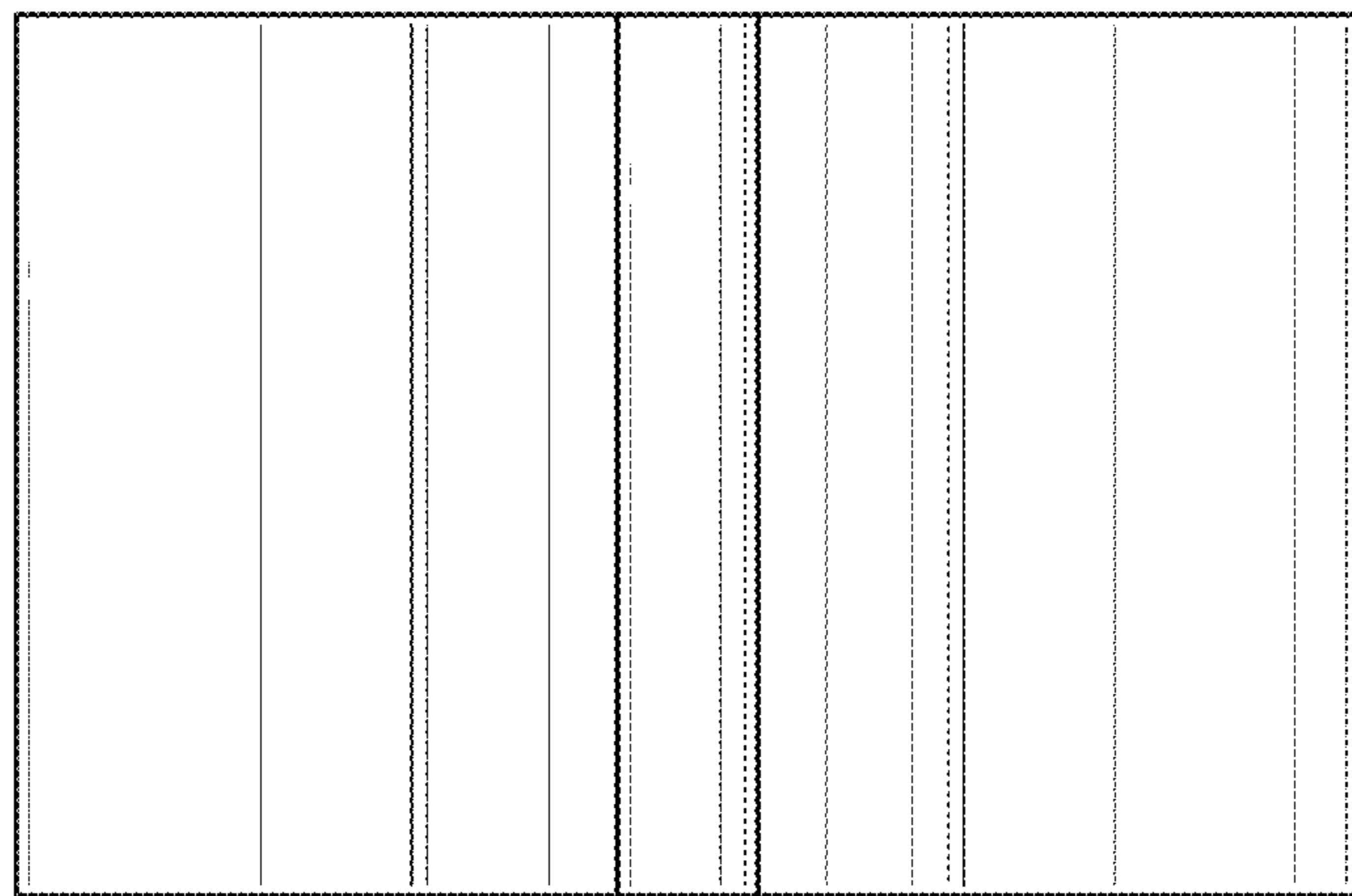


FIG. 7

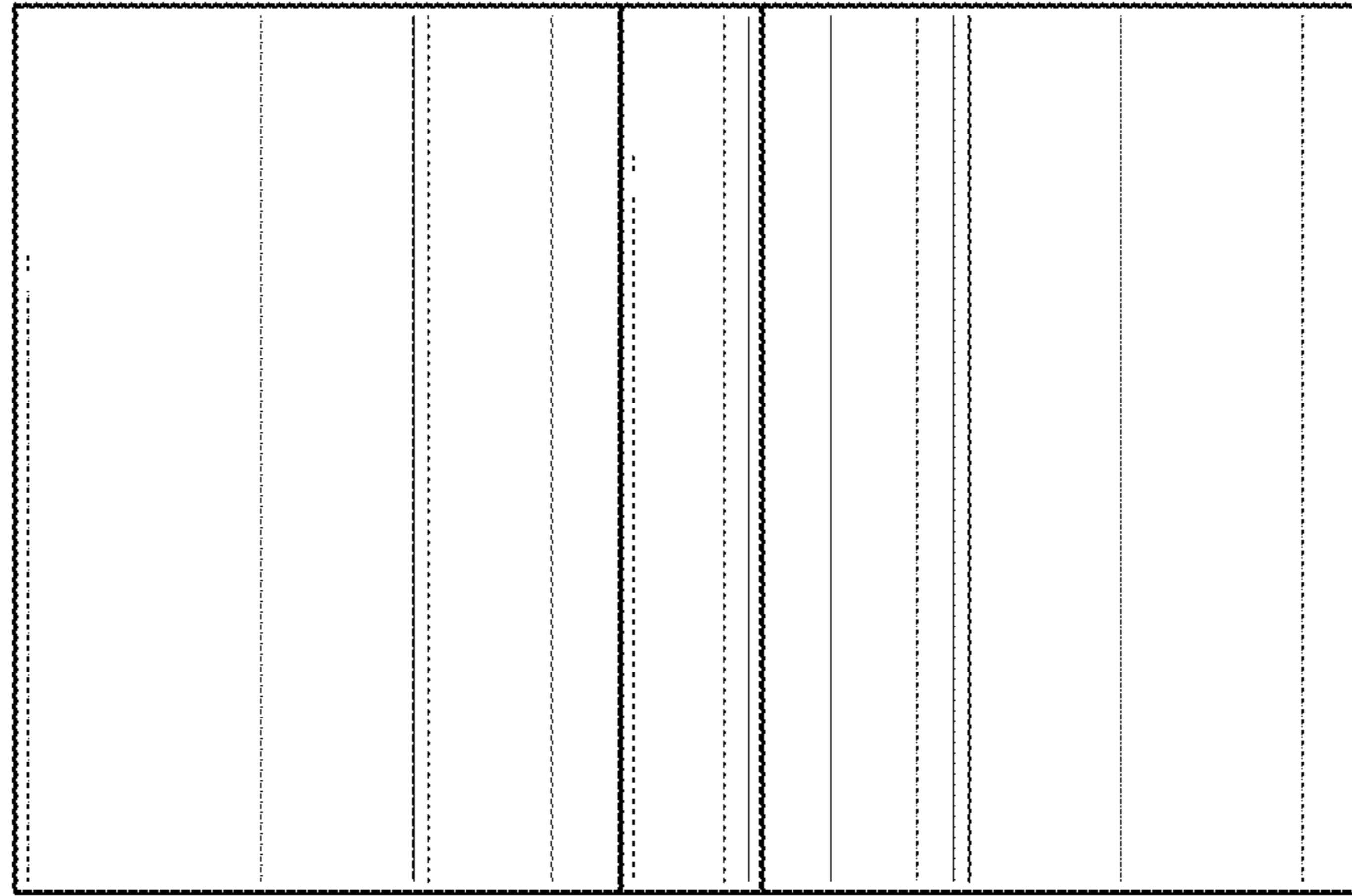


FIG. 8

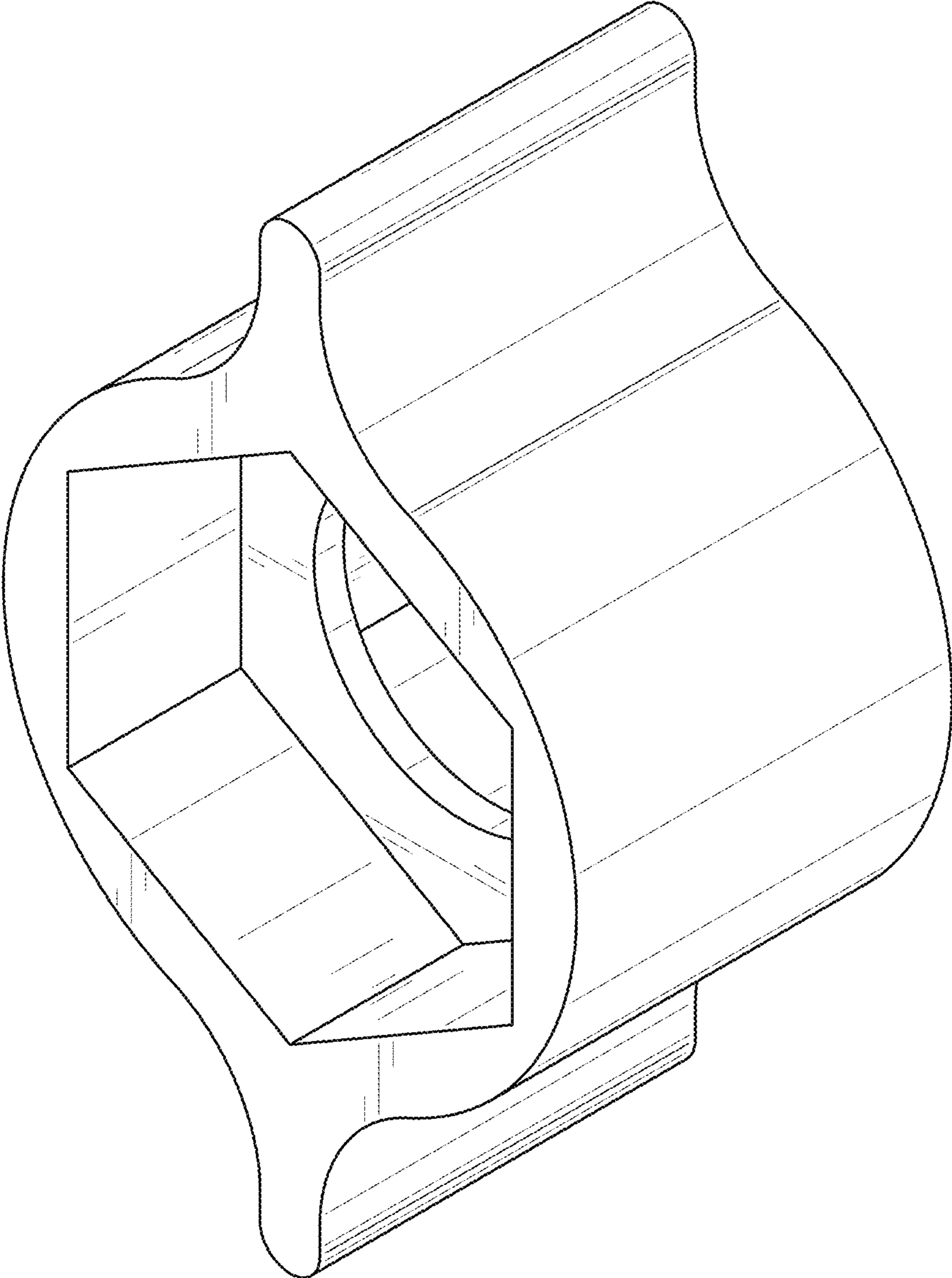


FIG. 9

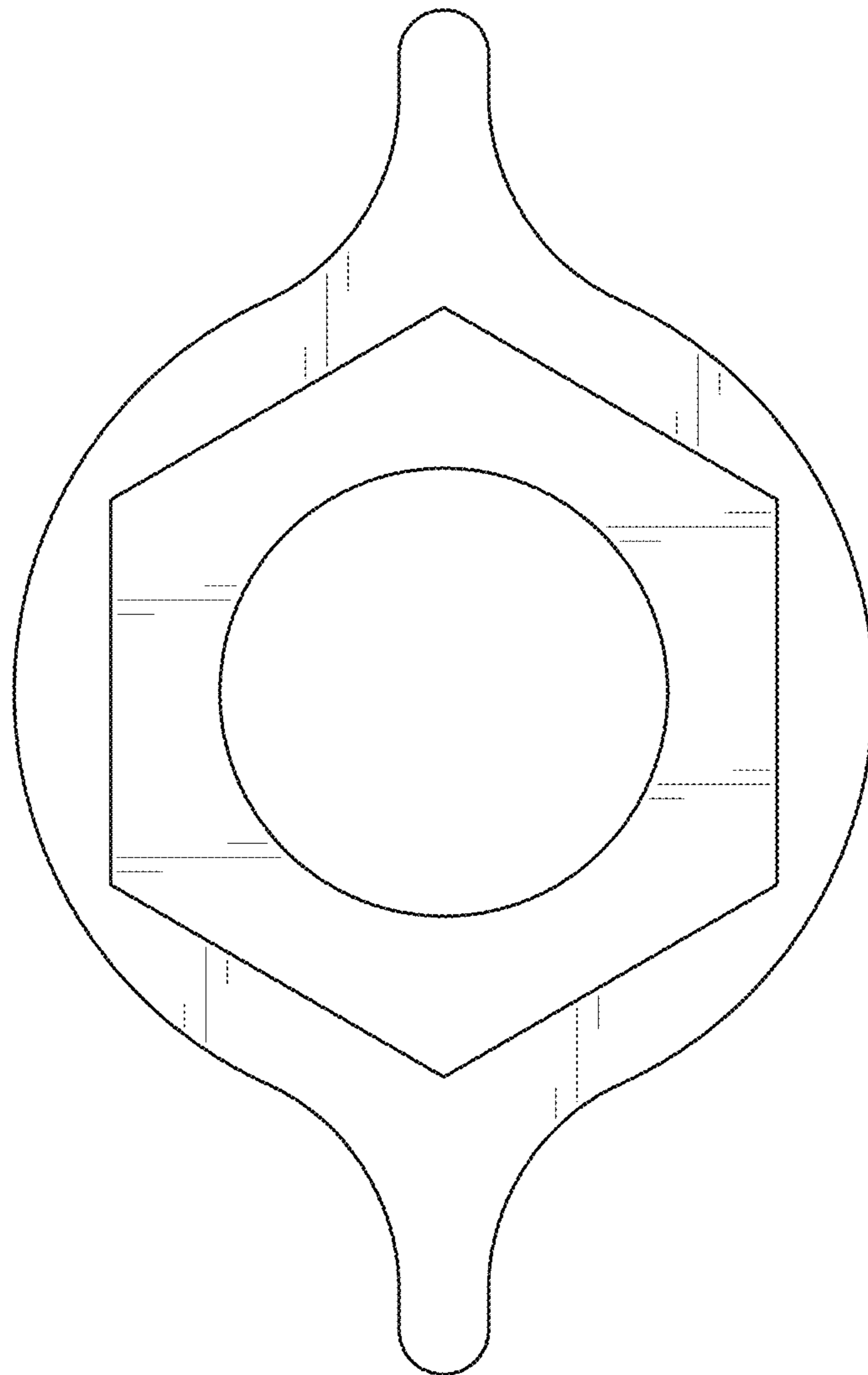


FIG. 10

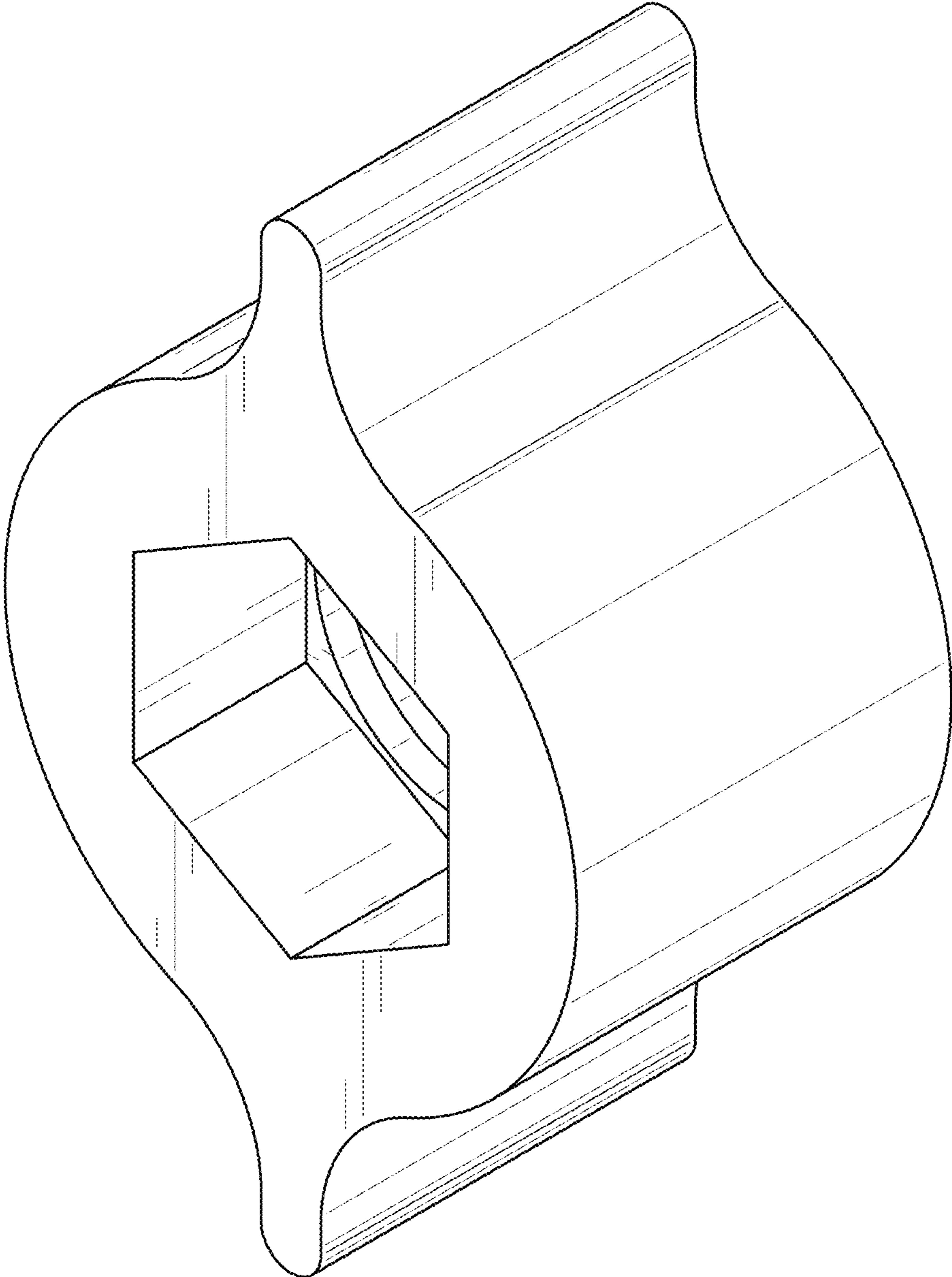


FIG. 11

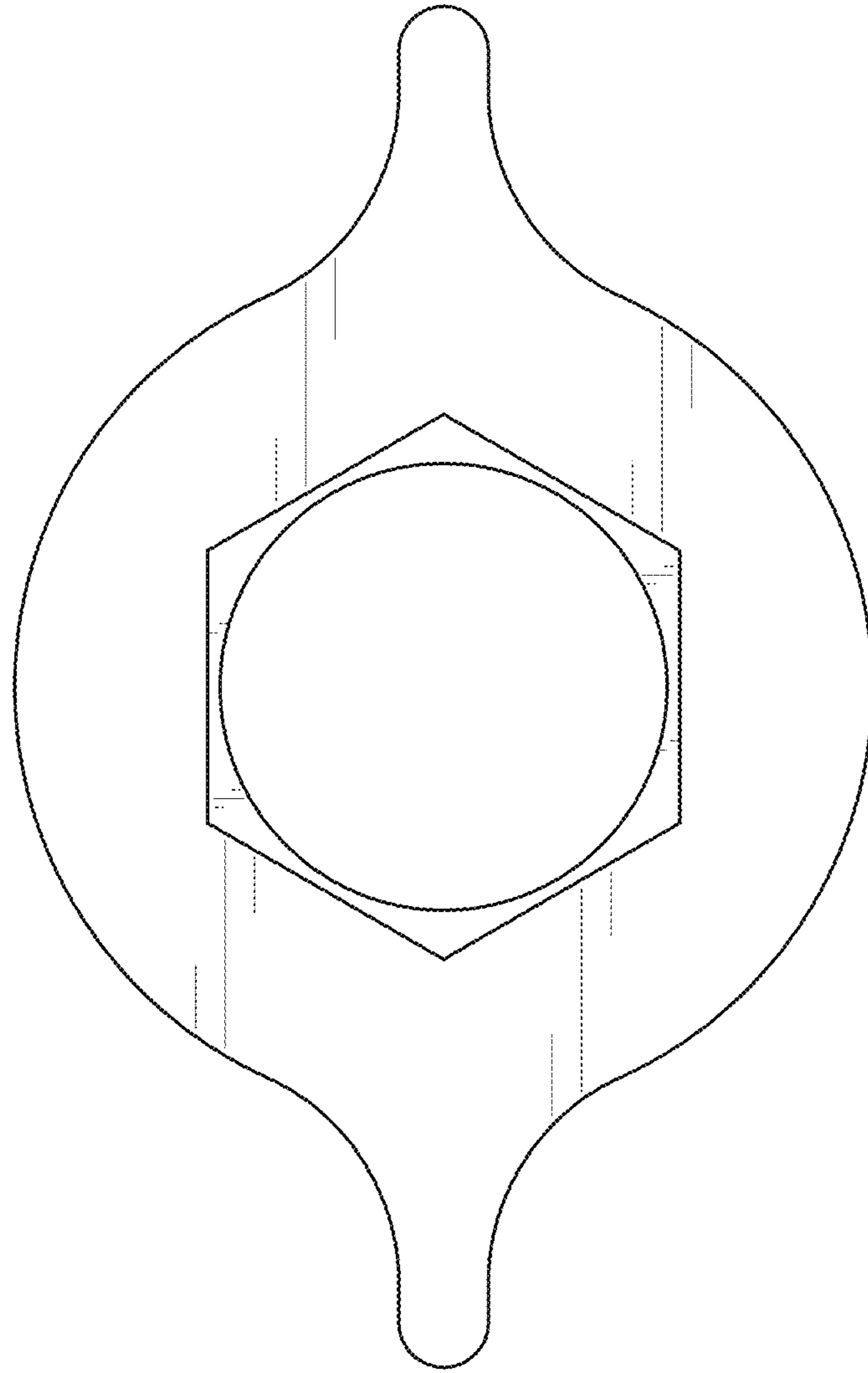


FIG. 12



FIG. 13

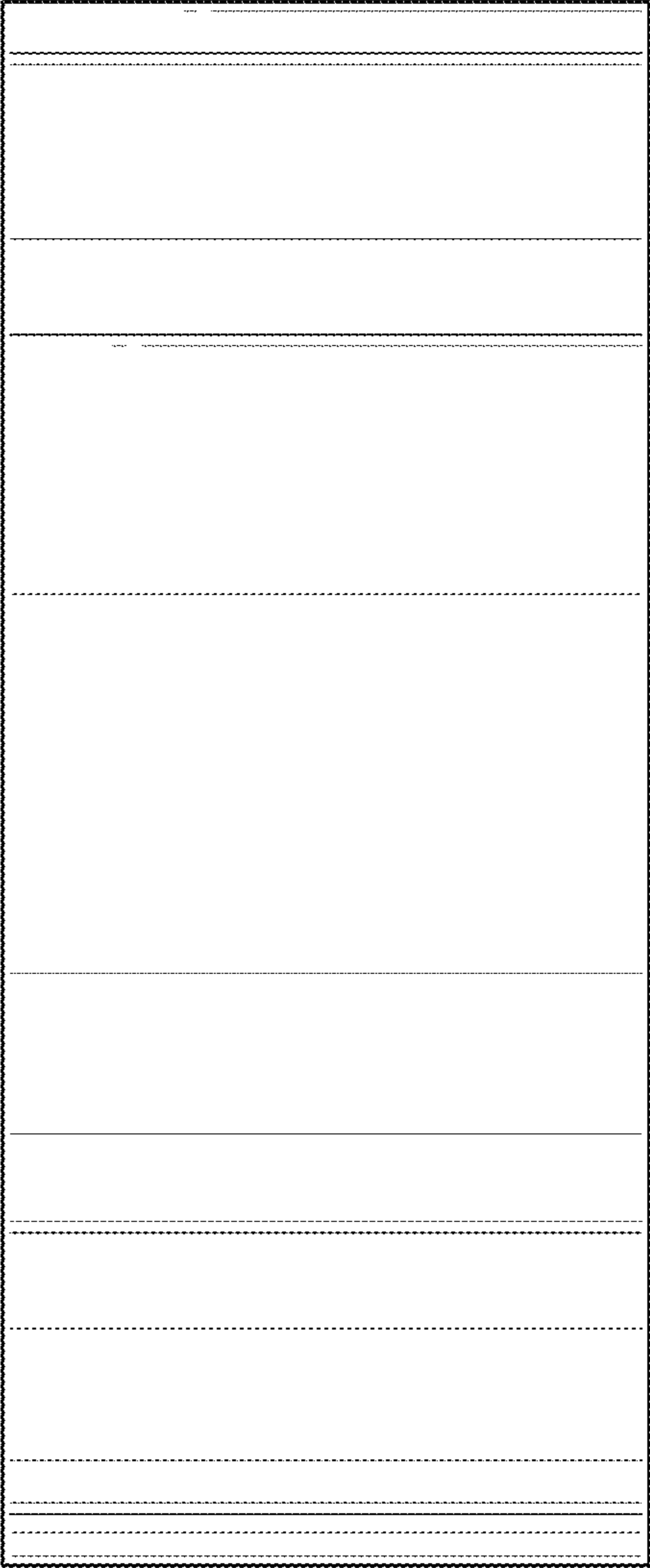


FIG. 14

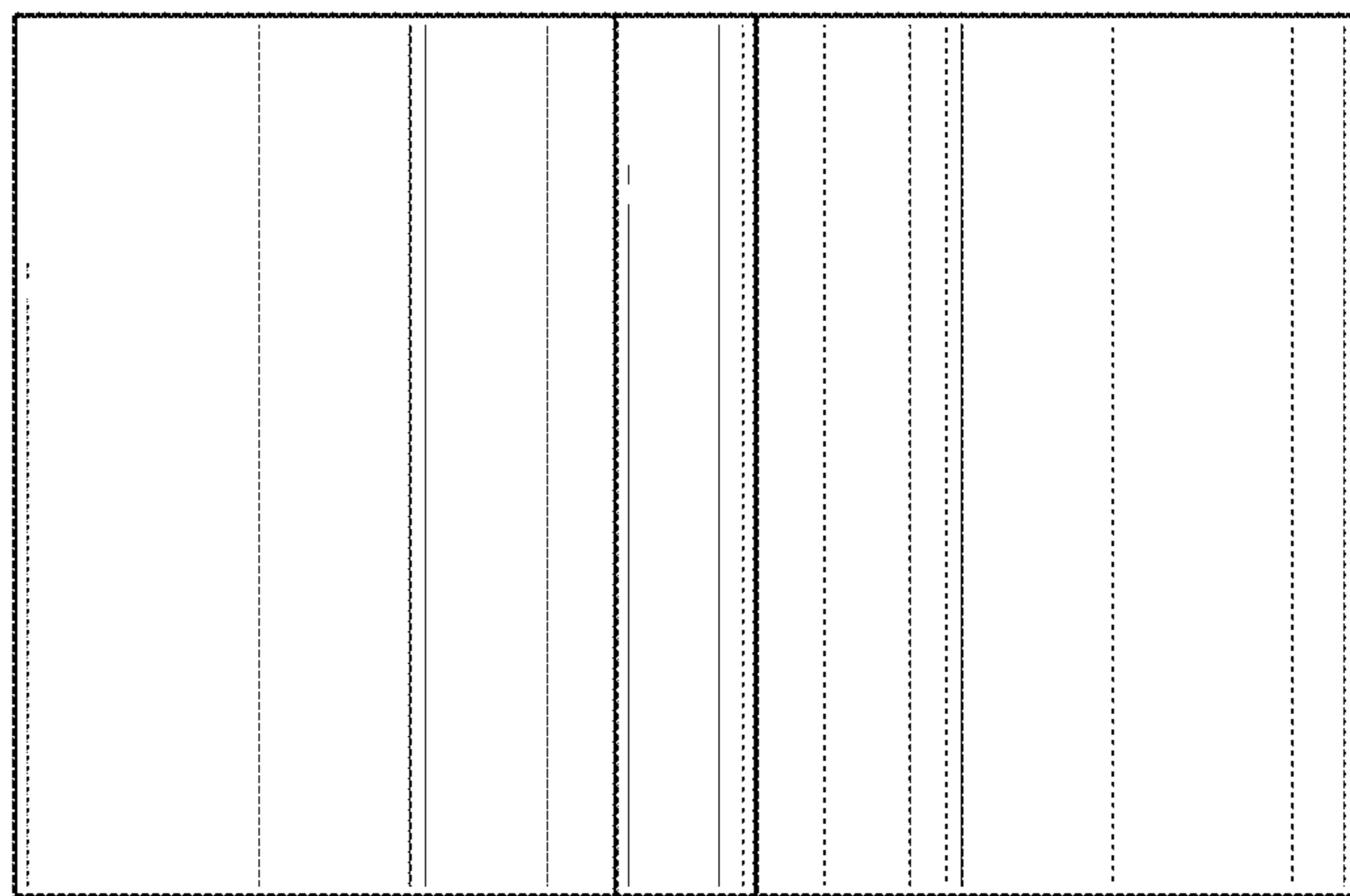


FIG. 15

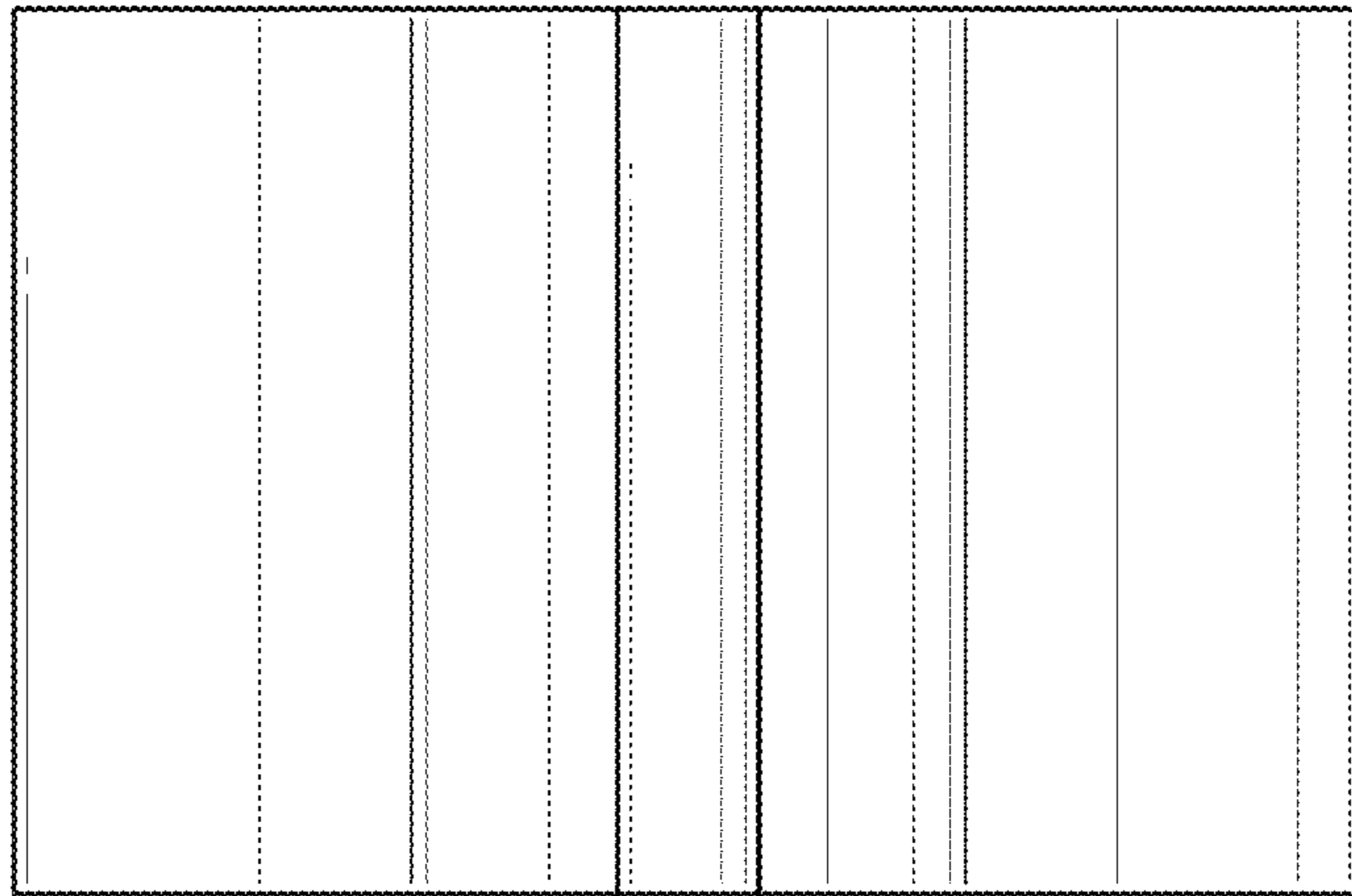


FIG. 16

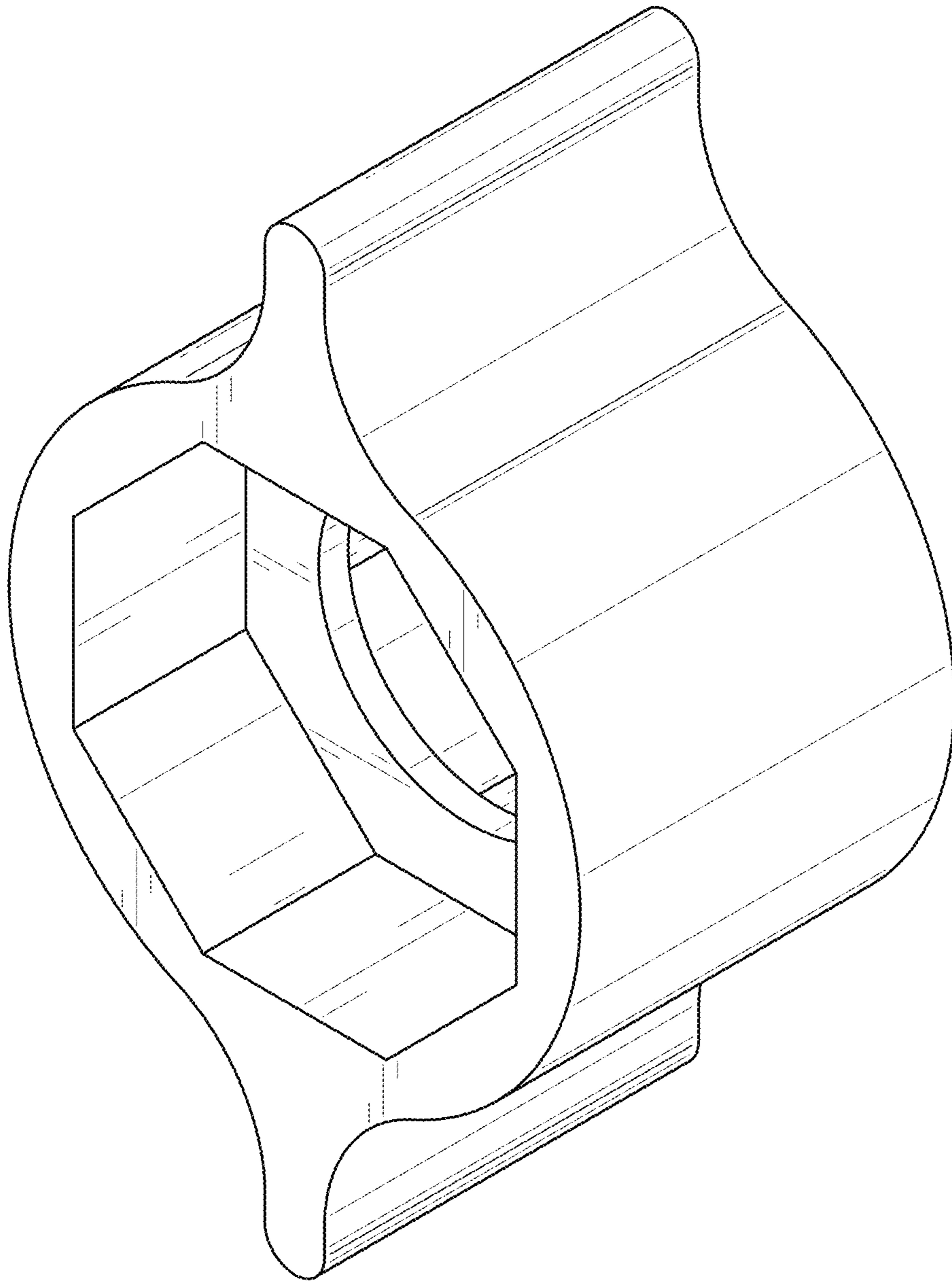


FIG. 17

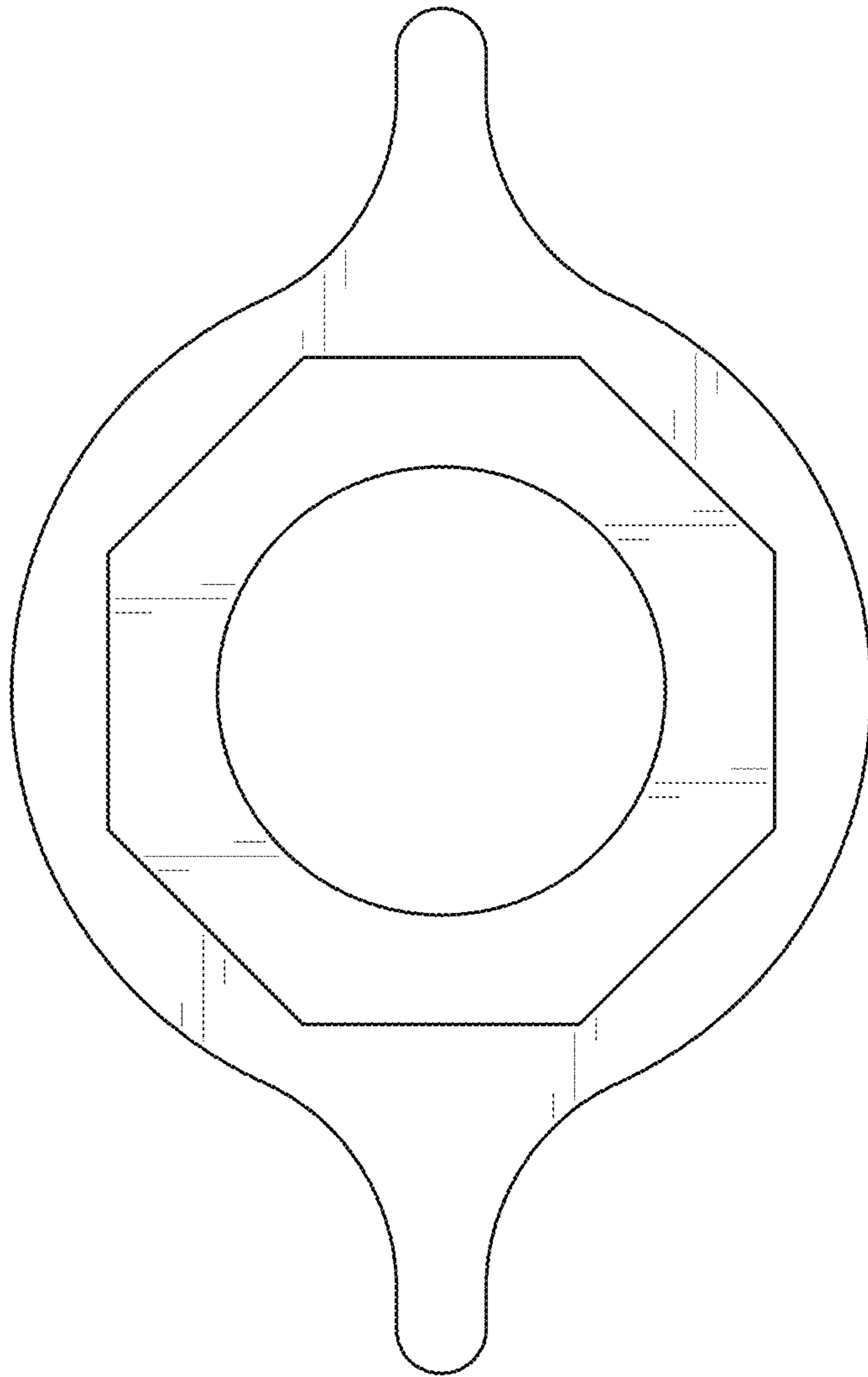


FIG. 18

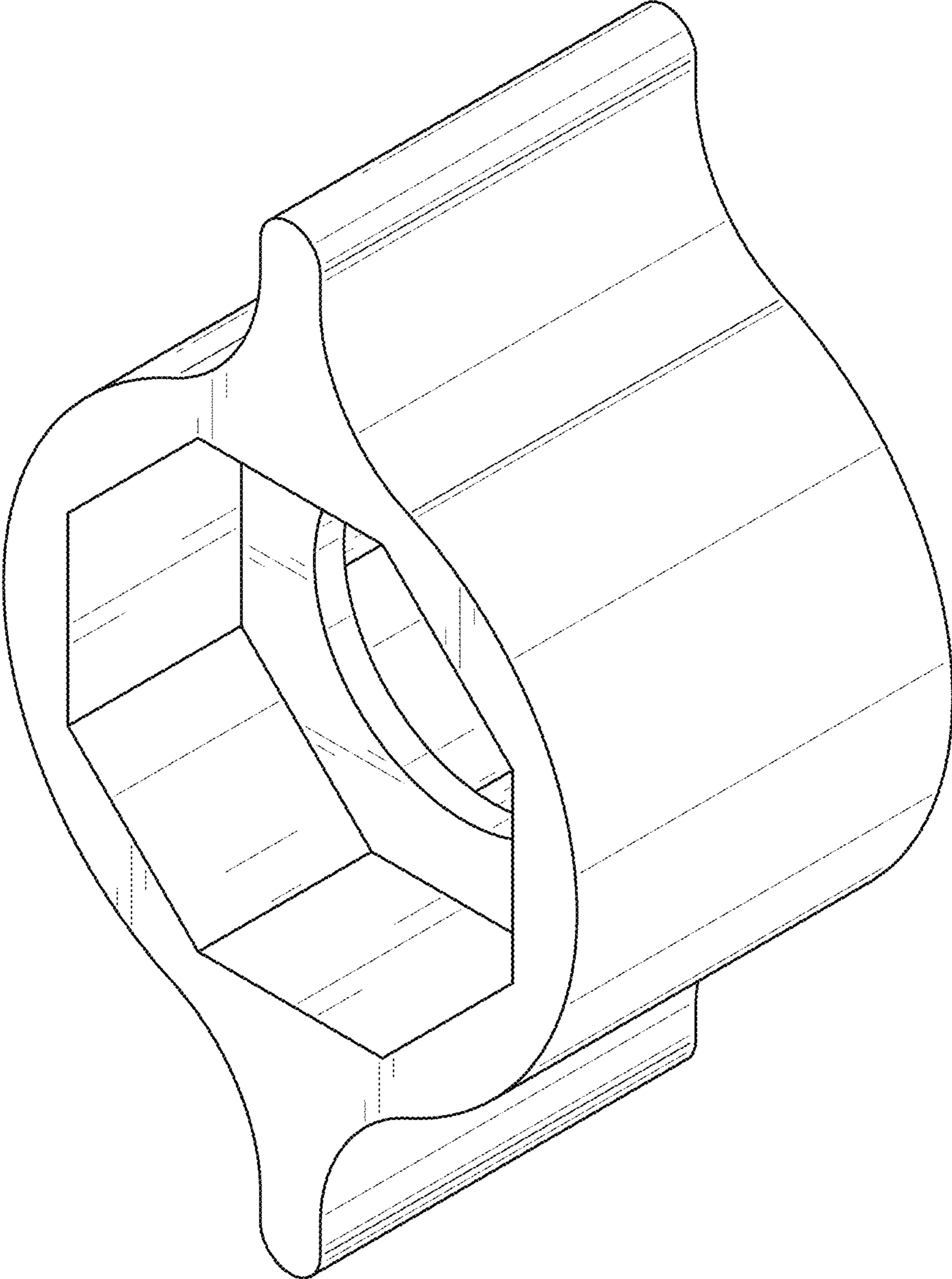


FIG. 19

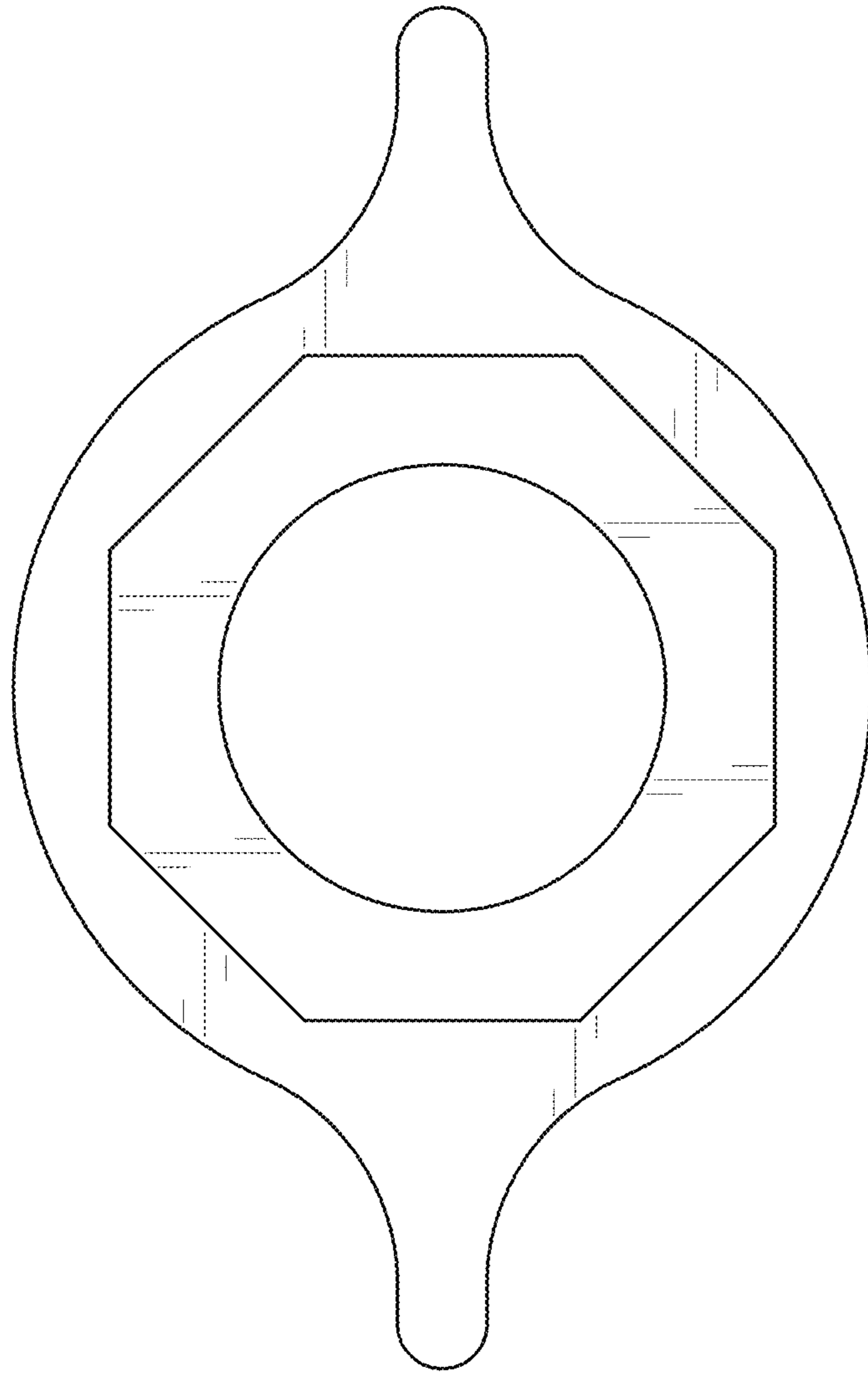


FIG. 20

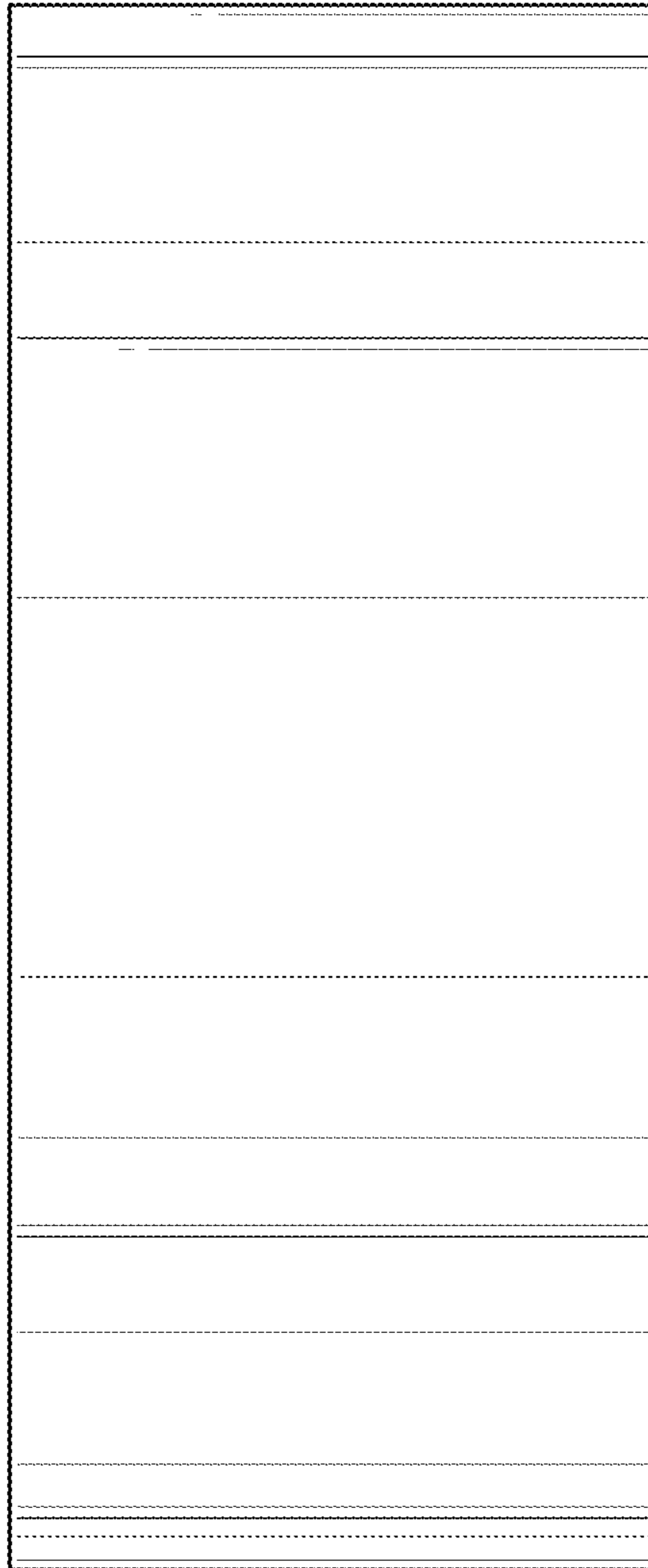


FIG. 21



FIG. 22

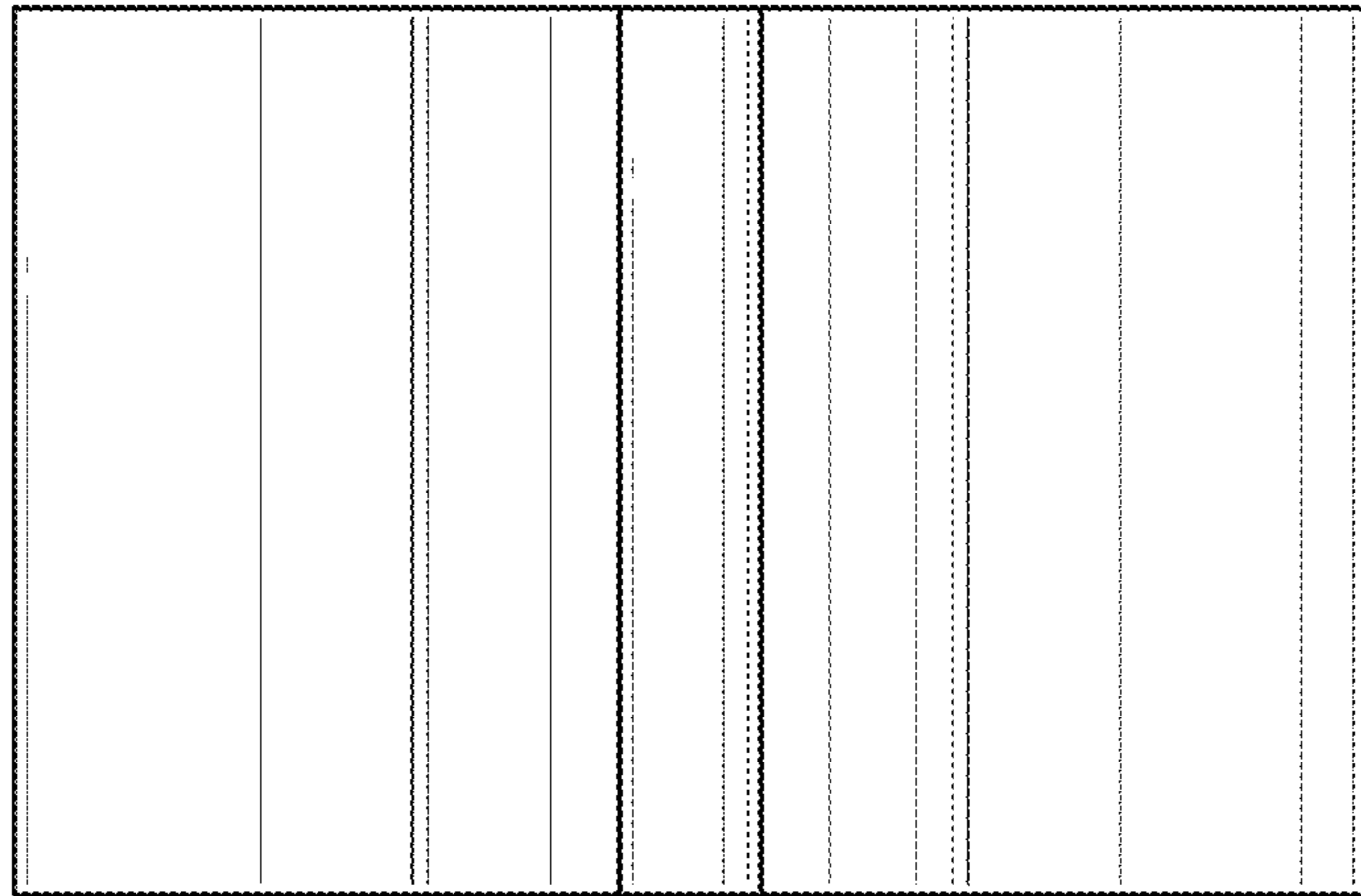


FIG. 23

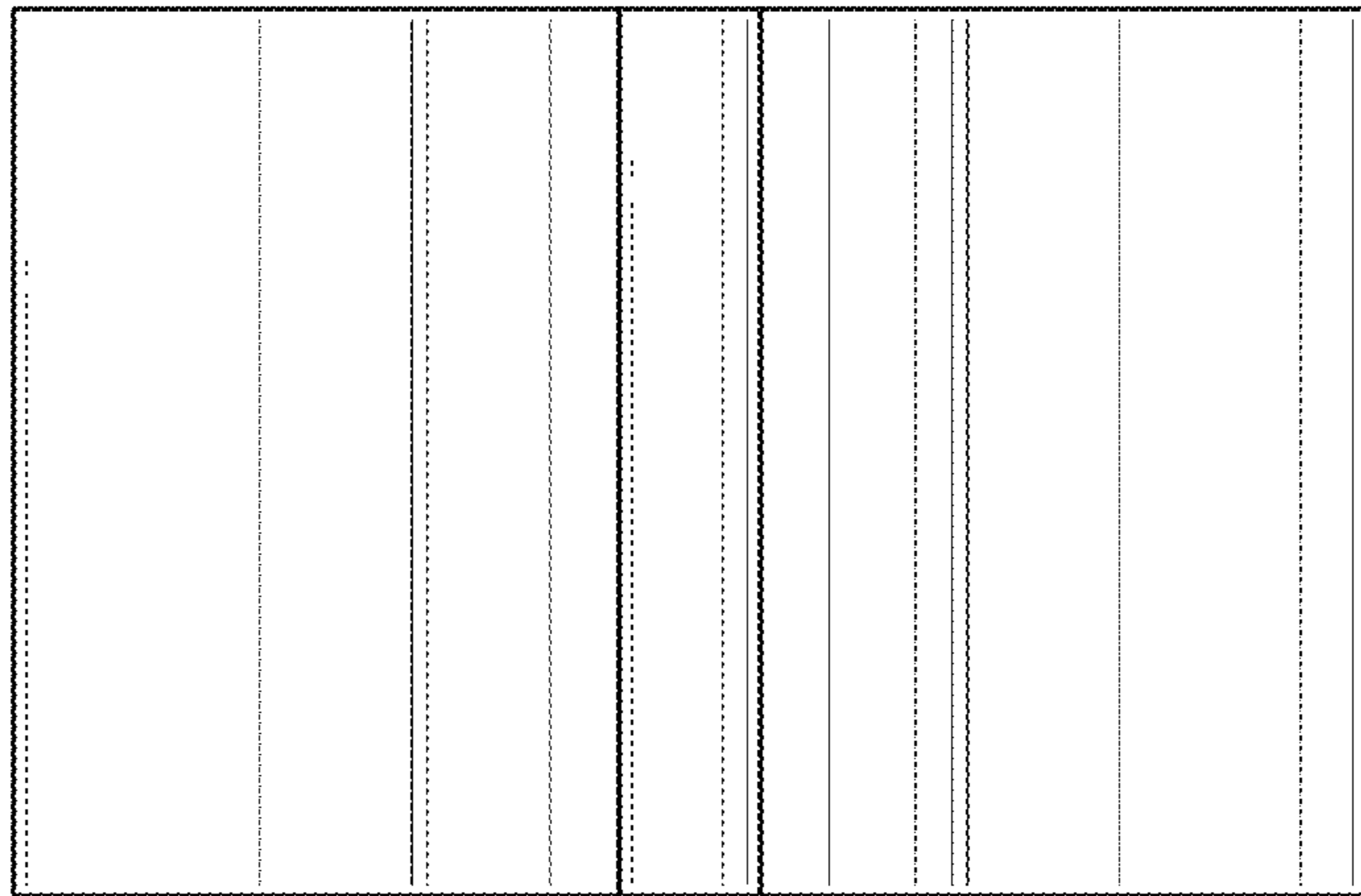


FIG. 24

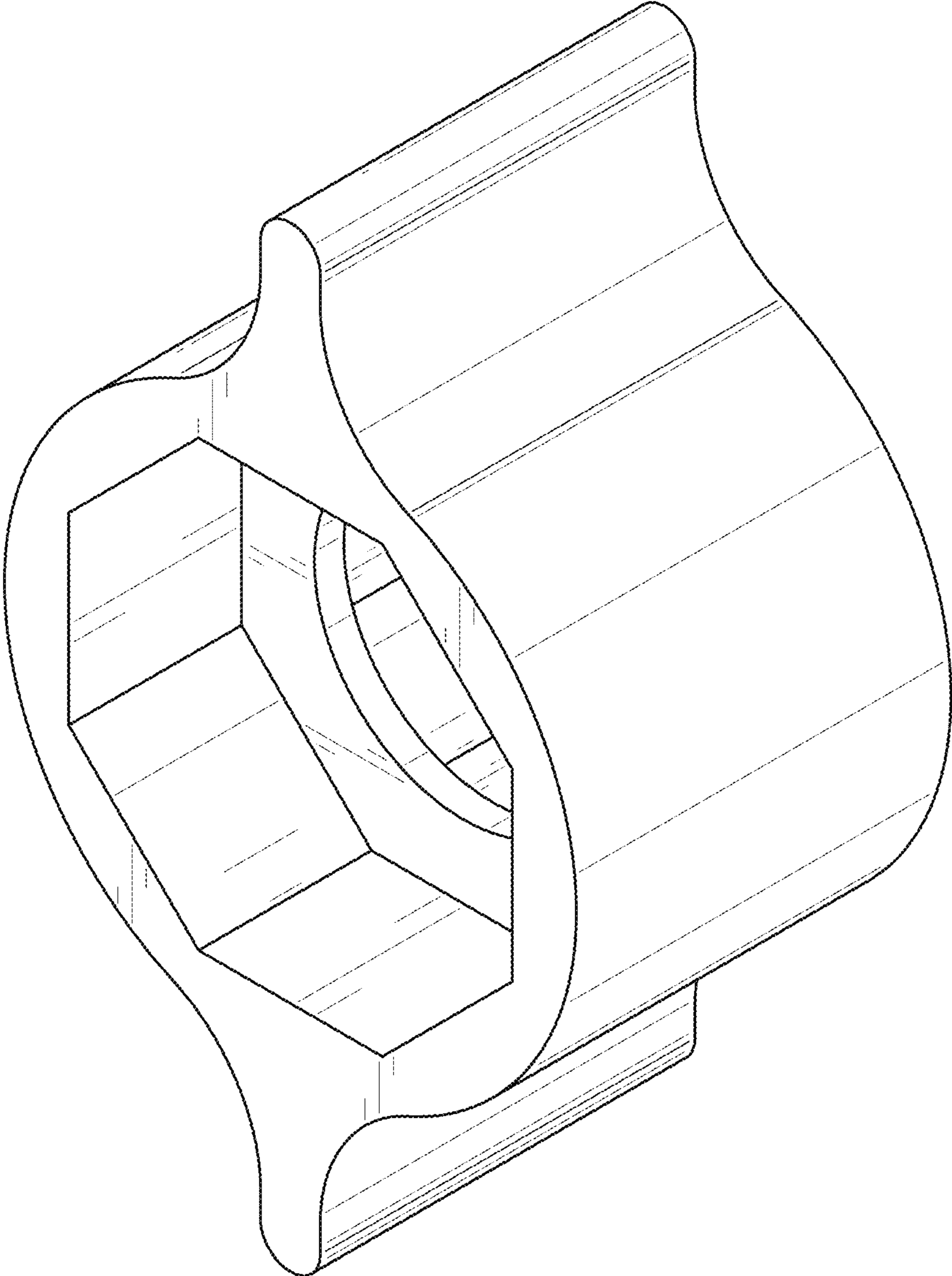


FIG. 25

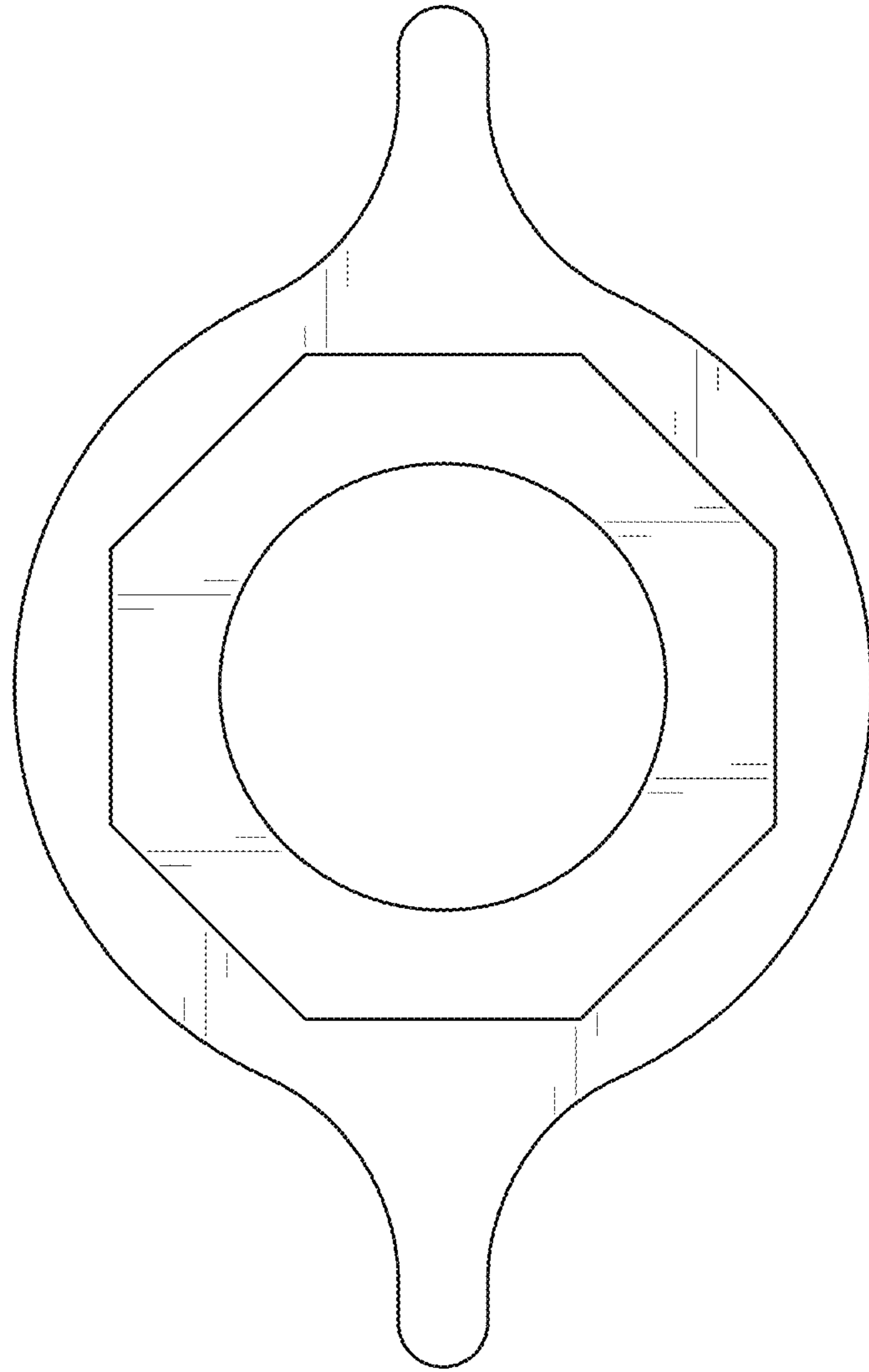


FIG. 26

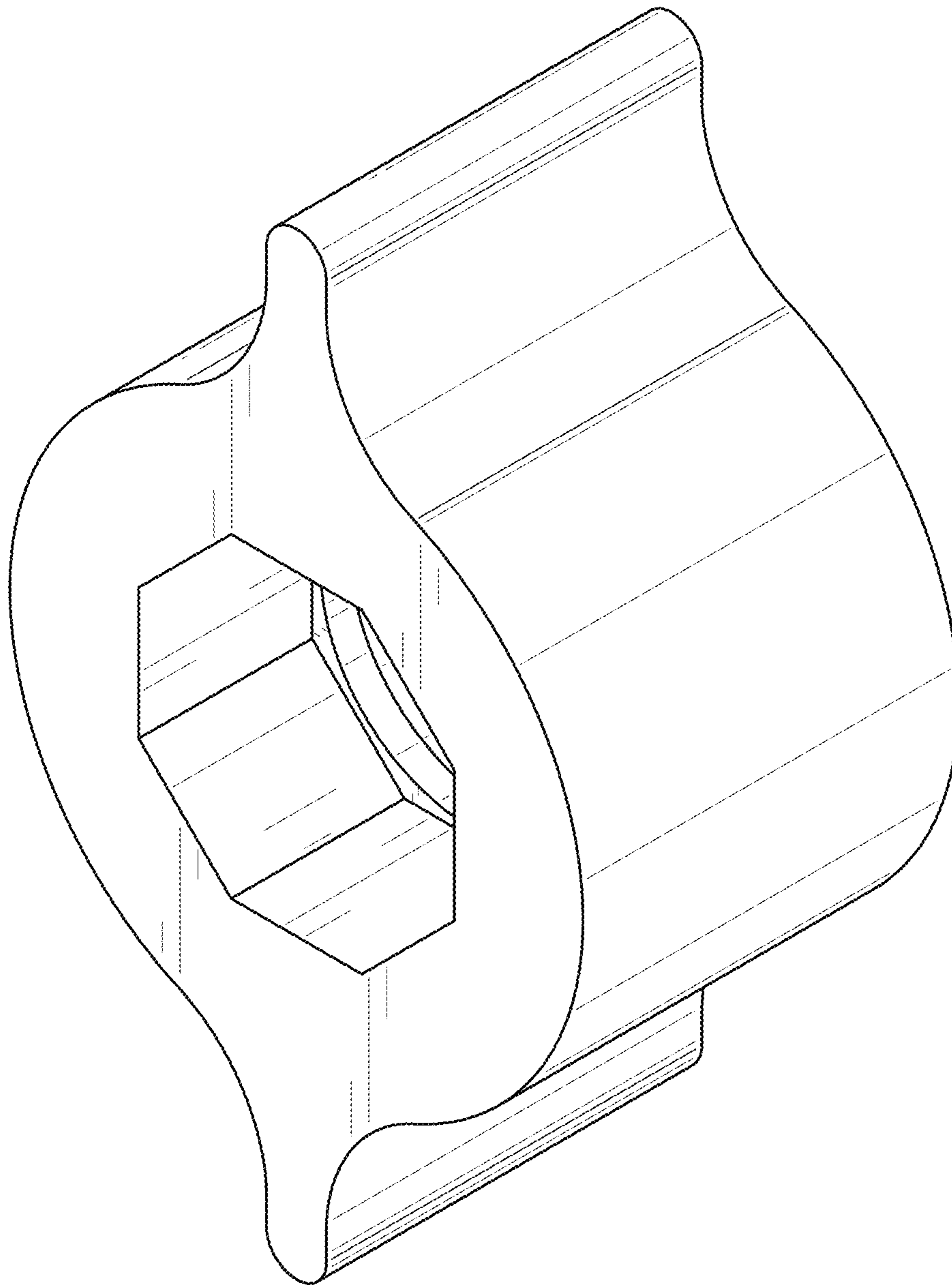


FIG. 27

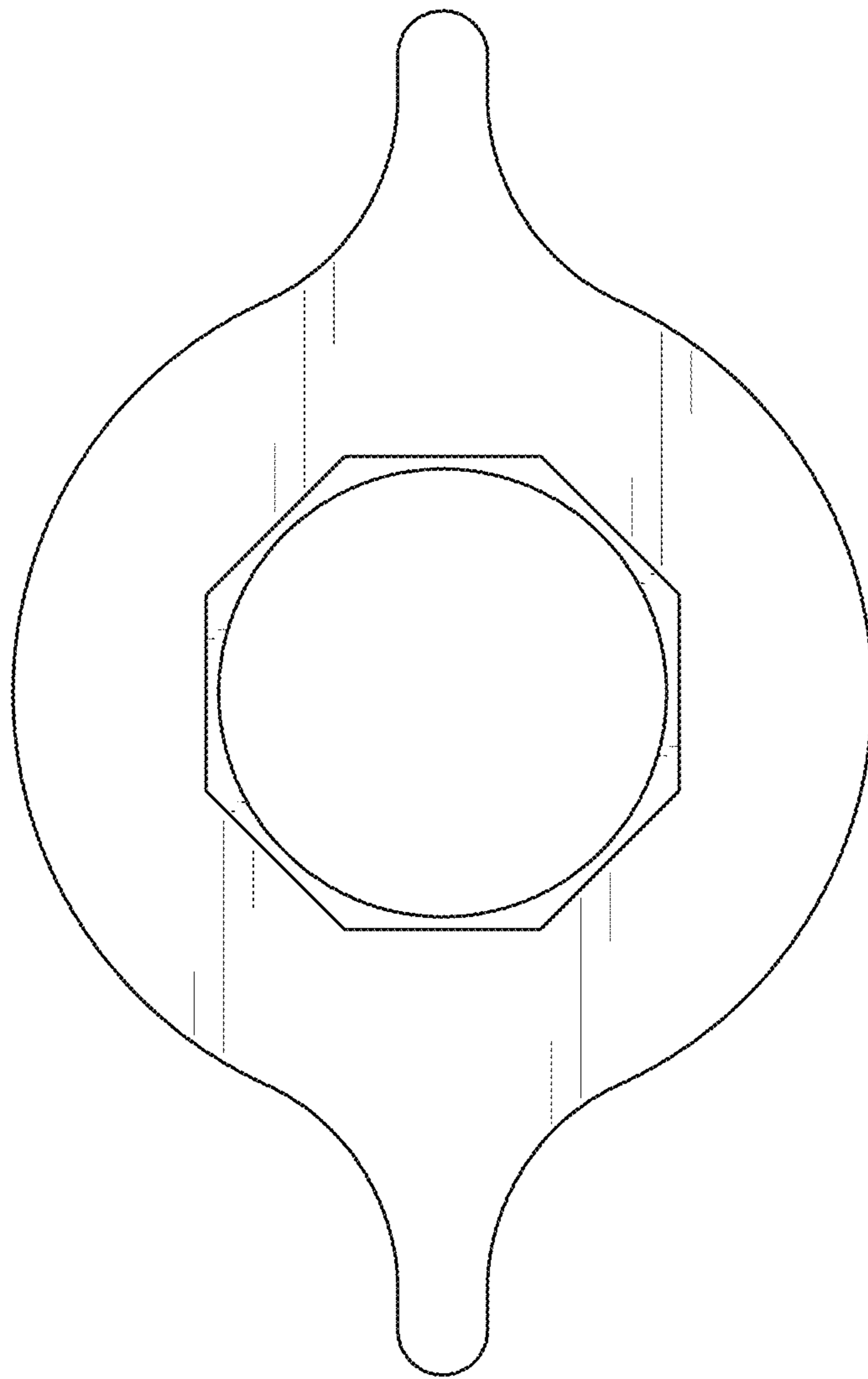


FIG. 28



FIG. 29



FIG. 30

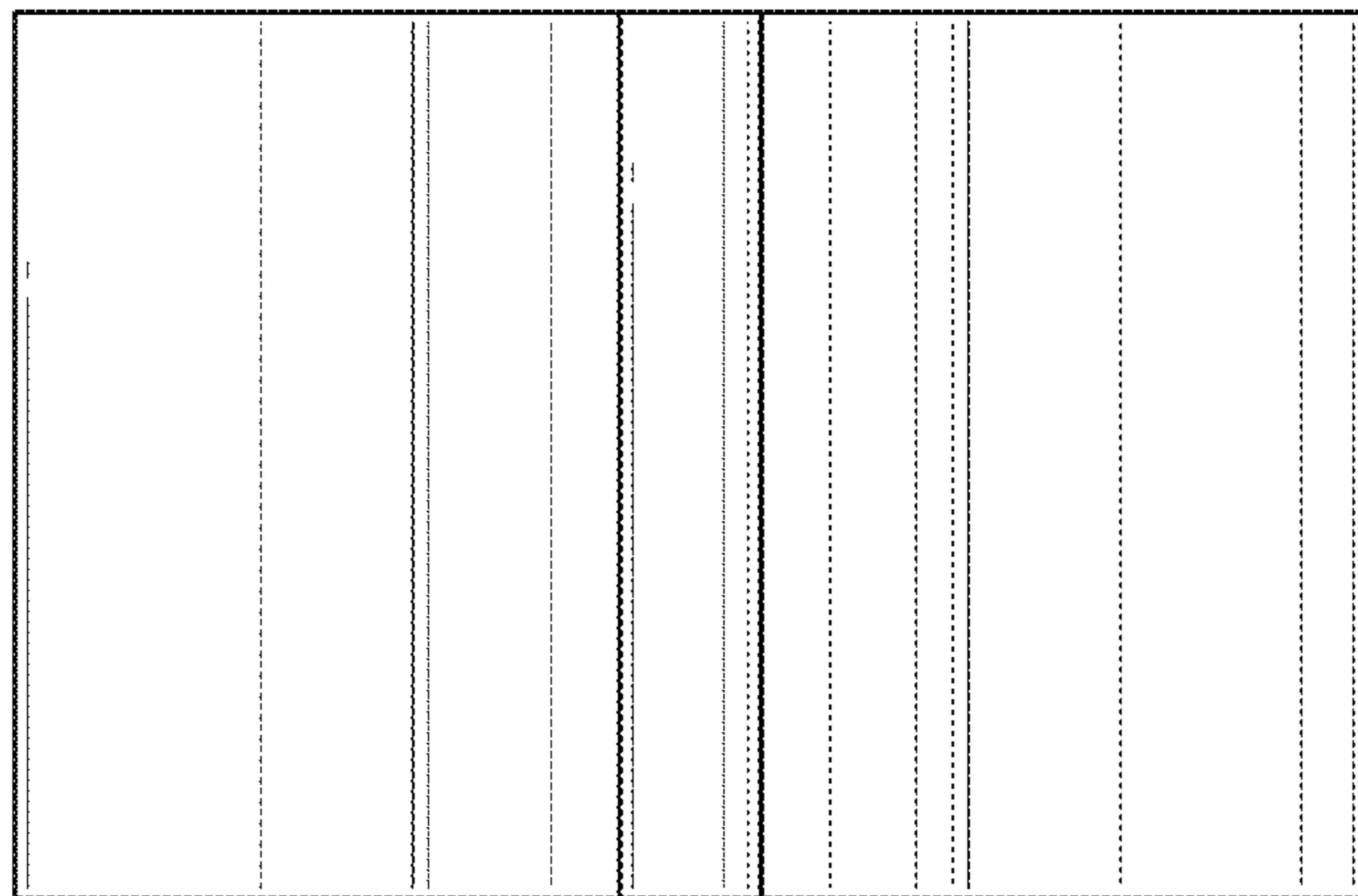


FIG. 31

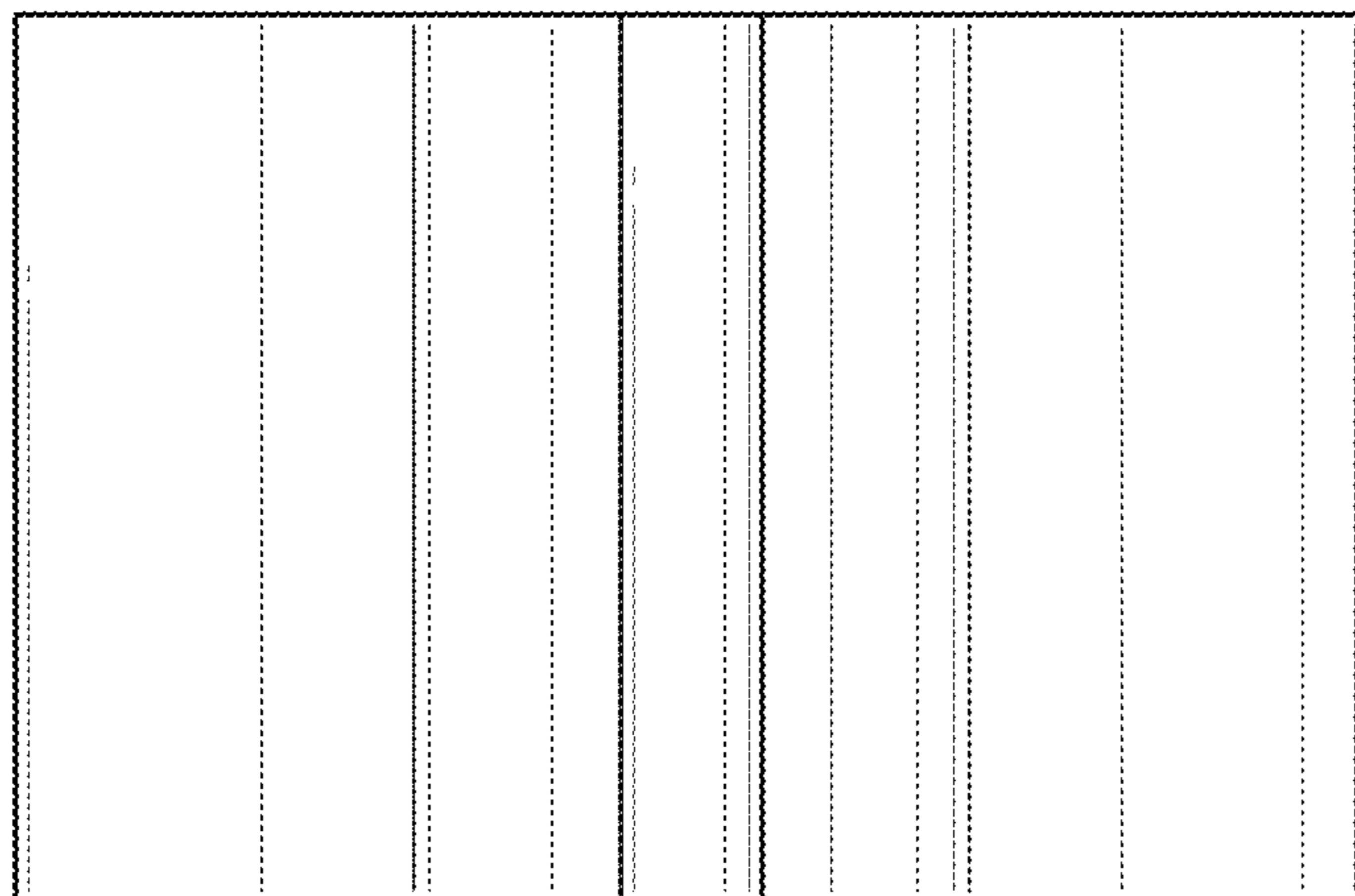


FIG. 32