



US00D795396S

(12) **United States Design Patent** (10) **Patent No.:** **US D795,396 S**
Kaule et al. (45) **Date of Patent:** **** Aug. 22, 2017**

(54) **FAUCET SPRAYER** D541,384 S 4/2007 Citterio
 7,380,731 B1 * 6/2008 Hsu E03C 1/0404
 239/391

(71) Applicant: **Kohler Co.**, Kohler, WI (US) D605,260 S 12/2009 Allard
 D651,284 S 12/2011 Flowers
 D698,903 S 2/2014 Gilbert
 D704,803 S 5/2014 Hashimoto
 D721,164 S 1/2015 Georgeson
 D767,726 S 9/2016 Mazz
 D786,404 S * 5/2017 Kaule D23/238

(72) Inventors: **Brian M. Kaule**, Yardley, PA (US);
Anna-Pia K. Slothower, Mill Valley,
 CA (US)

(73) Assignee: **KOHLER CO.**, Kohler, WI (US)

(**) Term: **15 Years**

(21) Appl. No.: **29/588,369**

(22) Filed: **Dec. 20, 2016**

Related U.S. Application Data

(62) Division of application No. 29/540,213, filed on Sep. 22, 2015, now Pat. No. Des. 786,404.

(51) **LOC (10) Cl.** **23-01**

(52) **U.S. Cl.**
 USPC **D23/255**

(58) **Field of Classification Search**
 USPC D23/238-243, 249, 255, 257
 CPC A47K 3/28; A47L 17/00; E03C 1/0401;
 E03C 1/0404; E03C 1/057; E03C 1/0409;
 E03C 1/05; Y10T 29/49826; G05D
 7/0629; F16K 19/006
 See application file for complete search history.

(56) **References Cited**

U.S. PATENT DOCUMENTS

2,971,520 A * 2/1961 Motis A47K 3/28
 134/172

D420,726 S 2/2000 Slothower
 D479,309 S 9/2003 Haug
 D513,526 S 1/2006 Marshall
 D520,114 S * 5/2006 Starck D23/238
 D532,486 S 11/2006 Barry

OTHER PUBLICATIONS

U.S. Appl. No. 29/536,259, filed Aug. 14, 2015, Kohler Co.

* cited by examiner

Primary Examiner — Robert A Delehanty
 (74) *Attorney, Agent, or Firm* — Foley & Lardner LLP

(57) **CLAIM**

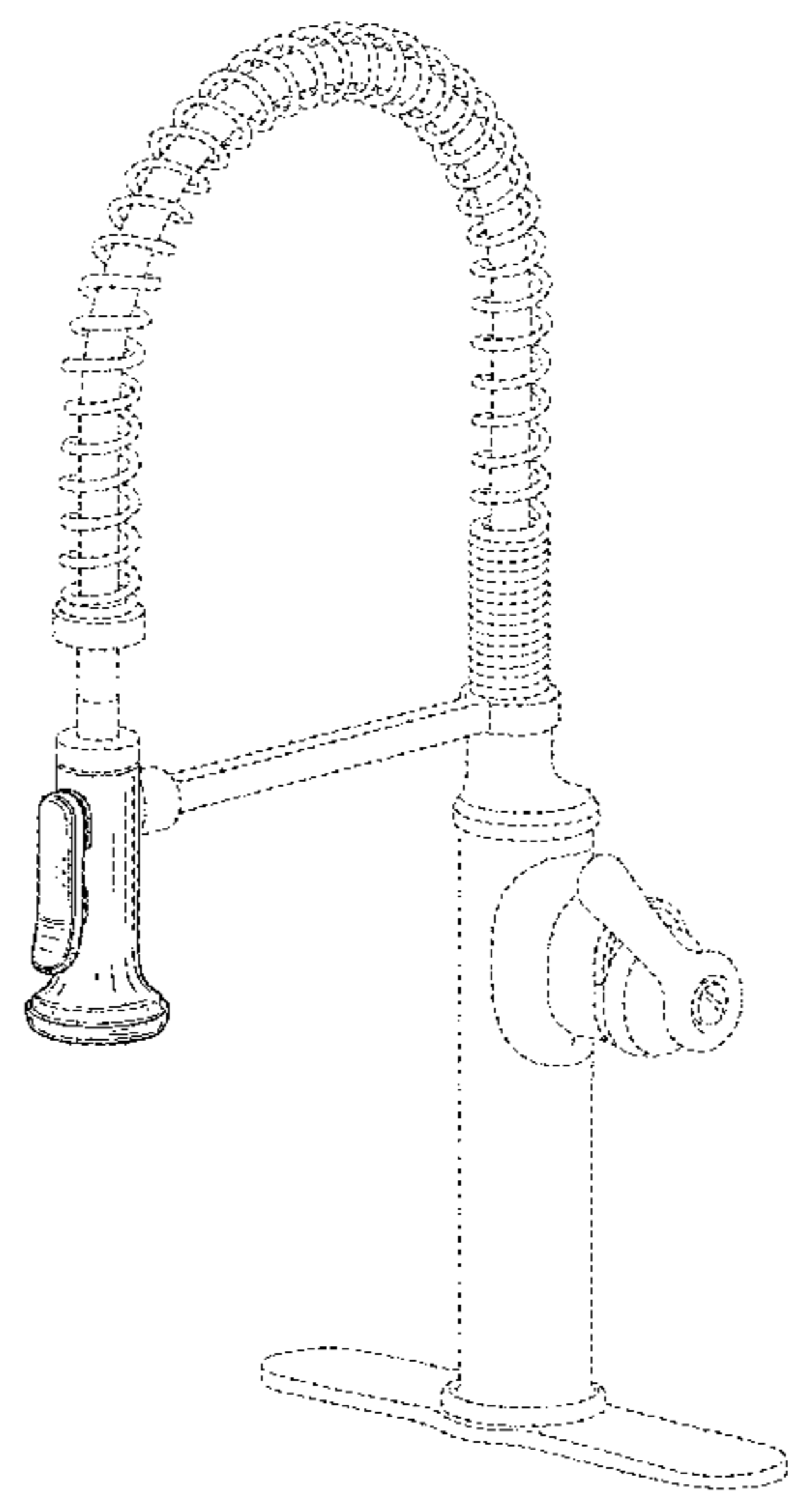
We claim the ornamental design for a faucet sprayer, as shown and described.

DESCRIPTION

FIG. 1 is a top, front, right perspective view of an embodiment of the claimed design;
 FIG. 2 is a front elevation view thereof;
 FIG. 3 is a rear elevation view thereof;
 FIG. 4 is a right side elevation view thereof;
 FIG. 5 is a left side elevation view thereof;
 FIG. 6 is a top plan view thereof; and,
 FIG. 7 is a bottom plan view thereof.

The ornamental design which is claimed is shown in solid lines in the drawings. The broken lines in the drawings form no part of the claimed design. Broken lines formed by equal length dashes show unclaimed subject matter. Broken lines formed of unequal length dashes (i.e., dash-dot) define bounds of the claimed design.

1 Claim, 7 Drawing Sheets



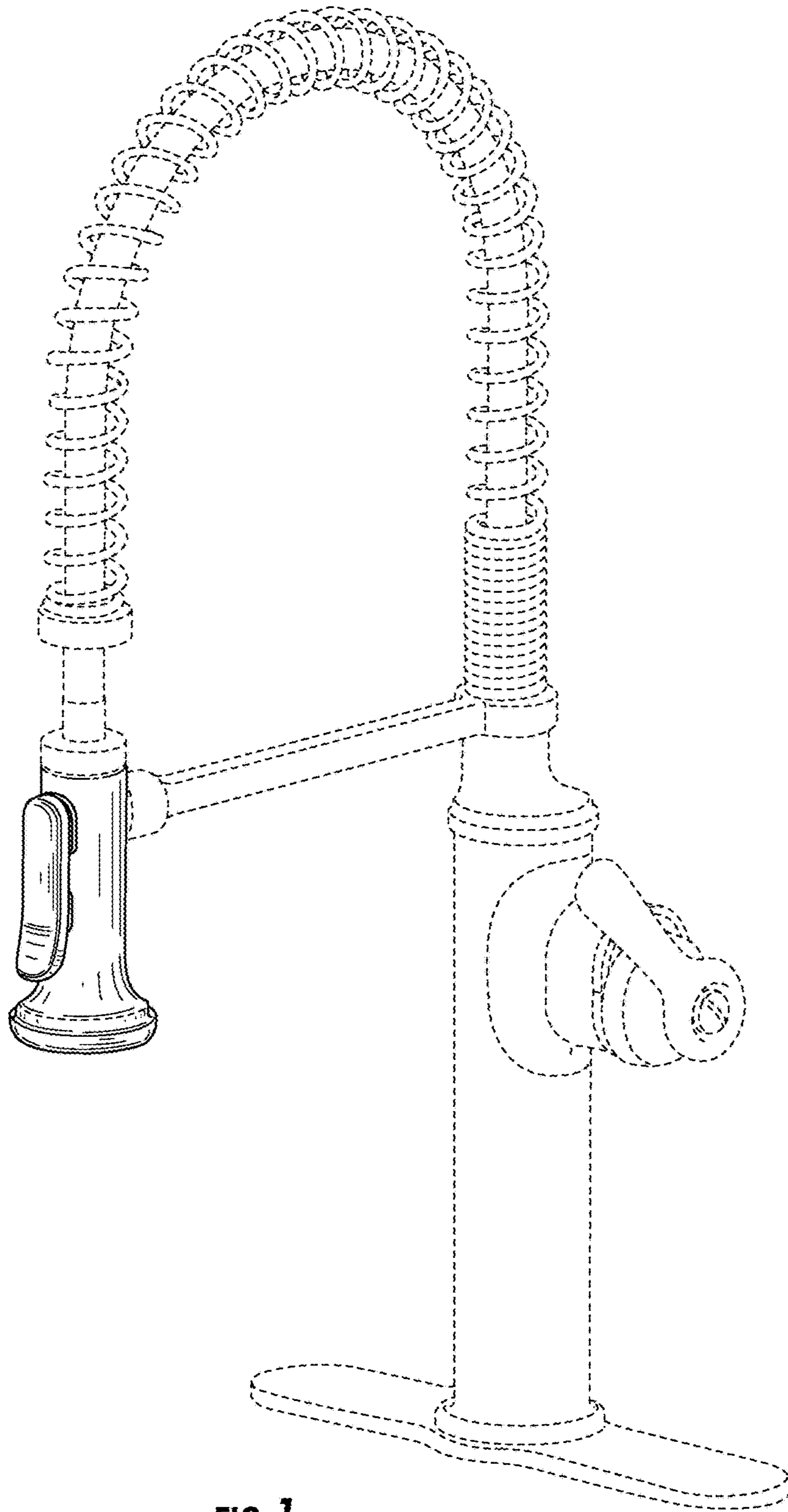


FIG 1

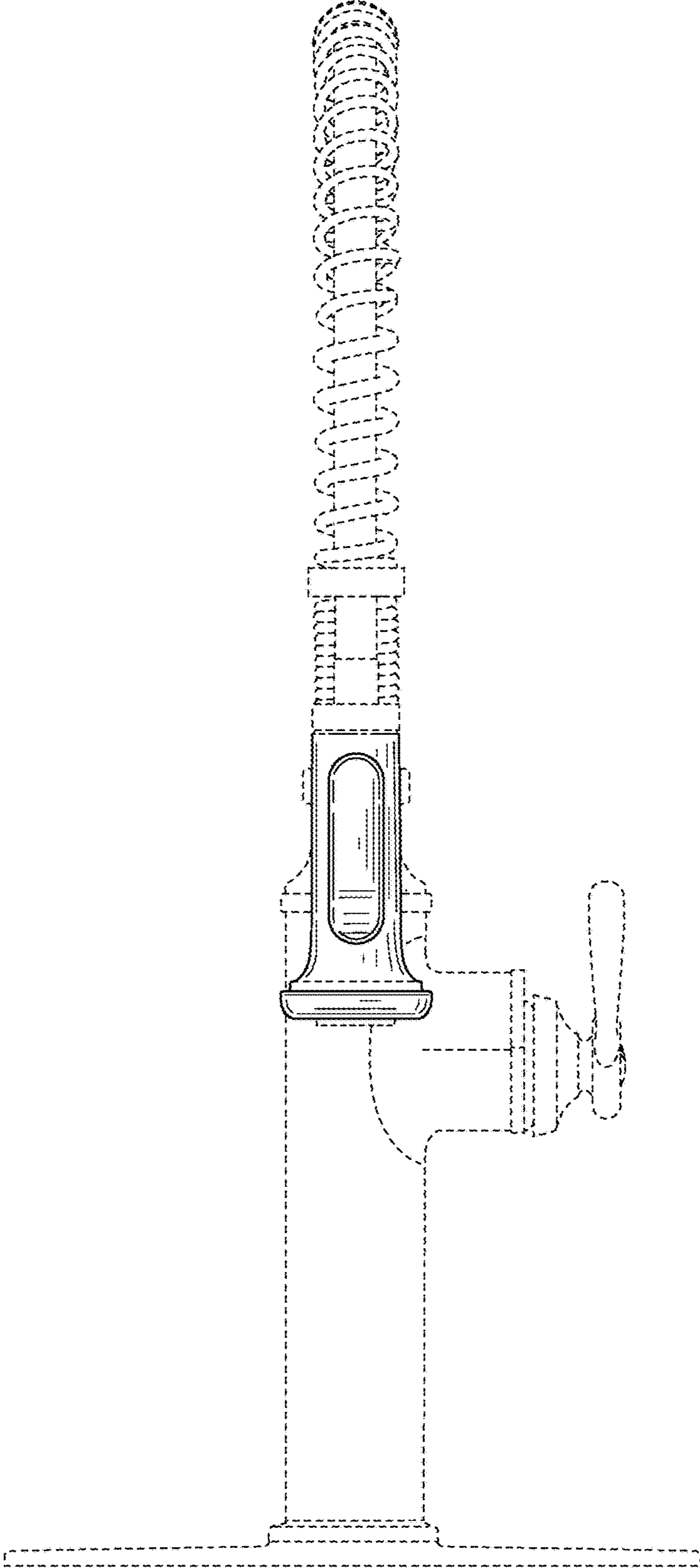


FIG. 2

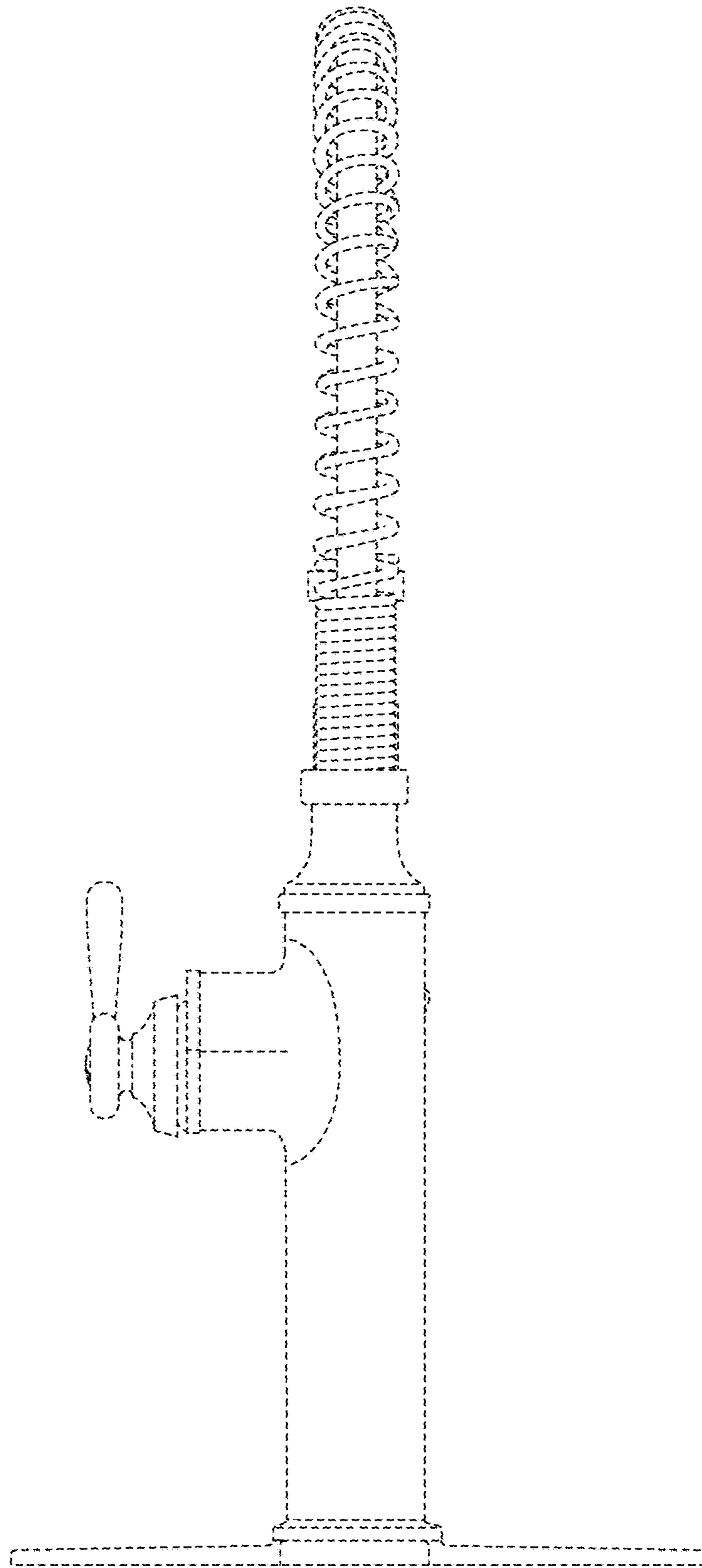


FIG. 3

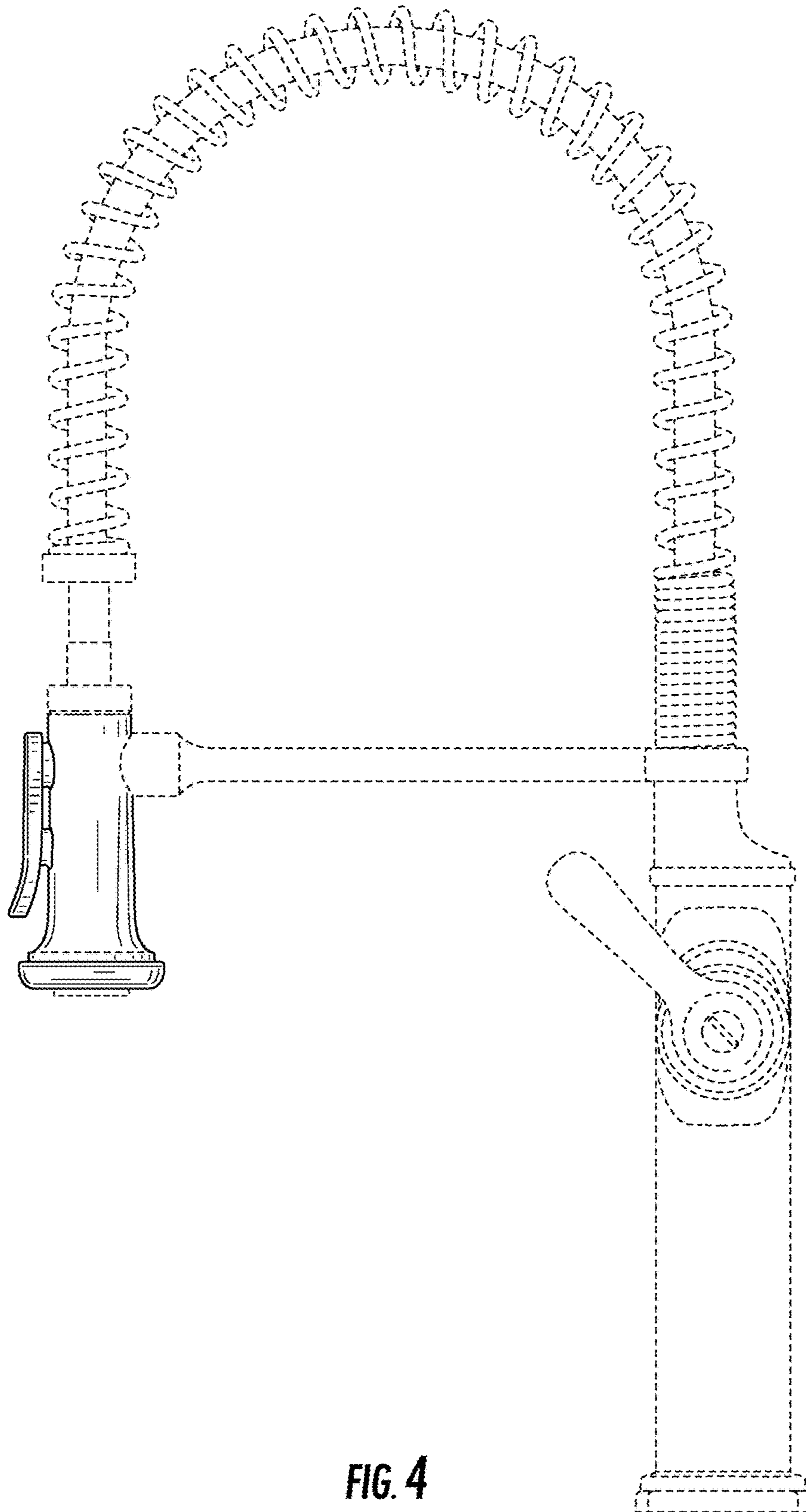


FIG. 4

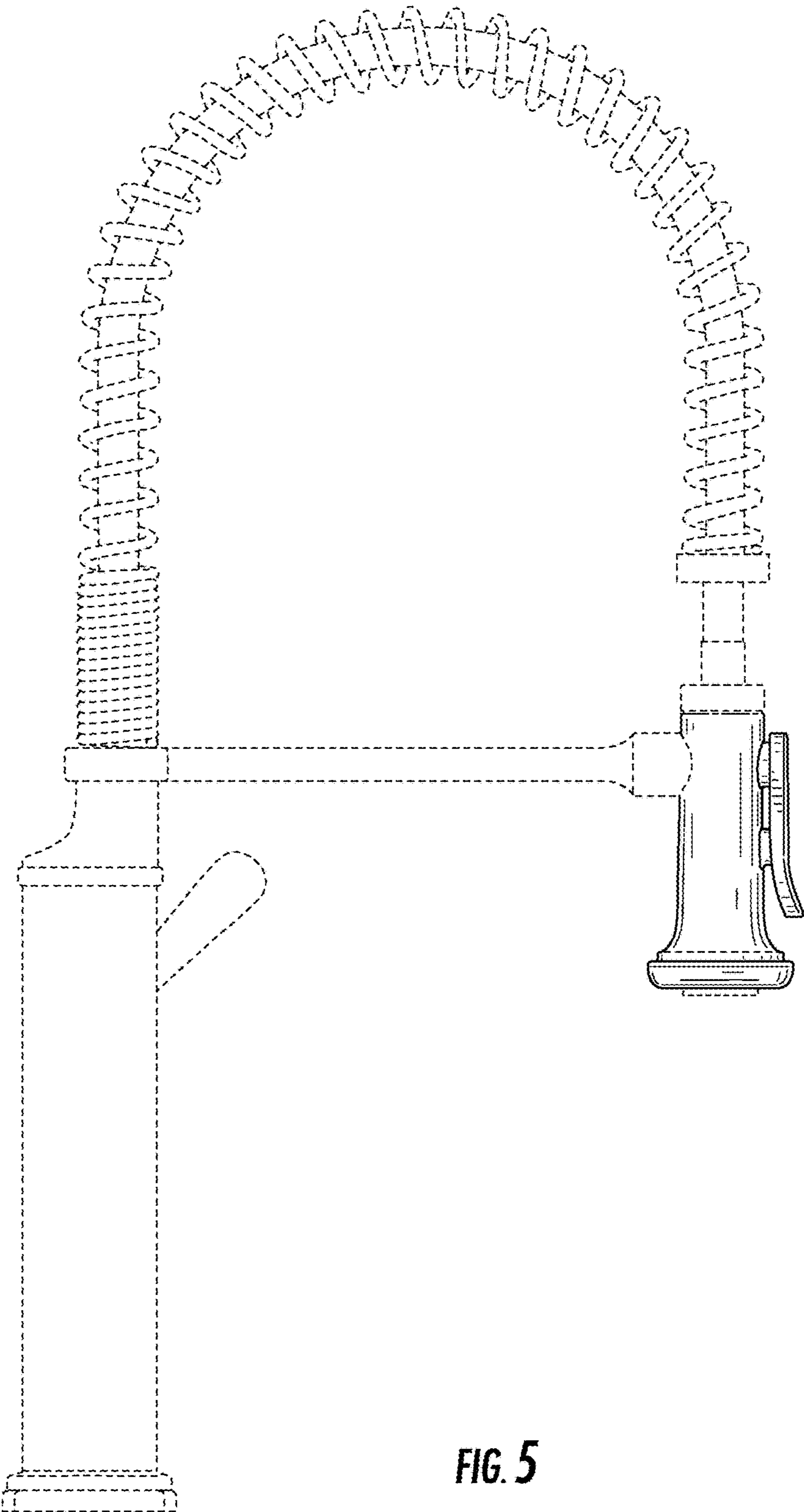


FIG. 5

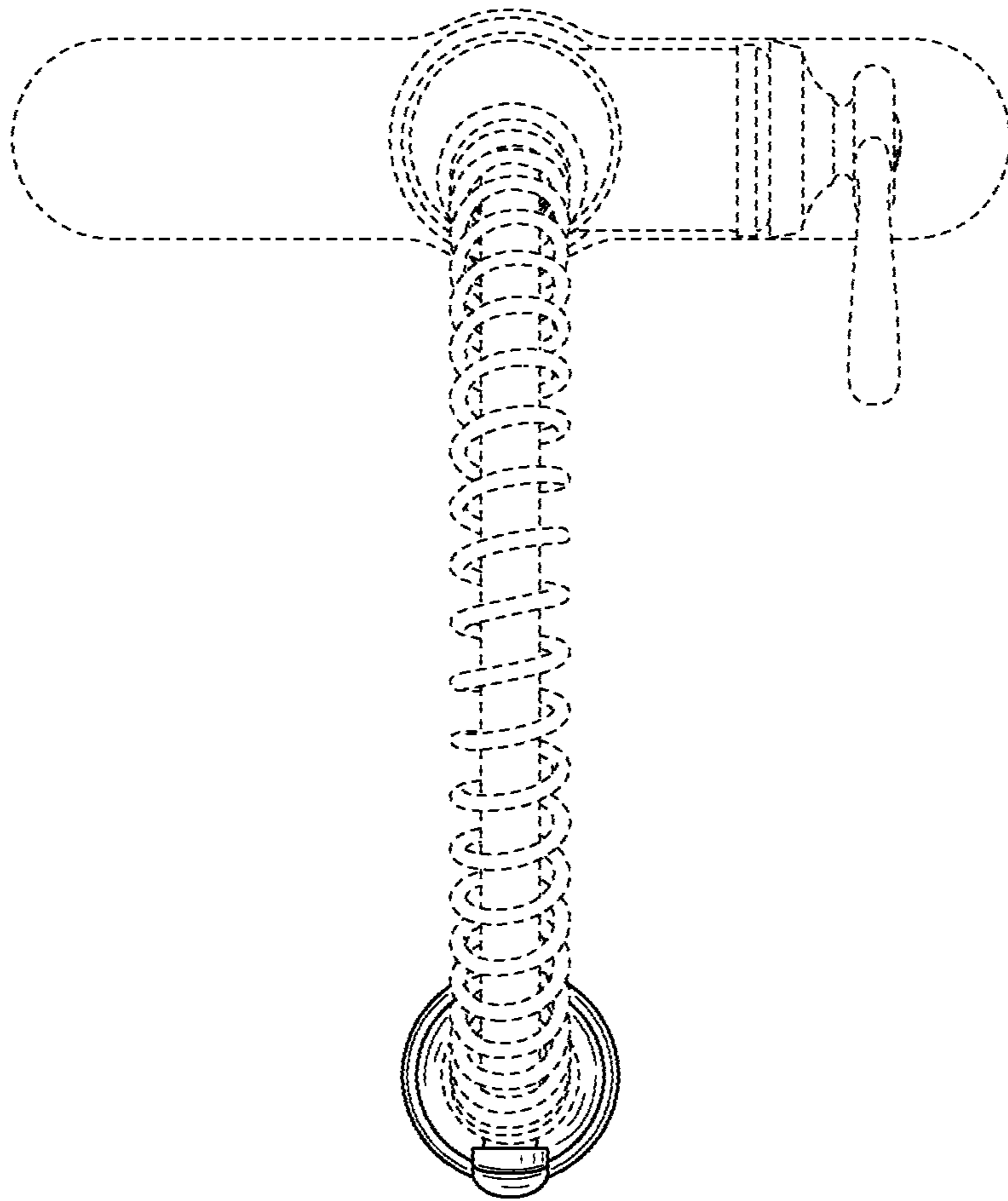


FIG. 6

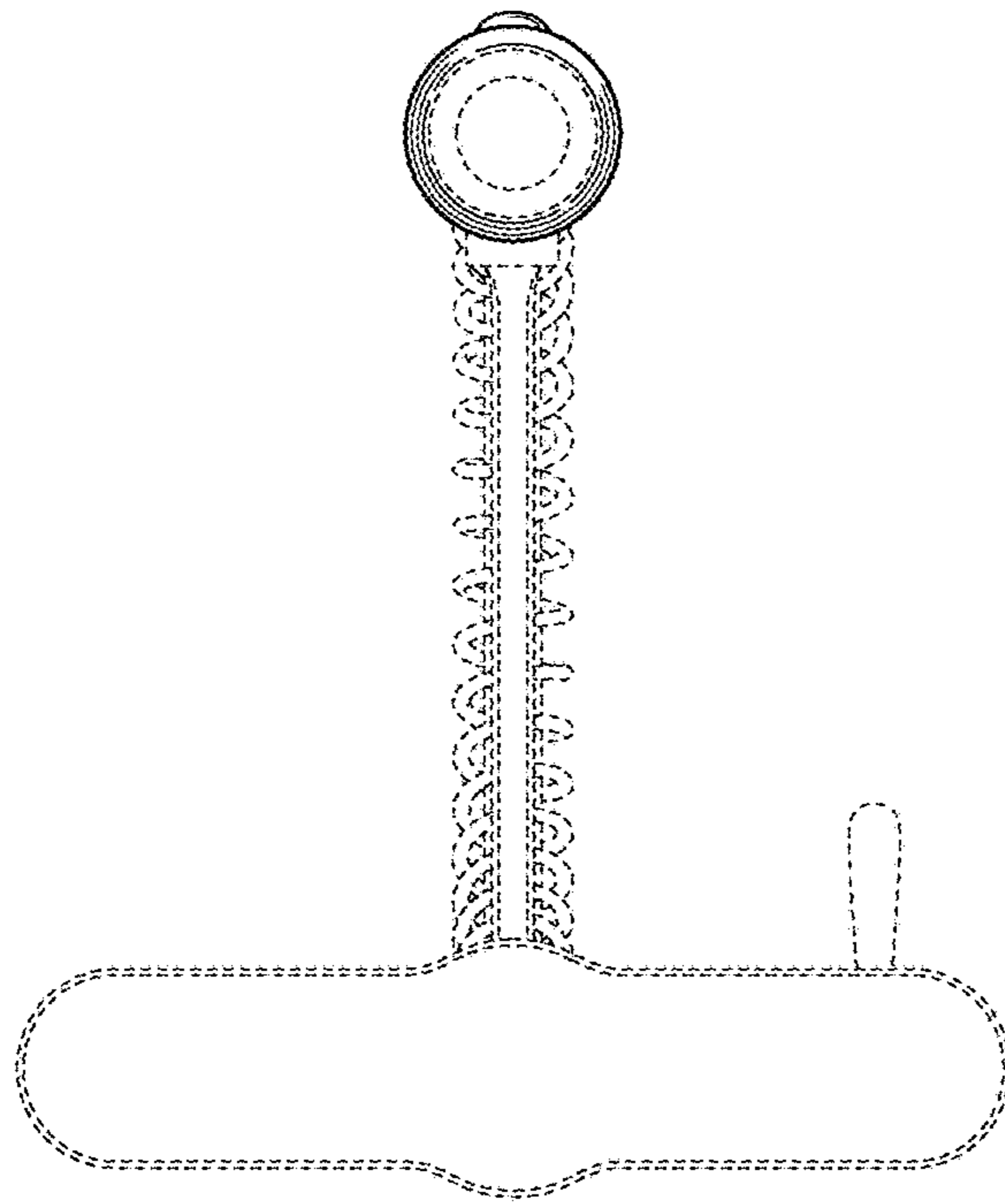


FIG. 7