



US00D795395S

(12) **United States Design Patent** (10) **Patent No.:** **US D795,395 S**  
**Kington et al.** (45) **Date of Patent:** **\*\* Aug. 22, 2017**

(54) **SHOWER CONTROLLER**

- (71) Applicant: **Kohler Mira Limited**, Cheltenham (GB)
- (72) Inventors: **Gary John Kington**, Cheltenham (GB);  
**Simon Mark Browning**, London (GB)
- (73) Assignee: **KOHLER MIRA LIMITED** (GB)
- (\*\*) Term: **15 Years**
- (21) Appl. No.: **29/586,552**
- (22) Filed: **Dec. 5, 2016**

**Related U.S. Application Data**

- (62) Division of application No. 29/533,866, filed on Jul. 22, 2015, now Pat. No. Des. 774,169.

(30) **Foreign Application Priority Data**

- Jan. 23, 2015 (EM) ..... 001429336
- (51) **LOC (10) Cl.** ..... **23-02**
- (52) **U.S. Cl.**  
USPC ..... **D23/250**
- (58) **Field of Classification Search**  
USPC ..... D23/238, 241-243, 249, 250, 252, 254  
CPC ..... E03C 1/04; E03C 1/0401; E03C 1/0402;  
E03C 1/0404

See application file for complete search history.

(56) **References Cited**

U.S. PATENT DOCUMENTS

D41,494 S	6/1911	Jensen et al.
D223,797 S	6/1972	Seeley
D243,608 S	3/1977	Mono
D285,108 S	8/1986	Ogilvie
D324,411 S	3/1992	Jolibois
D568,442 S	5/2008	Garner
D679,781 S	4/2013	Flowers
D740,395 S	10/2015	Flowers

*Primary Examiner* — Robert Delehanty

(74) *Attorney, Agent, or Firm* — Foley & Lardner LLP

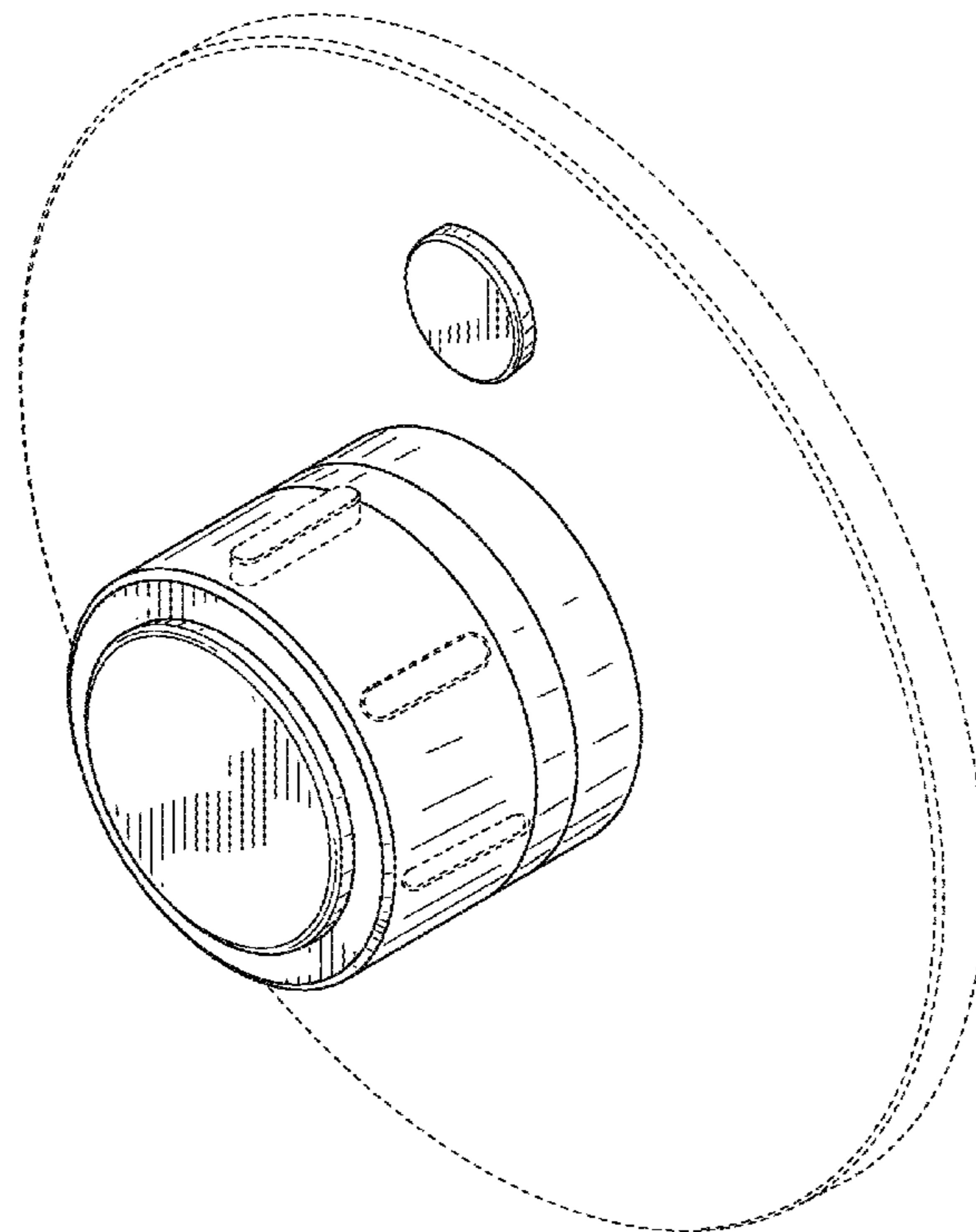
(57) **CLAIM**

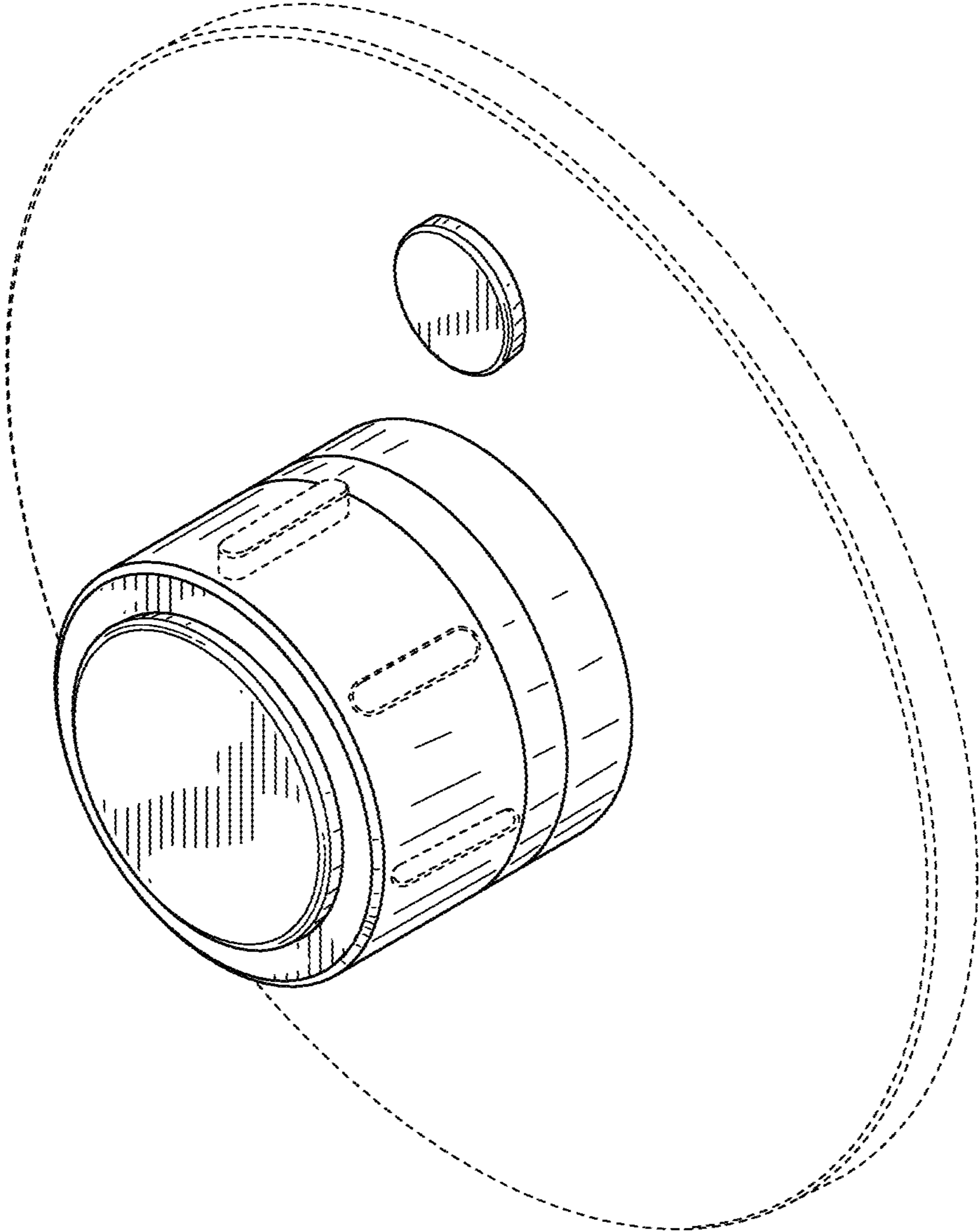
We claim the ornamental design for a shower controller, as shown and described.

**DESCRIPTION**

FIG. 1 is a perspective view of an embodiment of the claimed design;  
FIG. 2 is a front view thereof;  
FIG. 3 is a plan view thereof;  
FIG. 4 is a side view thereof;  
FIG. 5 is a perspective view of another embodiment of the claimed design;  
FIG. 6 is a front view thereof;  
FIG. 7 is a plan view thereof;  
FIG. 8 is a side view thereof; and,  
FIG. 9 is a side view thereof in an alternative position.  
The ornamental design which is claimed is shown in solid lines in the drawings. The broken lines in the drawings form no part of the claimed design.

**1 Claim, 6 Drawing Sheets**





**FIG. 1**

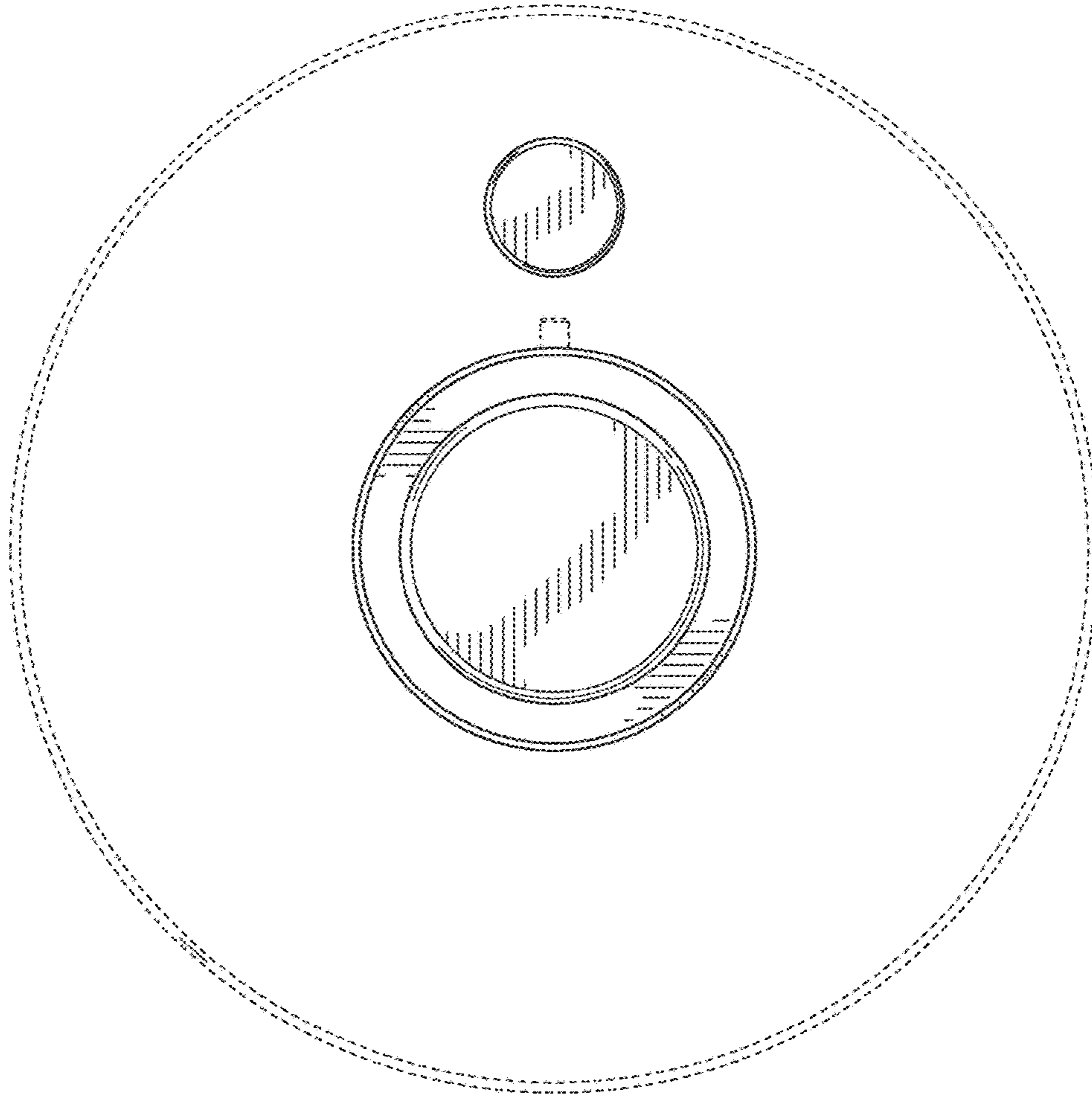


FIG. 2

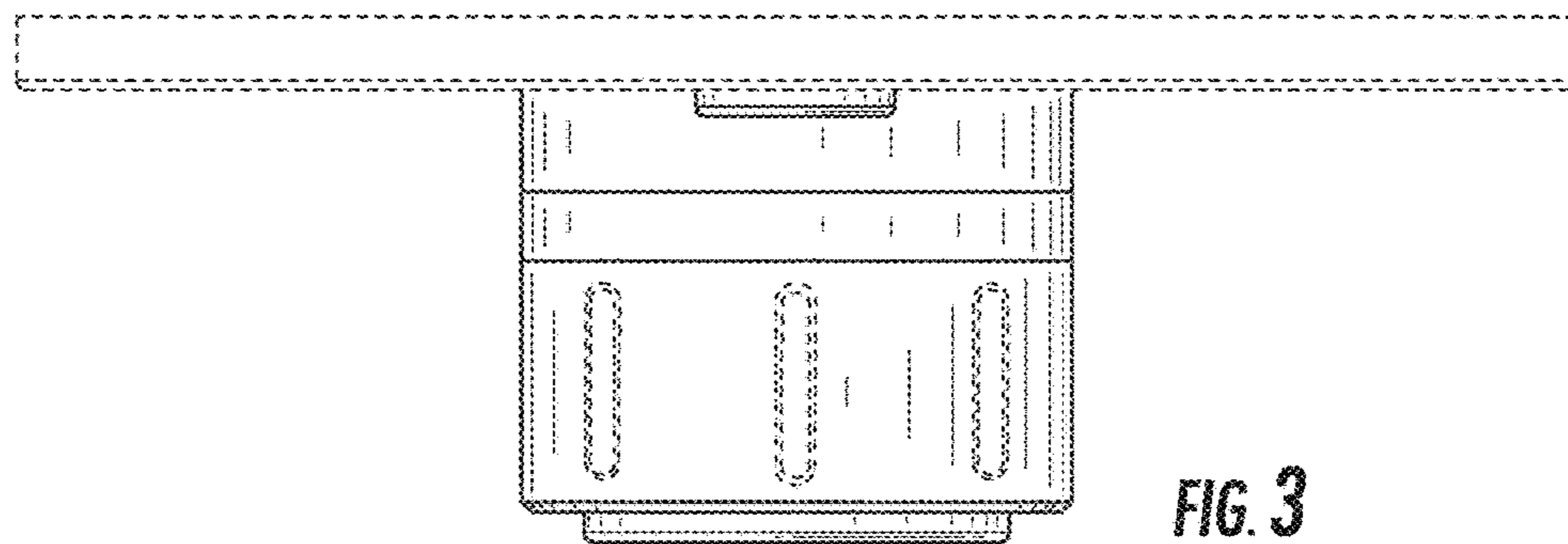


FIG. 3

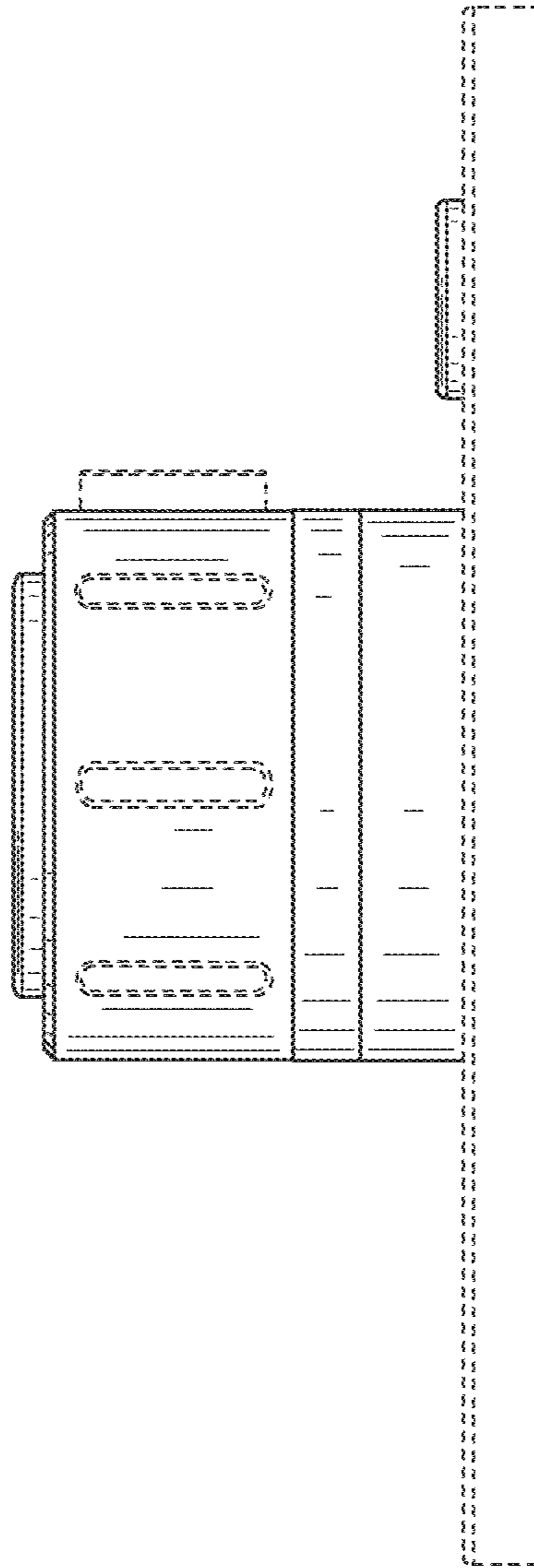
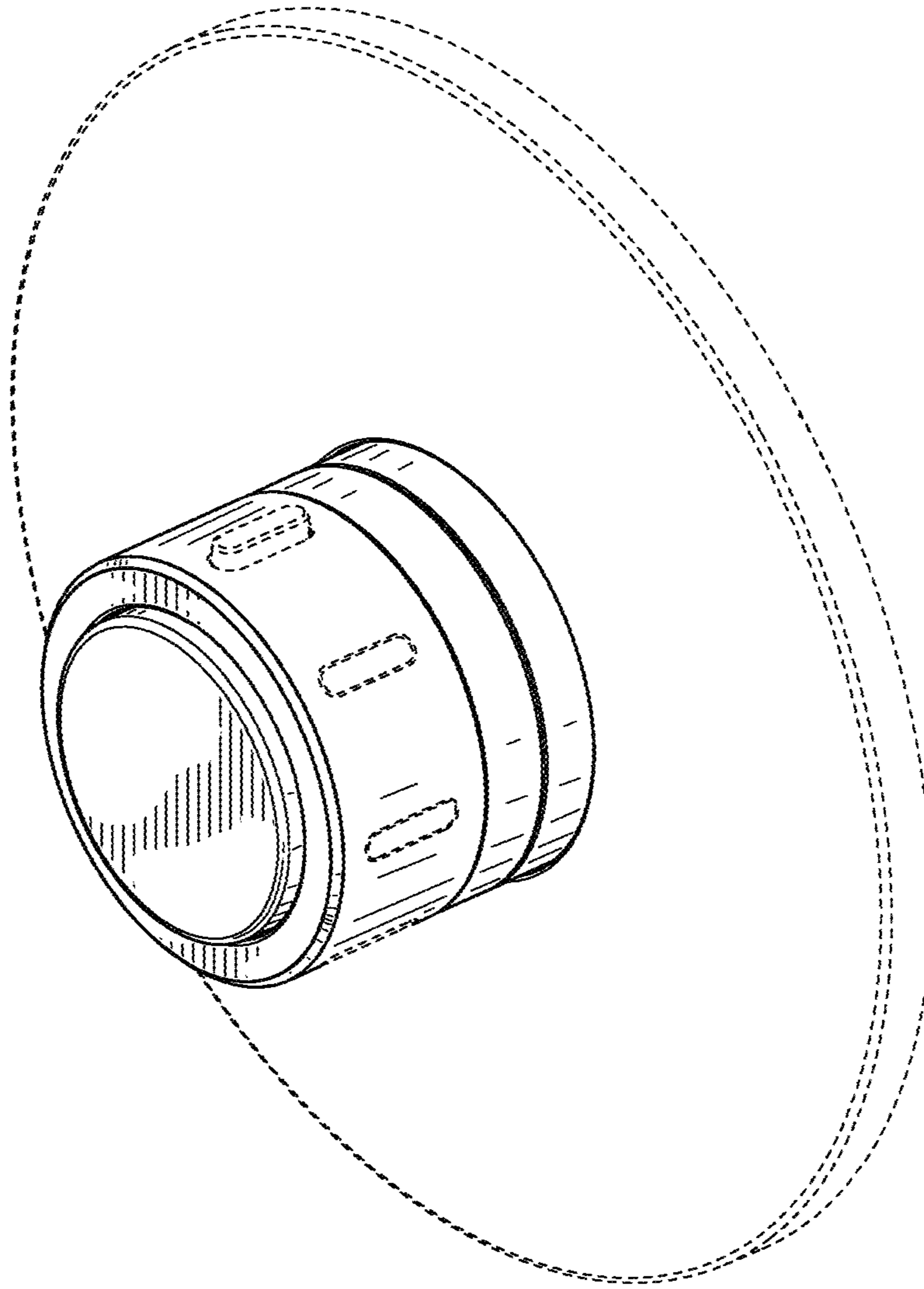


FIG. 4



**FIG. 5**

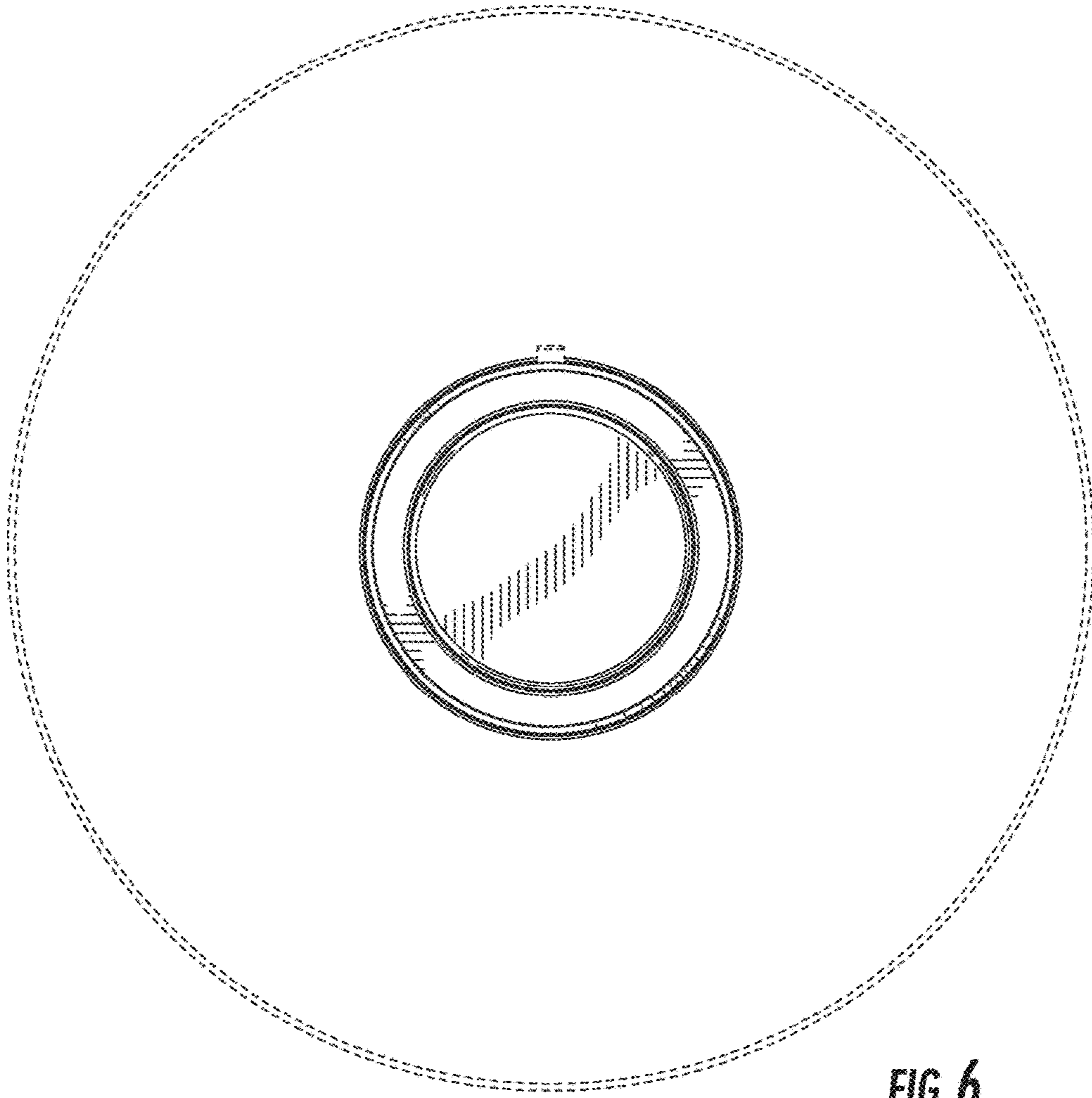


FIG. 6

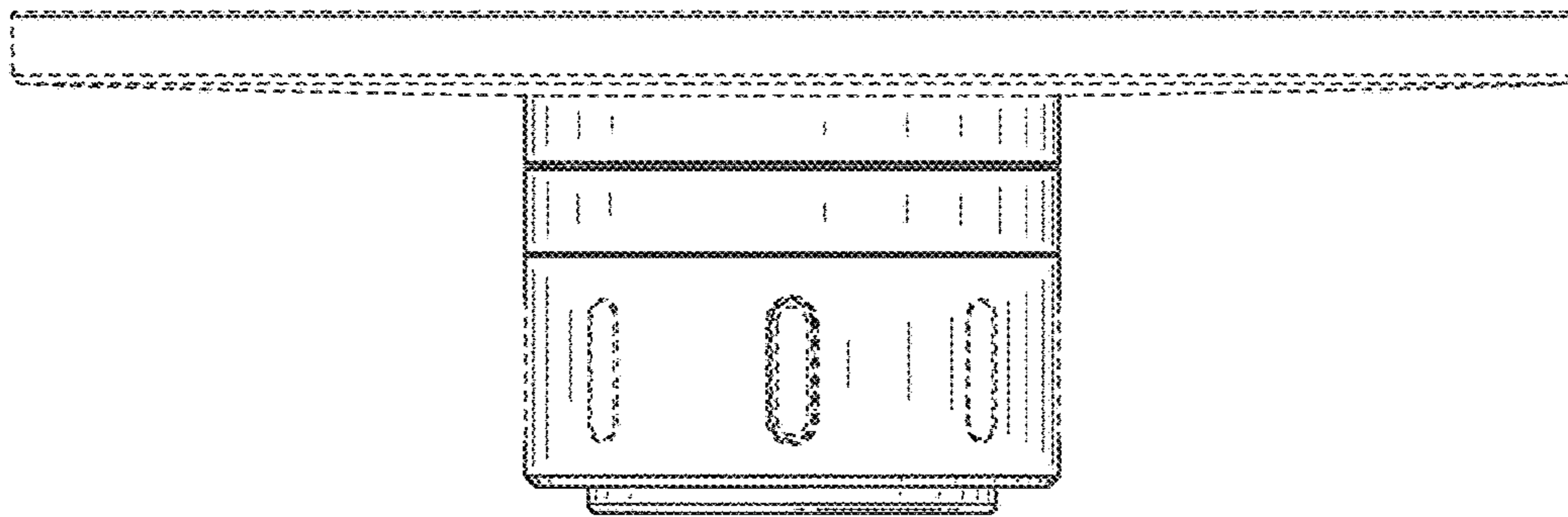


FIG. 7

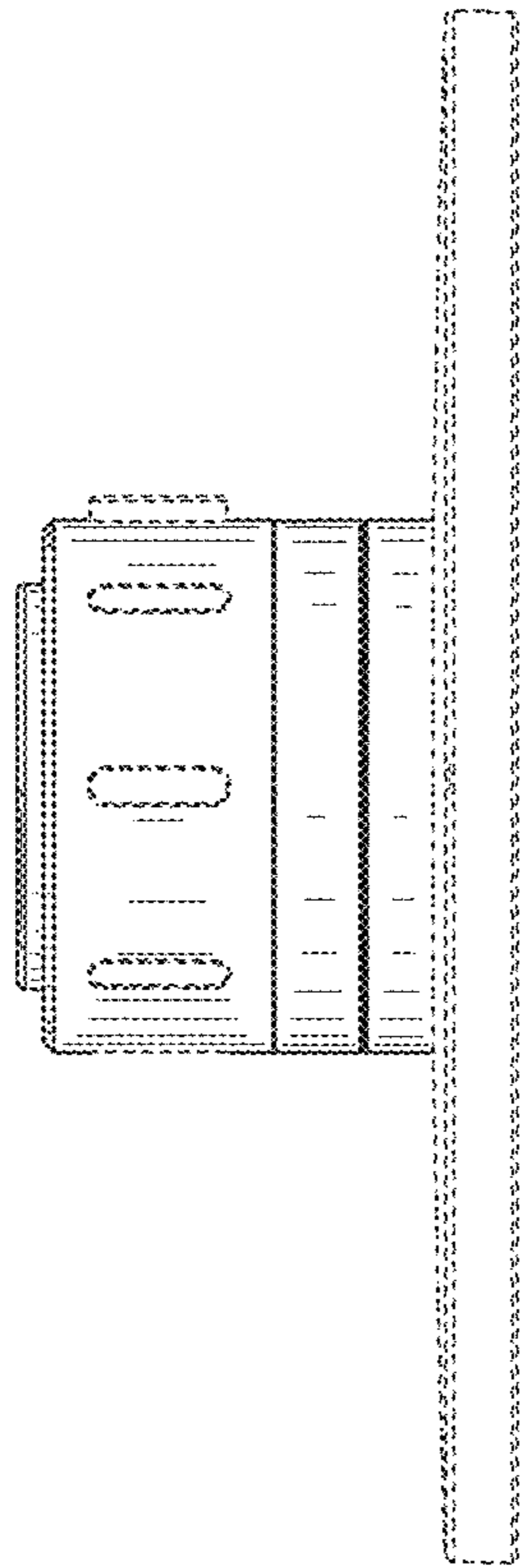


FIG. 8

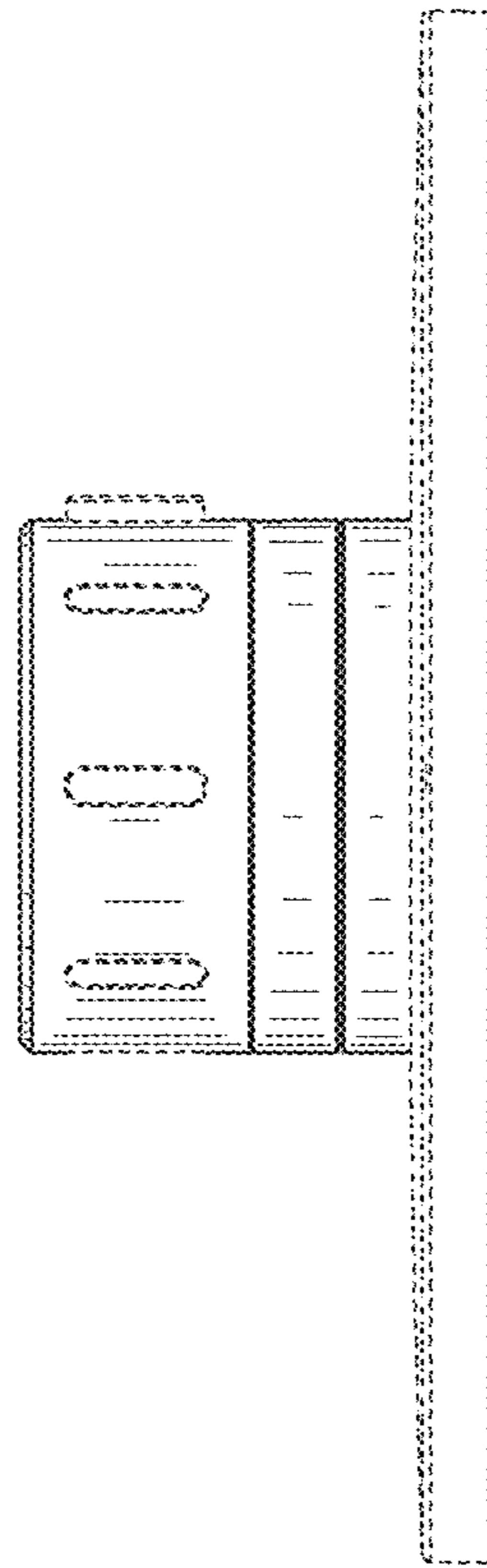


FIG. 9