



US00D795394S

(12) **United States Design Patent** (10) **Patent No.:** **US D795,394 S**  
**Schramski et al.** (45) **Date of Patent:** **\*\* Aug. 22, 2017**

- (54) **MOLDED CONNECTION PANEL**
- (71) Applicant: **B&B Molders, LLC**, Mishawaka, IN (US)
- (72) Inventors: **Adam Schramski**, Mishawaka, IN (US); **Michael Dittrich**, Granger, IN (US); **Brad Murphey**, Osceola, IN (US)
- (73) Assignee: **B & B MOLDERS, LLC**, Mishawaka, IN (US)
- (\*\*) Term: **15 Years**
- (21) Appl. No.: **29/532,071**
- (22) Filed: **Jul. 1, 2015**
- (51) **LOC (10) Cl.** ..... **23-01**
- (52) **U.S. Cl.**  
USPC ..... **D23/249**
- (58) **Field of Classification Search**  
USPC ..... D23/249, 269, 304; 206/557, 561, 564, 206/563, 541, 503, 322, 567; 220/574, 220/737, 780, 574.1; 426/115, 72, 107, 426/74, 87; D14/432, 434, 439, 447, D14/300, 451; D13/137.1-139.8; 29/428; 137/360, 382, 377, 454.5  
CPC ..... E03C 1/021; E03C 1/12; E03C 2001/028; E03C 1/042; E03C 1/1222; F16L 5/14  
See application file for complete search history.

- D663,732 S \* 7/2012 Desmarais ..... D14/434
- D764,638 S \* 8/2016 Schramski ..... D23/249
- 2012/0273064 A1\* 11/2012 Ismert ..... F16L 5/10  
137/360
- 2015/0026946 A1\* 1/2015 Ben Jacov ..... F16L 5/10  
29/428
- 2015/0259891 A1\* 9/2015 Ismert ..... E03C 1/12  
137/360

\* cited by examiner

*Primary Examiner* — Cynthia Ramirez  
*Assistant Examiner* — Gino Colan  
(74) *Attorney, Agent, or Firm* — Stephen T. Olson; Harness, Dickey & Pierce, P.L.C.

(57) **CLAIM**

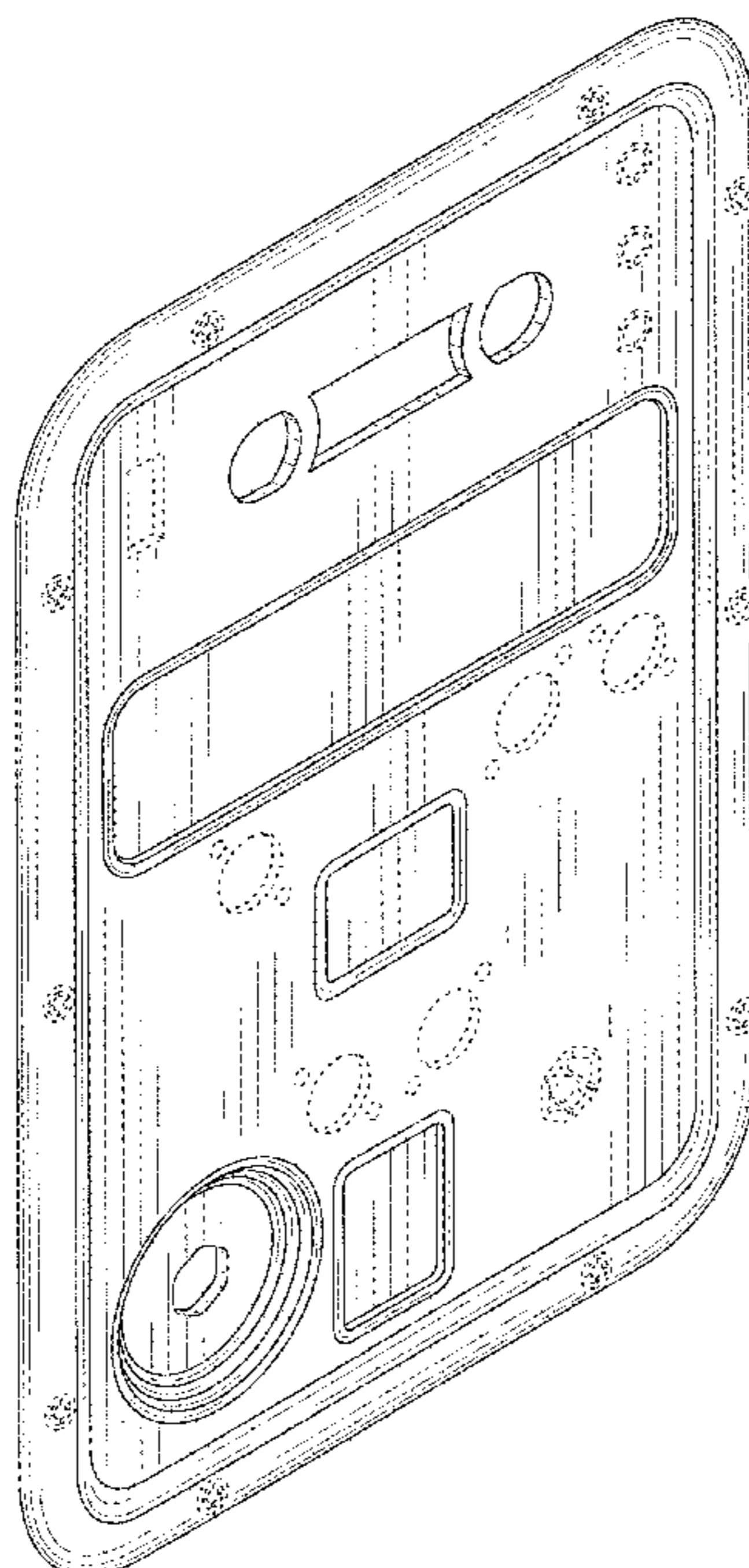
The ornamental design for a molded connection panel, as shown and described.

**DESCRIPTION**

FIG. 1 is a front perspective view of a molded connection panel showing our new design; FIG. 2 is a rear perspective view thereof; FIG. 3 is a front elevational view thereof; FIG. 4 is a rear elevational view thereof; FIG. 5 is a left elevational view thereof; FIG. 6 is a right elevational view thereof; FIG. 7 is a top plan view thereof; and, FIG. 8 is a bottom plan view thereof. The broken lines in the drawings are included for the purpose of illustrating portions of the molded connection panel and form no part of the claimed design.

**1 Claim, 6 Drawing Sheets**

- (56) **References Cited**  
U.S. PATENT DOCUMENTS  
D657,795 S \* 4/2012 Smith ..... D14/447  
D660,305 S \* 5/2012 Ho ..... D14/447



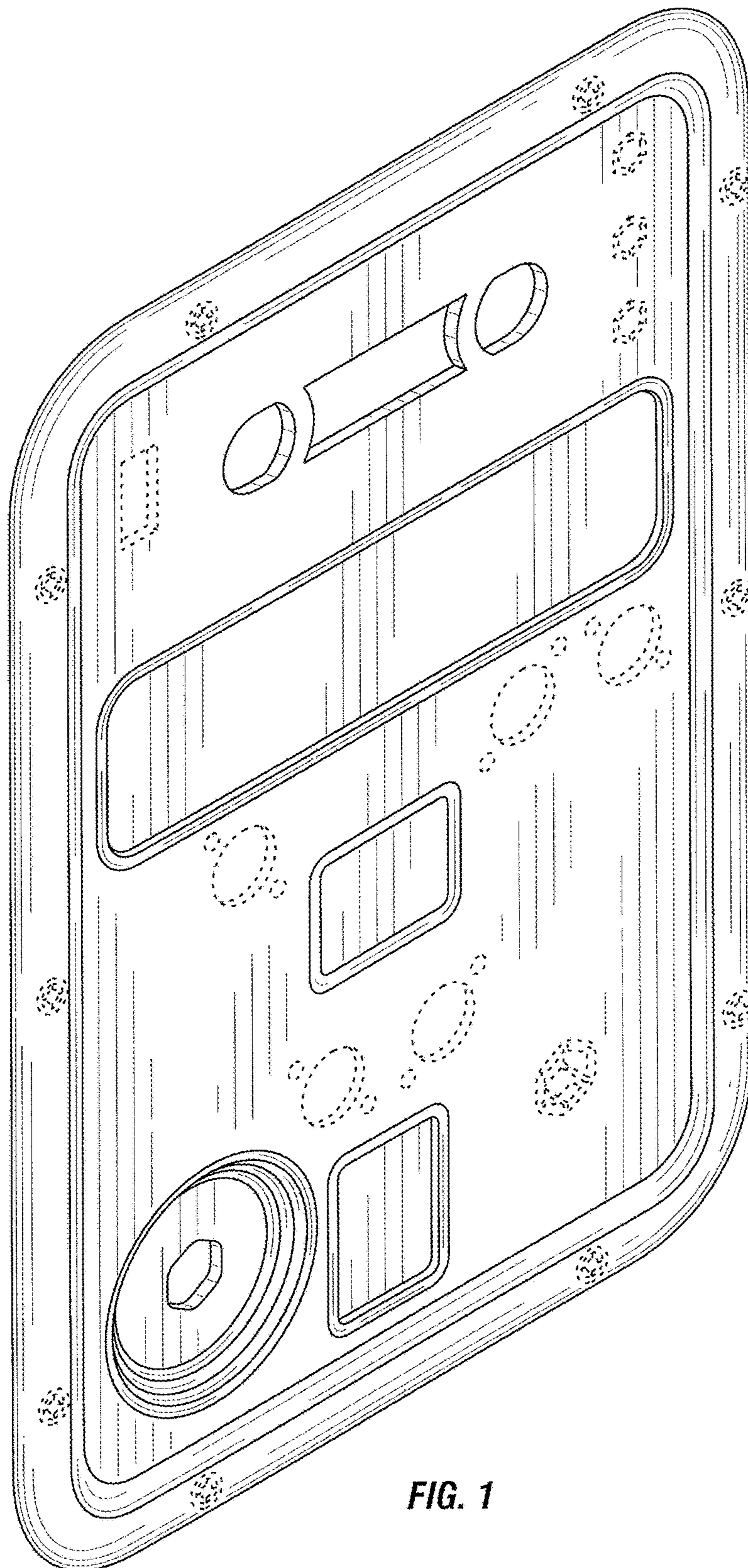


FIG. 1

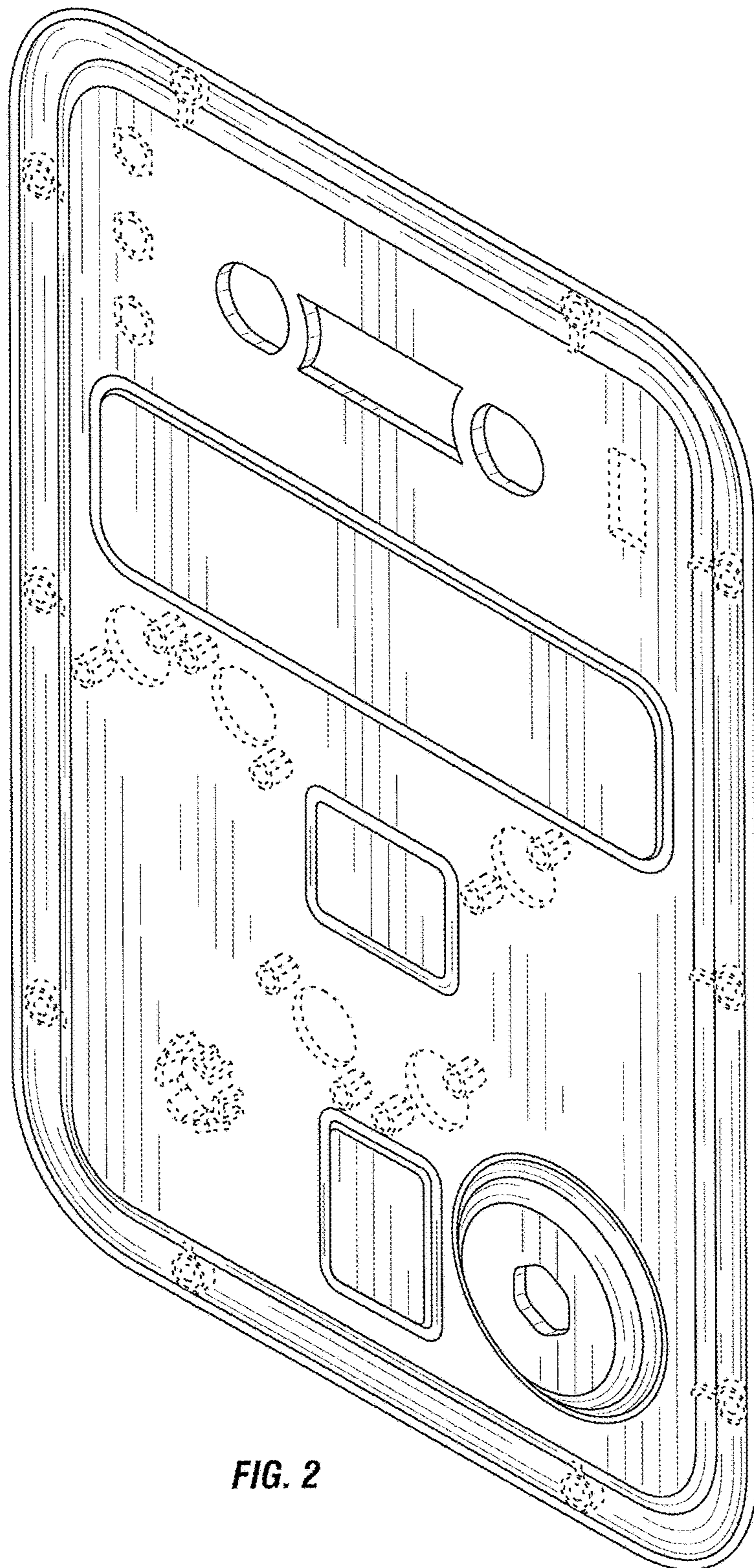


FIG. 2

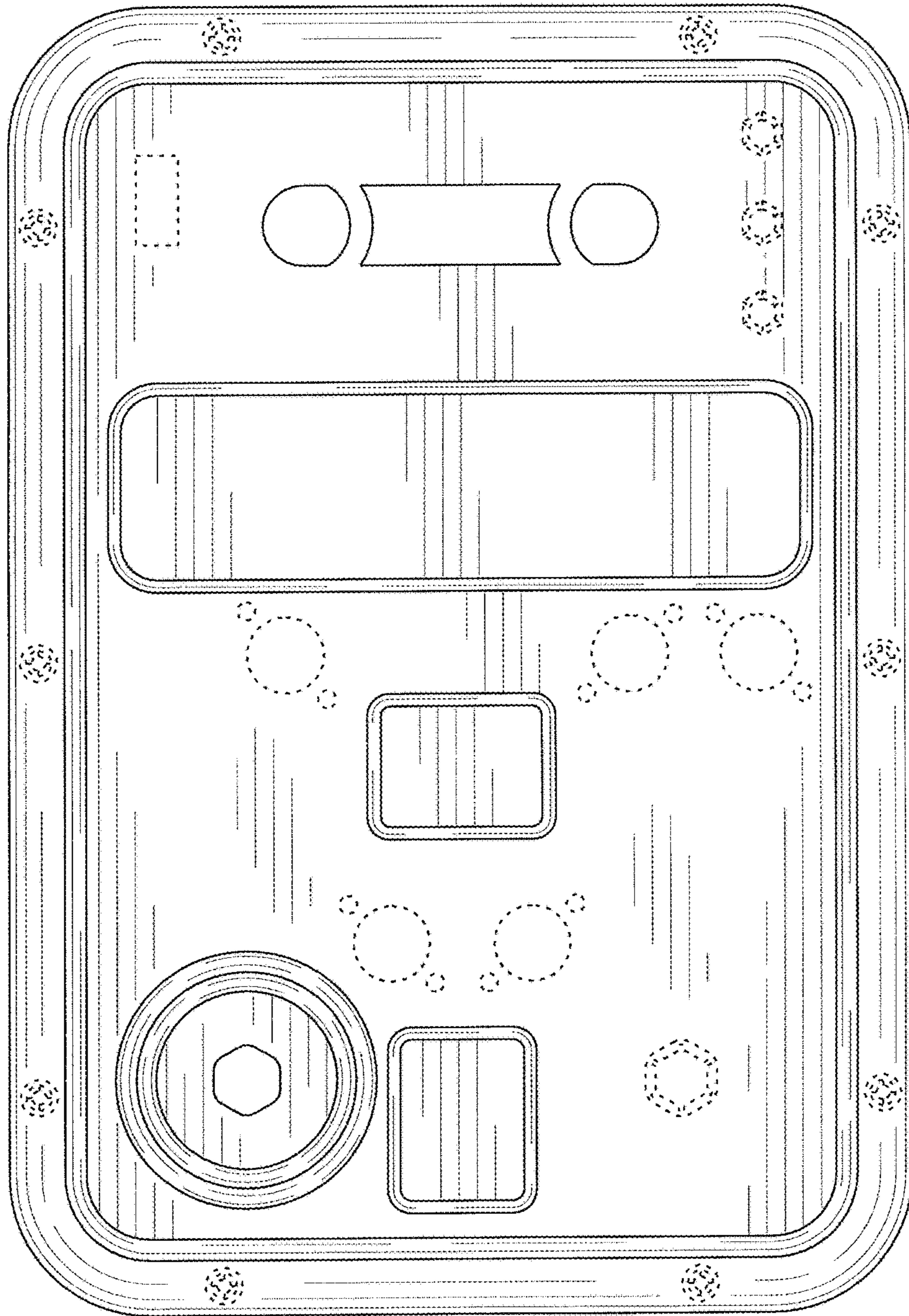


FIG. 3

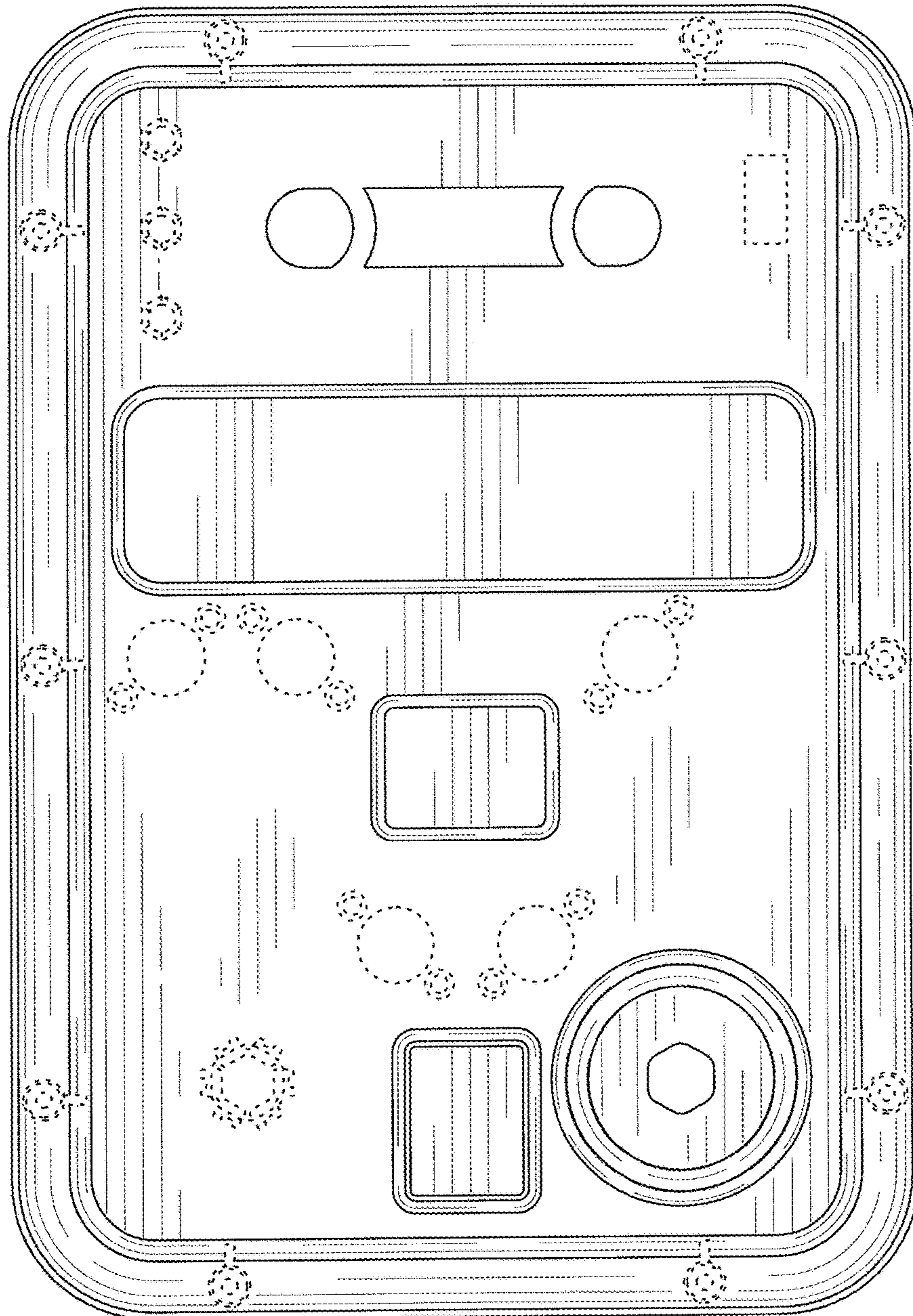
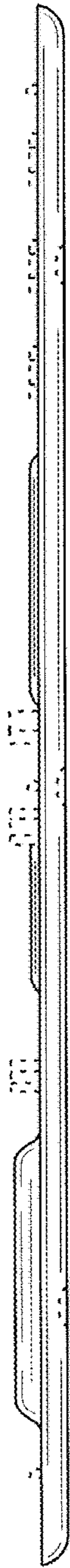
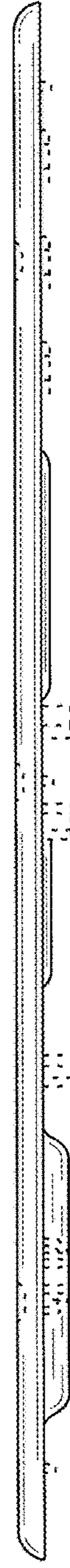


FIG. 4



**FIG. 5**



**FIG. 6**

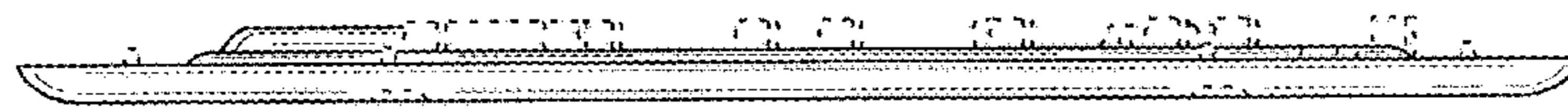


FIG. 7

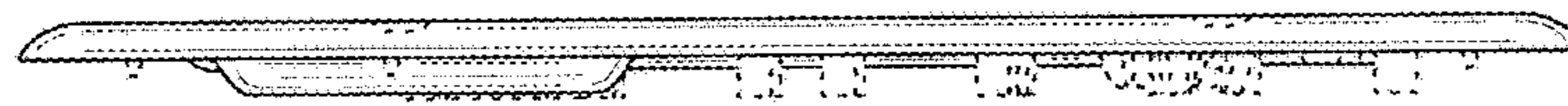


FIG. 8