



US00D795393S

(12) **United States Design Patent** (10) **Patent No.:** **US D795,393 S**
Fritz (45) **Date of Patent:** **** Aug. 22, 2017**

(54) **FAUCET**

(71) Applicant: **DELTA FAUCET COMPANY,**
Indianapolis, IN (US)

(72) Inventor: **Seth Fritz,** Carmel, IN (US)

(73) Assignee: **DELTA FAUCET COMPANY,**
Indianapolis, IN (US)

(**) Term: **15 Years**

(21) Appl. No.: **29/554,946**

(22) Filed: **Feb. 17, 2016**

(51) **LOC (10) Cl.** **23-01**

(52) **U.S. Cl.**

USPC **D23/238**

(58) **Field of Classification Search**

USPC D23/238-242, 249-250, 252, 254, 245;
D8/300, 307-308, 310

CPC . E03C 1/00; E03C 1/04; E03C 1/0401; E03C
1/0402; E03C 1/0404; E03C 1/02; E03C
1/021; E03C 1/0403; F16K 27/06; F16K
27/067; F16K 27/0657

See application file for complete search history.

(56) **References Cited**

U.S. PATENT DOCUMENTS

D466,593 S * 12/2002 Otero D23/255
7,669,834 B2 * 3/2010 Hampton, Sr. F16K 27/06
251/304

D615,629 S * 5/2010 Bouroullec D23/255
D757,217 S * 5/2016 Park D23/236
2014/0021394 A1* 1/2014 Street F16K 27/067
251/315.01

* cited by examiner

Primary Examiner — Robert Delehanty

(74) *Attorney, Agent, or Firm* — Edgar A. Zarins; Nirav
D. Parikh

(57) **CLAIM**

The ornamental design for a faucet, as shown and described.

DESCRIPTION

FIG. 1 is a perspective view of a faucet showing my new
design;

FIG. 2 is a front elevational view thereof;

FIG. 3 is a rear view thereof;

FIG. 4 is a left side view thereof;

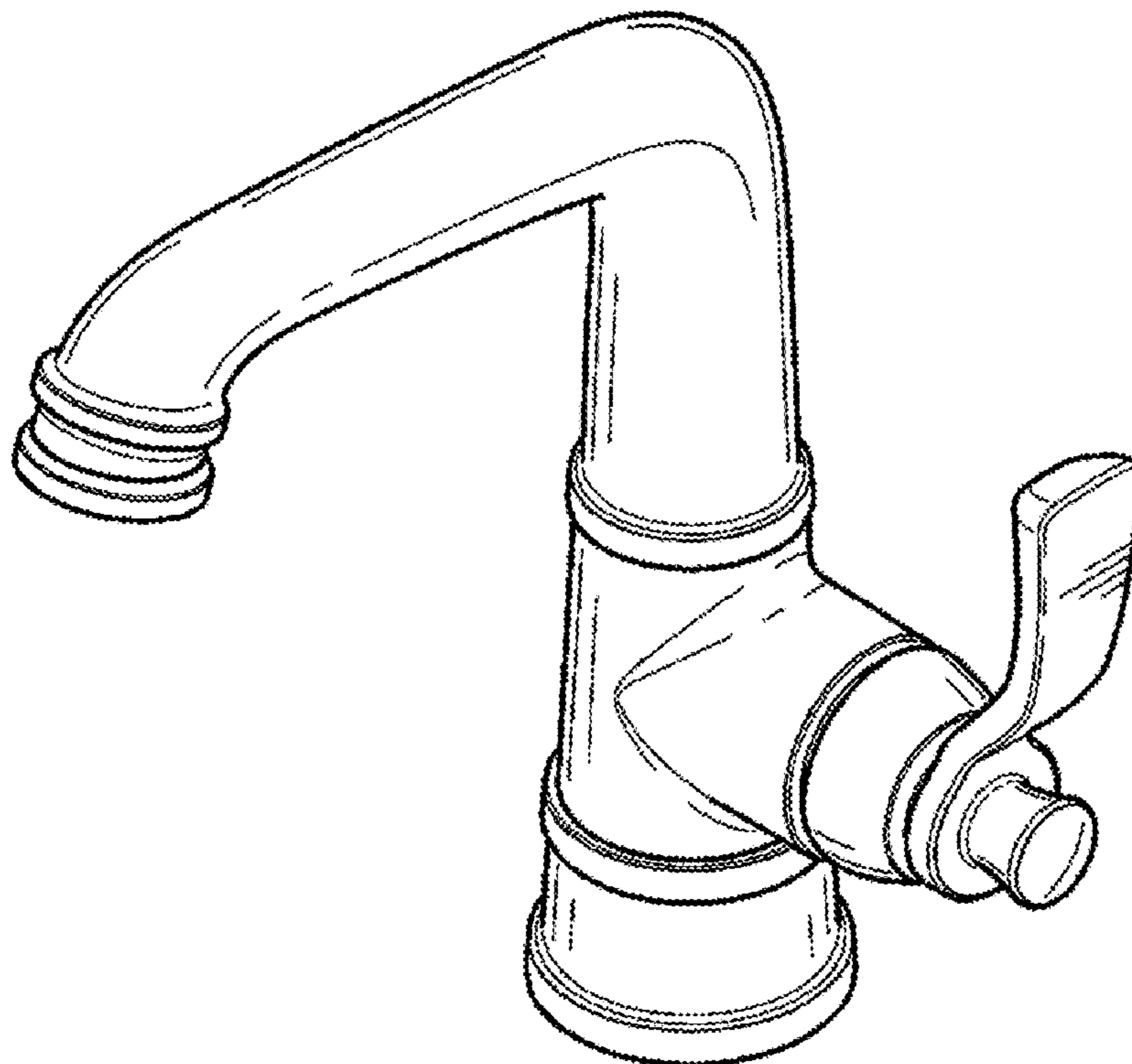
FIG. 5 is a right side view thereof;

FIG. 6 is a top plan view thereof; and,

FIG. 7 is a bottom view thereof.

The broken line showing a hole on the bottom of the faucet
in FIG. 7 is included for the purpose of illustrating a portion
of the faucet that forms no part of the claimed design.

1 Claim, 3 Drawing Sheets



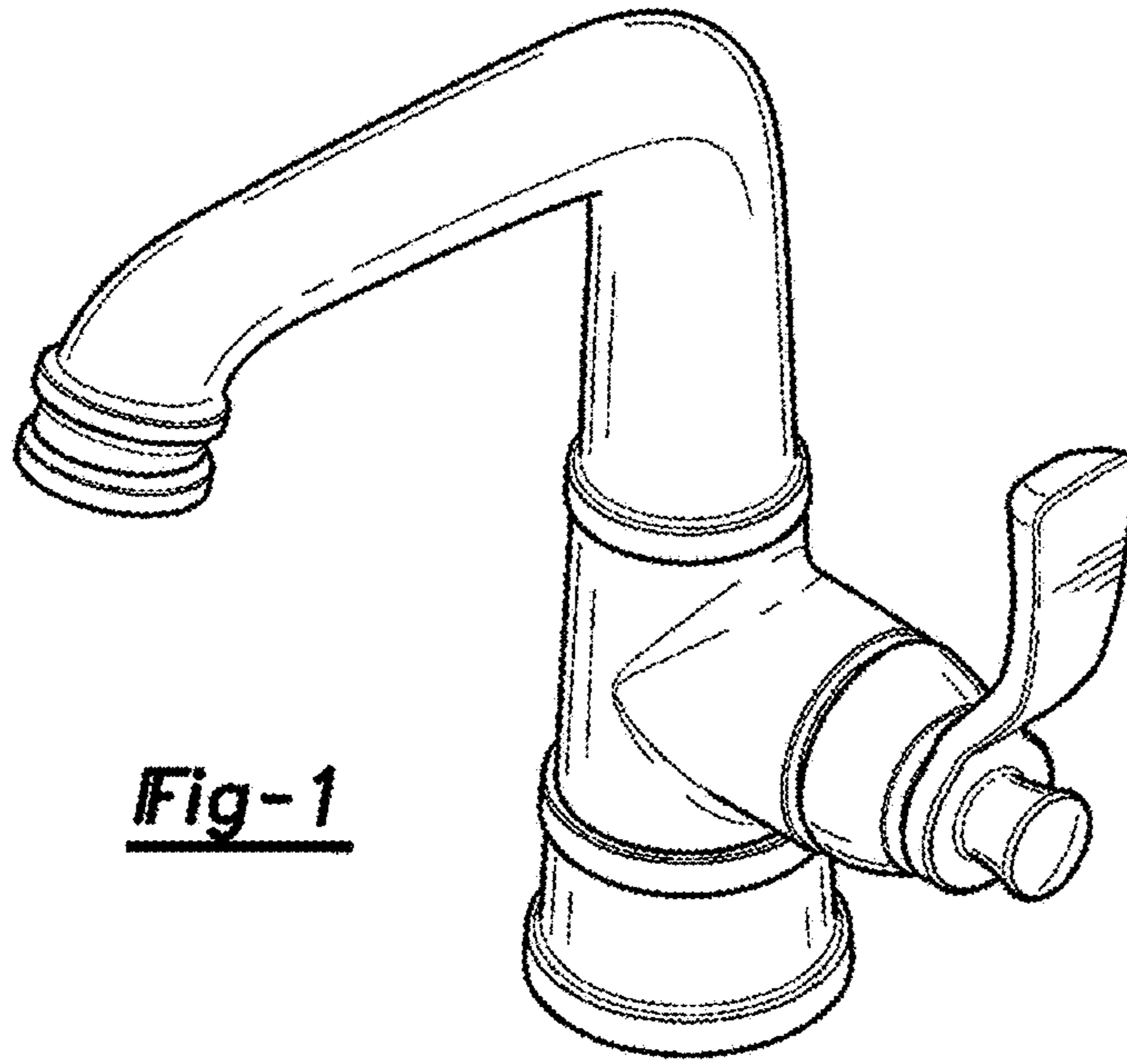


Fig-1

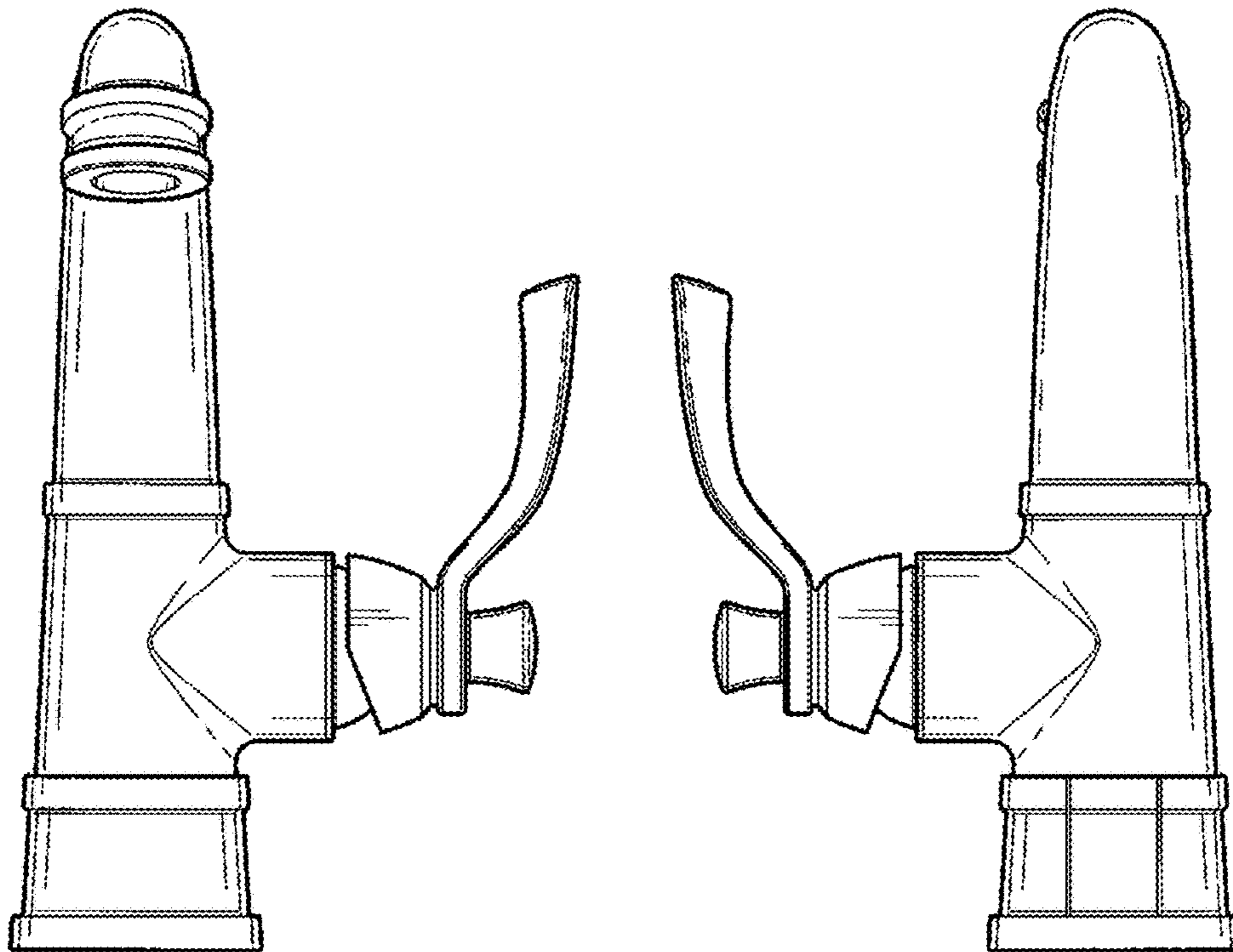


Fig-2

Fig-3

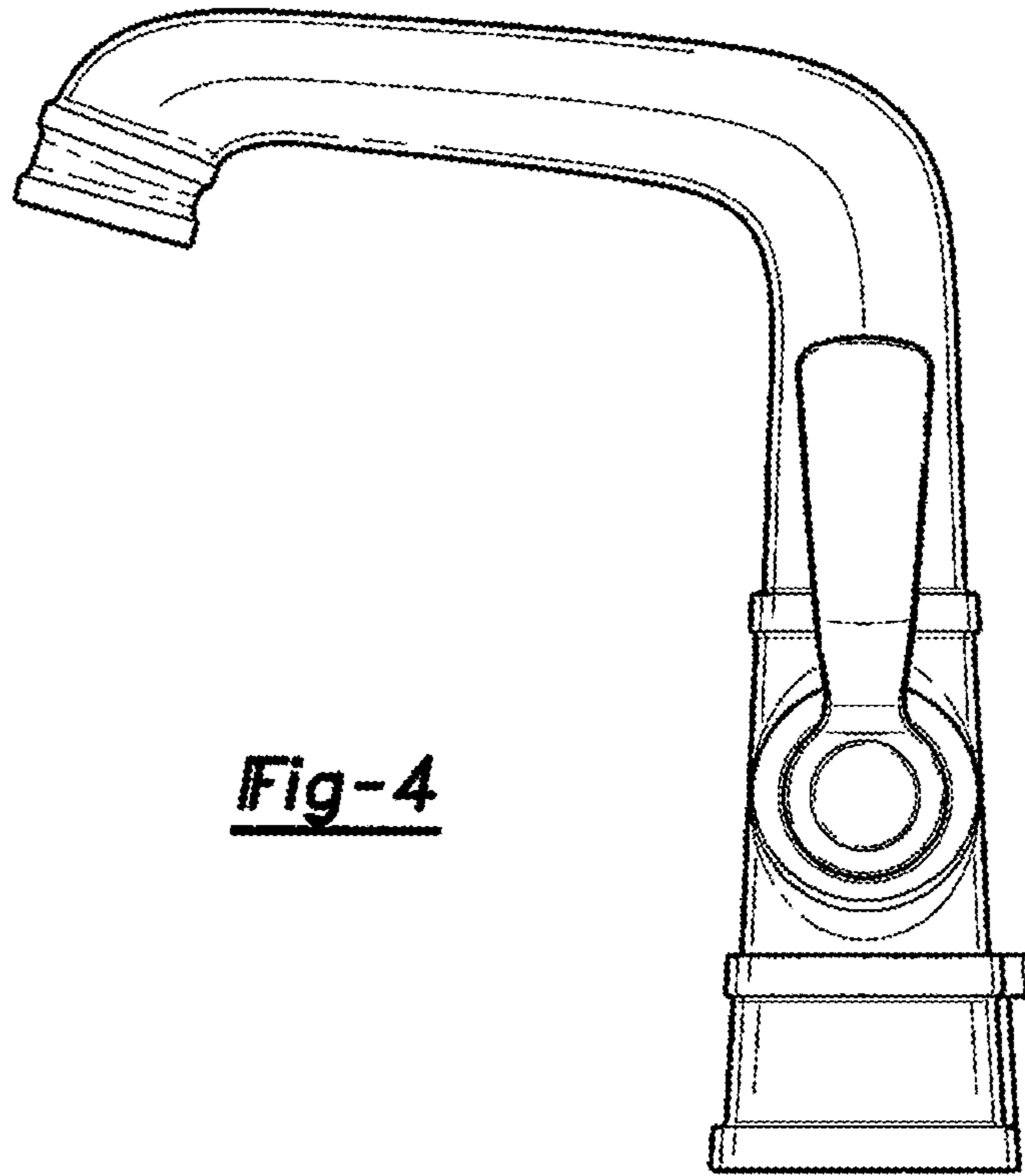


Fig-4

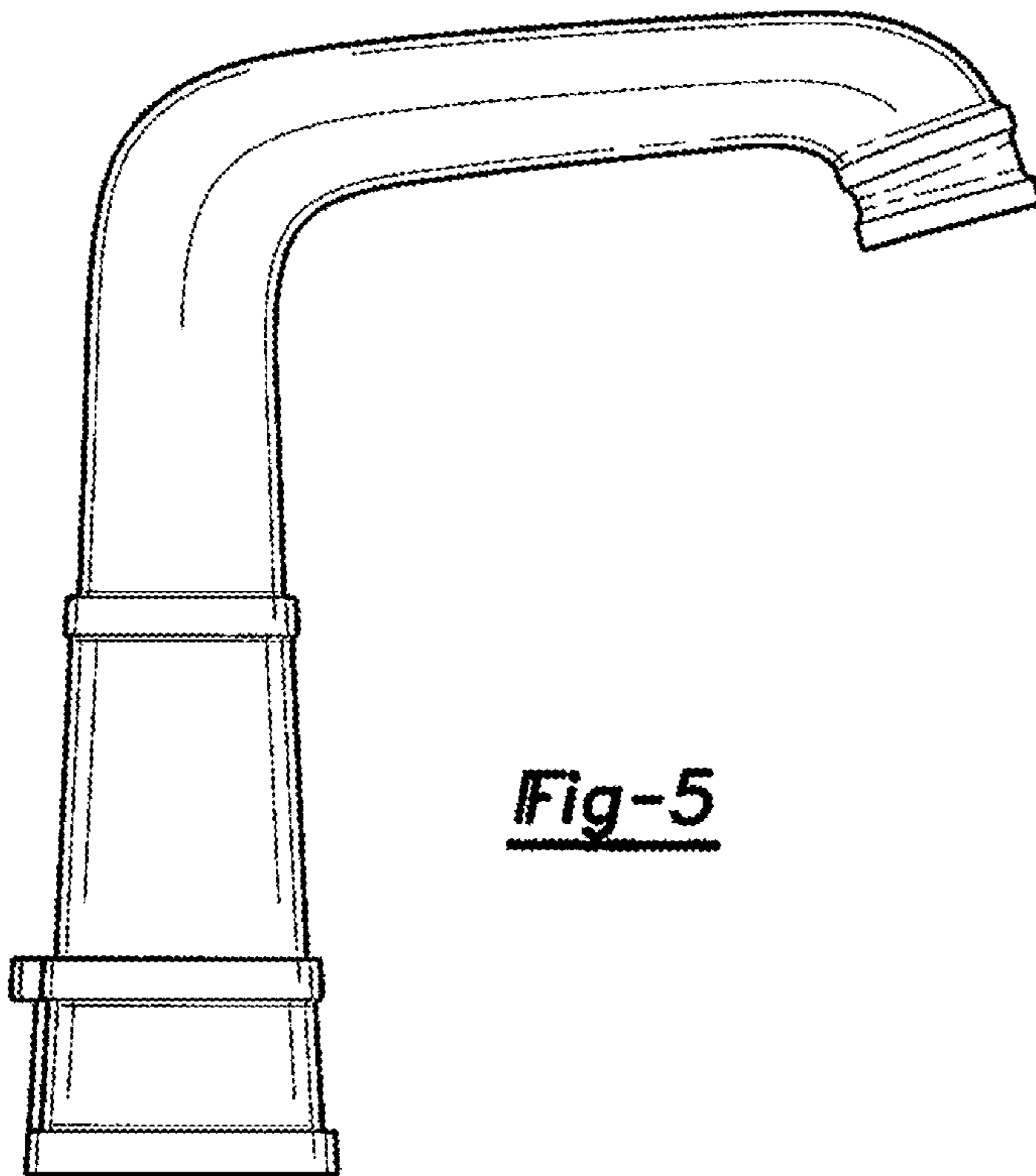


Fig-5

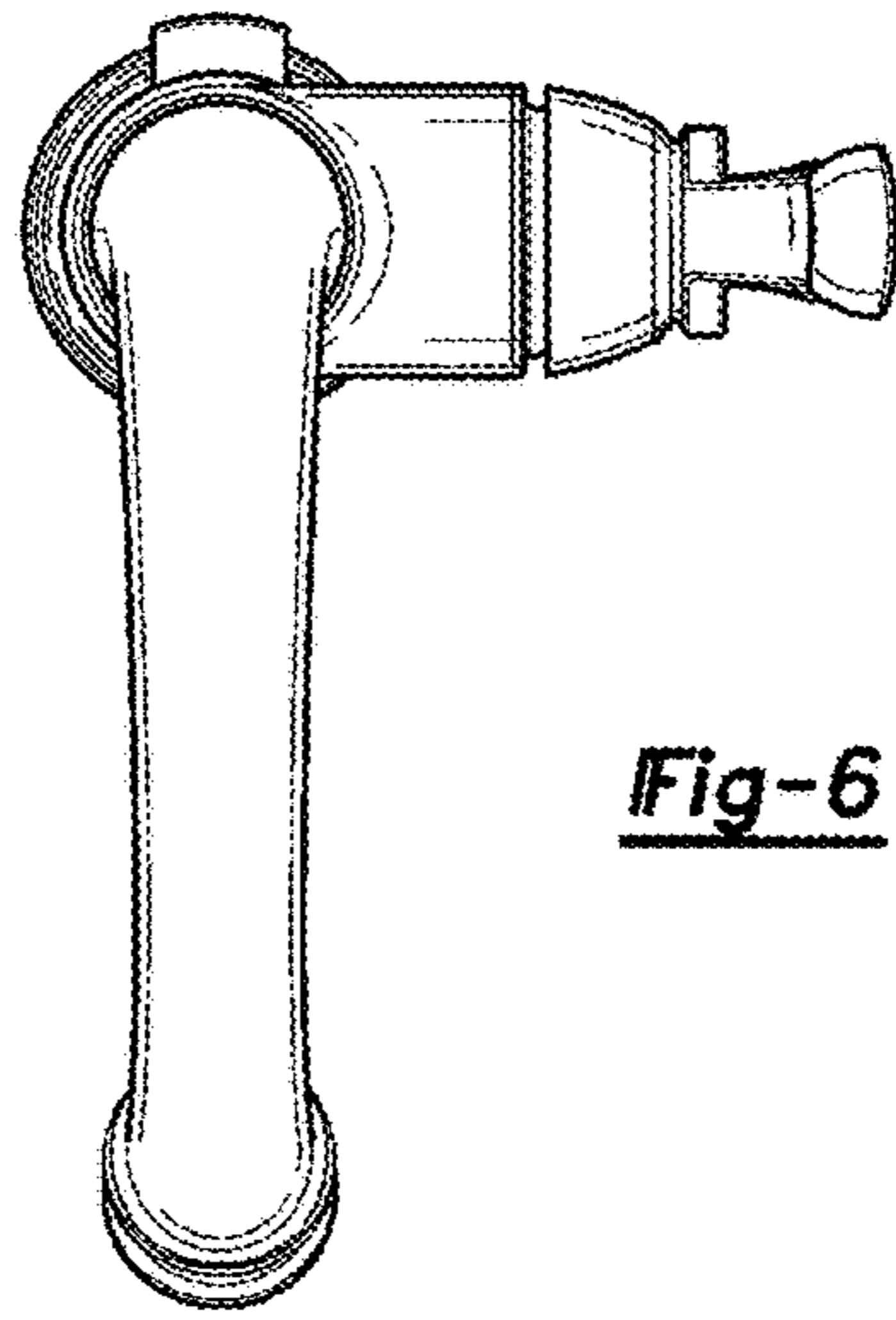


Fig-6

Fig-7

