



US00D795391S

(12) **United States Design Patent**
Yang et al.

(10) **Patent No.: US D795,391 S**

(45) **Date of Patent: ** Aug. 22, 2017**

(54) **SPRAY GUN**

(56) **References Cited**

(71) Applicant: **ZHEJIANG PRULDE ELECTRIC APPLIANCE CO., LTD**, Jinhua (CN)

U.S. PATENT DOCUMENTS

(72) Inventors: **Weiming Yang**, Jinhua (CN); **Ting Han**, Jinhua (CN)

6,446,881 B1 *	9/2002	You	B60S 3/044
			239/146
D502,532 S *	3/2005	Schroeder	D23/225
D683,814 S *	6/2013	Woodling	D23/225

(73) Assignee: **Zhejiang Prulde Electric Appliance Co., Ltd.**, Jinhua (CN)

* cited by examiner

(**) Term: **15 Years**

Primary Examiner — Robin V Webster

(21) Appl. No.: **29/573,916**

(74) *Attorney, Agent, or Firm* — Wang Law Firm, Inc.

(22) Filed: **Aug. 10, 2016**

(57) **CLAIM**

The ornamental design for a spray gun, as shown and described.

(30) **Foreign Application Priority Data**

DESCRIPTION

Apr. 18, 2016 (CN) 2016 3 0129317

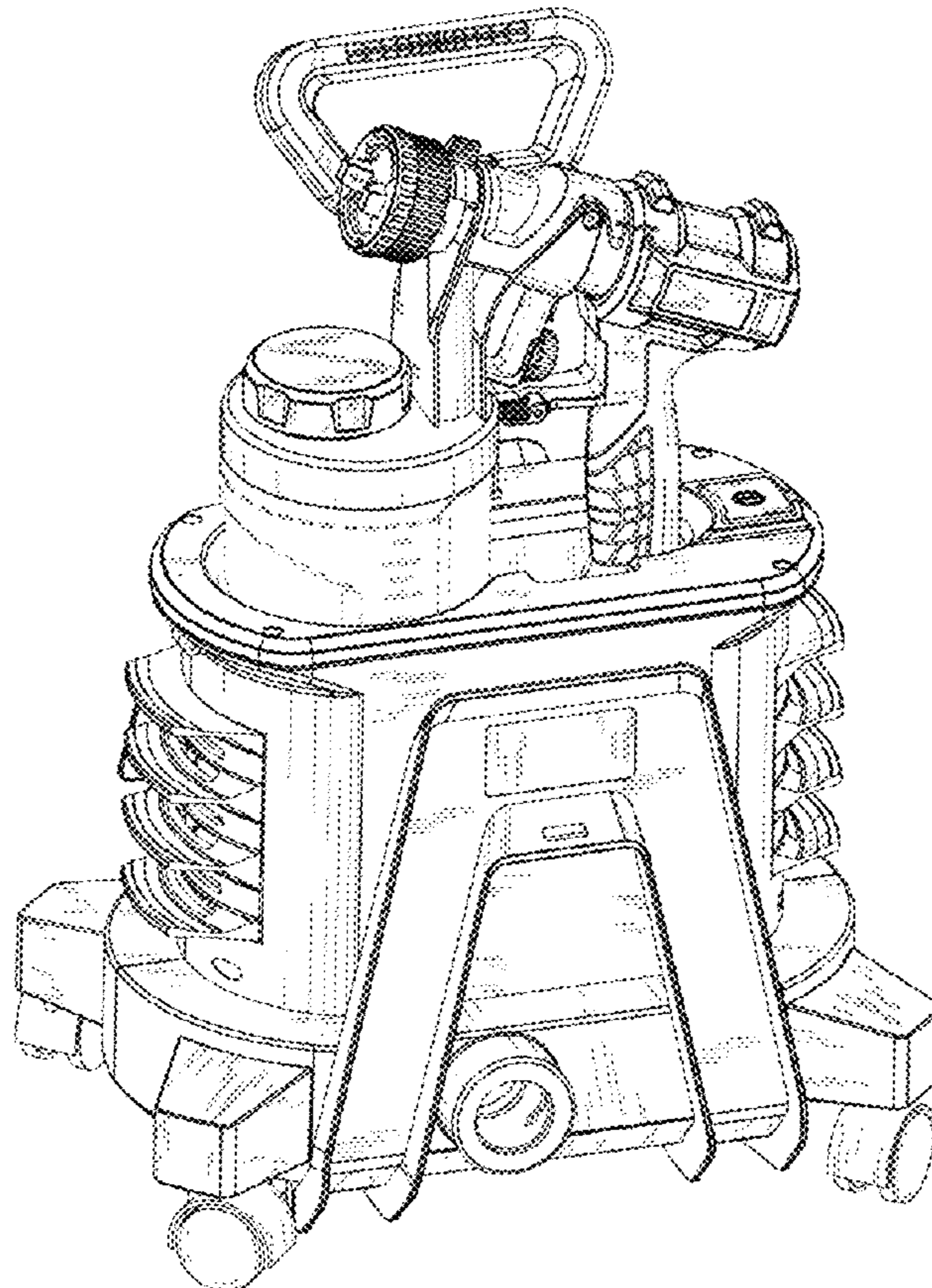
(51) **LOC (10) Cl.** **23-01**

(52) **U.S. Cl.**
USPC **D23/225**

(58) **Field of Classification Search**
USPC D23/213, 223, 225, 226; 239/304,
239/DIG. 14, 146, 147; 222/465.1
CPC B05B 7/26; B05B 7/2443; B05B 9/0861;
B05B 11/00; B05B 7/1413; B05B 9/01;
B05B 9/03; B05B 7/1209; B05B 12/002
See application file for complete search history.

FIG. 1 is a right view showing my new design;
FIG. 2 is a front view thereof;
FIG. 3 is a rear view thereof;
FIG. 4 is a left view thereof;
FIG. 5 is a top view thereof;
FIG. 6 is a bottom view thereof; and,
FIG. 7 is a perspective view thereof.
The broken lines shown on the drawings are for the purpose of illustration and form no part of the claimed design.

1 Claim, 6 Drawing Sheets



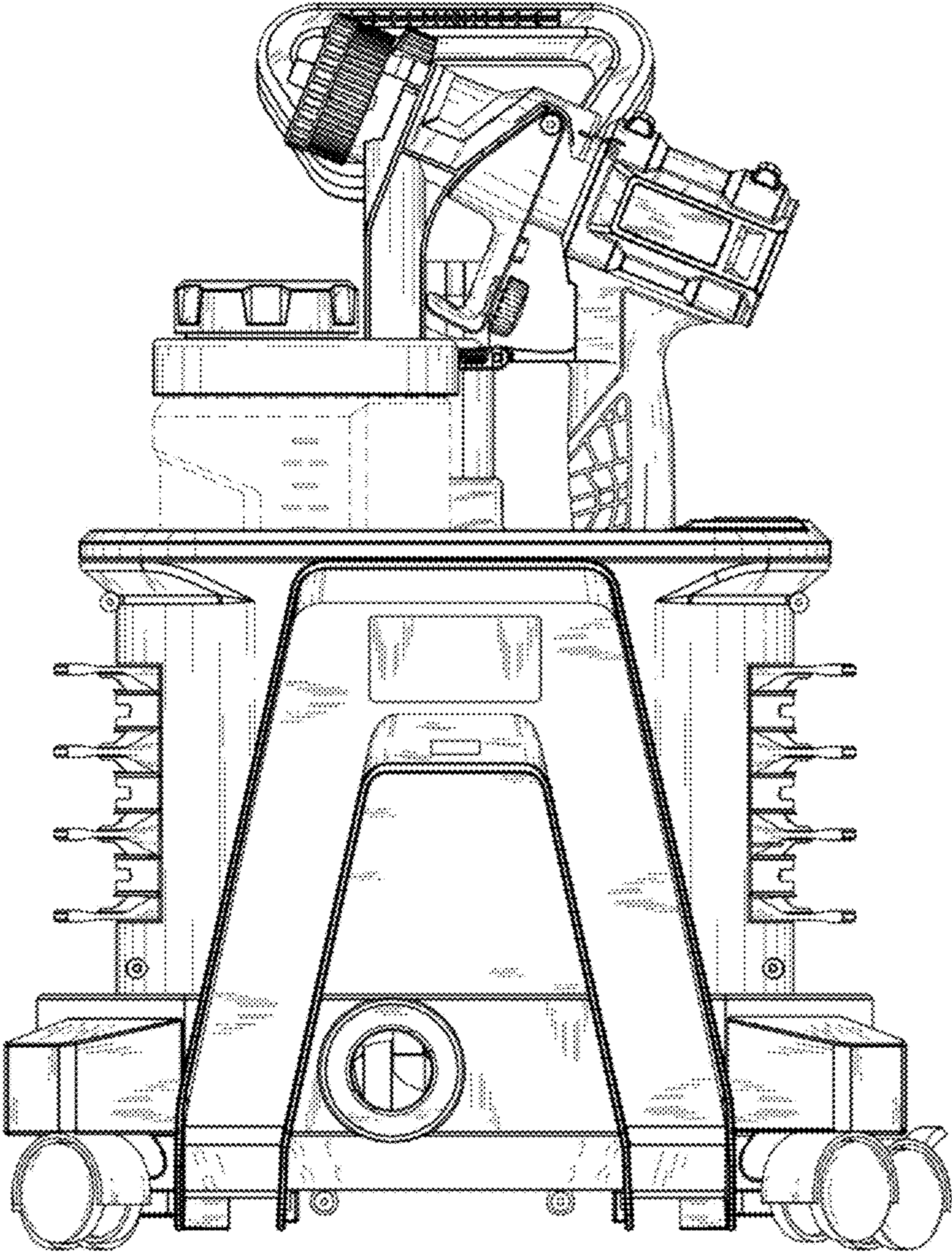


FIG. 1

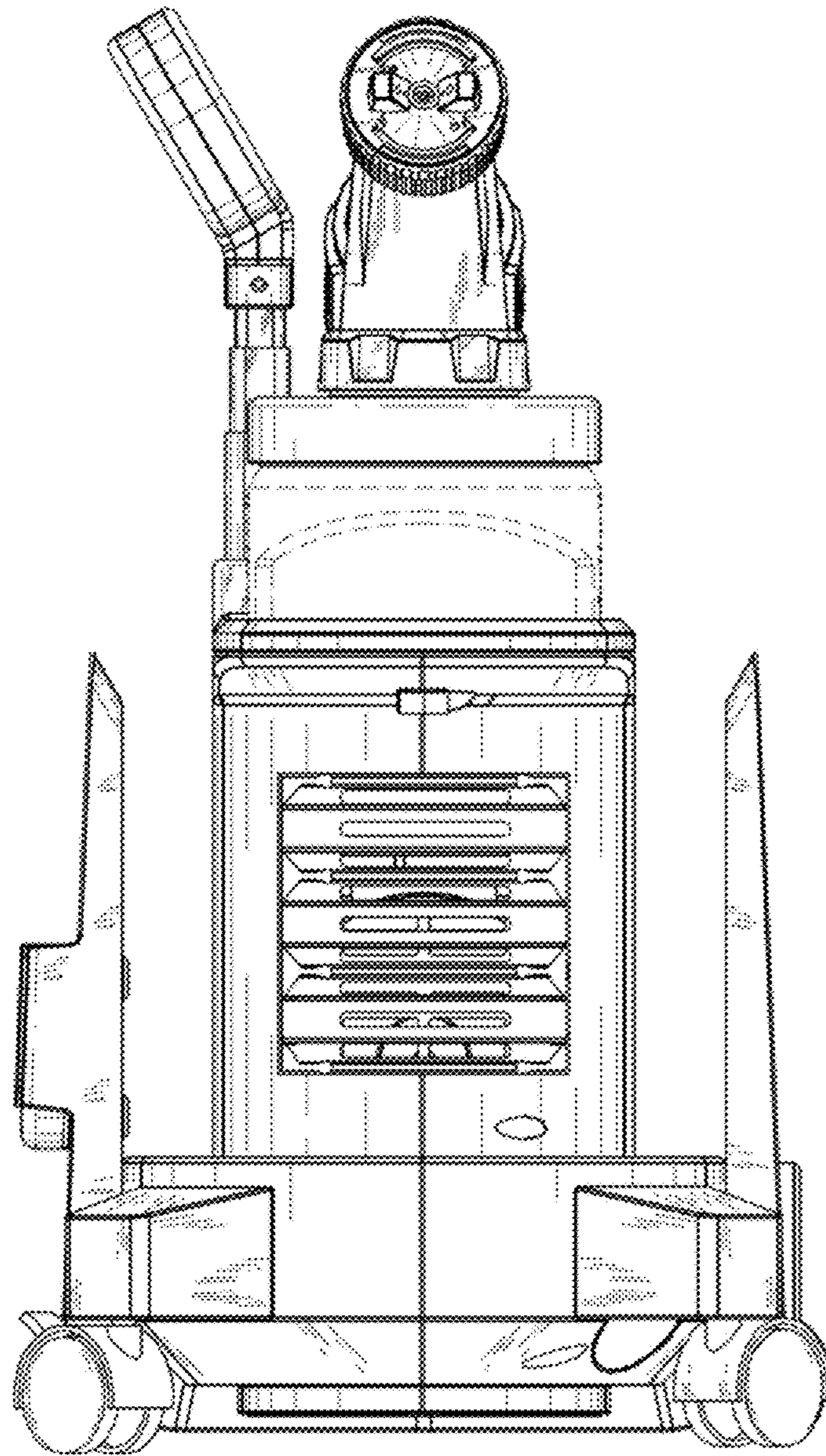


FIG. 2

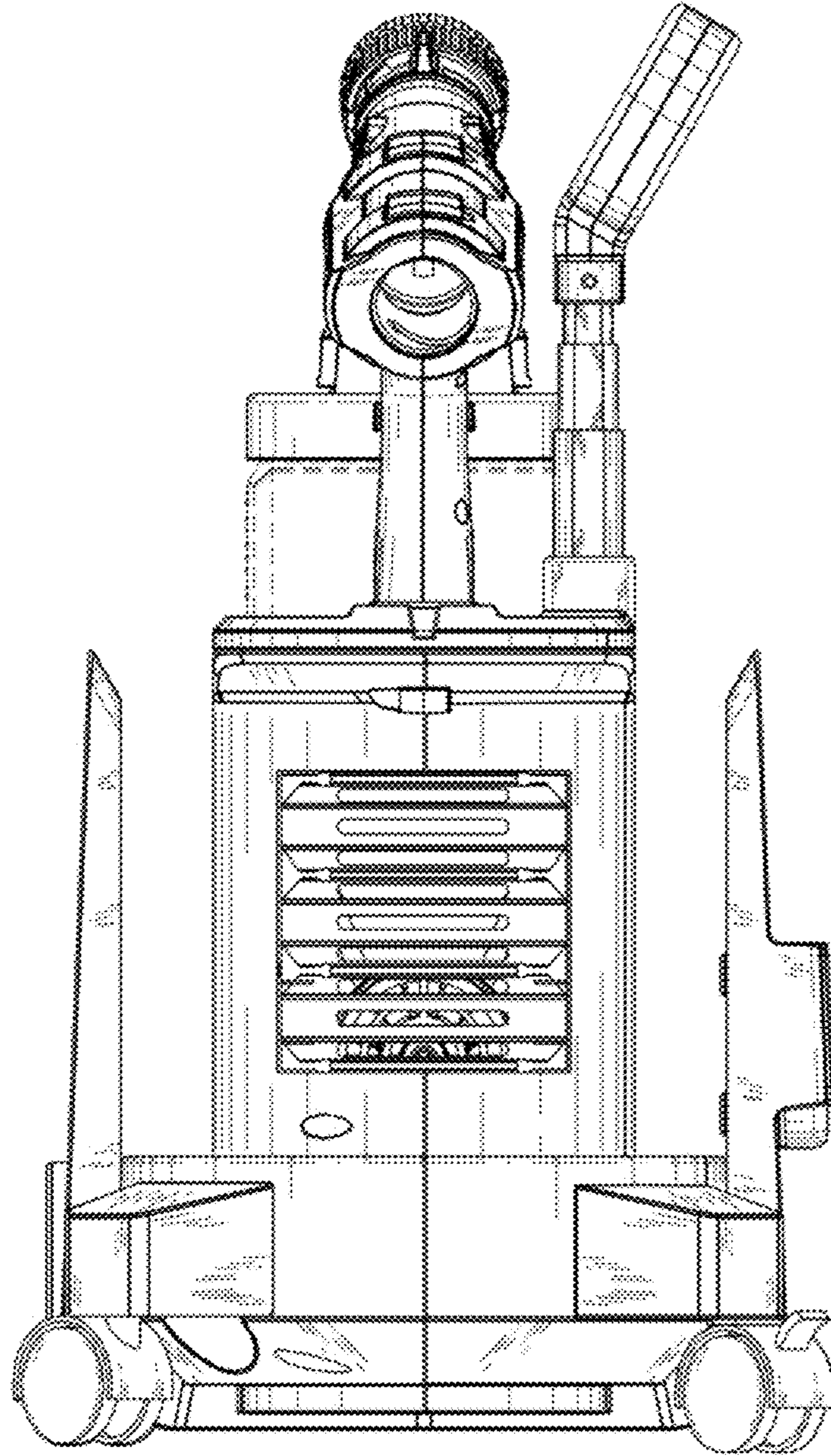


FIG. 3

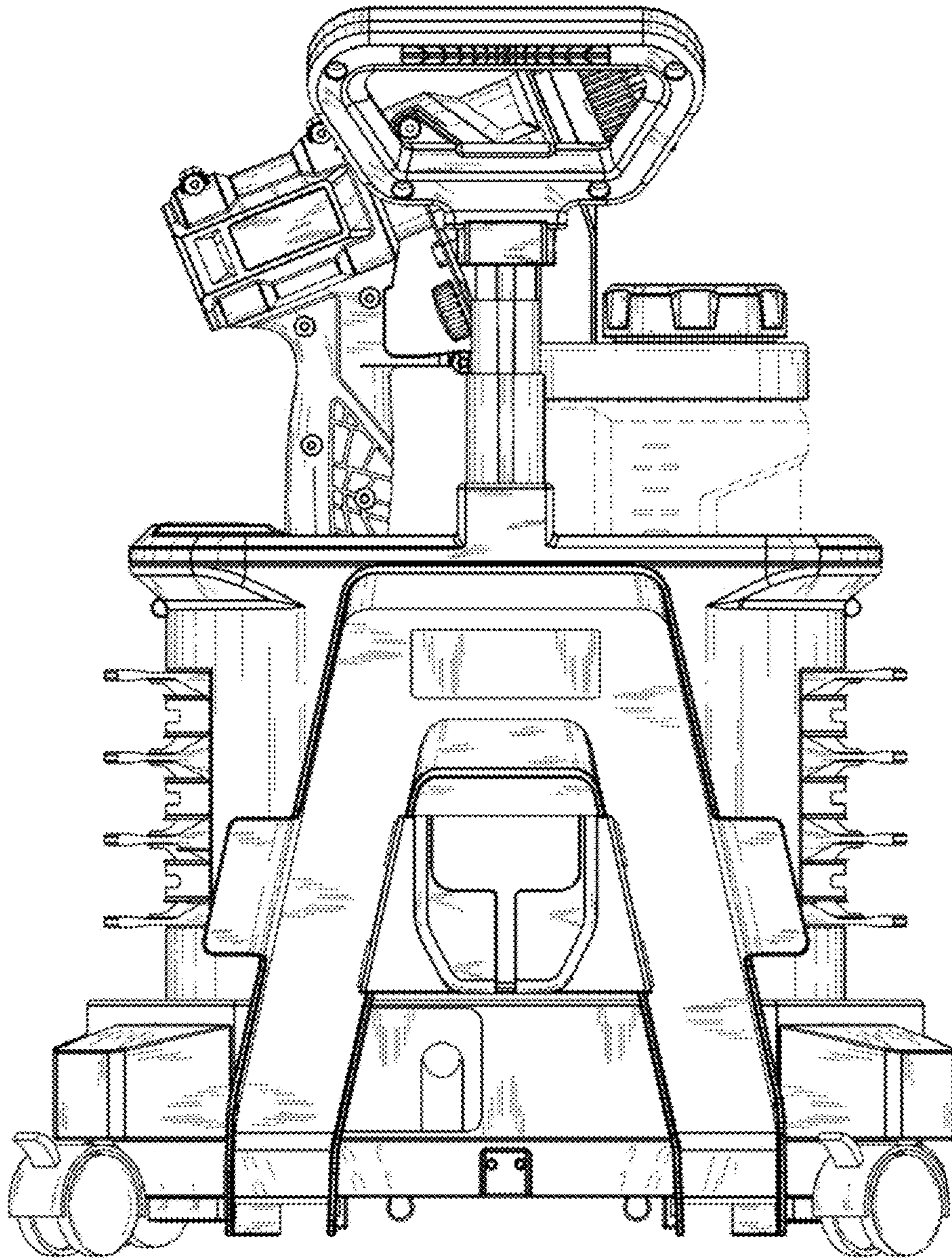


FIG. 4

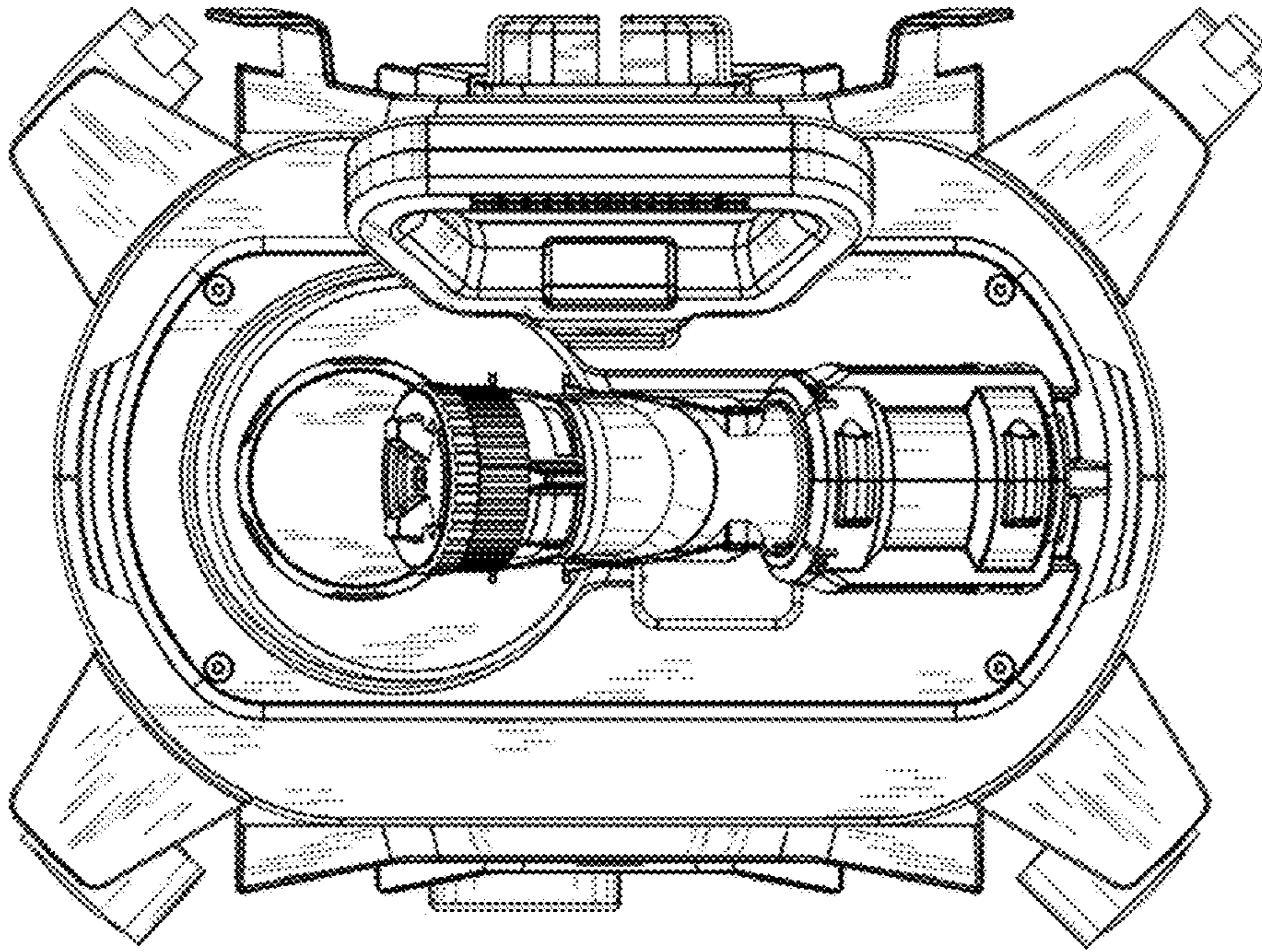


FIG. 5

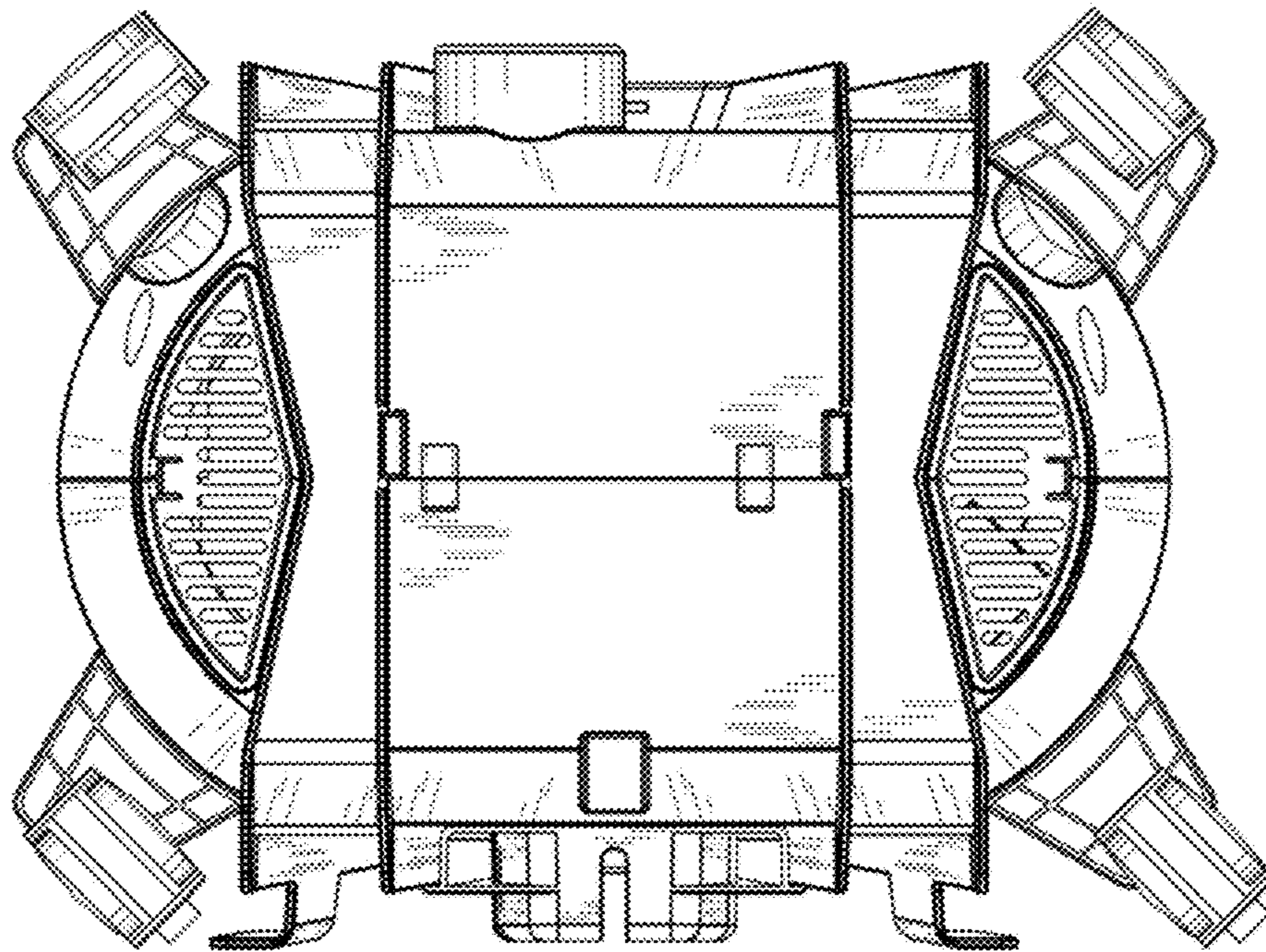


FIG. 6

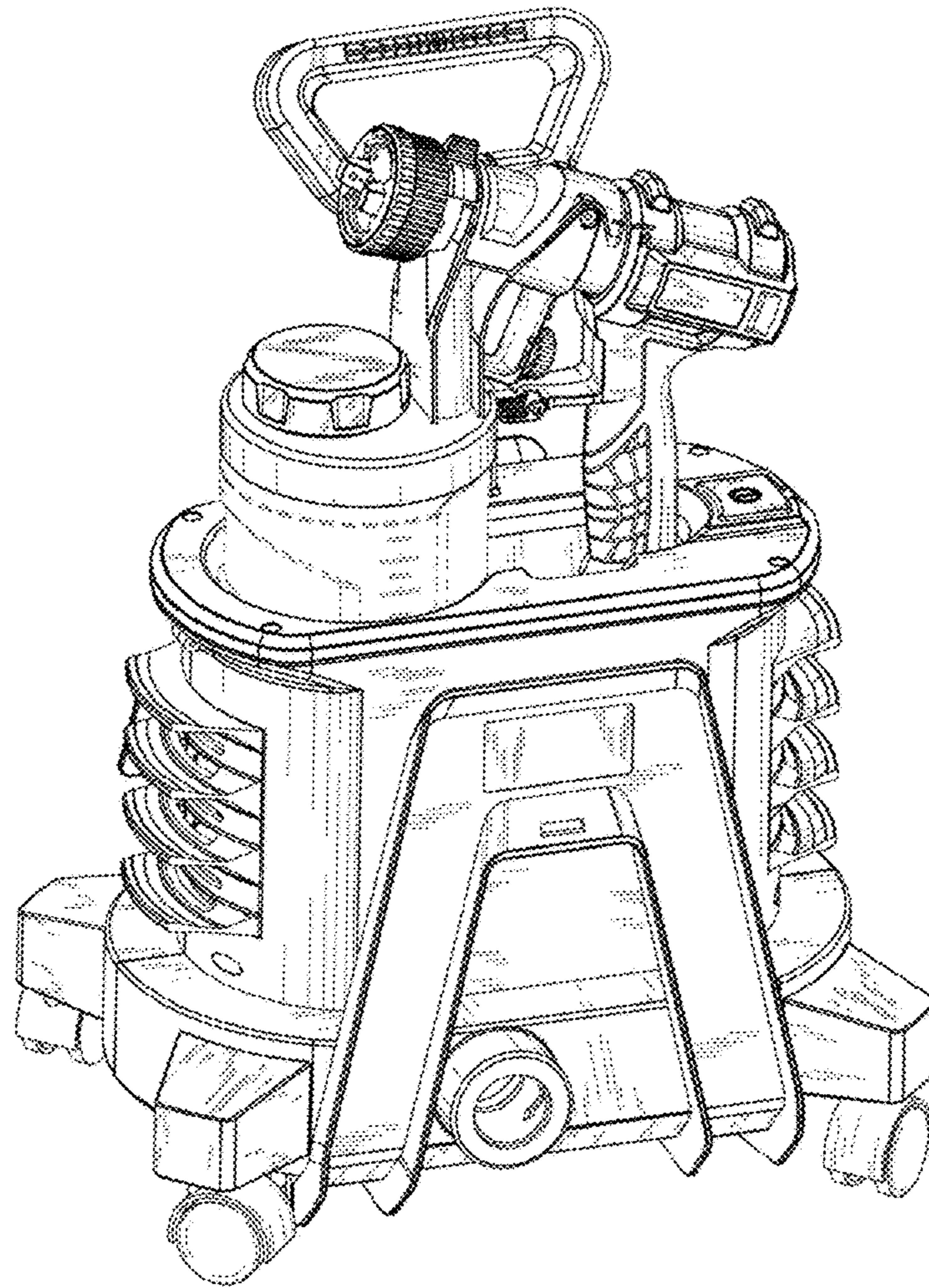


FIG. 7