



US00D795389S

(12) **United States Design Patent**
Gerhards et al.

(10) **Patent No.:** **US D795,389 S**

(45) **Date of Patent:** **** Aug. 22, 2017**

(54) **TOILET RIM BLOCKS**

(71) Applicant: **Henkel AG & Co. KGaA**, Duesseldorf (DE)

(72) Inventors: **Katja Gerhards**, Duesseldorf (DE);
Bodo Warden, Moenchengladbach (DE)

(73) Assignee: **Henkel AG & Co. KGaA** (DE)

(**) Term: **15 Years**

(21) Appl. No.: **29/581,538**

(22) Filed: **Oct. 19, 2016**

Related U.S. Application Data

(62) Division of application No. 35/500,124, filed on Jun. 11, 2015 (U.S. filing date under 35 U.S.C. 384), and having an international filing date of Jun. 11, 2015, now Pat. No. Des. 772,377.

(51) **LOC (10) Cl.** **23-01**

(52) **U.S. Cl.**
USPC **D23/208**

(58) **Field of Classification Search**
USPC D23/208, 355-369; 261/DIG. 17, 261/DIG. 42, DIG. 65, DIG. 88, DIG. 89; 239/34, 44, 53, 55, 56, 326; 392/386, 392/390, 392, 394, 395

CPC A61L 9/00; A61L 9/02; A61L 9/03; A61L 9/032; A61L 9/035; A61L 9/037; A61L 9/04; A61L 9/12; A61L 9/22

See application file for complete search history.

(56) **References Cited**

U.S. PATENT DOCUMENTS

D212,420 S * 10/1968 Wilson D23/368
D212,753 S * 11/1968 Tughan D23/369

D506,805 S *	6/2005	Nguyen	D23/208
D507,628 S *	7/2005	McLellan	D23/208
D508,106 S *	8/2005	Nguyen	D23/208
D512,480 S *	12/2005	Nguyen	D23/208
D520,103 S *	5/2006	Johnson	D23/208
D523,923 S *	6/2006	Nguyen	D23/208
D548,305 S *	8/2007	King	D23/208
D556,854 S *	12/2007	Cheung	D23/208
D613,368 S *	4/2010	Padain	D23/208
D655,778 S *	3/2012	Muhlhausen	D23/208
D656,575 S *	3/2012	Muhlhausen	D23/208
D656,576 S *	3/2012	Muhlhausen	D23/208
D659,793 S *	5/2012	Muhlhausen	D23/208
D679,778 S *	4/2013	Gerhards	D23/208
D689,167 S *	9/2013	Gerhards	D23/208
D720,427 S *	12/2014	Wang	D23/208
D720,428 S *	12/2014	Wang	D23/208
D720,830 S *	1/2015	Wang	D23/208
D748,222 S *	1/2016	Gerhards	D23/208
D751,683 S *	3/2016	Furner	D23/368
D772,376 S *	11/2016	Gerhards	D23/208
D772,377 S *	11/2016	Gerhards	D23/208
D772,378 S *	11/2016	Gerhards	D23/208

(Continued)

Primary Examiner — Keli L Hill

(74) *Attorney, Agent, or Firm* — P. Scott Smith

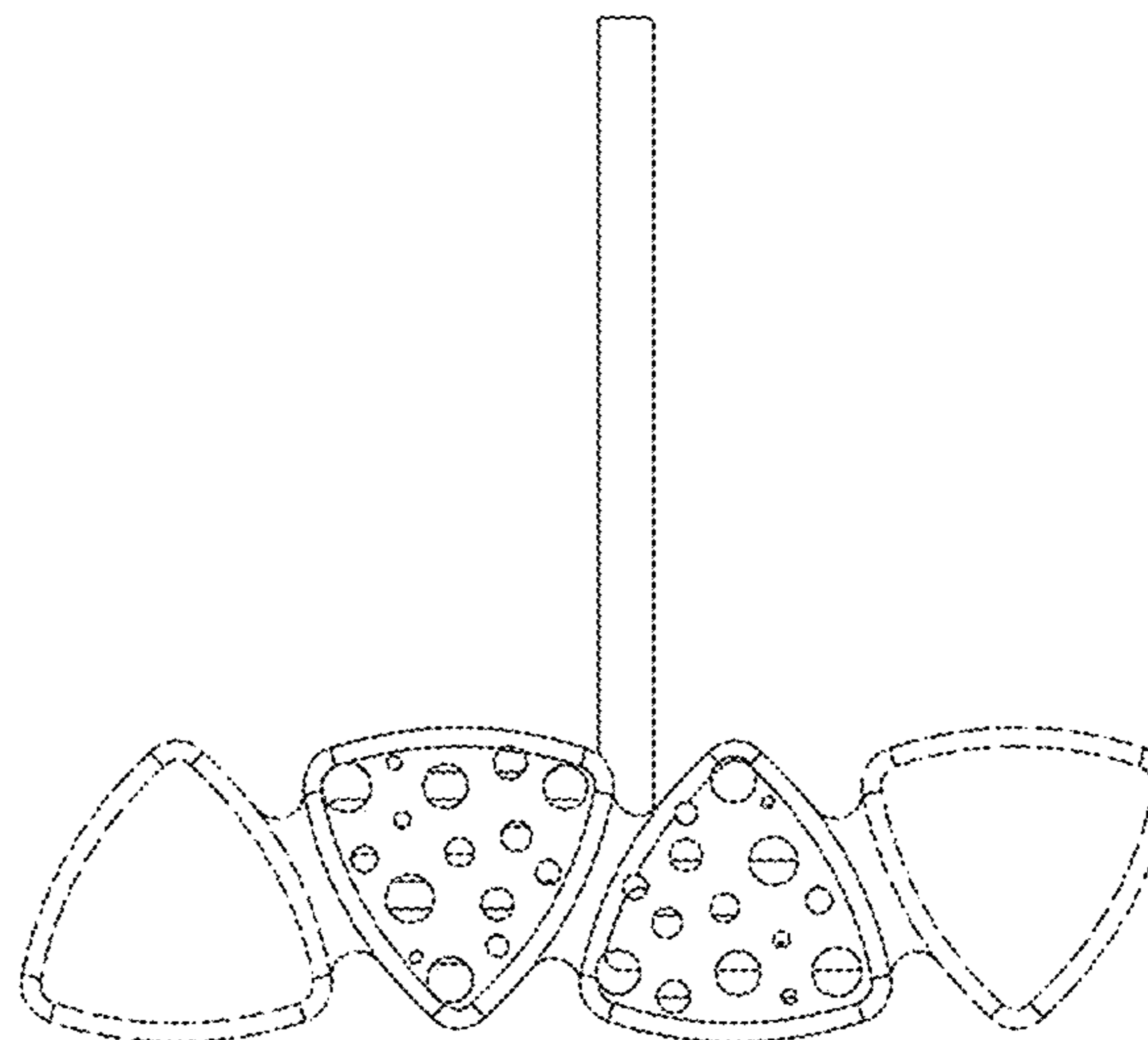
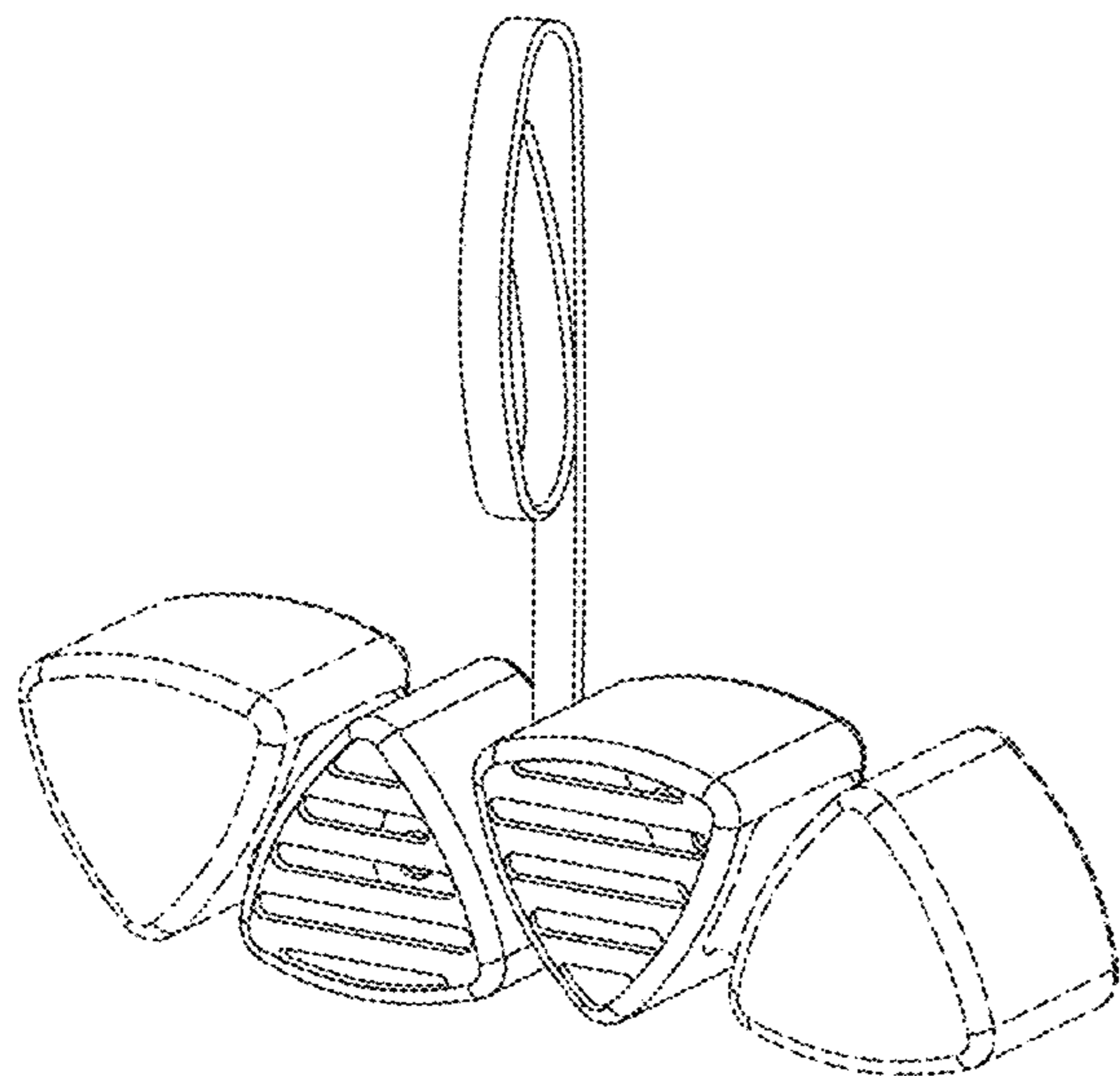
(57) **CLAIM**

The ornamental design for toilet rim blocks, as shown and described.

DESCRIPTION

FIG. 1 is a front perspective view of toilet rim blocks embodying our new design;
FIG. 2 is a front side elevation view thereof;
FIG. 3 is a rear side elevation view thereof;
FIG. 4 is a left side elevation view thereof;
FIG. 5 is a right side elevation view thereof;
FIG. 6 is a top plan view thereof; and,
FIG. 7 is a bottom plan view thereof.

1 Claim, 5 Drawing Sheets



(56)

References Cited

U.S. PATENT DOCUMENTS

2012/0047640 A1 * 3/2012 Warkotsch E03D 9/032
4/223

* cited by examiner

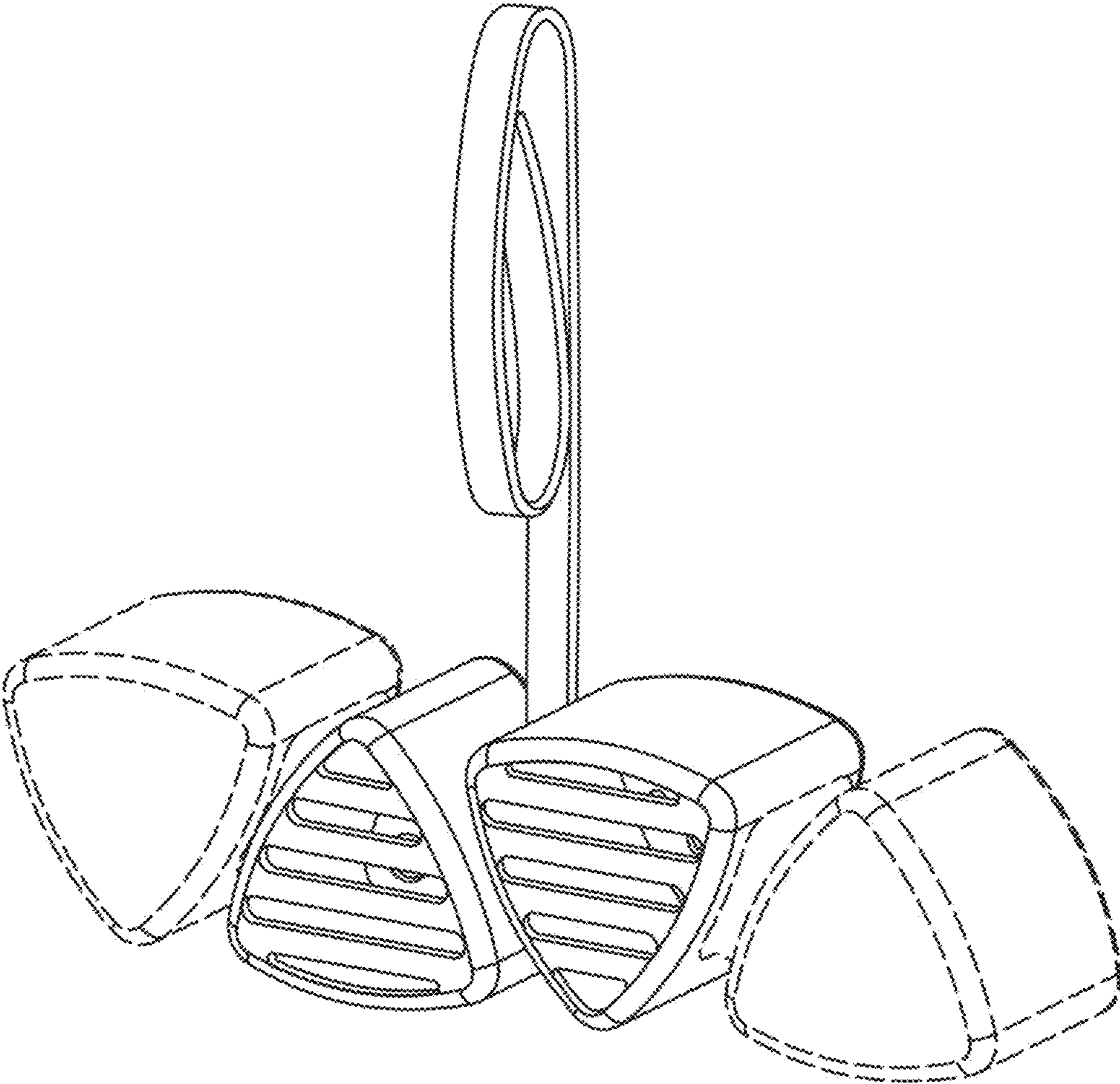


FIG. 1

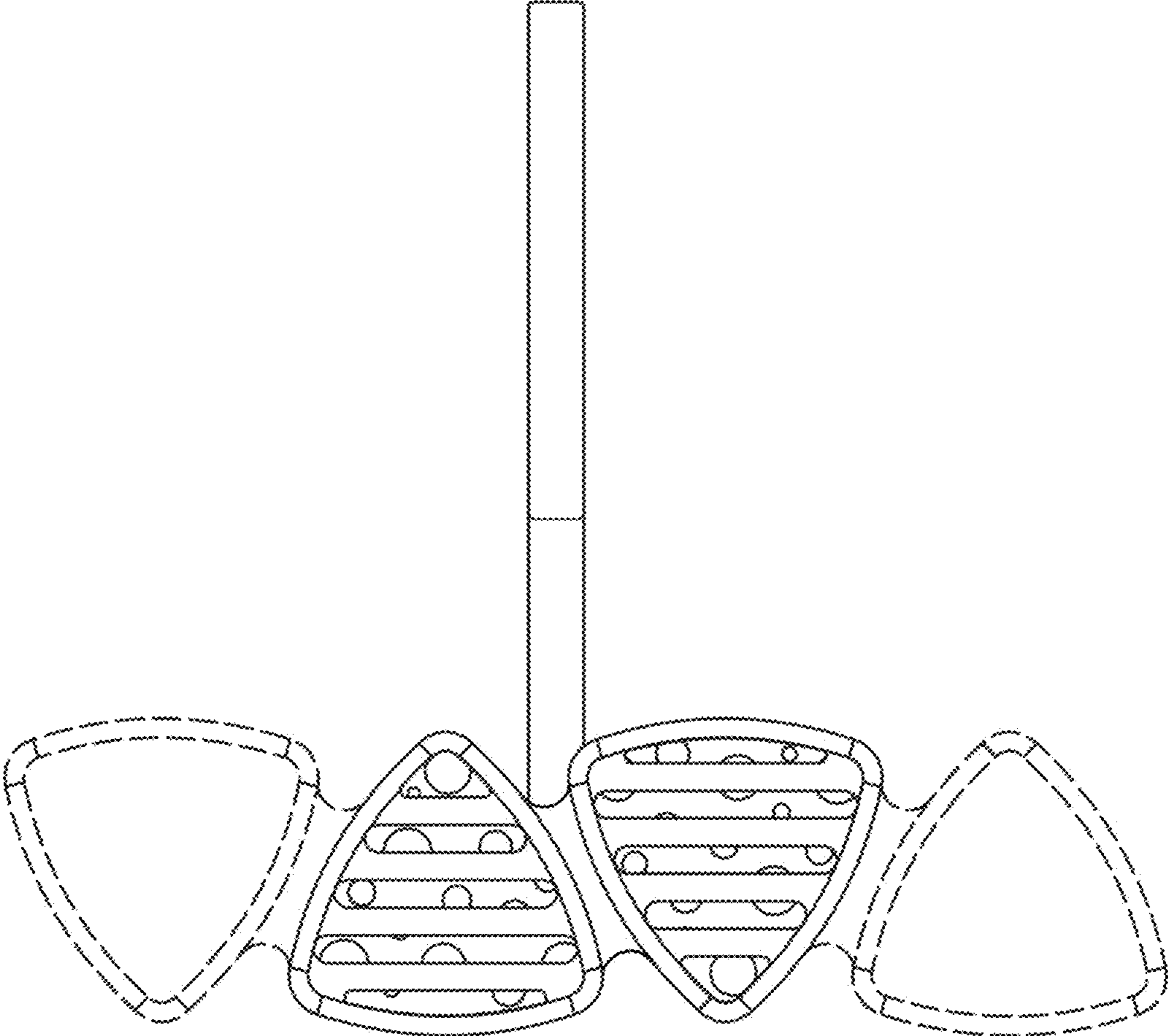


FIG. 2

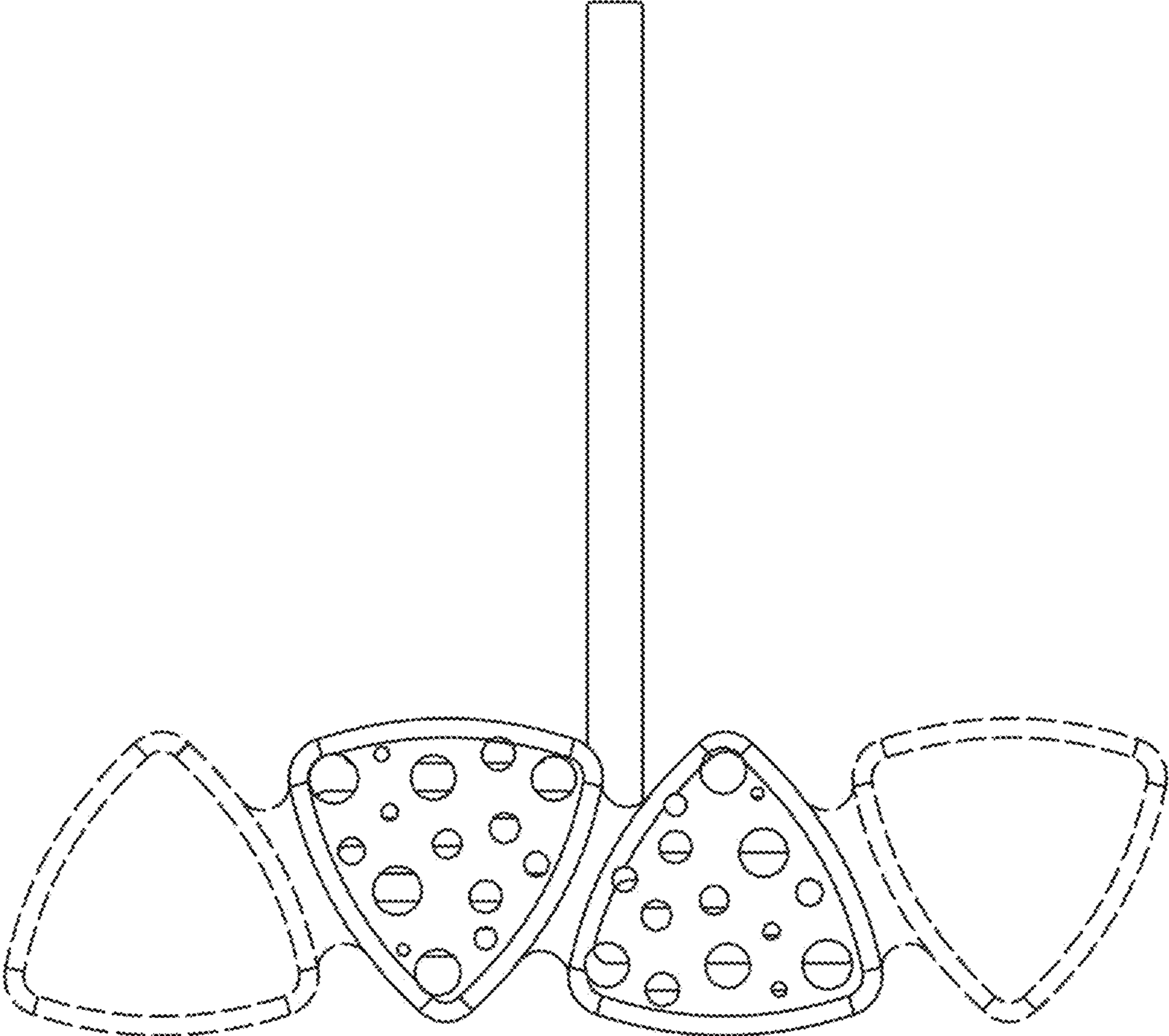


FIG. 3

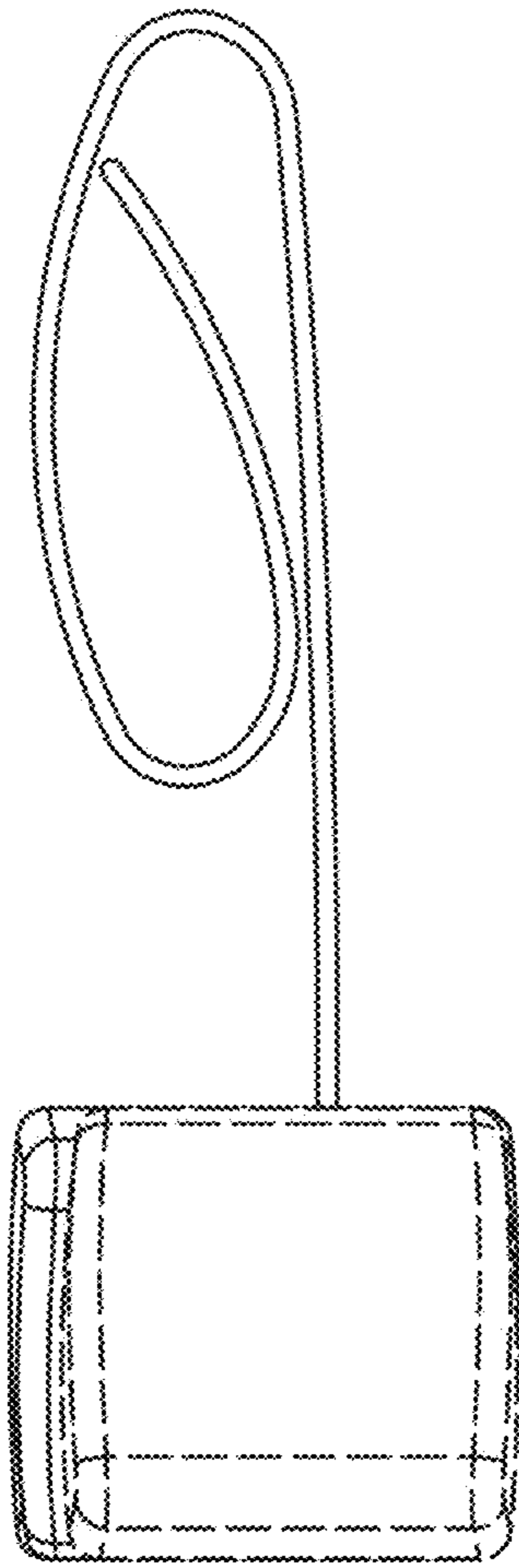


FIG. 4

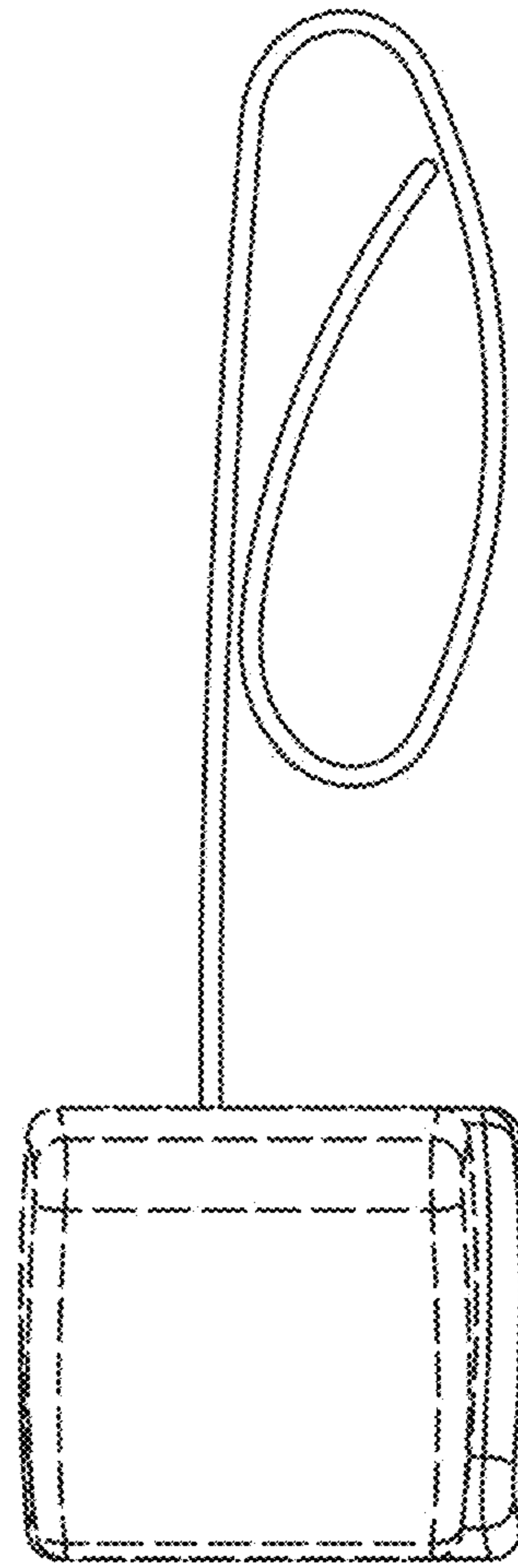


FIG. 5

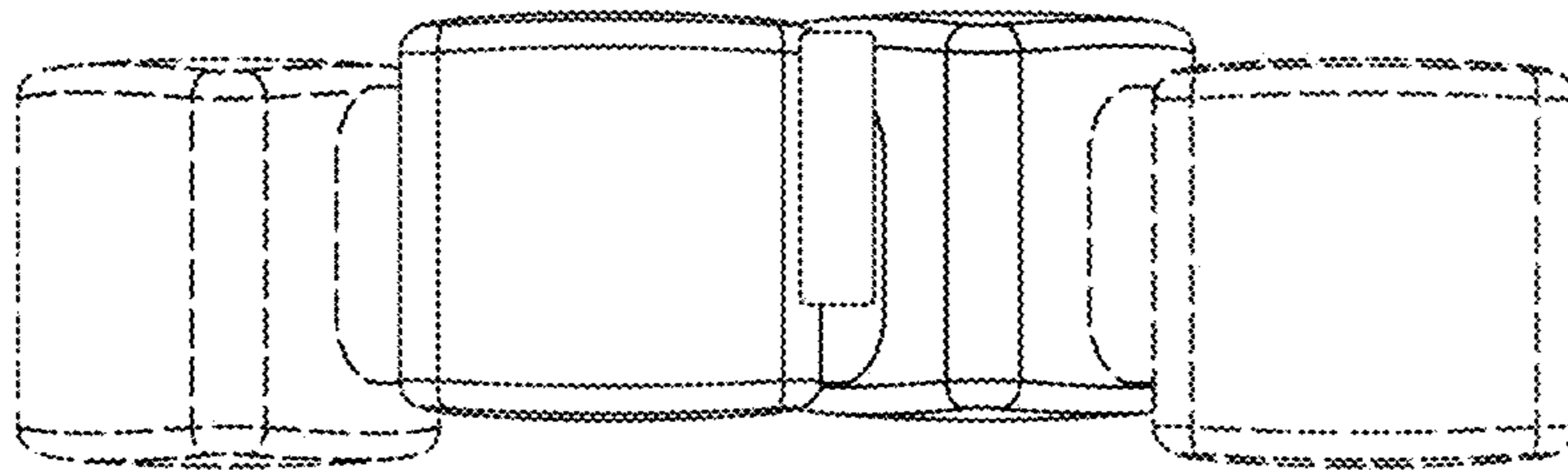


FIG. 6

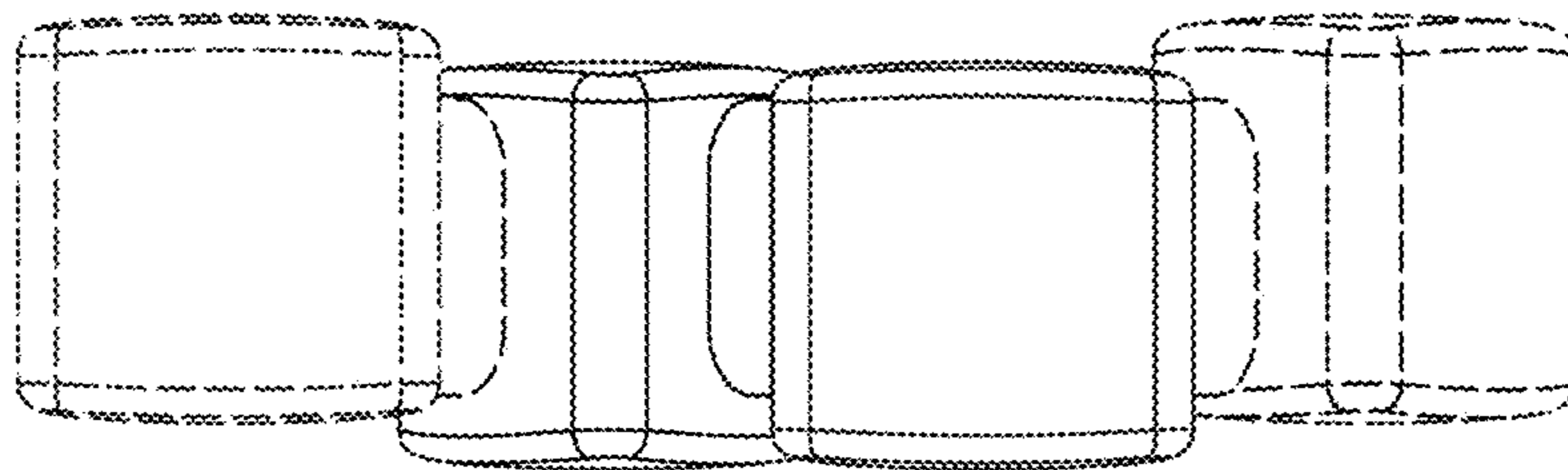


FIG. 7