



US00D795386S

(12) **United States Design Patent** (10) **Patent No.:** **US D795,386 S**
Warden et al. (45) **Date of Patent:** **** Aug. 22, 2017**

(54) **DISPENSER**
(71) Applicant: **Henkel AG & Co. KGaA**, Duesseldorf (DE)
(72) Inventors: **Bodo Warden**, Moenchengladbach (DE); **Katja Gerhards**, Duesseldorf (DE)
(73) Assignee: **Henkel AG & Co. KGaA**, Duesseldorf (DE)
(**) Term: **15 Years**

D476,056 S * 6/2003 Woolley D23/208
D508,549 S * 8/2005 Keramidas D23/208
7,114,199 B2 * 10/2006 Conway E03D 9/032
4/231
D540,907 S * 4/2007 Liu D23/208
D547,418 S * 7/2007 King D23/208
D558,855 S * 1/2008 Arora D23/208
D590,912 S * 4/2009 Woolman D23/208
D600,317 S * 9/2009 Enever D23/208
D613,369 S * 4/2010 Enever D23/208
D662,174 S * 6/2012 Reijnders D23/208
8,510,872 B2 * 8/2013 Muhlhausen E03D 9/005
239/310
D689,167 S * 9/2013 Gerhards D23/208

(21) Appl. No.: **29/556,949**
(22) Filed: **Mar. 4, 2016**

Related U.S. Application Data

(62) Division of application No. 29/490,385, filed on May 9, 2014, now Pat. No. Des. 754,814.

(30) **Foreign Application Priority Data**

Nov. 12, 2013 (EM) 002343608

(51) **LOC (10) Cl.** **23-01**
(52) **U.S. Cl.**

USPC **D23/208**

(58) **Field of Classification Search**
USPC D23/208; 4/223, 225.1, 227.1, 231, 232
CPC E03D 9/02; E03D 9/032
See application file for complete search history.

(56) **References Cited**

U.S. PATENT DOCUMENTS

D308,409 S * 6/1990 Hoyt D23/208
6,178,564 B1 * 1/2001 Leonard E03D 9/032
4/223

* cited by examiner

Primary Examiner — Robin V Webster

(74) *Attorney, Agent, or Firm* — P. Scott Smith

(57) **CLAIM**

The ornamental design for dispenser, as shown and described.

DESCRIPTION

FIG. 1 is a front perspective view of a dispenser embodying our new design;

FIG. 2 is a front side elevation view thereof;

FIG. 3 is a rear side elevation view thereof;

FIG. 4 is a left side elevation view thereof;

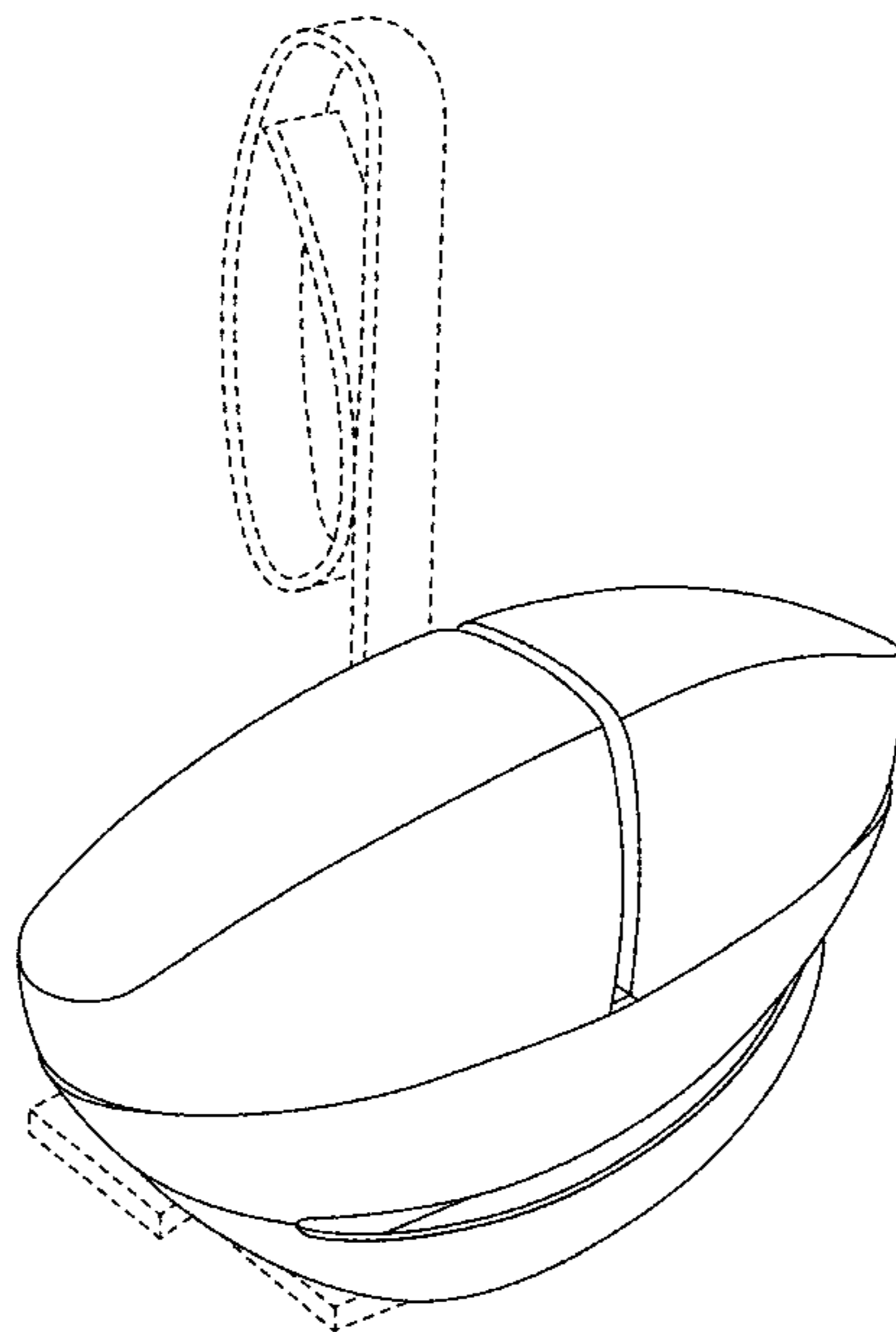
FIG. 5 is a right side elevation view thereof;

FIG. 6 is a top plan view thereof; and,

FIG. 7 is a bottom plan view thereof.

The broken line showing of portions of the dispenser is included for the purpose of illustrating and forms no part of the claimed design.

1 Claim, 6 Drawing Sheets



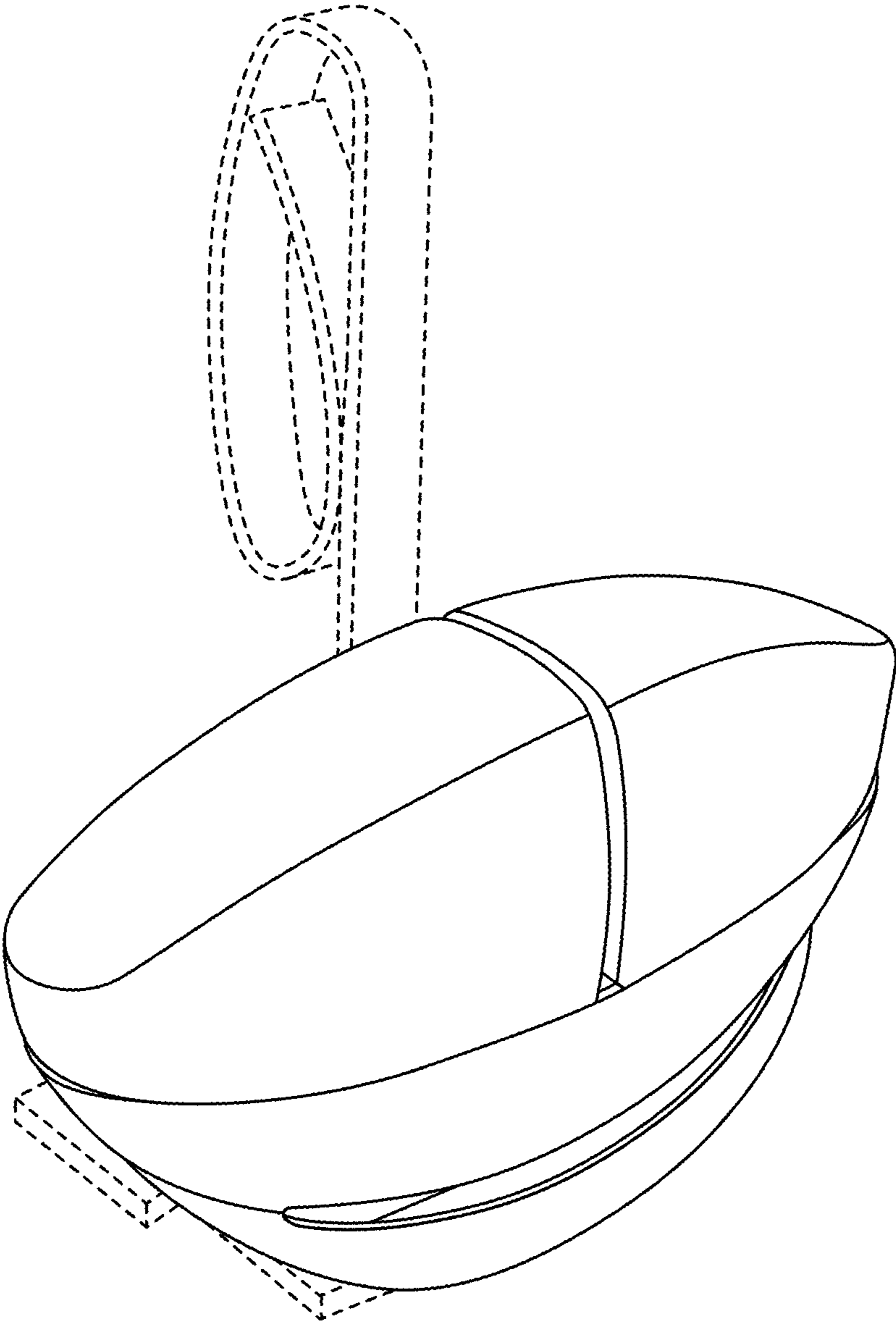


FIG.1

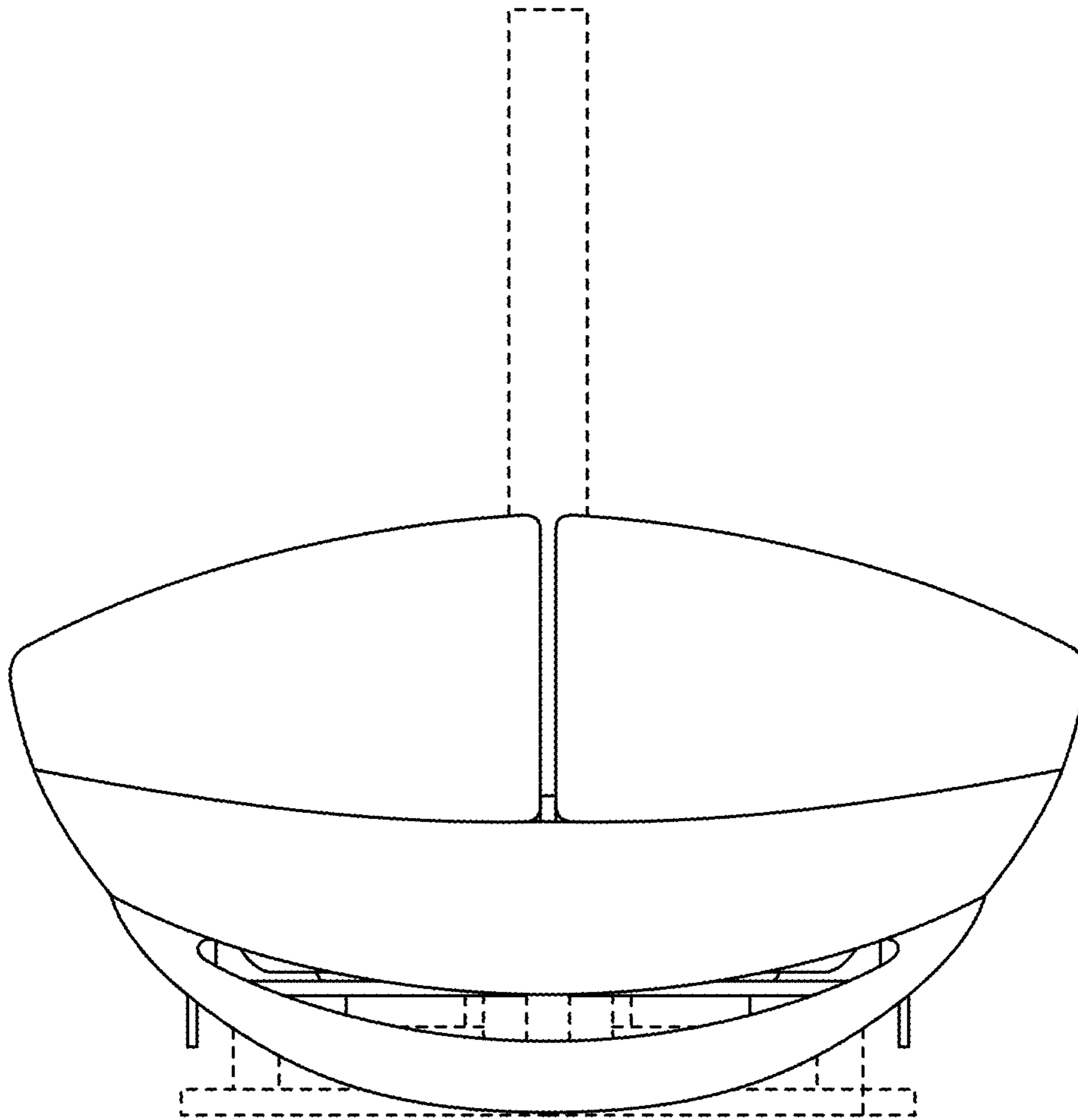


FIG.2

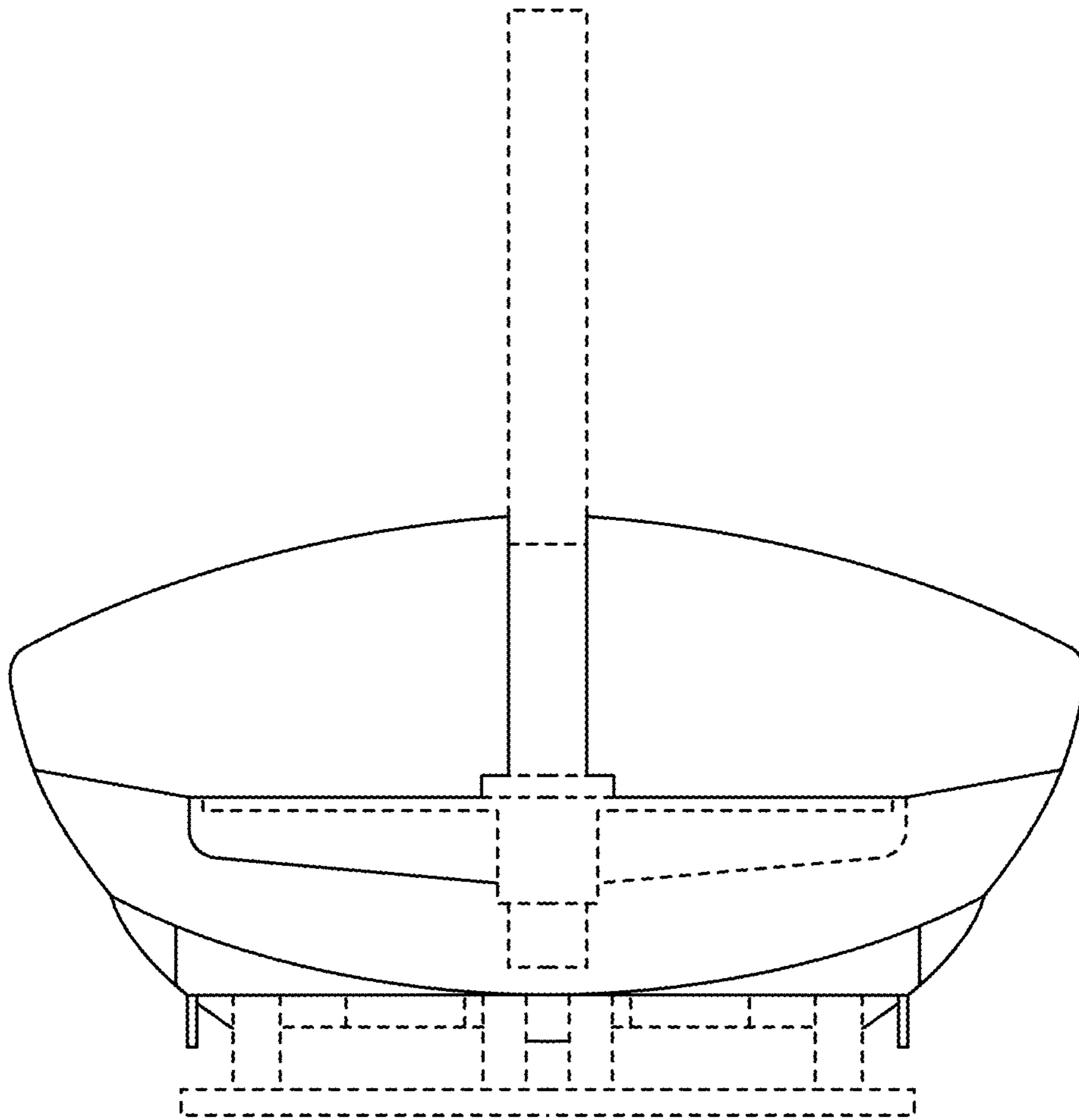


FIG.3

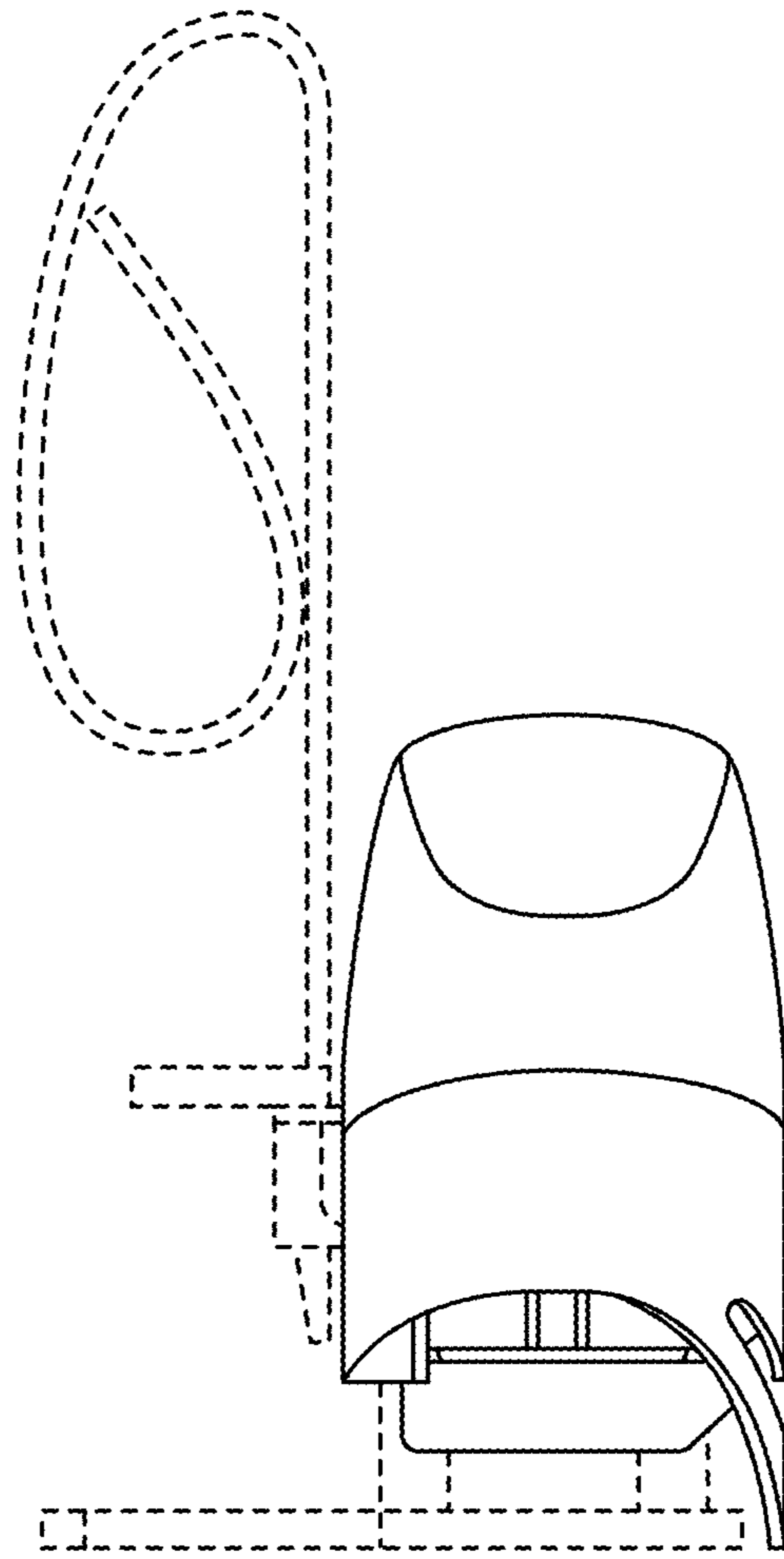


FIG.4

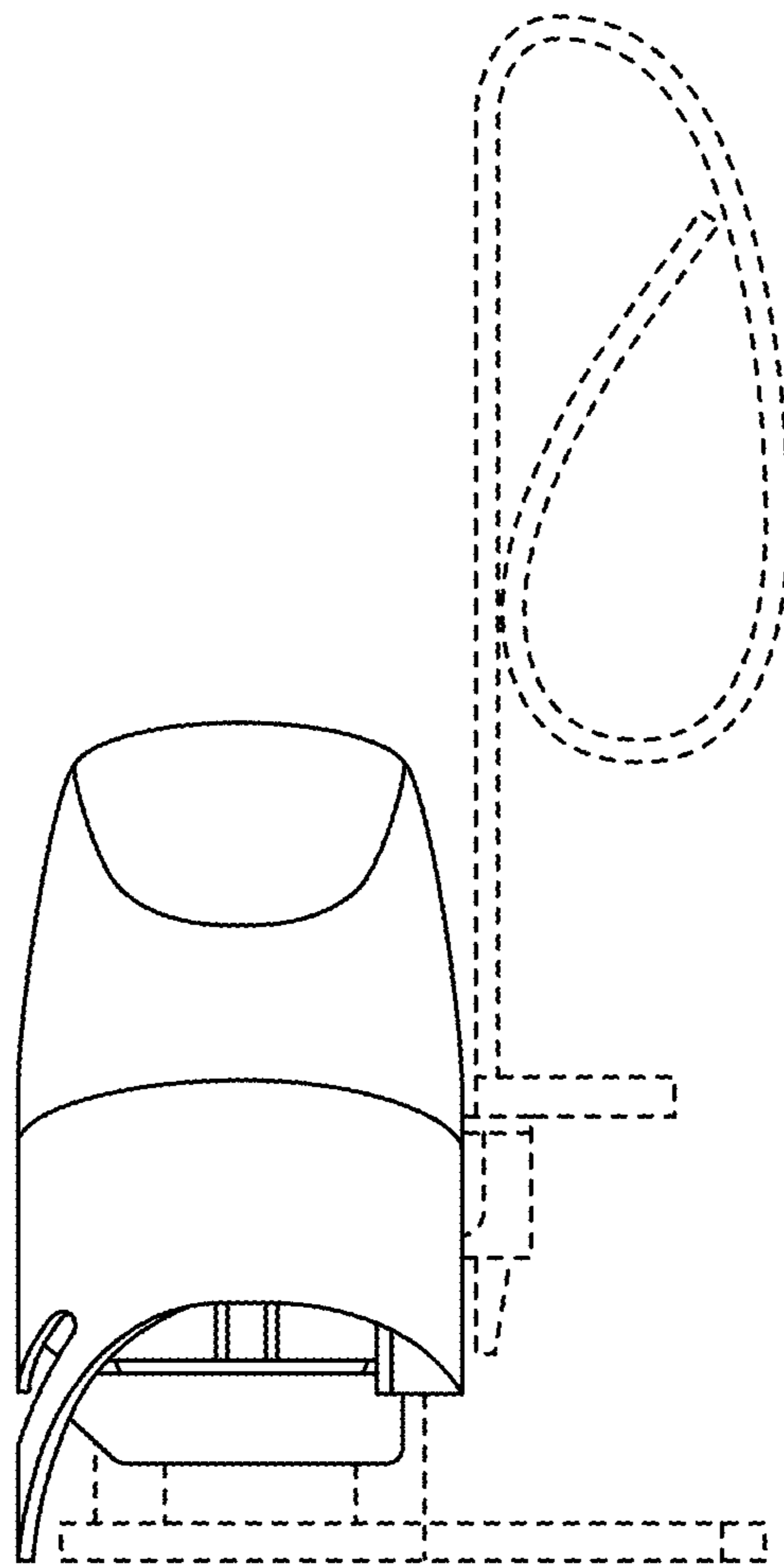


FIG.5

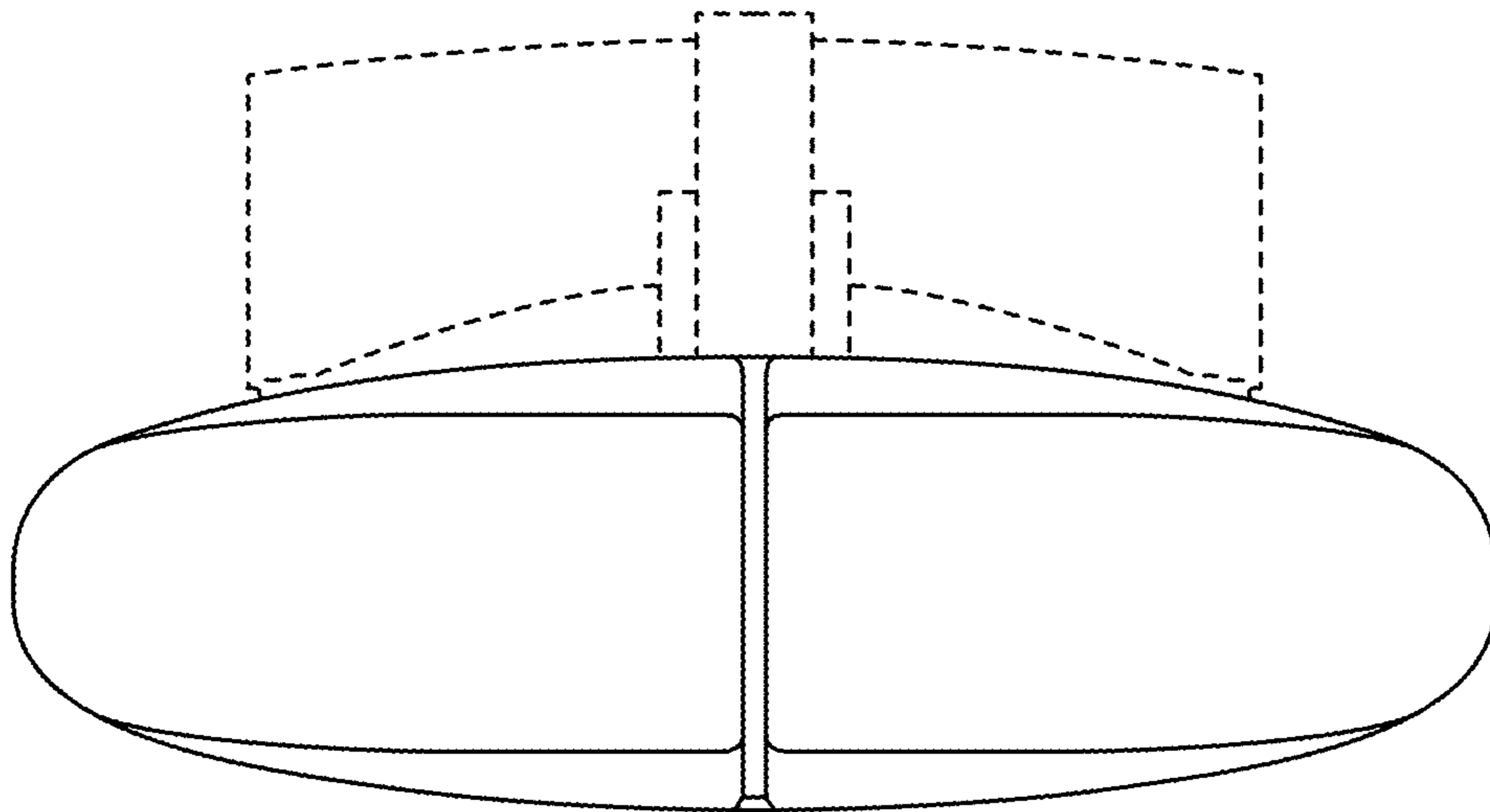


FIG. 6

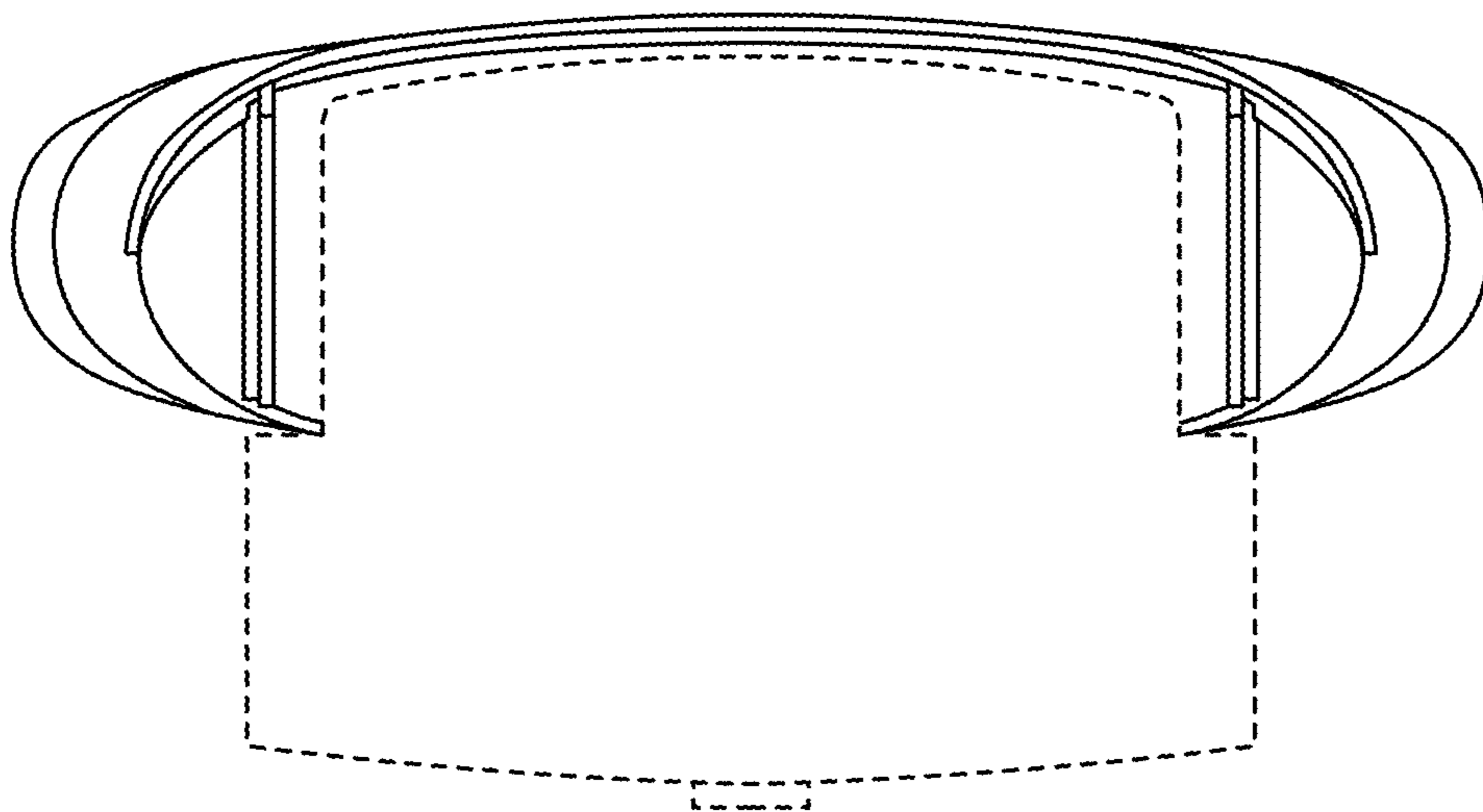


FIG. 7