



US00D795382S

(12) **United States Design Patent** (10) **Patent No.:** **US D795,382 S**
Oh (45) **Date of Patent:** **** Aug. 22, 2017**

- (54) **TRAP, ARTICLE FOR PEST KILLING**
- (71) Applicant: **Henkel AG & Co. KGaA**, Duesseldorf (DE)
- (72) Inventor: **Soo Il Oh**, Seoul (KR)
- (73) Assignee: **Henkel AG & Co. KGaA**, Duesseldorf (DE)
- (**) Term: **15 Years**
- (21) Appl. No.: **29/584,437**
- (22) Filed: **Nov. 15, 2016**

(56) **References Cited**

U.S. PATENT DOCUMENTS

1,561,832 A *	11/1925	Corsi	A01M 1/14 43/115
2,201,530 A *	5/1940	Fuld	A47K 17/00 239/57
2,352,075 A *	6/1944	Brownstein	A61L 9/12 239/57
D228,911 S *	10/1973	Gatter	D23/367
4,392,322 A *	7/1983	Kaveloski	A01M 1/02 43/118
D276,253 S *	11/1984	Stout	D22/120
5,961,043 A *	10/1999	Samuelson	A01M 1/2044 206/486

* cited by examiner

Primary Examiner — Catheri Oliver-Garcia
(74) *Attorney, Agent, or Firm* — Thomas G. Krivulka

- Related U.S. Application Data**
- (62) Division of application No. 29/501,450, filed on Sep. 4, 2014, now Pat. No. Des. 775,307.

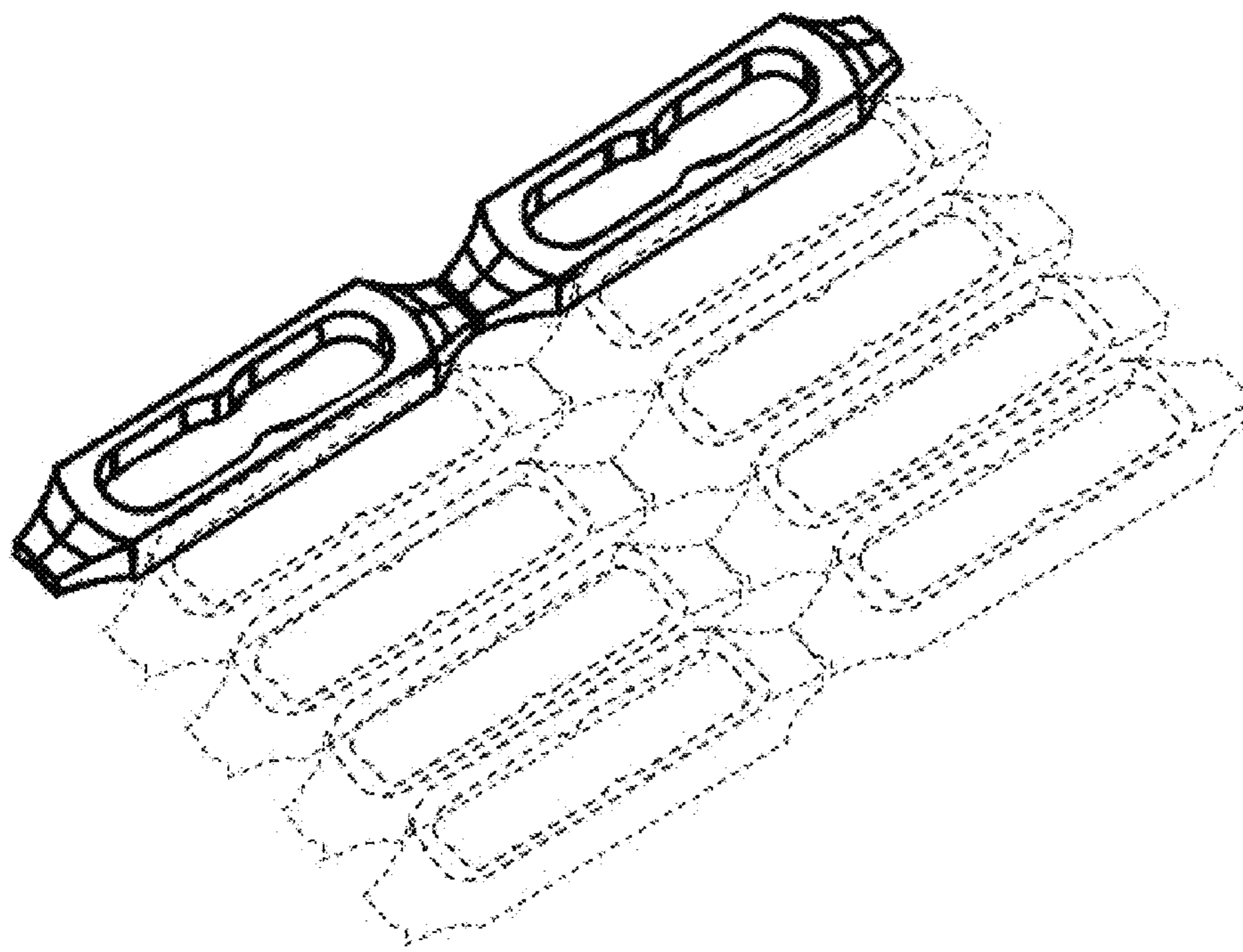
- (30) **Foreign Application Priority Data**
- Mar. 6, 2014 (EM) 002419481
- (51) **LOC (10) Cl.** **22-06**
 - (52) **U.S. Cl.**
USPC **D22/122**
 - (58) **Field of Classification Search**
USPC D22/119–124; 43/124, 131, 132.1, 115,
43/118; D23/367–368; 206/486, 806;
239/54, 56–57
CPC A01M 1/00; A01M 1/02; A01M 1/103;
A01M 1/106; A01M 1/14
See application file for complete search history.

(57) **CLAIM**
The ornamental design for trap, article for pest killing, as shown and described.

DESCRIPTION

FIG. 1 is a front perspective view of a trap, article for pest killing;
FIG. 2 is a front elevation view thereof;
FIG. 3 is a rear elevation view thereof;
FIG. 4 is a left elevation view thereof;
FIG. 5 is a right elevation view thereof;
FIG. 6 is a top plan view thereof; and,
FIG. 7 is a bottom plan view thereof.

1 Claim, 5 Drawing Sheets



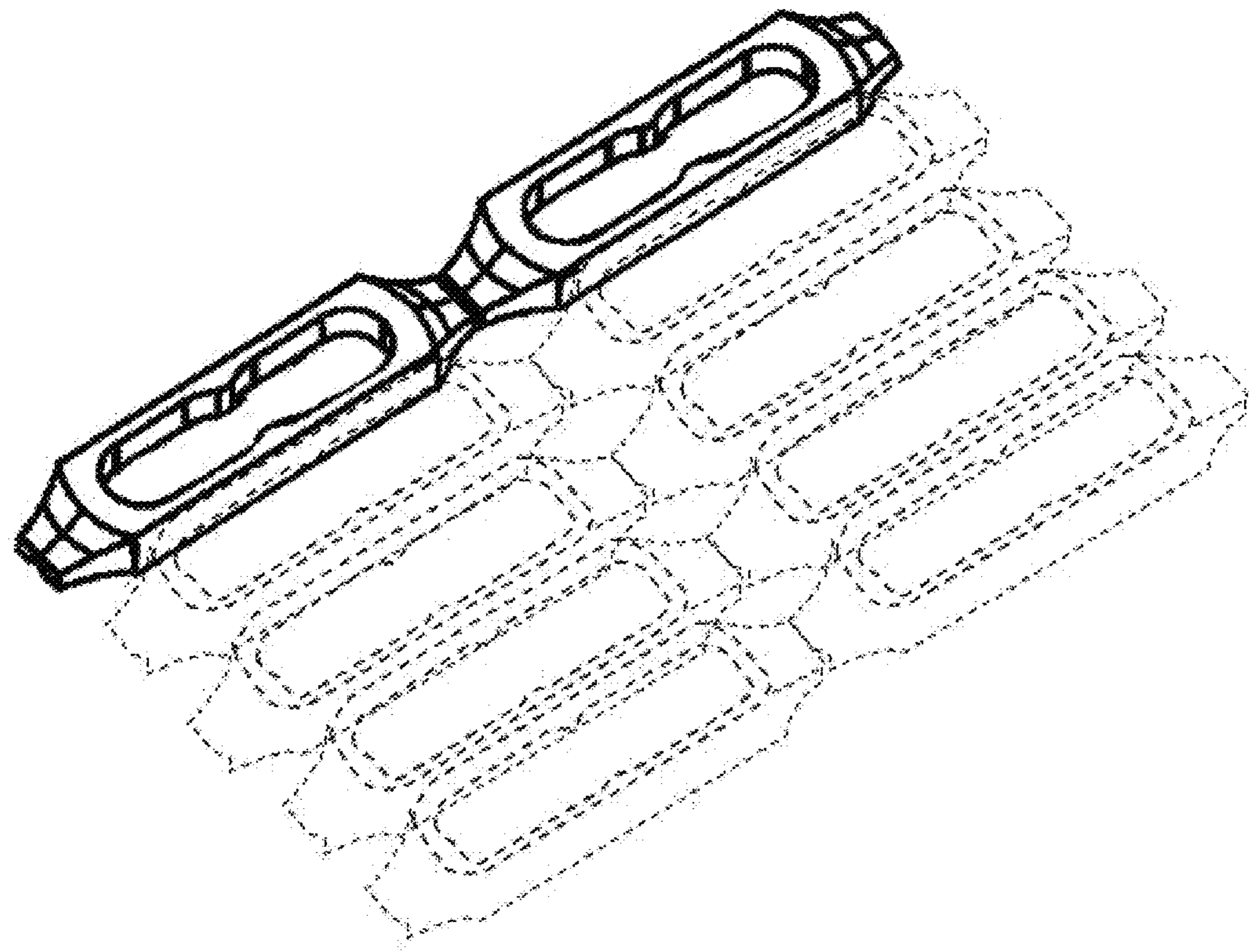


FIG. 1

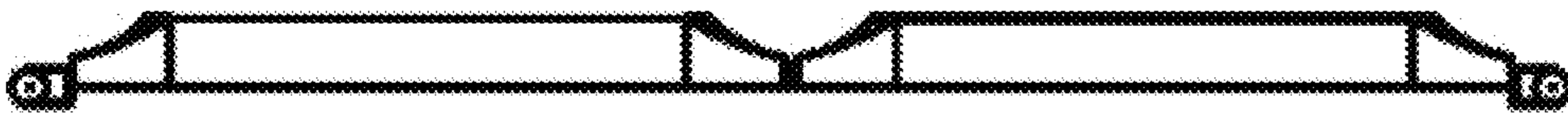


FIG. 2

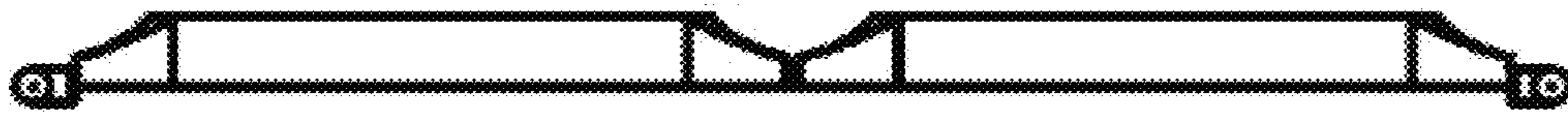


FIG. 3

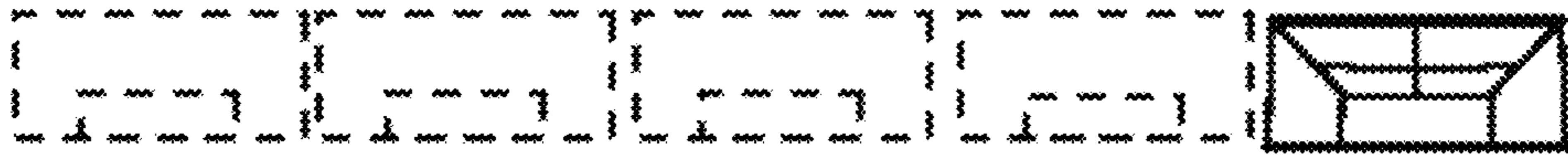


FIG. 4

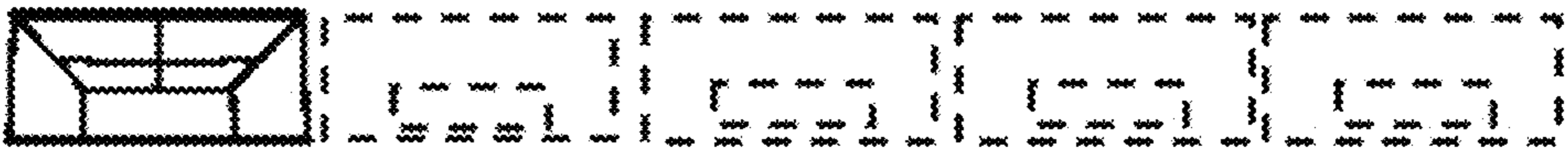


FIG. 5

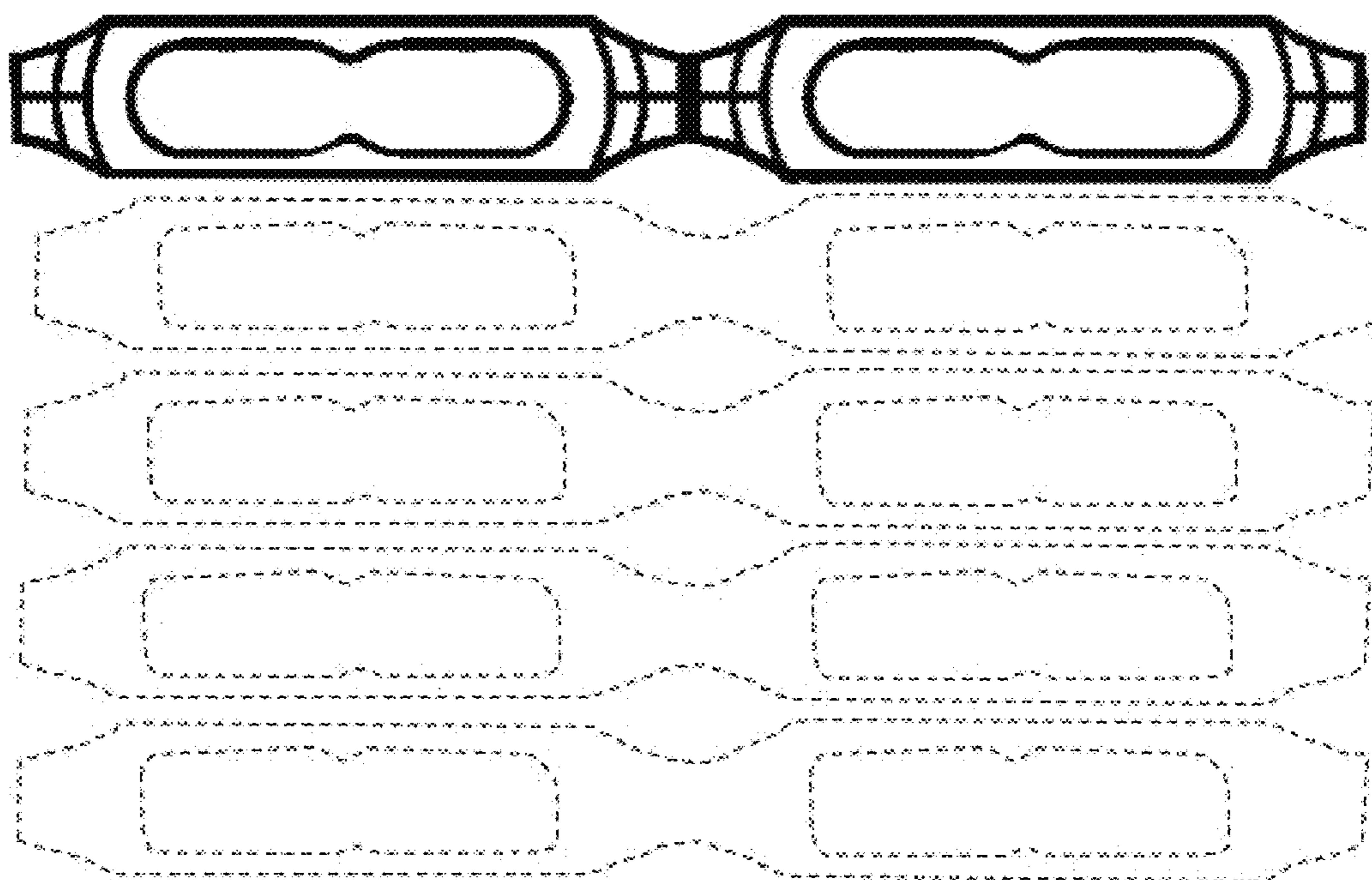


FIG. 6

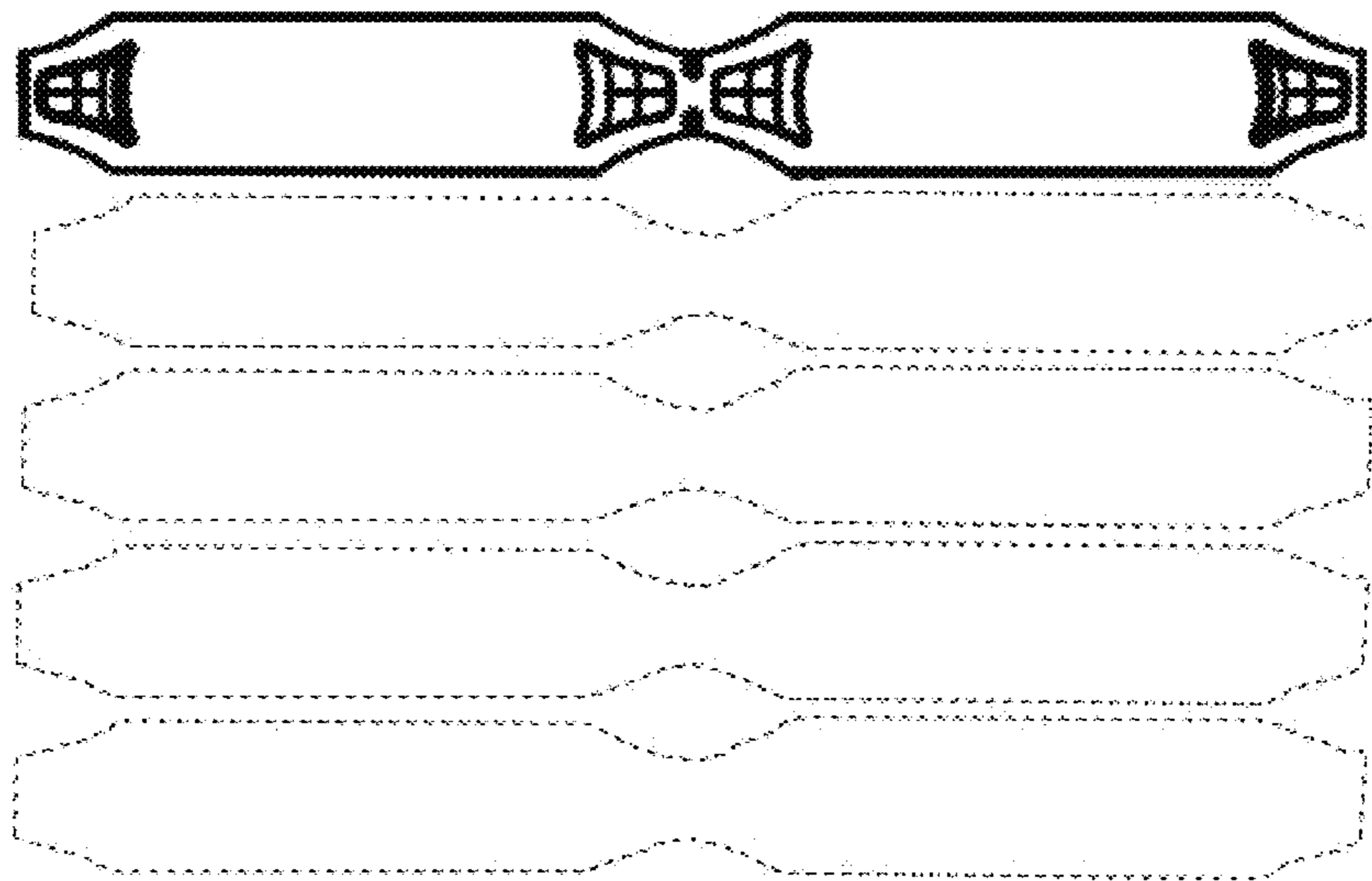


FIG. 7