



US00D795380S

(12) **United States Design Patent** (10) **Patent No.:** **US D795,380 S**
Gibbens et al. (45) **Date of Patent:** **** Aug. 22, 2017**

(54) **WEAPON HANDGUARD ACCESSORY MOUNTING SYSTEM**

D759,185 S * 6/2016 Kielsmeier D22/108
9,448,030 B2 * 9/2016 Hines F41C 27/00
2014/0026459 A1 * 1/2014 Yan F41C 23/16
42/71.01

(71) Applicant: **Magpul Industries Corp.**, Austin, TX (US)

* cited by examiner

(72) Inventors: **Kevin W. Gibbens**, Mesa, AZ (US);
David W. Gibbens, Mesa, AZ (US)

Primary Examiner — Michael A Pratt
(74) *Attorney, Agent, or Firm* — Neugeboren O'Dowd PC

(73) Assignee: **Magpul Industries Corp.**, Austin, TX (US)

(57) **CLAIM**

The ornamental design for the weapon handguard accessory mounting system, as shown and described.

(**) Term: **15 Years**

DESCRIPTION

(21) Appl. No.: **29/553,102**

(22) Filed: **Jan. 28, 2016**

Related U.S. Application Data

(63) Continuation of application No. 29/444,153, filed on Jan. 26, 2013, now Pat. No. Des. 751,661.

(51) **LOC (10) Cl.** **22-01**

(52) **U.S. Cl.**
USPC **D22/108**

(58) **Field of Classification Search**
CPC F41C 23/10; F41C 23/14; F41C 23/16;
F41C 23/18; F41A 35/02
See application file for complete search history.

(56) **References Cited**

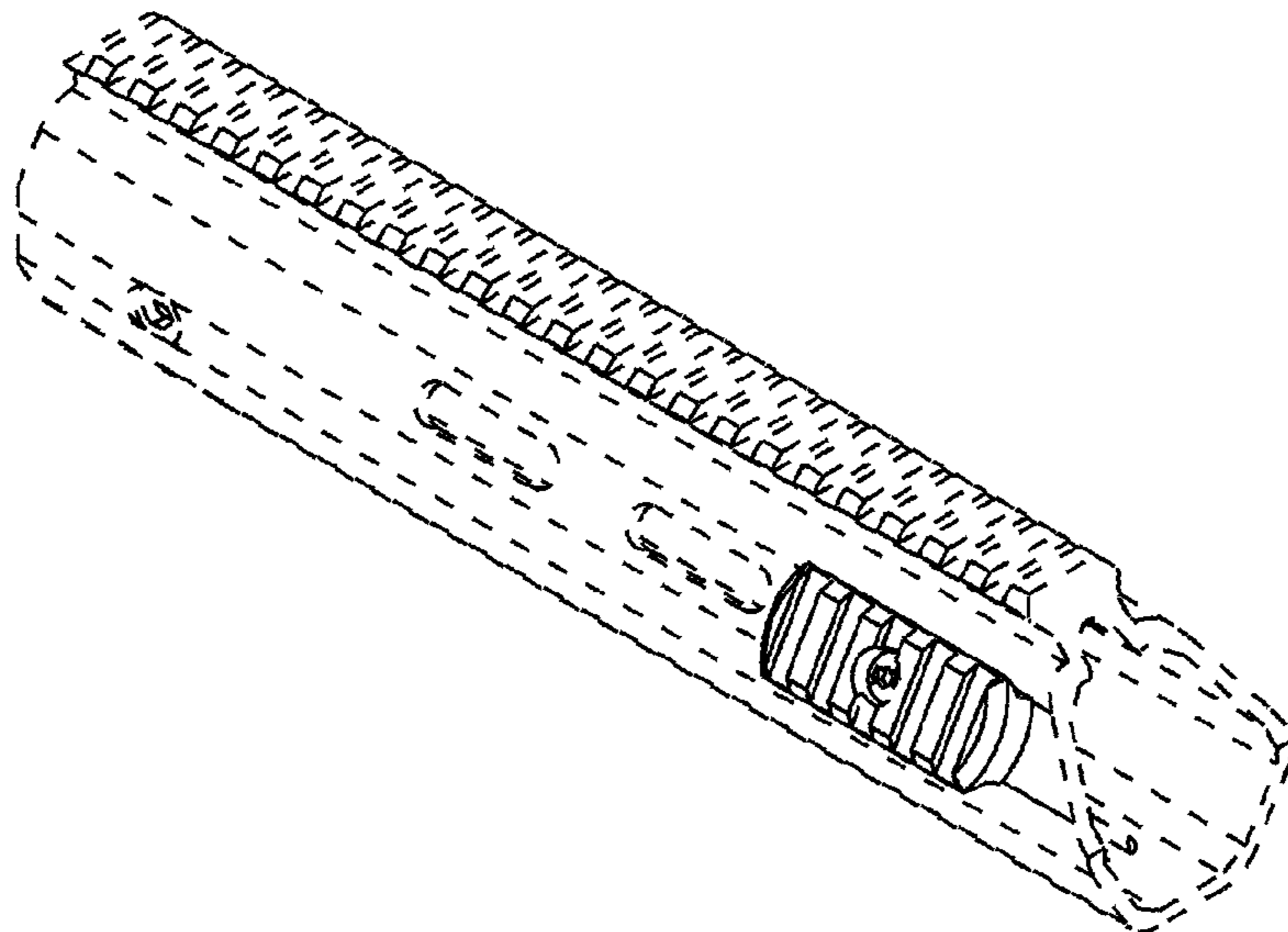
U.S. PATENT DOCUMENTS

6,691,973 B1 * 2/2004 Barfield A01K 97/10
248/156
D709,582 S * 7/2014 Geissele D22/108
D751,661 S * 3/2016 Gibbens F41C 23/16
D22/108
D754,274 S * 4/2016 Geissele D22/108
D758,518 S * 6/2016 Daniel D22/108

FIG. 1 is a front perspective view of a weapon handguard accessory mounting system with an accessory rail mounted to a handguard body of a weapon handguard;
FIG. 2 is an exploded perspective view of the weapon handguard accessory mounting system showing the accessory rail and quick-turn fastener;
FIG. 3 is a top perspective view of the accessory rail and quick-turn fastener of the weapon handguard accessory mounting system;
FIG. 4 is a bottom perspective view of the accessory rail and quick-turn fastener of the weapon handguard accessory mounting system;
FIG. 5 is a perspective view of the accessory rail of the weapon handguard accessory mounting system;
FIG. 6 is a top view of the accessory rail of the weapon handguard accessory mounting system;
FIG. 7 is a bottom view of the accessory rail of the weapon handguard accessory mounting system;
FIG. 8 is an end view of the accessory rail of the weapon handguard accessory mounting system; and,
FIG. 9 is a section view of the accessory rail of the weapon handguard accessory mounting system.

The components shown in broken lines in FIGS. 1-4 are for illustrative purposes only and form no part of the claimed design.

1 Claim, 2 Drawing Sheets



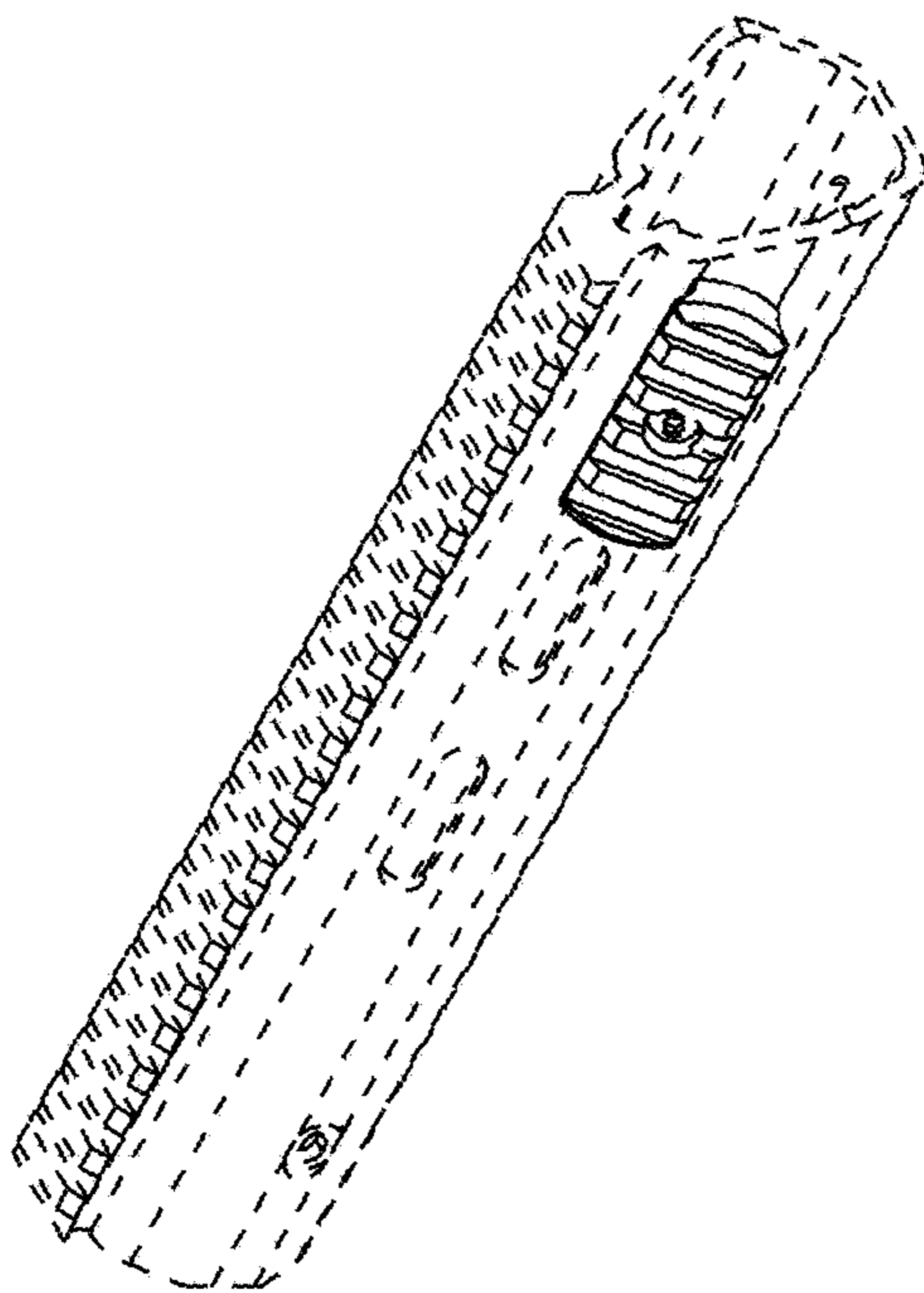


FIG. 1

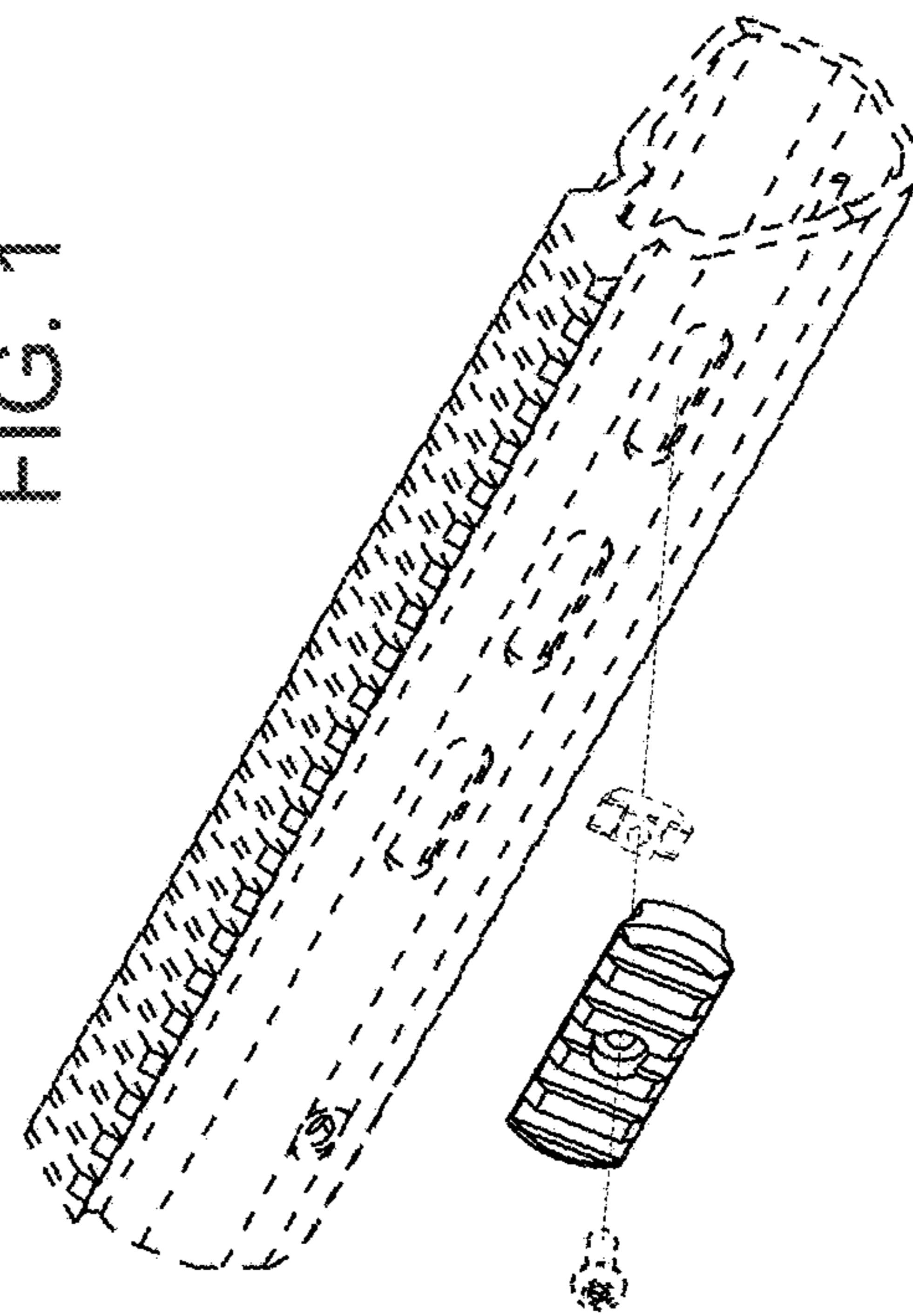


FIG. 2

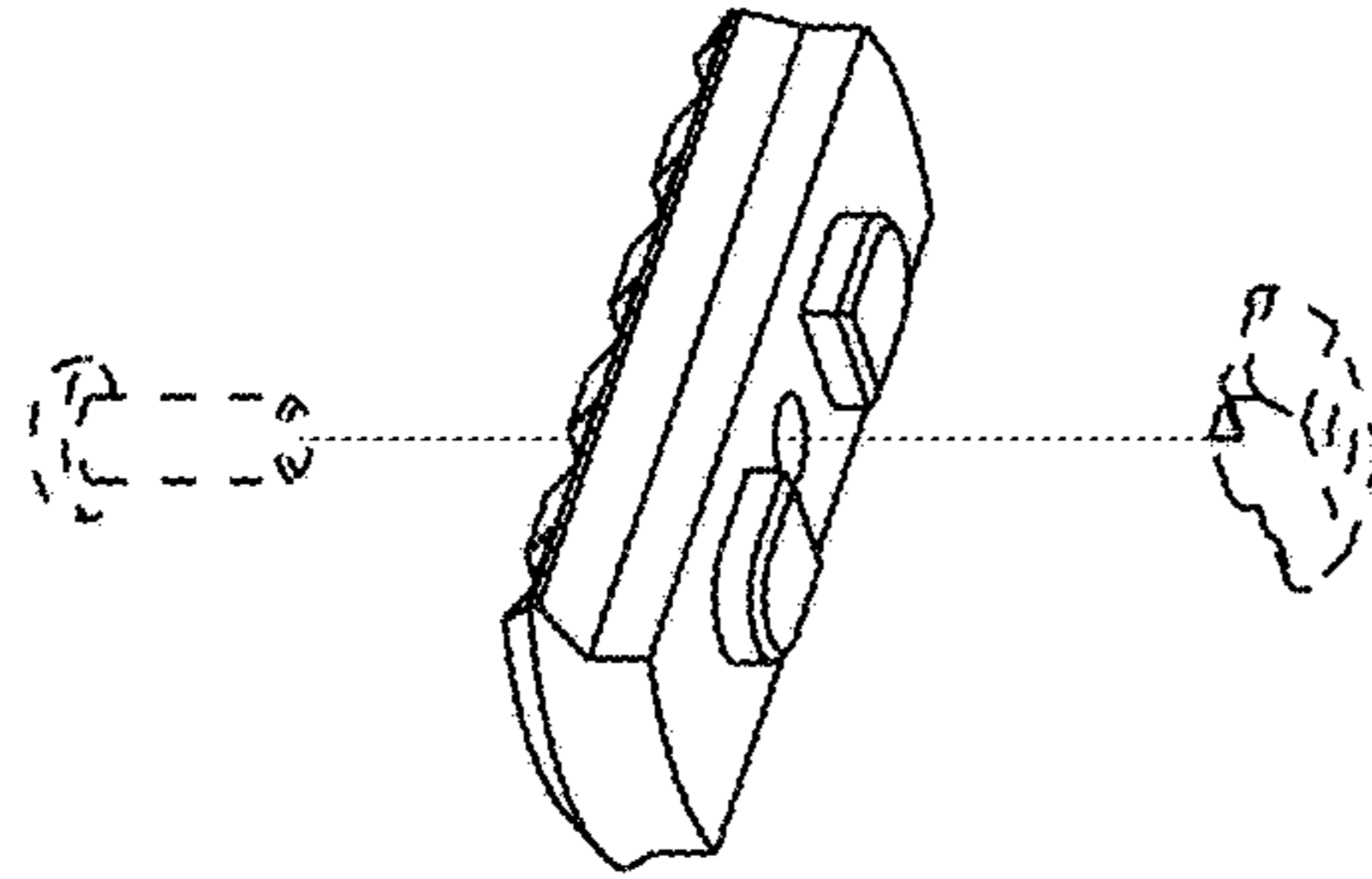


FIG. 3

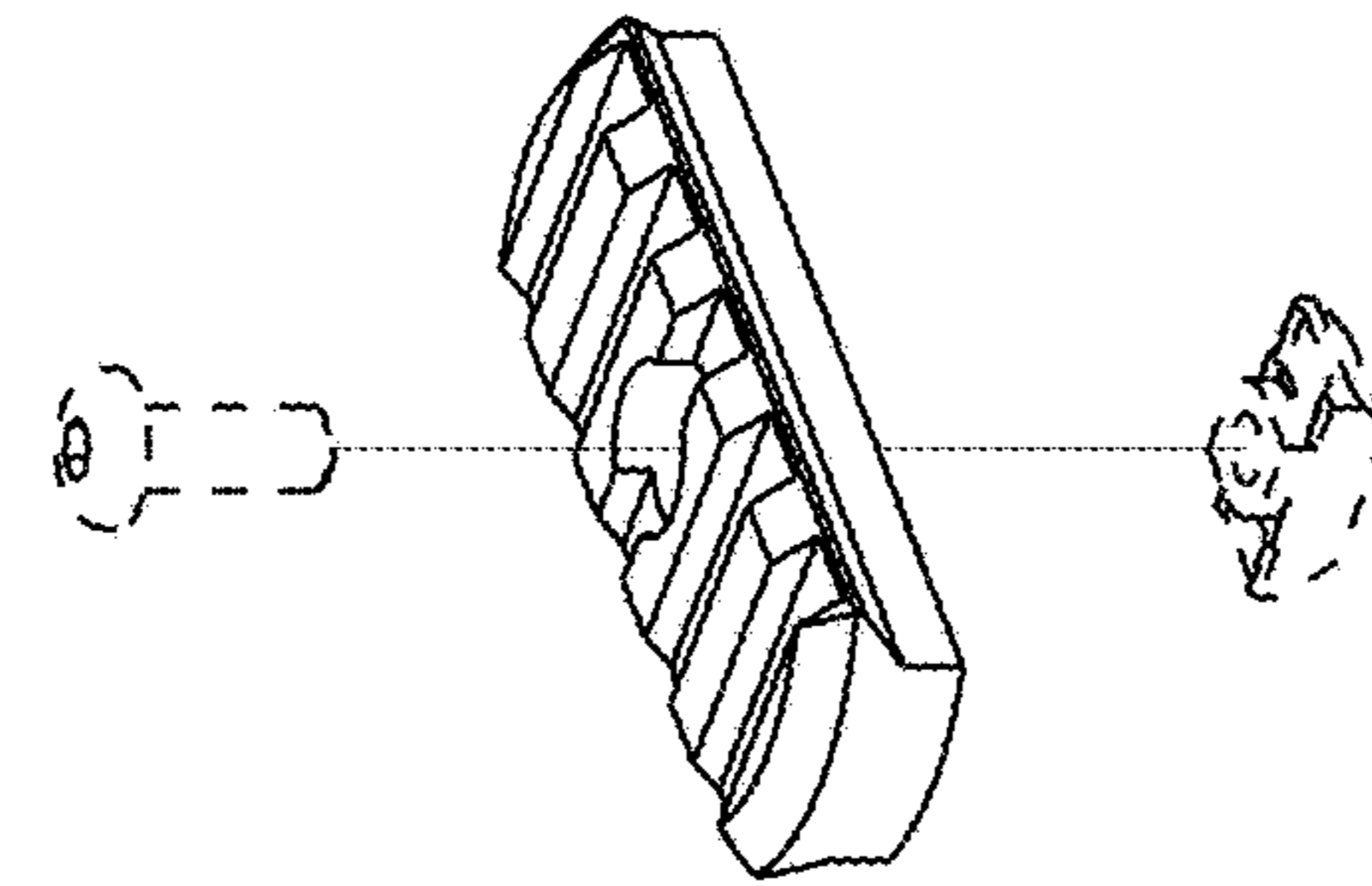


FIG. 4

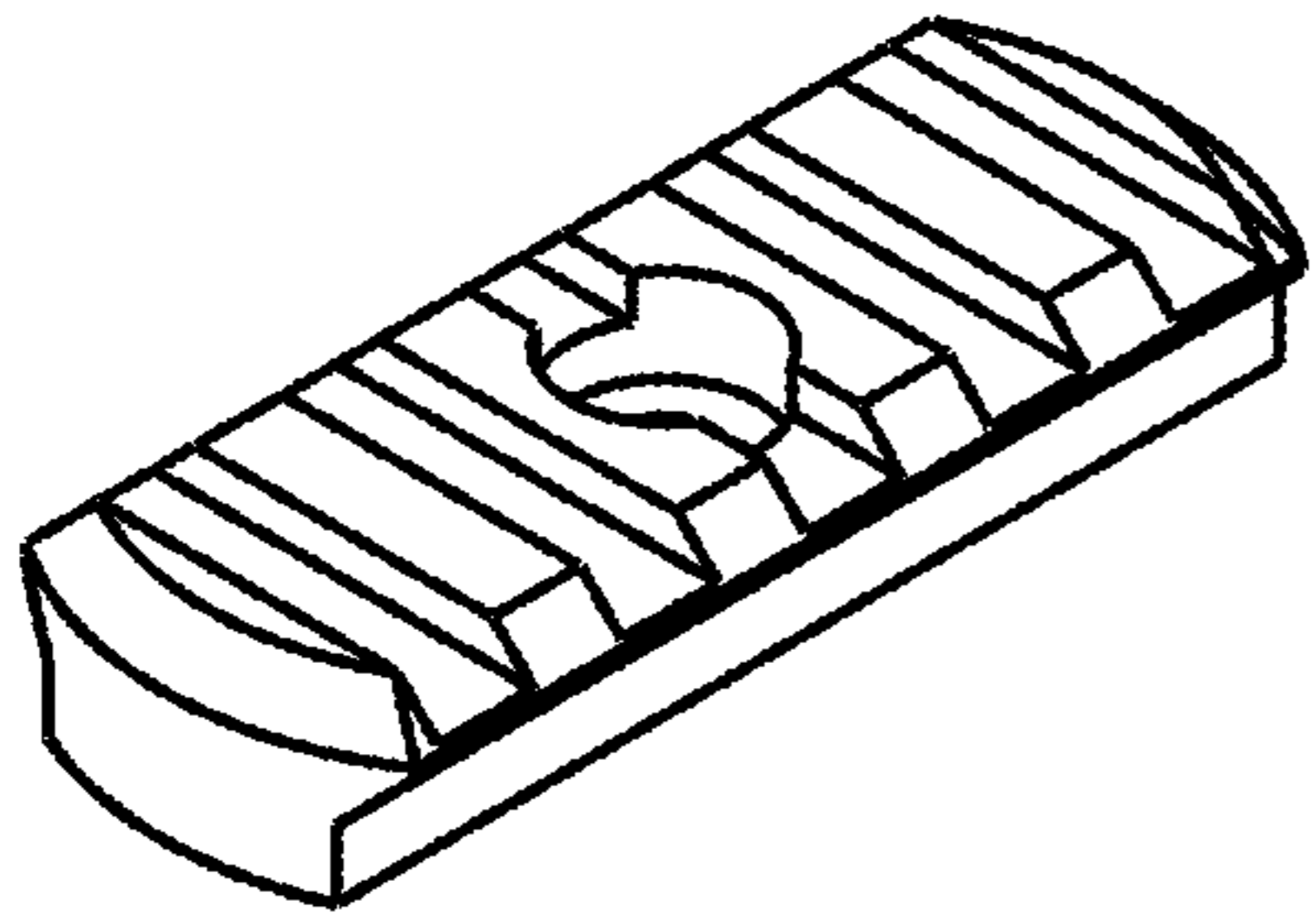


FIG. 5

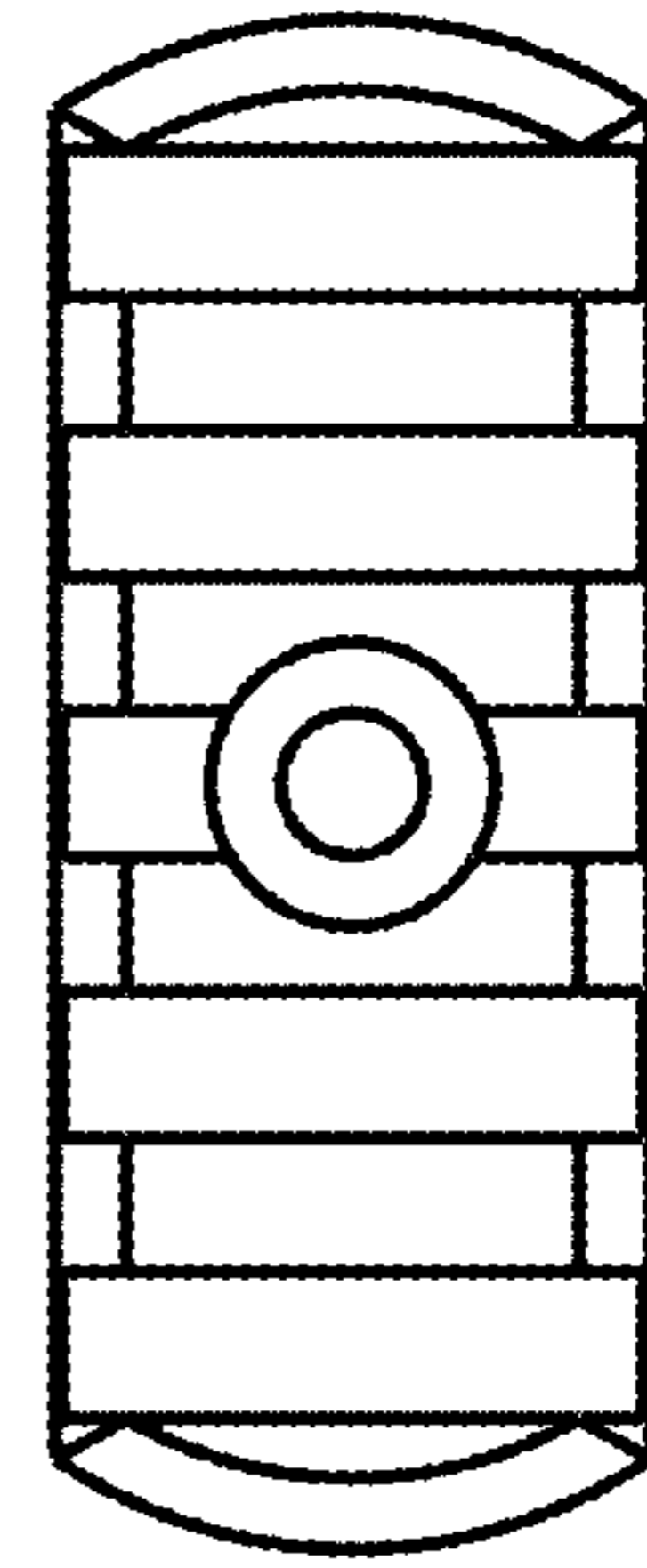


FIG. 6

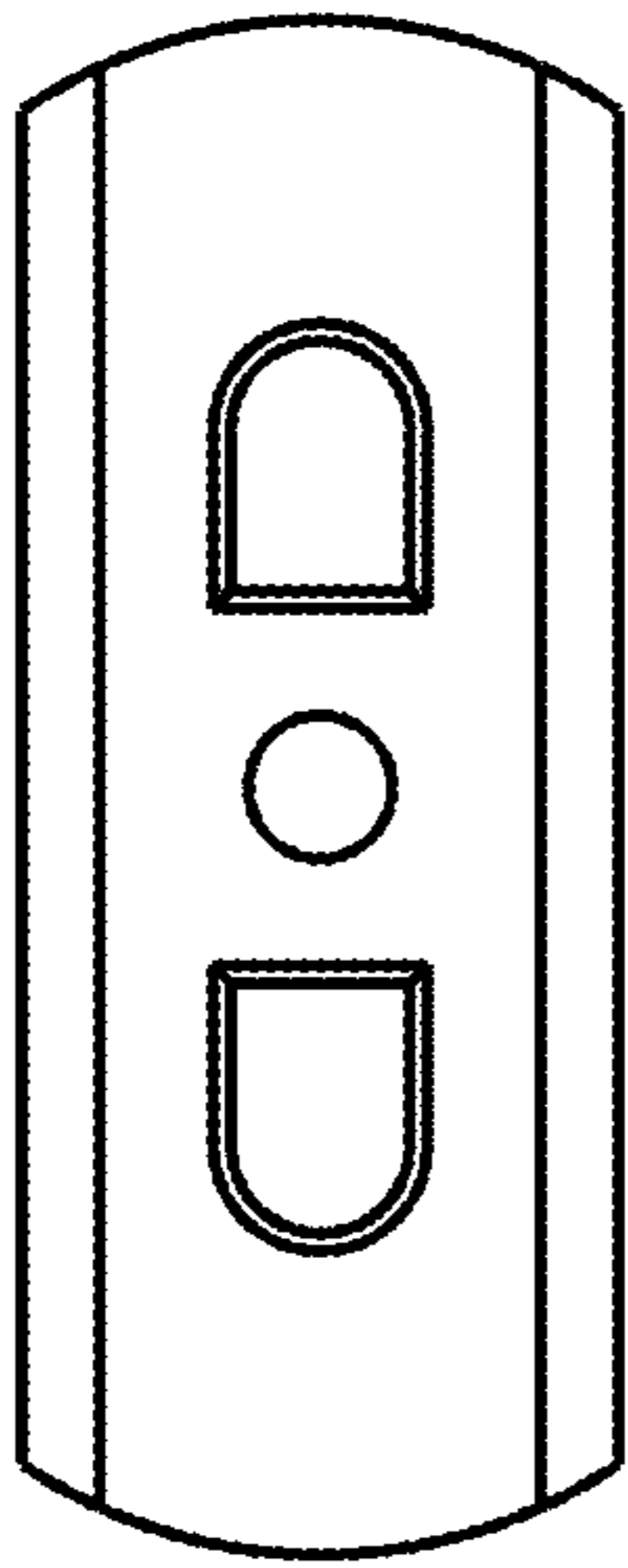


FIG. 7

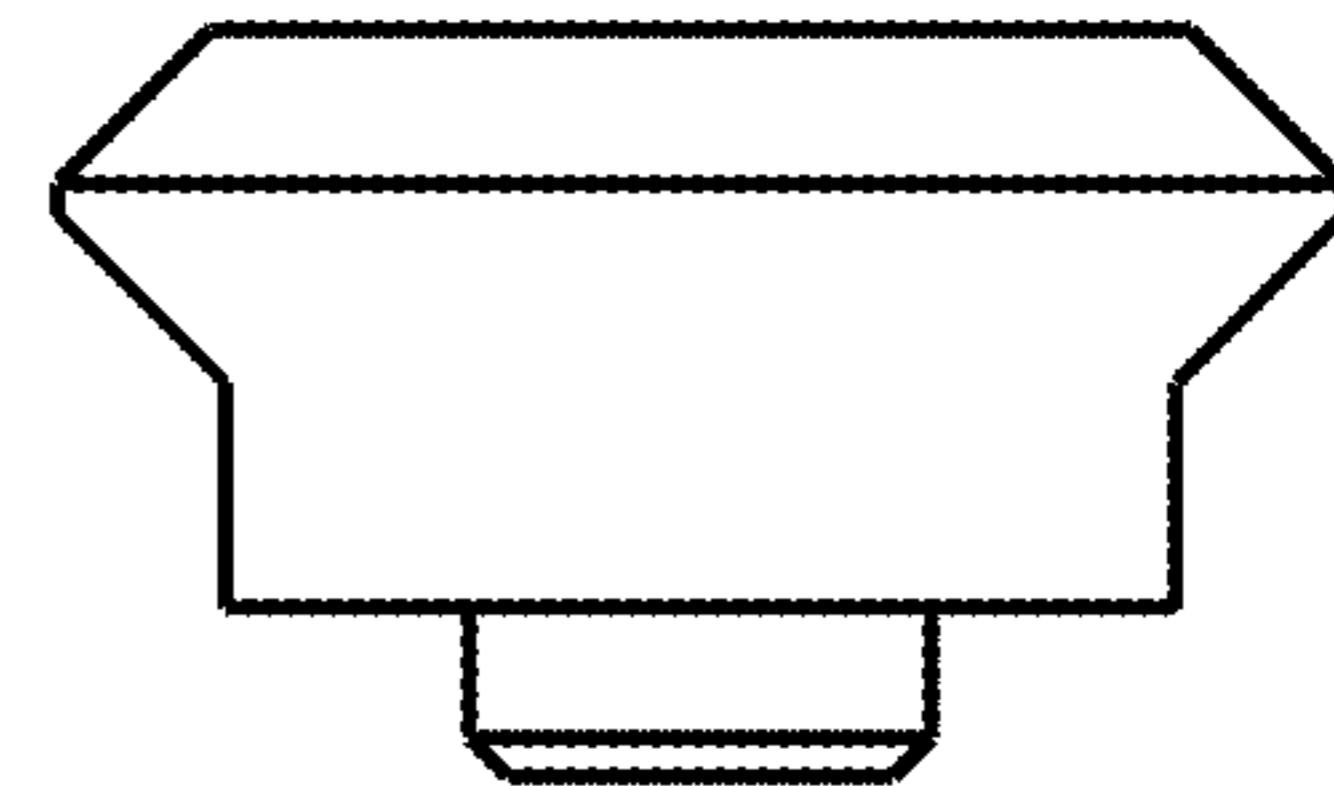


FIG. 8

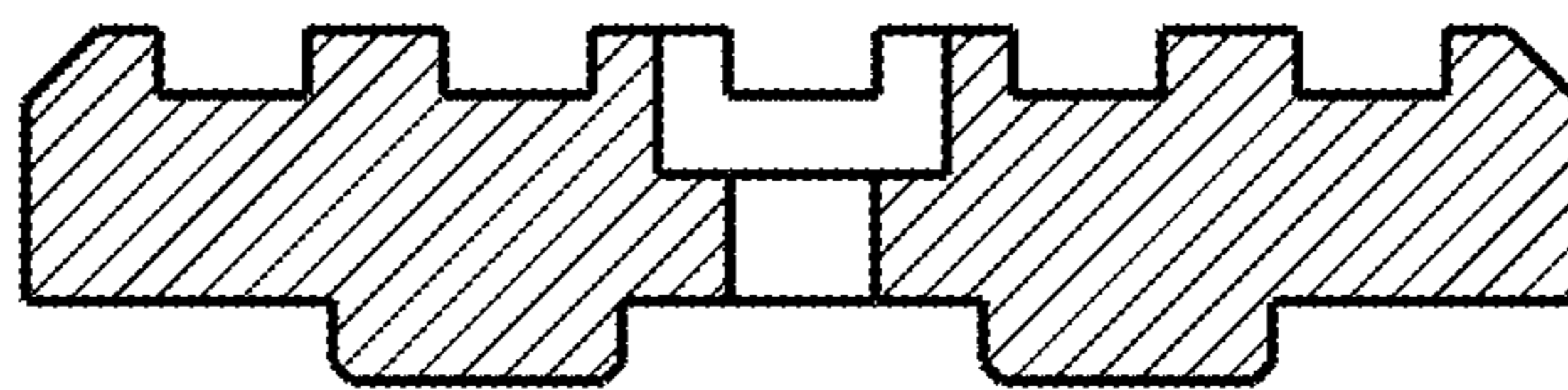


FIG. 9