



US00D795379S

(12) **United States Design Patent** (10) **Patent No.:** **US D795,379 S**
Frederickson et al. (45) **Date of Patent:** **** Aug. 22, 2017**

- (54) **RECEIVER FOR A FIREARM** 2014/0331535 A1* 11/2014 Robinson F41A 3/66
42/6
- (71) Applicant: **WIPH, LLC**, St. George, UT (US) 2015/0153125 A1* 6/2015 Lutton F41A 17/46
42/69.01
- (72) Inventors: **Clifford J. Frederickson**, St. George, UT (US); **Michael H. Walther**, St. George, UT (US); **Thomas J. Ahey, IV**, St. George, UT (US) 2016/0153742 A1* 6/2016 Copeland F41C 23/00
42/72
- (73) Assignee: **WIPH, LLC**, St. George, UT (US) * cited by examiner
- (**) Term: **15 Years** *Primary Examiner* — Michael A Pratt
- (21) Appl. No.: **29/548,123** (74) *Attorney, Agent, or Firm* — Laubscher, Spendlove & Laubscher, P.C.
- (22) Filed: **Dec. 10, 2015**

(57) **CLAIM**

The ornamental design for a receiver for a firearm, as shown and described.

DESCRIPTION

FIG. 1 is a perspective view of the front, top and right sides of a receiver for a firearm according to one embodiment; FIG. 2 is a perspective view of the rear, bottom and left sides of the receiver for a firearm illustrated in FIG. 1; FIG. 3 is view of the top of the receiver for a firearm illustrated in FIG. 1; FIG. 4 is a view of the bottom of the receiver for a firearm illustrated in FIG. 1; FIG. 5 is a view of the right side of the receiver for a firearm illustrated in FIG. 1; FIG. 6 is a view of the left side of the receiver for a firearm illustrated in FIG. 1; FIG. 7 is a view of the rear side of the receiver for a firearm illustrated in FIG. 1; and, FIG. 8 is a view of the front side of the receiver for a firearm illustrated in FIG. 1.

The portion of the article depicted in broken lines is for illustrative purposes only and forms no part of the claimed design.

1 Claim, 4 Drawing Sheets

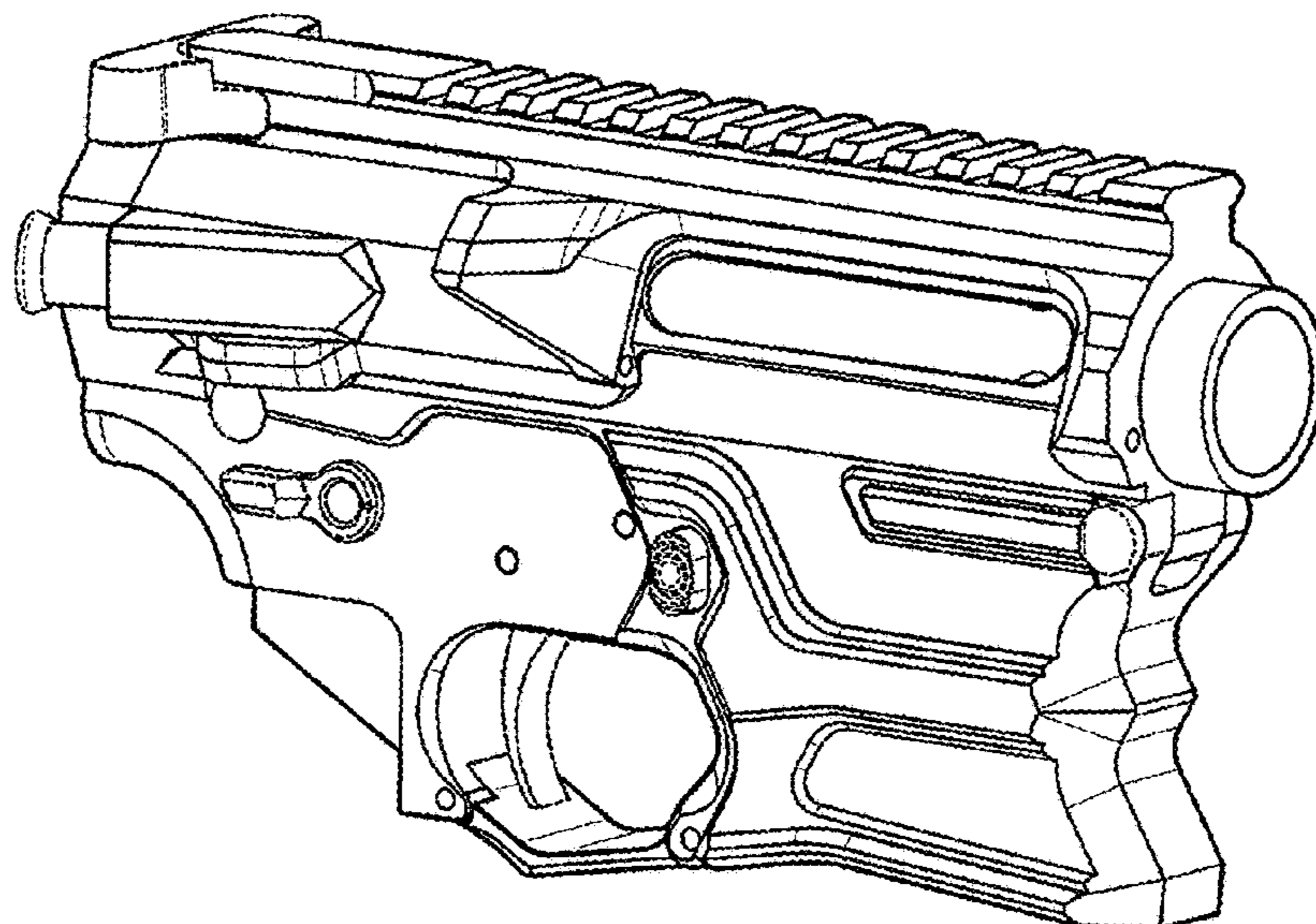
Related U.S. Application Data

- (63) Continuation-in-part of application No. 14/738,203, filed on Jun. 12, 2015, now Pat. No. 9,557,125.
- (51) **LOC (10) Cl.** **22-01**
- (52) **U.S. Cl.**
USPC **D22/108**
- (58) **Field of Classification Search**
USPC D22/103, 108; D21/572-575; D14/418
CPC F41C 23/00; F41C 27/00; F41C 27/06;
F41C 23/10; F41C 23/14; F41C 23/16;
F41C 23/18
See application file for complete search history.

References Cited

U.S. PATENT DOCUMENTS

- D746,936 S * 1/2016 Huang D22/108
- D755,329 S * 5/2016 Kielsmeier D22/108
- 9,482,478 B2 * 11/2016 Newman F41A 17/38
- D773,585 S * 12/2016 Miller, III D22/108



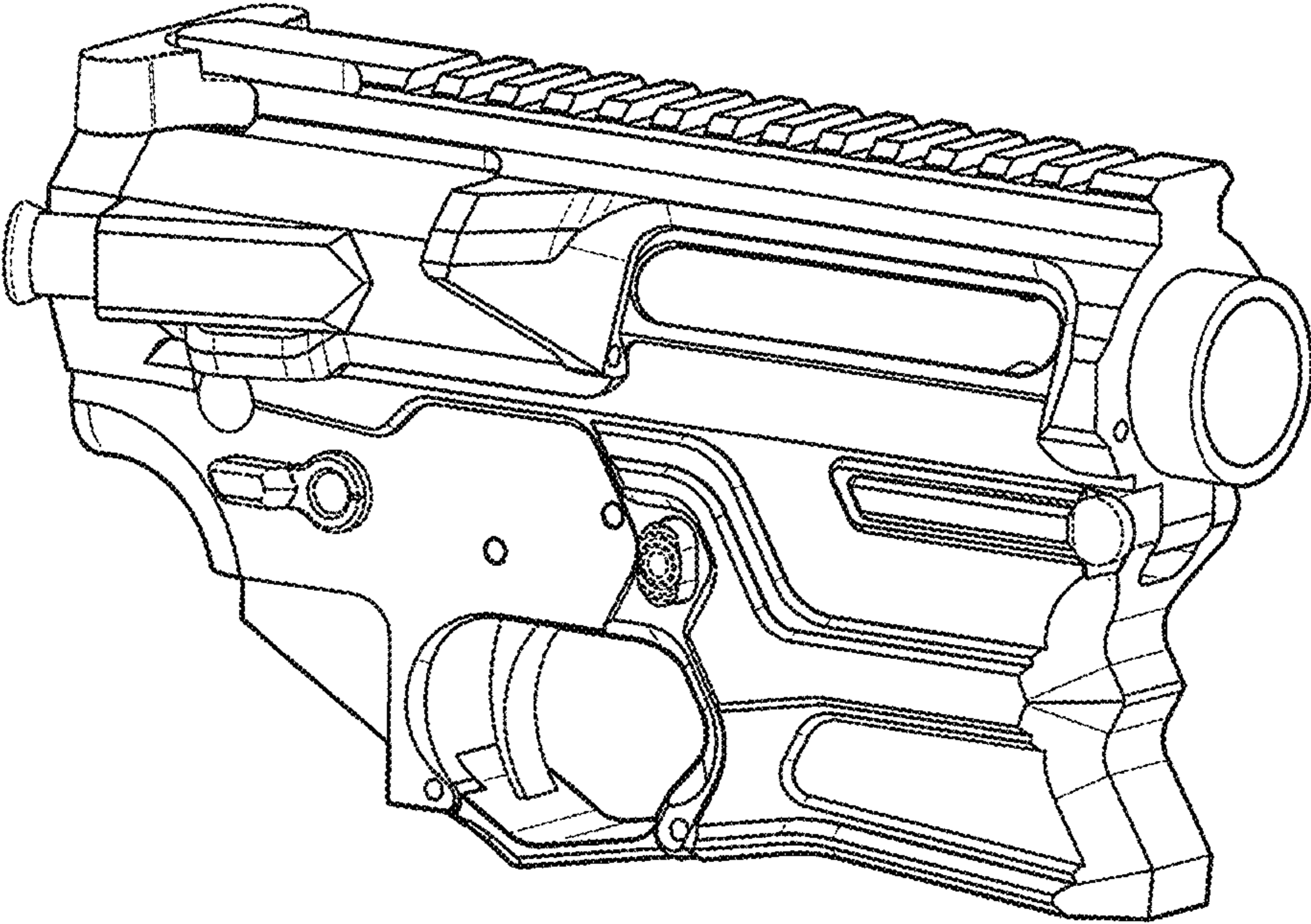


FIG. 1

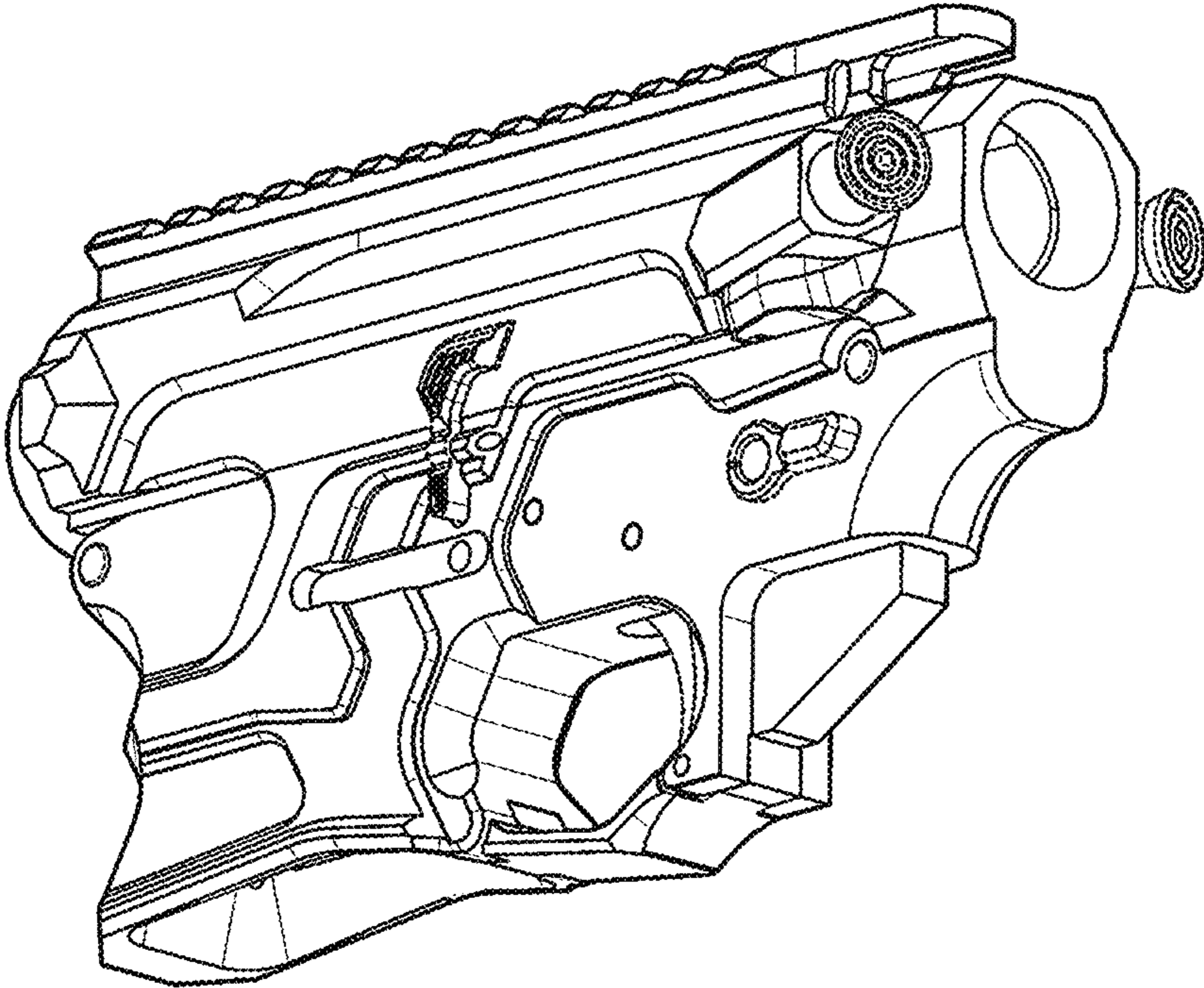


FIG. 2

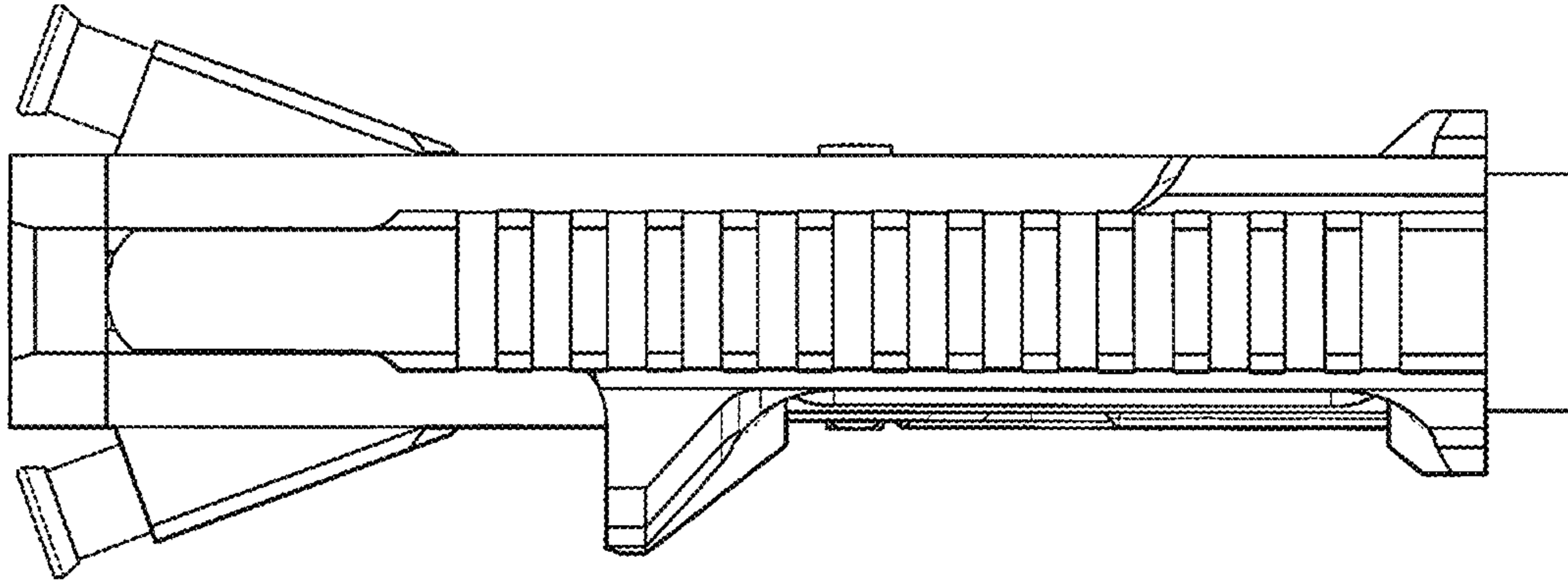


FIG. 3

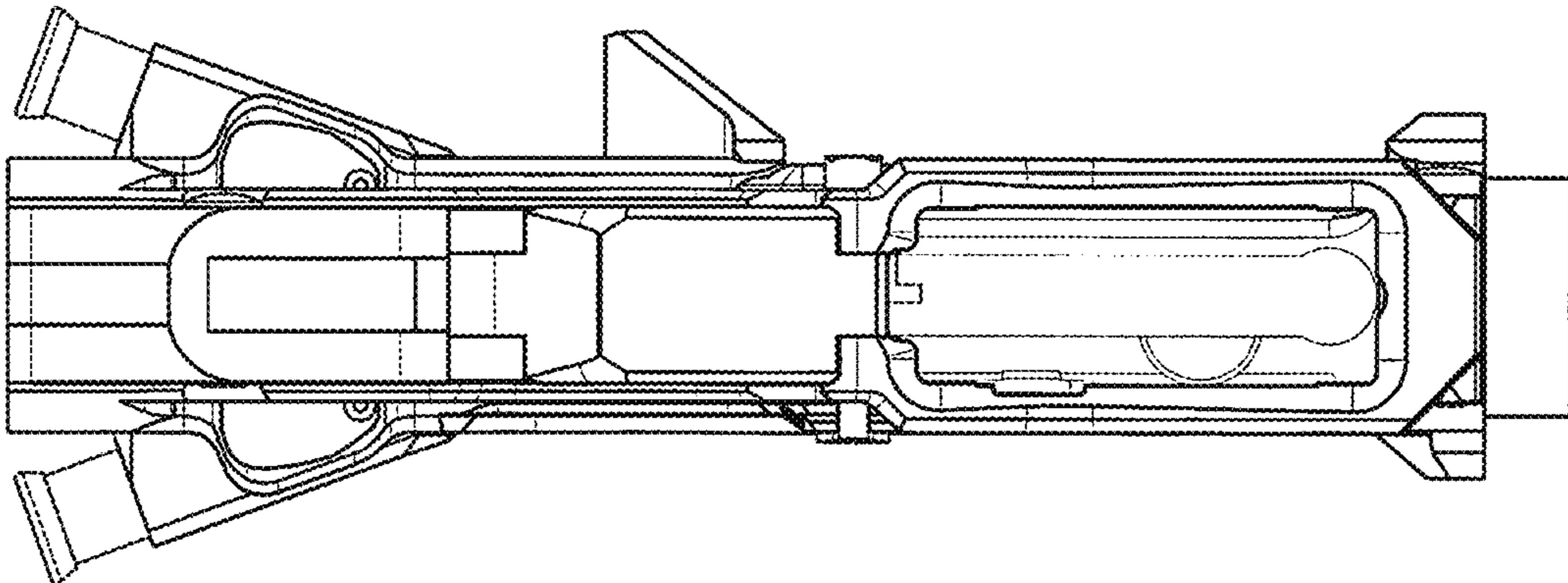


FIG. 4

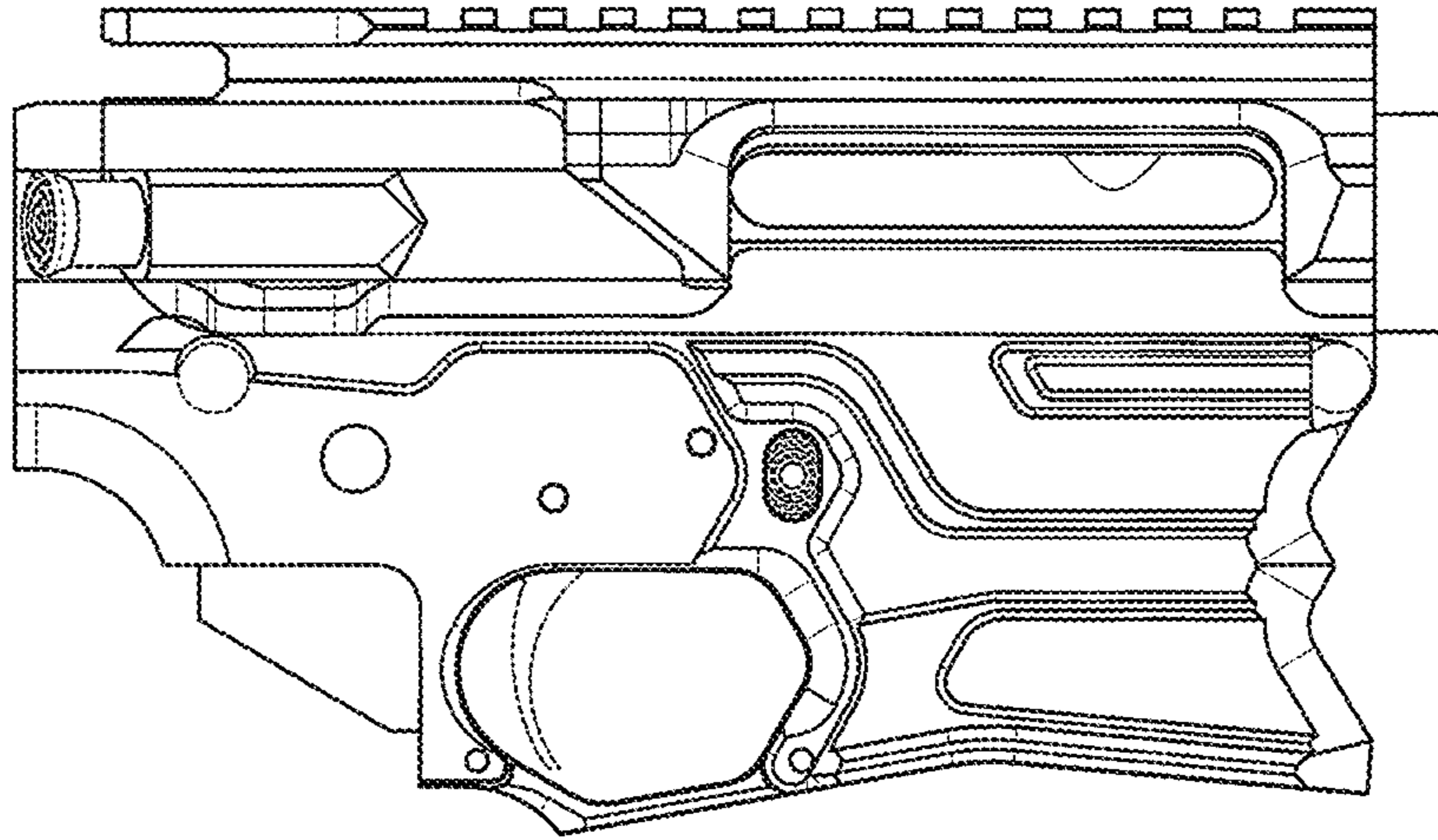


FIG. 5

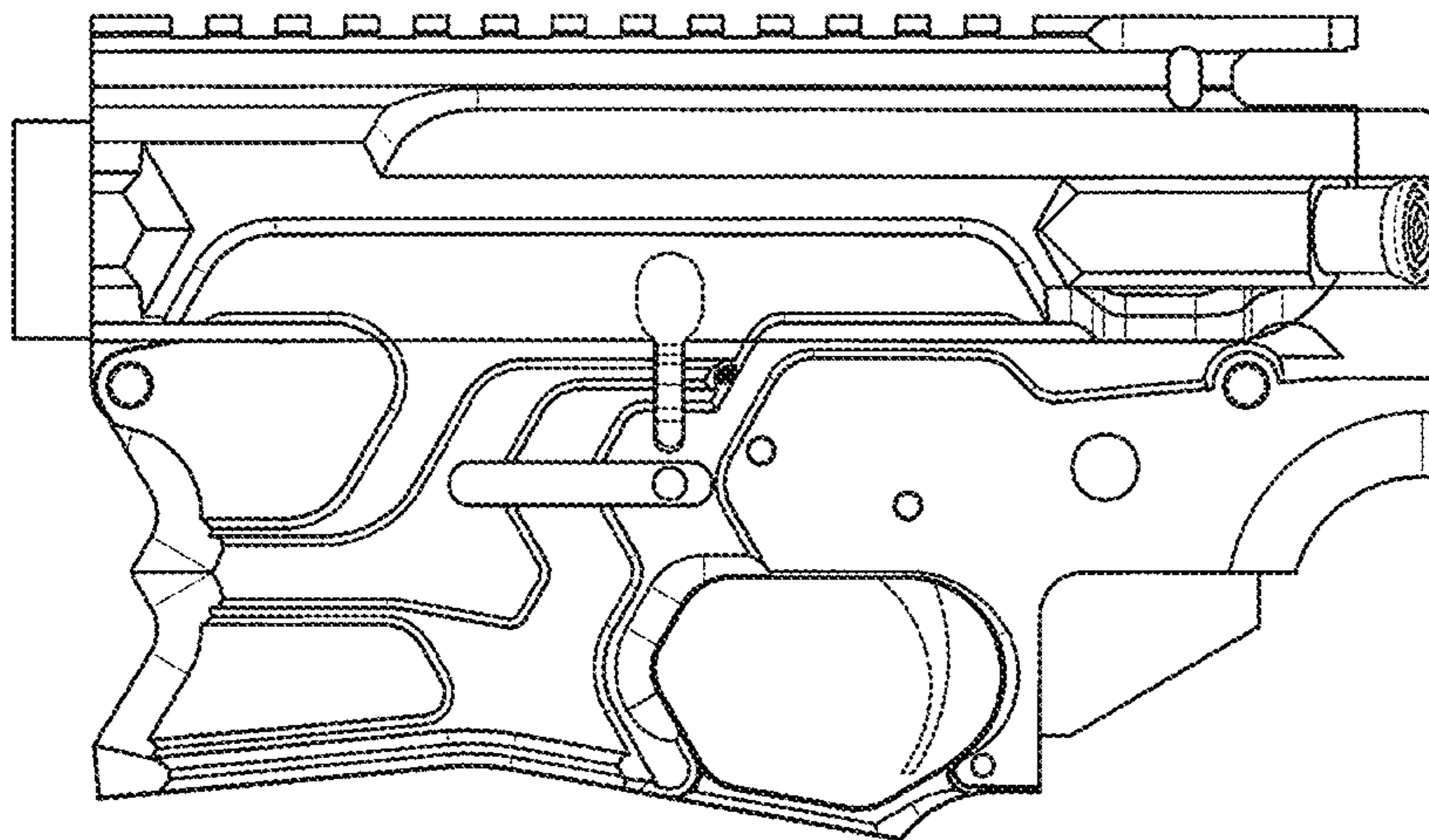


FIG. 6

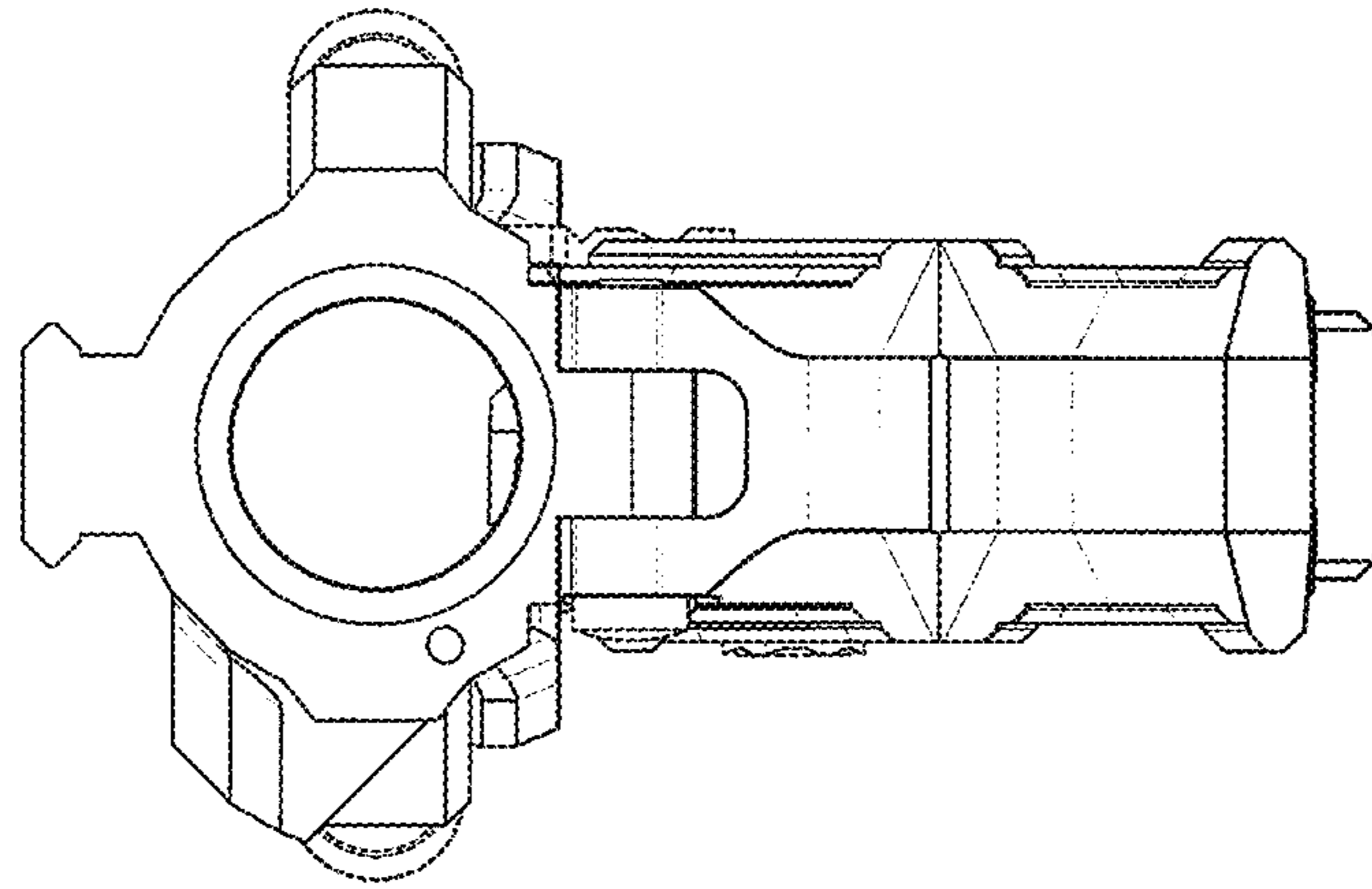


FIG. 8

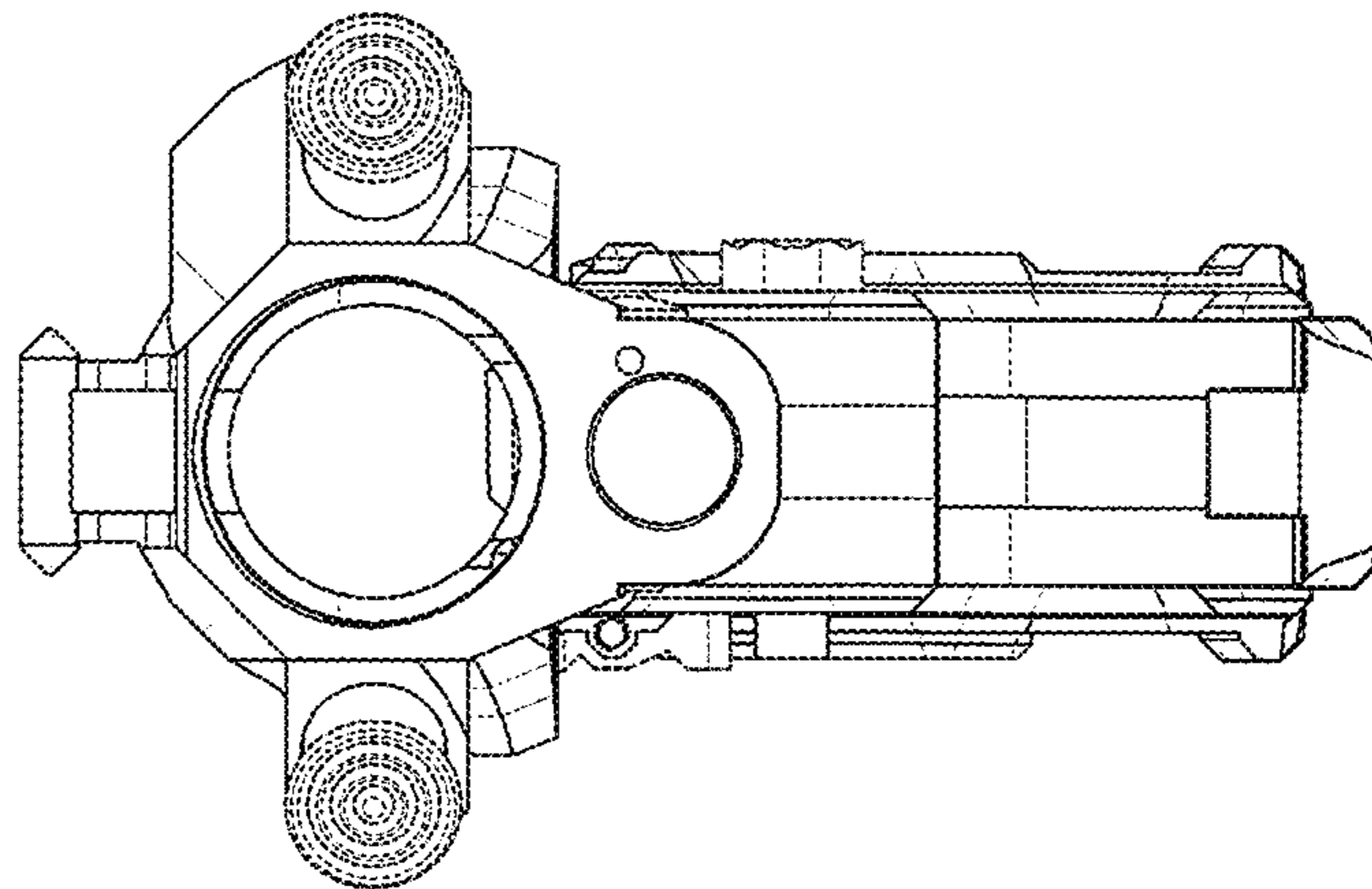


FIG. 7