



US00D795378S

(12) **United States Design Patent**  
**Huang**

(10) **Patent No.:** **US D795,378 S**

(45) **Date of Patent:** **\*\* Aug. 22, 2017**

(54) **RAIL MOUNT ON SCOPE TUBE AND RIFLE BARREL WITH FINGER HOOK**

(71) Applicant: **Qiming Huang**, Windsor (CA)

(72) Inventor: **Qiming Huang**, Windsor (CA)

(\*\*) Term: **15 Years**

(21) Appl. No.: **29/543,485**

(22) Filed: **Oct. 25, 2015**

(51) **LOC (10) Cl.** ..... **22-01**

(52) **U.S. Cl.**  
USPC ..... **D22/108**

(58) **Field of Classification Search**  
USPC ..... D22/108-109  
CPC . F41G 11/003; F41G 1/00; F41G 1/16; F41G 1/345  
See application file for complete search history.

D554,730	S *	11/2007	Coggins	.....	D22/110
8,136,284	B2	3/2012	Moody		
D694,845	S	12/2013	Satzinger		
8,733,011	B2 *	5/2014	Spuhr	.....	F41G 11/003 42/124
8,782,942	B1	7/2014	Bentley		
8,806,799	B1	8/2014	Gordon		
D713,921	S *	9/2014	Williams	.....	D22/109
D718,833	S	12/2014	Huang		
D732,632	S *	6/2015	Cheng	.....	D22/109
2016/0377853	A1 *	12/2016	Russ	.....	F41G 11/004 359/412

\* cited by examiner

*Primary Examiner* — Michael A Pratt

(57) **CLAIM**

The ornamental design for a rail mount on scope tube and rifle barrel with finger hook, as shown and described.

(56) **References Cited**

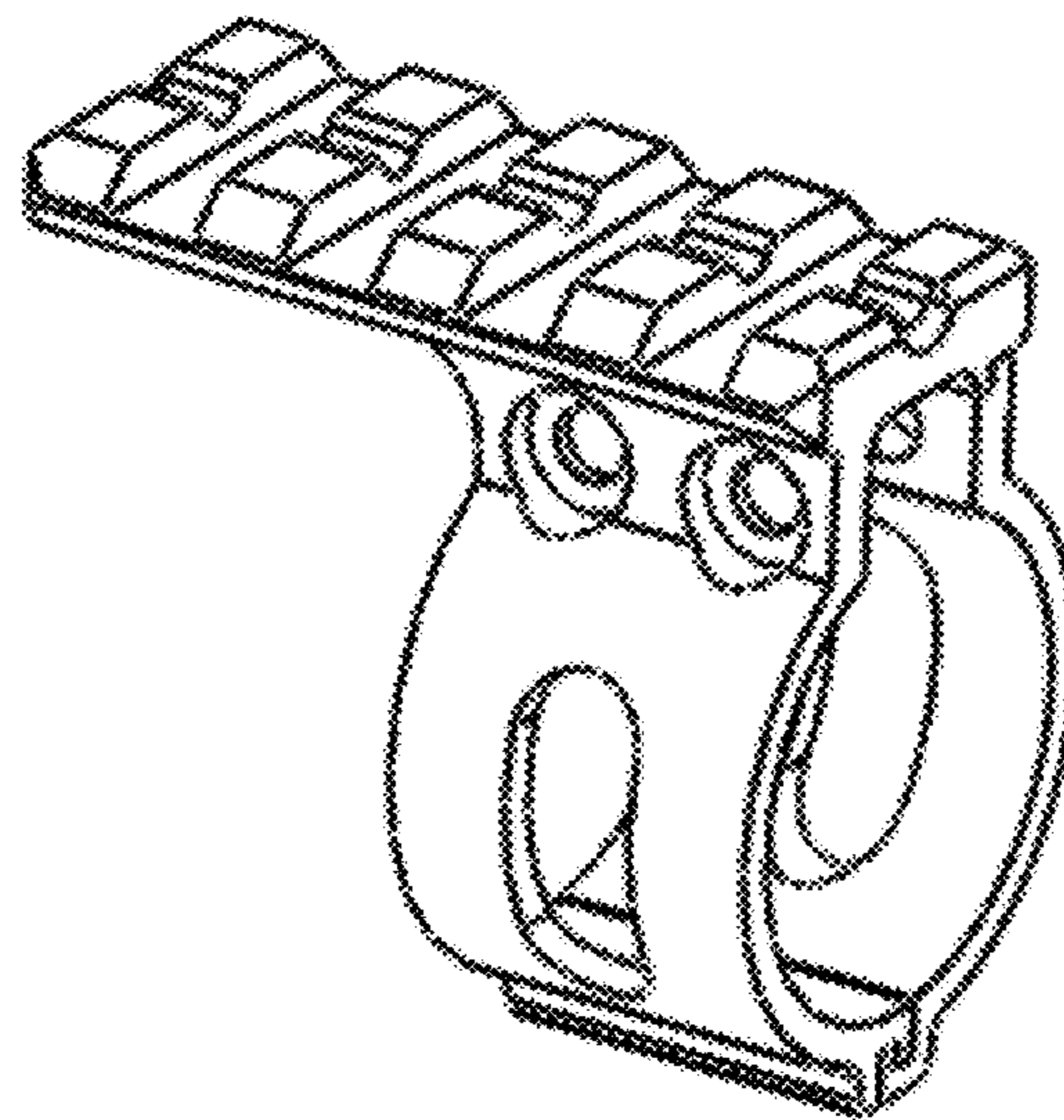
U.S. PATENT DOCUMENTS

2,073,210	A *	3/1937	Horsrud	.....	F41G 11/003 24/19
2,117,634	A *	5/1938	Smith	.....	F41G 11/002 42/126
D212,690	S *	11/1968	Kuharsky	.....	D22/110
D239,114	S *	3/1976	Kraai	.....	D22/109
D246,983	S *	1/1978	Bechtel	.....	D22/110
5,033,219	A *	7/1991	Johnson	.....	F41G 11/003 362/289
D383,826	S *	9/1997	Weigand	.....	D22/109

**DESCRIPTION**

FIG. 1 is a top isometric perspective view of a “rail mount on scope tube and rifle barrel with finger hook”  
FIG. 2 is a front view of FIG. 1  
FIG. 3 is a rear view of FIG. 1  
FIG. 4 is a left view of FIG. 1  
FIG. 5 is a right view of FIG. 1  
FIG. 6 is a top view of FIG. 1; and,  
FIG. 7 is a bottom view of FIG. 1.

**1 Claim, 7 Drawing Sheets**



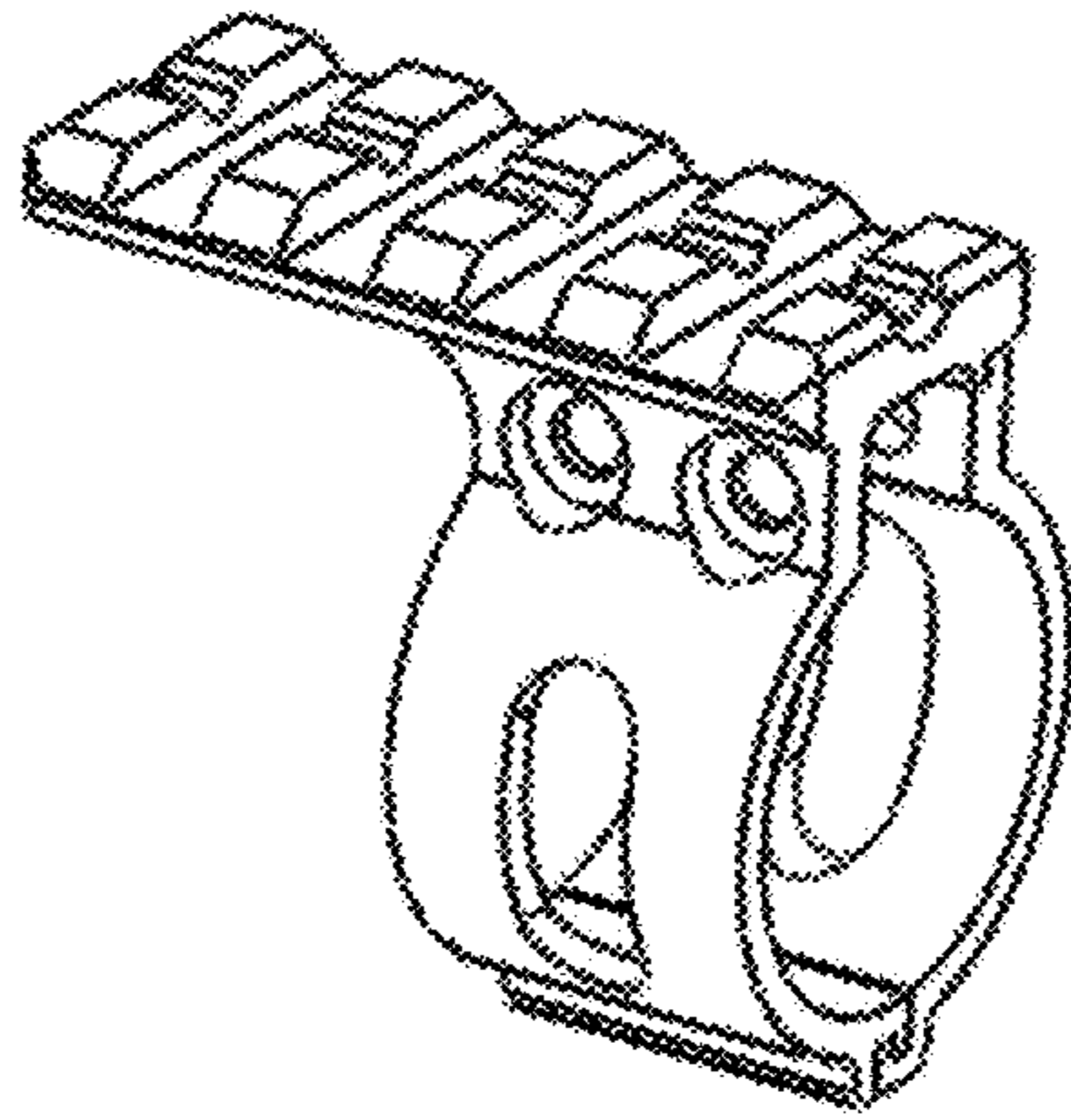


Fig. 1

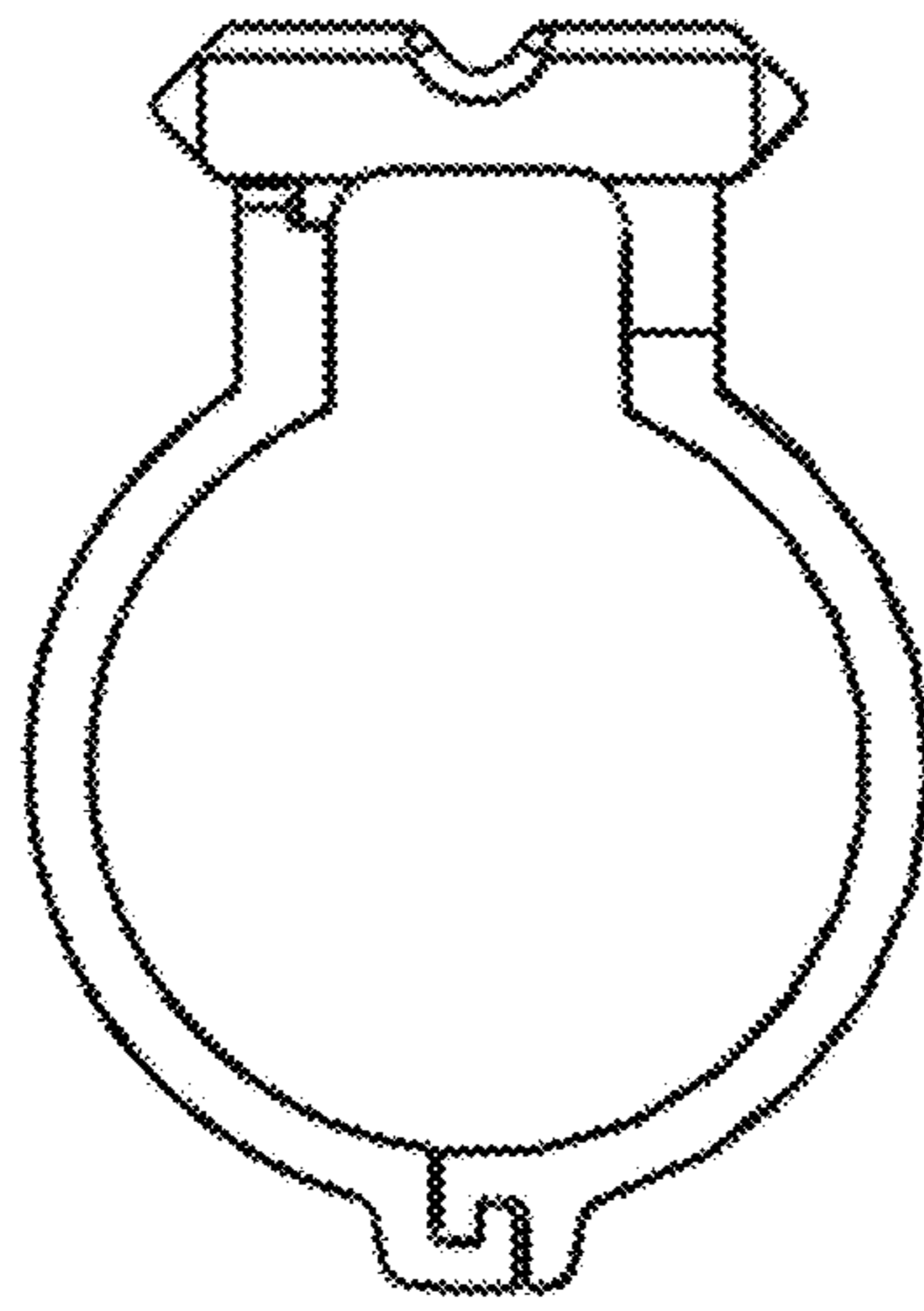


Fig. 2

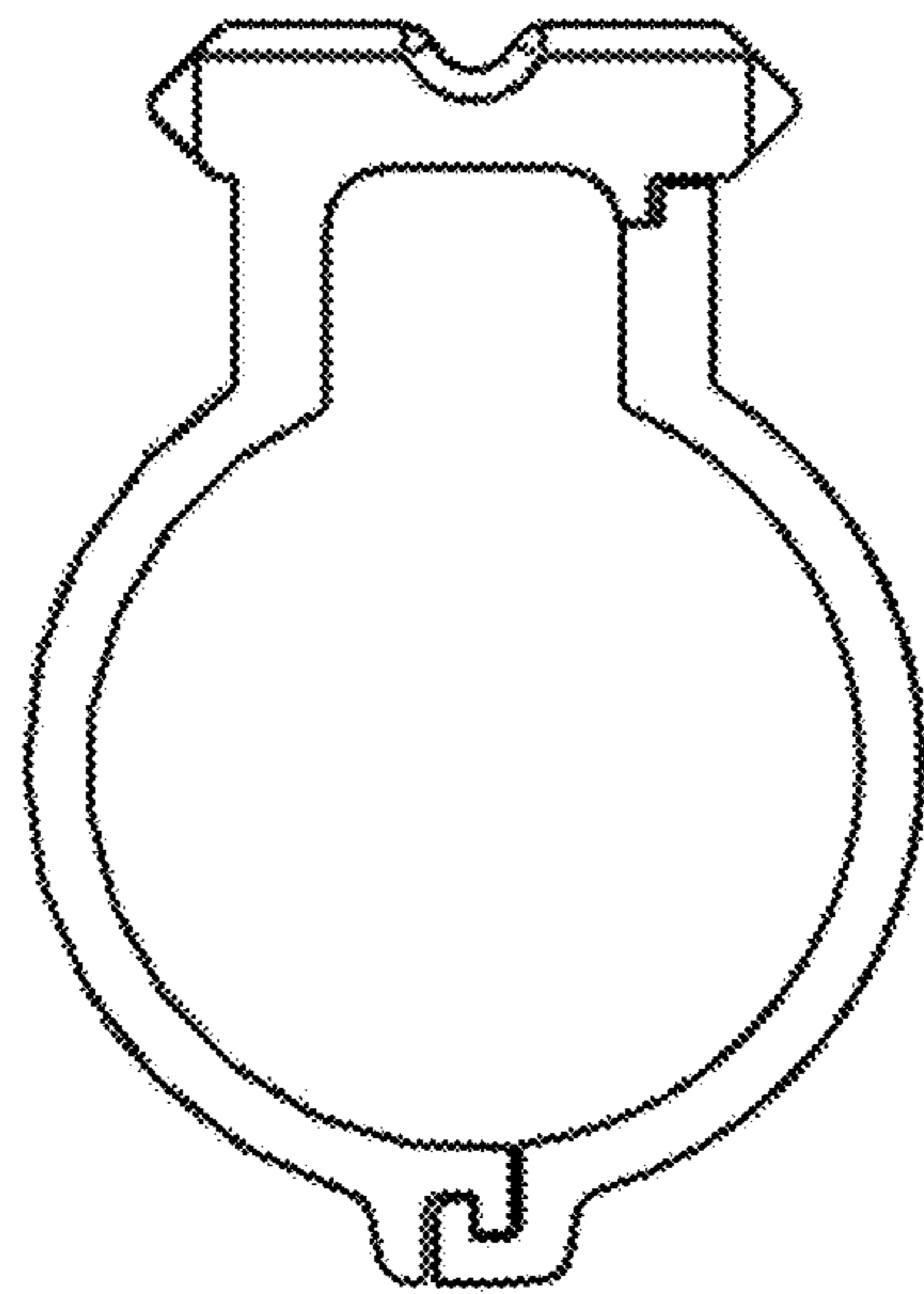


Fig. 3

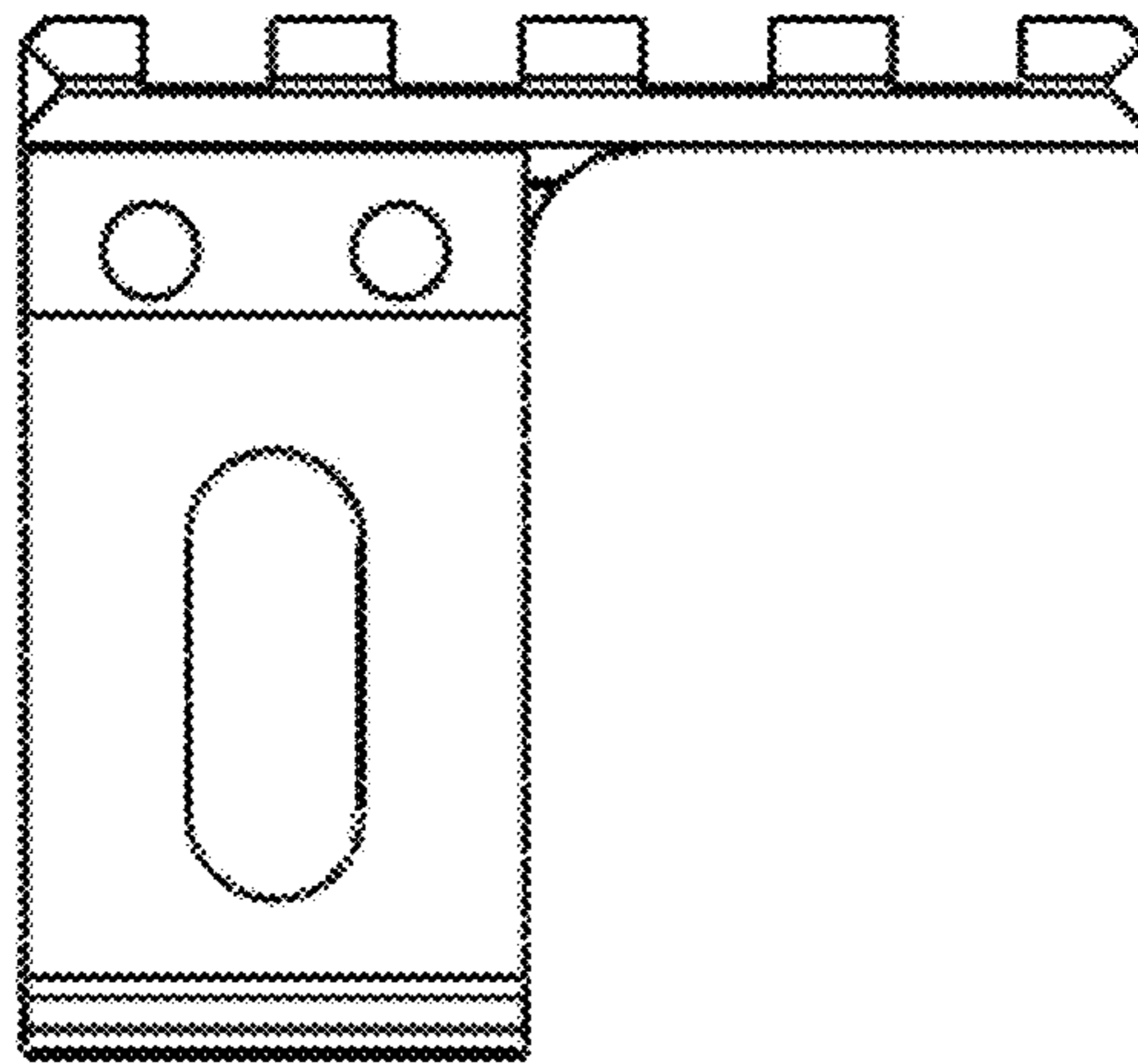


Fig. 4

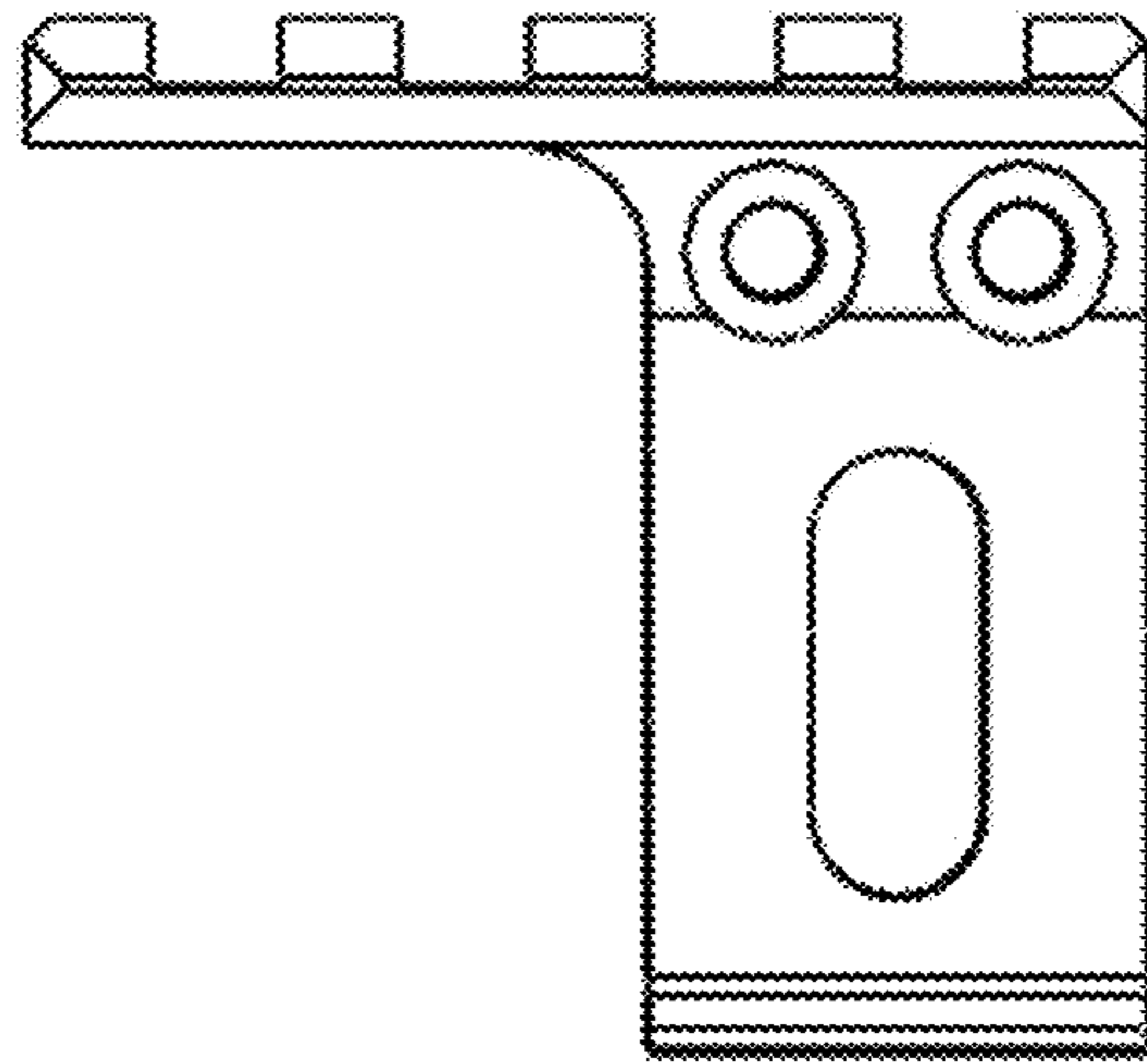


Fig. 5

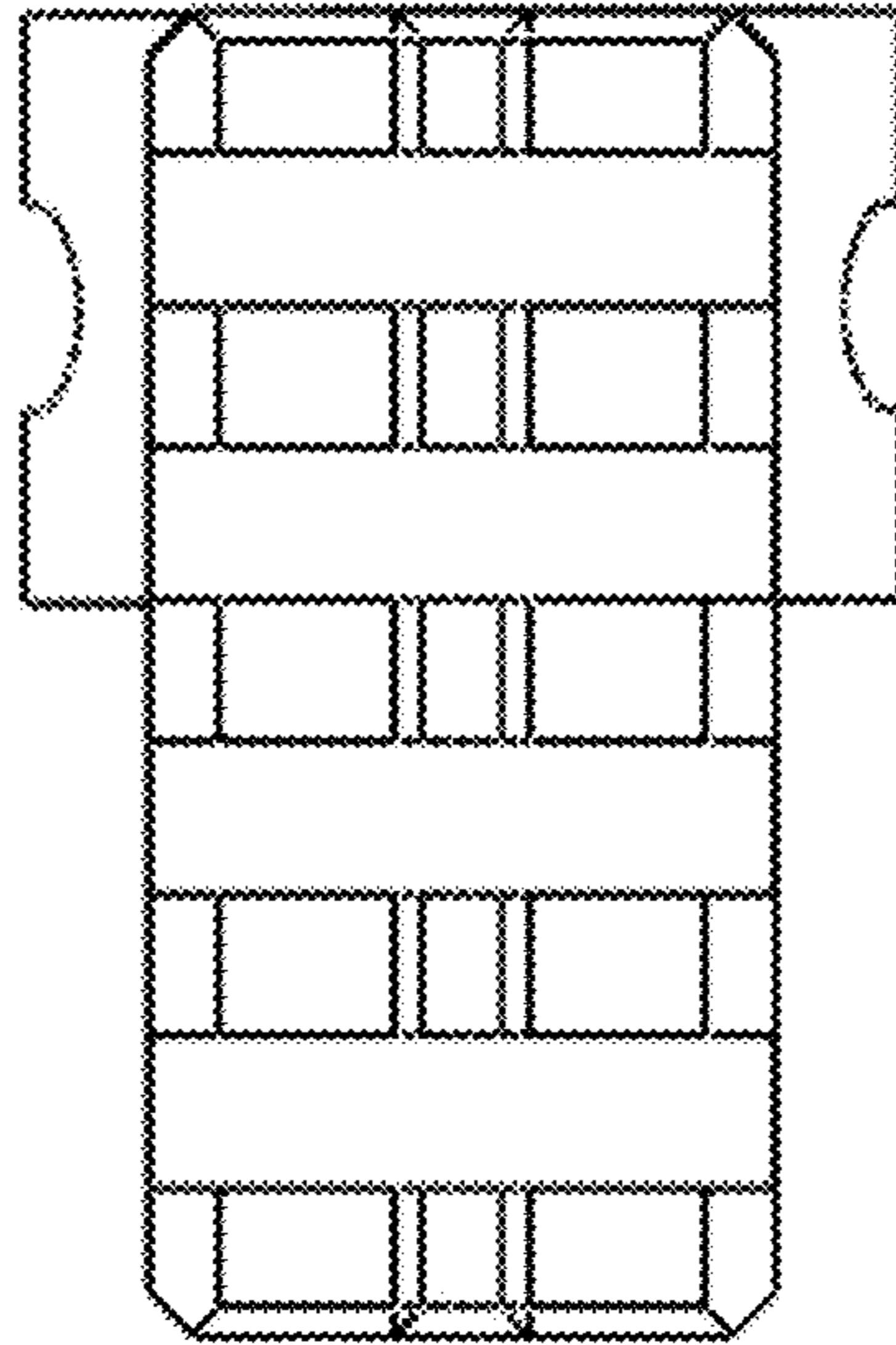


Fig. 6

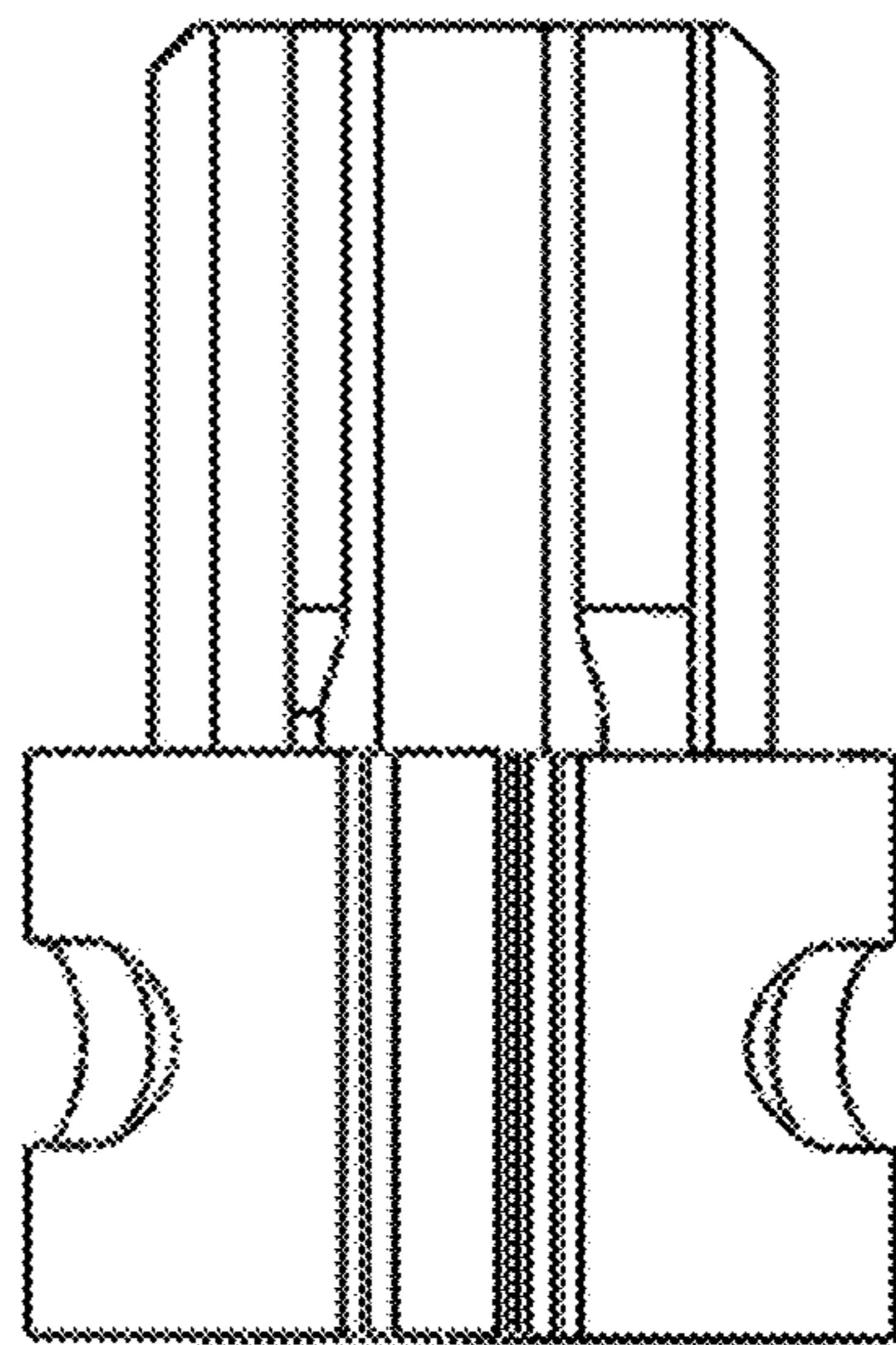


Fig. 7