



US00D795375S

(12) **United States Design Patent**  
**Xingrui**

(10) **Patent No.:** **US D795,375 S**

(45) **Date of Patent:** **\*\* Aug. 22, 2017**

(54) **SCOOTER WHEEL**

(71) Applicant: **ZAKE IP HOLDINGS, LLC**, South Bend, IN (US)

(72) Inventor: **Li Xingrui**, Shenzhen (CN)

(73) Assignee: **Swagway, LLC**, South Bend, IN (US)

(\*\*) Term: **15 Years**

(21) Appl. No.: **29/561,363**

(22) Filed: **Apr. 15, 2016**

(51) **LOC (10) Cl.** ..... **21-02**

(52) **U.S. Cl.**  
USPC ..... **D21/779**; D21/423

(58) **Field of Classification Search**  
USPC ..... D21/419, 421, 423, 426-428, 435, 563,  
D21/668-671, 760, 765, 771, 779  
CPC . B62K 3/002; B62K 9/00; B62K 9/02; B62K  
13/00; B62K 2202/00  
See application file for complete search history.

(56) **References Cited**

**U.S. PATENT DOCUMENTS**

D301,157 S \* 5/1989 Hess ..... D21/423  
D433,088 S \* 10/2000 Galy ..... D21/779

D434,464 S \* 11/2000 Lin ..... D21/779  
D446,258 S \* 8/2001 Wang ..... D21/423  
D448,826 S \* 10/2001 Galy ..... D21/779  
D480,436 S \* 10/2003 Hong ..... D21/423  
D693,885 S \* 11/2013 Ouboter ..... D21/423  
D721,151 S \* 1/2015 Piper ..... D21/779  
D728,033 S \* 4/2015 O'connell ..... D21/423  
D738,435 S \* 9/2015 O'Connell ..... D21/423  
D772,990 S \* 11/2016 Allais ..... D21/423  
D777,844 S \* 1/2017 O Connell ..... D21/423  
2014/0312588 A1 \* 10/2014 Davis ..... B60B 30/00  
280/87.041

\* cited by examiner

*Primary Examiner* — Cynthia M Chin

(74) *Attorney, Agent, or Firm* — Botkin & Hall, LLP

(57) **CLAIM**

The ornamental design for a scooter wheel, as shown and described.

**DESCRIPTION**

FIG. 1 is a perspective view of the scooter wheel;  
FIG. 2 is a front view of the scooter wheel of FIG. 1;  
FIG. 3 is a top view of the scooter wheel of FIG. 1;  
FIG. 4 is a back view of the scooter wheel of FIG. 1;  
FIG. 5 is a bottom view of the scooter wheel of FIG. 1; and,  
FIG. 6 is a right view of the scooter wheel of FIG. 1, the left view being a mirror image thereof.

**1 Claim, 4 Drawing Sheets**

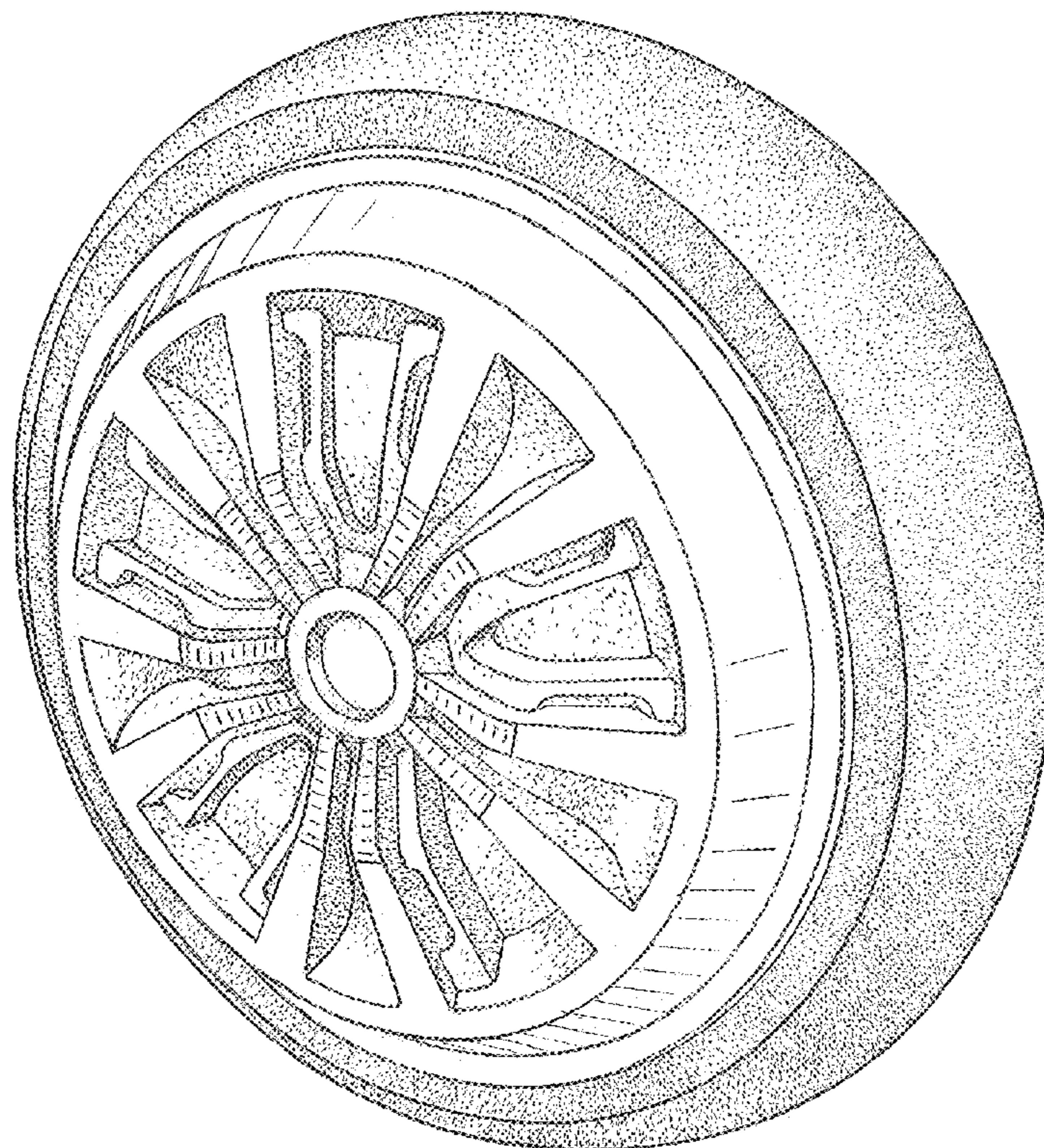


FIG. 1

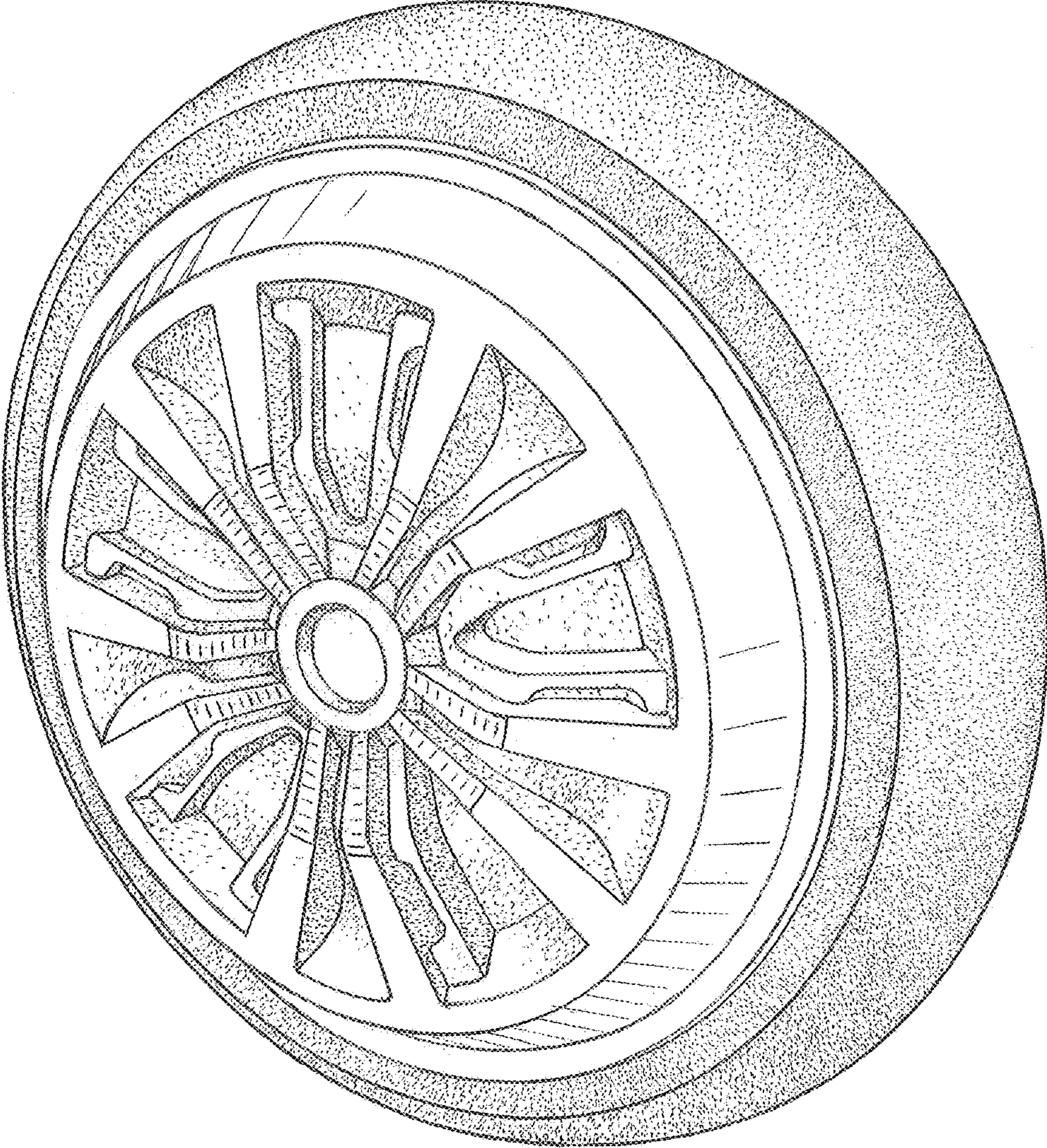


FIG. 2

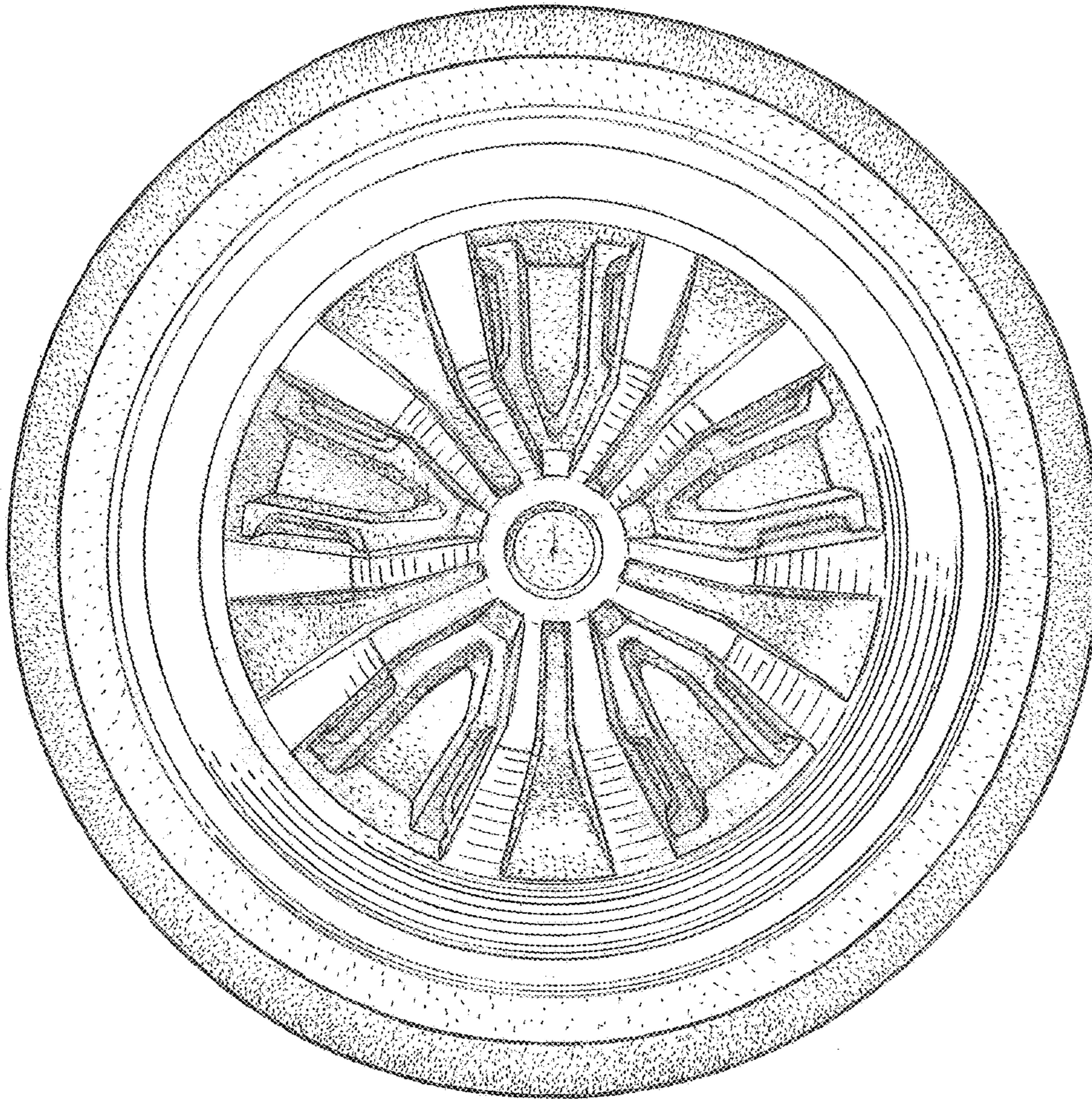


FIG. 3

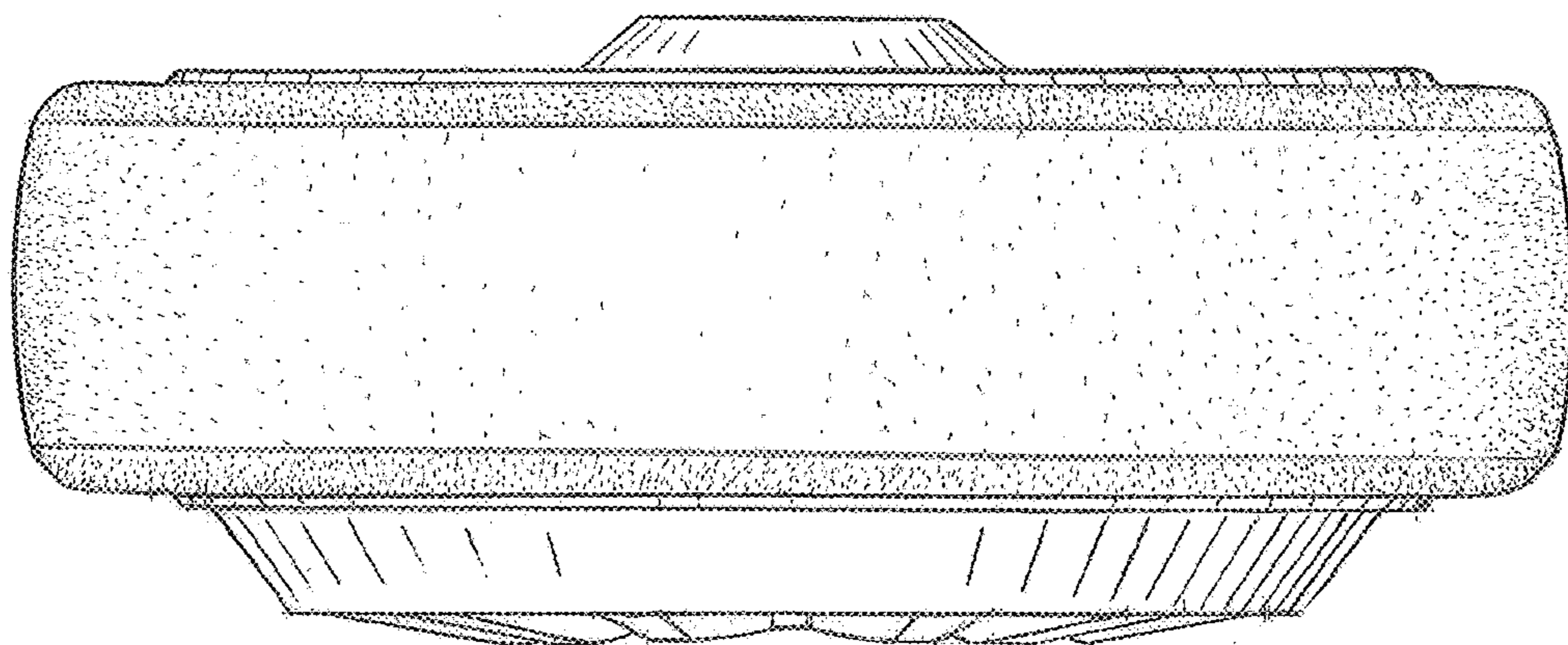


FIG.4

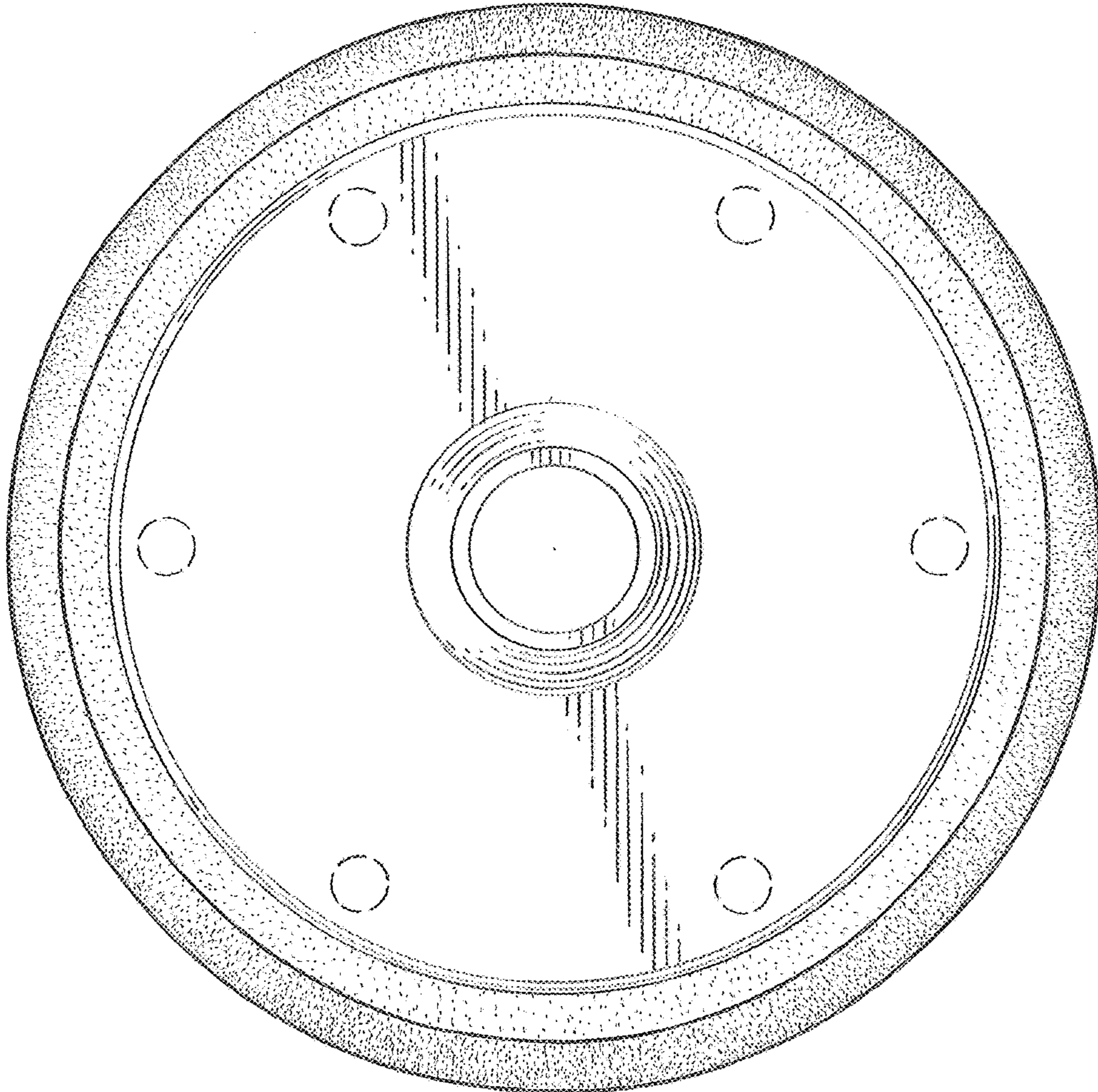


FIG.5

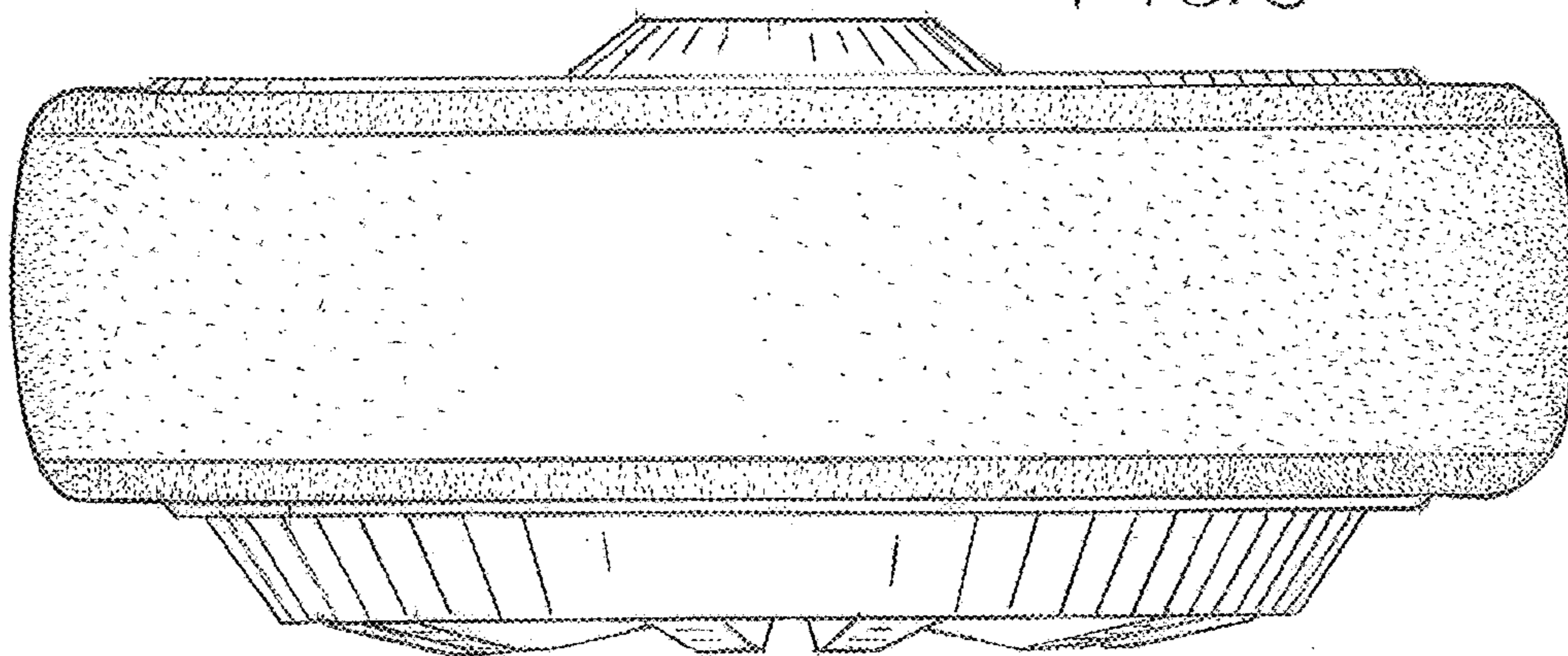


FIG.6

