

US00D795374S

(12) **United States Design Patent** (10) **Patent No.:** **US D795,374 S**
Bigler (45) **Date of Patent:** **** Aug. 22, 2017**

(54) **PITCH-PROPELLED VEHICLE**
(71) Applicant: **Equalia LLC**, Mountain View, CA (US)
(72) Inventor: **Robert A. Bigler**, Cupertino, CA (US)
(73) Assignee: **Equalia LLC**, Mountain View, CA (US)

4,073,356 A 2/1978 Schlicht
4,106,786 A 8/1978 Talbott
4,795,181 A 1/1989 Armstrong
4,824,139 A 4/1989 Robbins
4,991,066 A 2/1991 McCowan
D355,945 S 2/1995 Homma
5,701,965 A 12/1997 Kamen et al.
5,769,438 A 6/1998 Svetlov

(Continued)

(**) Term: **15 Years**
(21) Appl. No.: **29/555,954**
(22) Filed: **Feb. 25, 2016**

FOREIGN PATENT DOCUMENTS

CN 303804687 S 8/2016
DE 2648202 A 4/1978
WO 2012113011 A1 8/2012

OTHER PUBLICATIONS

<https://web.archive.org/web/20120918062826/http://www.instructables.com/id/Skateboard-with-PIC-microcontroller-and-LEDs/>.

(Continued)

Related U.S. Application Data

(63) Continuation of application No. 14/936,572, filed on Nov. 9, 2015, which is a continuation of application No. 14/058,937, filed on Oct. 21, 2013, now Pat. No. 9,211,470.

(51) **LOC (10) Cl.** **21-02**
(52) **U.S. Cl.**
USPC **D21/765; D21/763**

(58) **Field of Classification Search**
USPC D21/419, 421, 423, 426, 662, 760, 765, D21/766, 769, 771, 776, 803; D12/1; 280/7.14, 11.115, 11.19, 11.27, 11.28, 280/14.21, 79.11, 79.2, 87.01, 87.021, 280/87.03, 87.041, 87.042, 607, 608, 609, 280/809; 180/180, 181; 434/247, 253, 434/258; D34/23, 28
CPC A63C 17/01; A63C 17/011; A63C 17/012; A63C 17/014; A63C 17/015; A63C 17/02; A63C 17/26; A63C 5/003; B60Q 1/326; B62K 3/001
See application file for complete search history.

Primary Examiner — Cynthia M Chin
(74) *Attorney, Agent, or Firm* — Haverstock & Owens LLP

(57) **CLAIM**

I claim the ornamental design for a pitch-propelled vehicle, as shown and described.

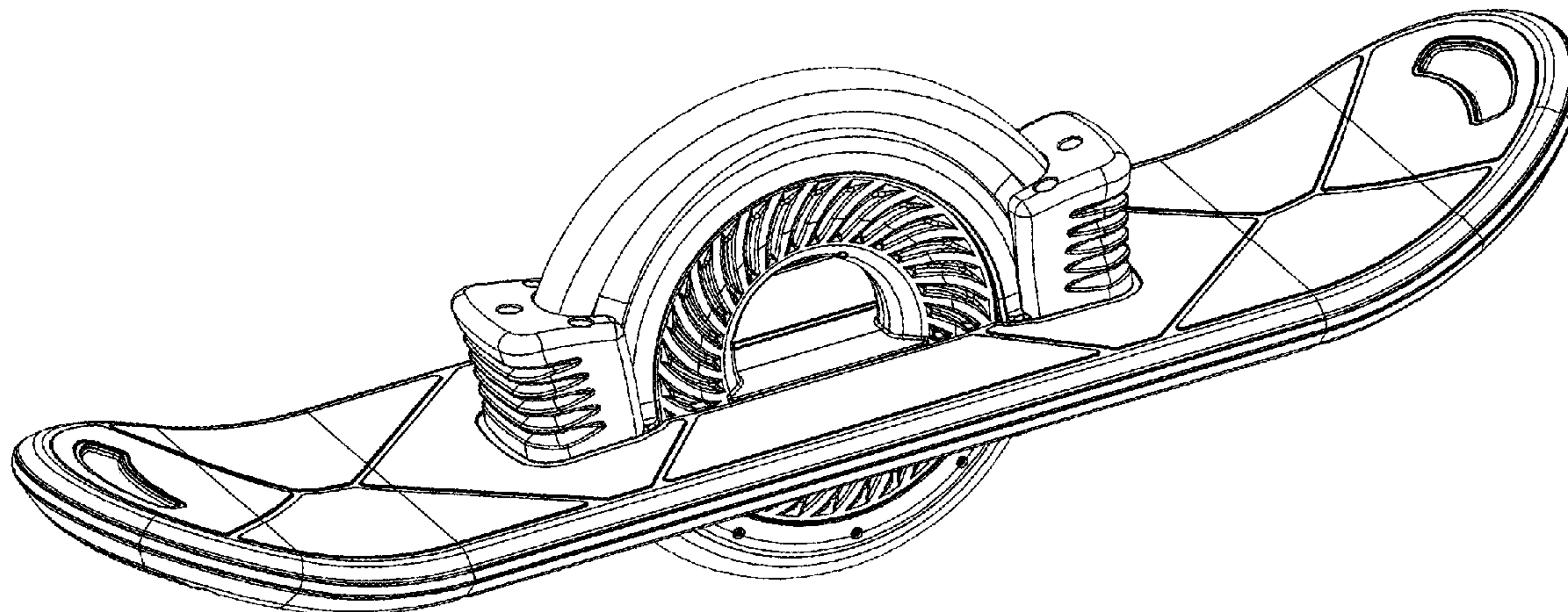
DESCRIPTION

FIG. 1 illustrates a top perspective view of a pitch propelled vehicle.
FIG. 2 illustrates a bottom perspective view of a pitch propelled vehicle.
FIG. 3 illustrates a side view of a pitch propelled vehicle.
FIG. 4 illustrates a top view of a pitch propelled vehicle; and,
FIG. 5 illustrates a bottom view of a pitch propelled vehicle. The broken lines in FIGS. 2 & 5 depict portions of the vehicle which form no part of the claimed design.

(56) **References Cited**
U.S. PATENT DOCUMENTS

3,512,798 A 5/1970 Siegel
3,583,722 A 6/1971 Jacobson

1 Claim, 5 Drawing Sheets



(56)

References Cited

U.S. PATENT DOCUMENTS

5,791,425 A 8/1998 Kamen et al.
 5,839,737 A 11/1998 Kruczek
 5,971,091 A 10/1999 Kamen et al.
 6,017,297 A 1/2000 Collins
 6,050,357 A 4/2000 Staelin et al.
 6,131,931 A 10/2000 Globerson et al.
 6,288,505 B1 9/2001 Heinzmann et al.
 6,302,230 B1 10/2001 Kamen et al.
 6,311,795 B1 11/2001 Skotnikov et al.
 6,367,817 B1 4/2002 Kamen et al.
 6,408,240 B1 6/2002 Morrell et al.
 6,543,564 B1 4/2003 Kamen et al.
 6,581,714 B1 6/2003 Kamen et al.
 6,651,763 B1 11/2003 Kamen et al.
 6,651,766 B2 11/2003 Kamen et al.
 6,789,640 B1 9/2004 Arling et al.
 6,796,394 B1 9/2004 Lin
 6,796,396 B2 9/2004 Kamen et al.
 6,802,636 B1 10/2004 Bailey, Jr.
 6,827,163 B2 12/2004 Amsbury et al.
 6,848,527 B2 2/2005 Nelson
 6,866,107 B2 3/2005 Heinzmann et al.
 6,874,591 B2 4/2005 Morrell et al.
 D505,468 S 5/2005 Mejia
 D505,469 S 5/2005 Joung et al.
 D505,470 S 5/2005 Hong
 7,053,288 B2 5/2006 Iwai et al.
 7,172,044 B2 2/2007 Bouvet
 7,370,713 B1 5/2008 Kamen
 D580,132 S 11/2008 Lin
 7,467,681 B2 12/2008 Hiramatsu
 7,479,097 B2 1/2009 Rosborough et al.
 7,481,291 B2 1/2009 Nishikawa
 7,708,289 B2 5/2010 Jaime, Sr.
 7,739,076 B1 6/2010 Vock et al.
 7,811,217 B2 10/2010 Odien
 7,840,378 B2 11/2010 Vock et al.
 7,866,429 B2 1/2011 Ishii et al.
 D633,584 S 3/2011 Hong
 7,976,034 B1 7/2011 Hong et al.
 D647,991 S 11/2011 Sramek
 8,170,780 B2 5/2012 Field et al.
 8,256,545 B2 9/2012 Oikawa
 8,459,670 B1 6/2013 Tizzone
 8,467,941 B2 6/2013 Field et al.
 8,469,376 B2 6/2013 Kristiansen
 8,562,386 B2 10/2013 Carlson et al.
 8,616,313 B2 12/2013 Simeray et al.
 D704,786 S 5/2014 Tang
 8,731,865 B2 5/2014 Vock et al.
 D709,154 S 7/2014 Brotherson
 8,827,286 B2 9/2014 Woncik
 8,830,048 B2 9/2014 Kamen et al.
 8,910,959 B2 12/2014 Alva
 9,101,817 B2* 8/2015 Doerksen A63C 17/12
 9,211,470 B2 12/2015 Bigler
 9,216,764 B2 12/2015 Ito et al.
 D746,928 S* 1/2016 Doerksen D21/765
 9,376,155 B2 6/2016 Ying et al.
 9,400,502 B2 7/2016 Kamen et al.
 9,400,505 B2 7/2016 Doerksen
 9,452,345 B2 9/2016 Doerksen et al.
 D768,252 S 10/2016 Bigler
 D769,997 S 10/2016 Doerksen
 9,477,228 B2 10/2016 Field et al.

2001/0032743 A1 10/2001 Kamen et al.
 2003/0155167 A1 8/2003 Kamen et al.
 2004/0005958 A1 1/2004 Kamen et al.
 2004/0007399 A1 1/2004 Heinzmann et al.
 2004/0065494 A1 4/2004 Nelson
 2005/0055795 A1 3/2005 Zeiler et al.
 2005/0092533 A1 5/2005 Ishii
 2005/0121238 A1 6/2005 Ishii
 2005/0121866 A1 6/2005 Kamen et al.
 2005/0241864 A1 11/2005 Hiramatsu
 2005/0242538 A1 11/2005 Hiramatsu
 2006/0012141 A1 1/2006 Bouvet
 2006/0097683 A1 5/2006 Hosoda et al.
 2006/0231313 A1 10/2006 Ishii
 2006/0260862 A1 11/2006 Nishikawa
 2007/0194558 A1 8/2007 Stone et al.
 2007/0254789 A1* 11/2007 Odien A63B 21/0058
 482/146
 2007/0273118 A1 11/2007 Conrad
 2007/0296170 A1 12/2007 Field et al.
 2010/0033315 A1 2/2010 Kamen et al.
 2010/0038163 A1 2/2010 Oikawa
 2010/0114468 A1 5/2010 Field et al.
 2010/0305840 A1 12/2010 Doi
 2010/0330876 A1* 12/2010 Carlson A63H 29/20
 446/462
 2011/0006497 A1 1/2011 Chen et al.
 2011/0295454 A1 12/2011 Meyers
 2011/0309772 A1 12/2011 Forgey
 2012/0007331 A1 1/2012 Hsieh
 2012/0068427 A1 3/2012 Alva
 2012/0098432 A1 4/2012 Recker et al.
 2012/0187648 A1 7/2012 Chen
 2012/0256386 A1 10/2012 Benarrouch
 2013/0049317 A1 2/2013 Cheek
 2013/0175943 A1 7/2013 Tackett
 2013/0329439 A1 12/2013 Hellkamp
 2014/0058600 A1 2/2014 Hoffmann et al.
 2014/0236426 A1 8/2014 Kosaka et al.
 2014/0326525 A1 11/2014 Doerksen
 2015/0046002 A1 2/2015 Shih et al.
 2015/0066276 A1 3/2015 Nakashima et al.
 2015/0107922 A1 4/2015 Bigler
 2015/0151807 A1 6/2015 Kamen et al.
 2015/0234384 A1 8/2015 Taira et al.
 2015/0323935 A1 11/2015 Doerksen
 2016/0059860 A1 3/2016 Kondo
 2016/0121198 A1 5/2016 Doerksen et al.
 2016/0129963 A1 5/2016 Ying et al.
 2016/0136508 A1 5/2016 Bigler
 2016/0291599 A1 10/2016 Doerksen
 2016/0296827 A1 10/2016 Doerksen

OTHER PUBLICATIONS

Doerksen, Kyle Jonathan, "Self-Stabilizing Skateboard" U.S. Appl. No. 61/820,043, filed May 6, 2013 and Filing Receipt dated Jun. 10, 2013, Confirmation No. 1078.
 Decision of Registration from Japanese Design Application No. 2016-017957.
 Examination Notification from Taiwanese Patent Application No. 105304627.
 Extended European Search Report from European Application No. 14856497.4.
 International Search Report from PCT Application PCT/US17/14674.

* cited by examiner

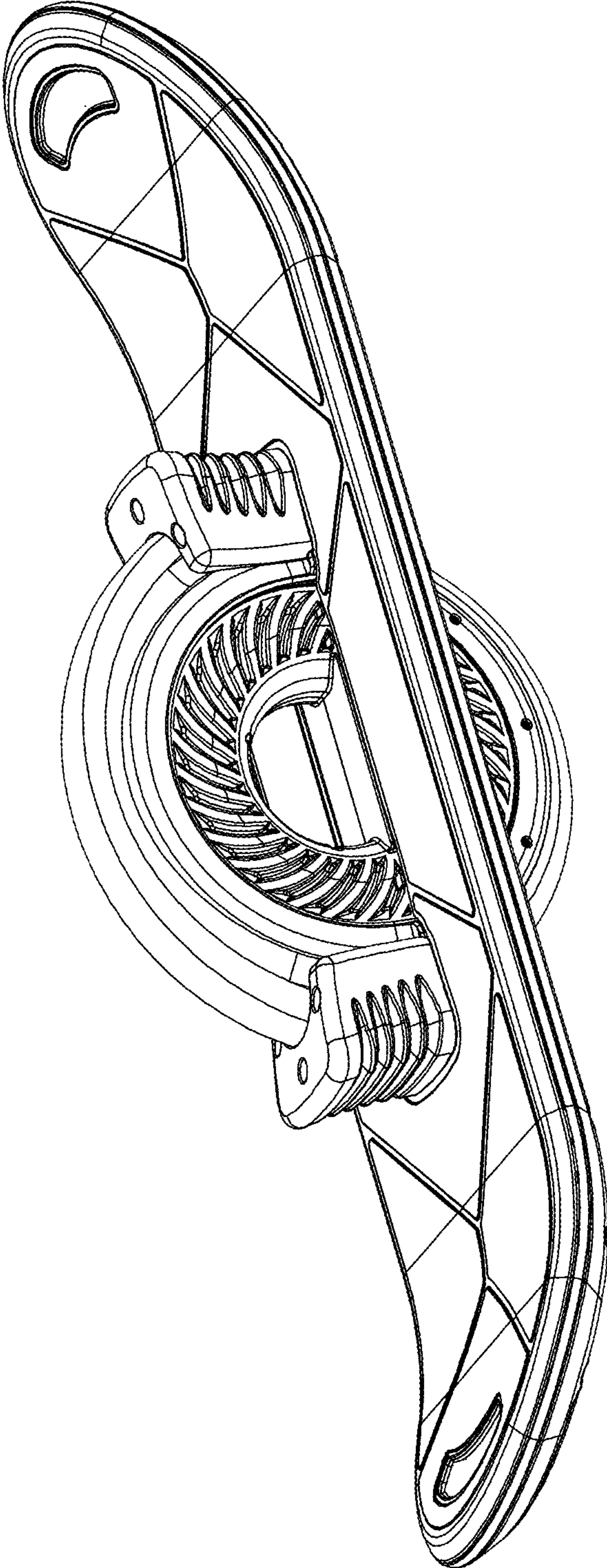


Fig. 1

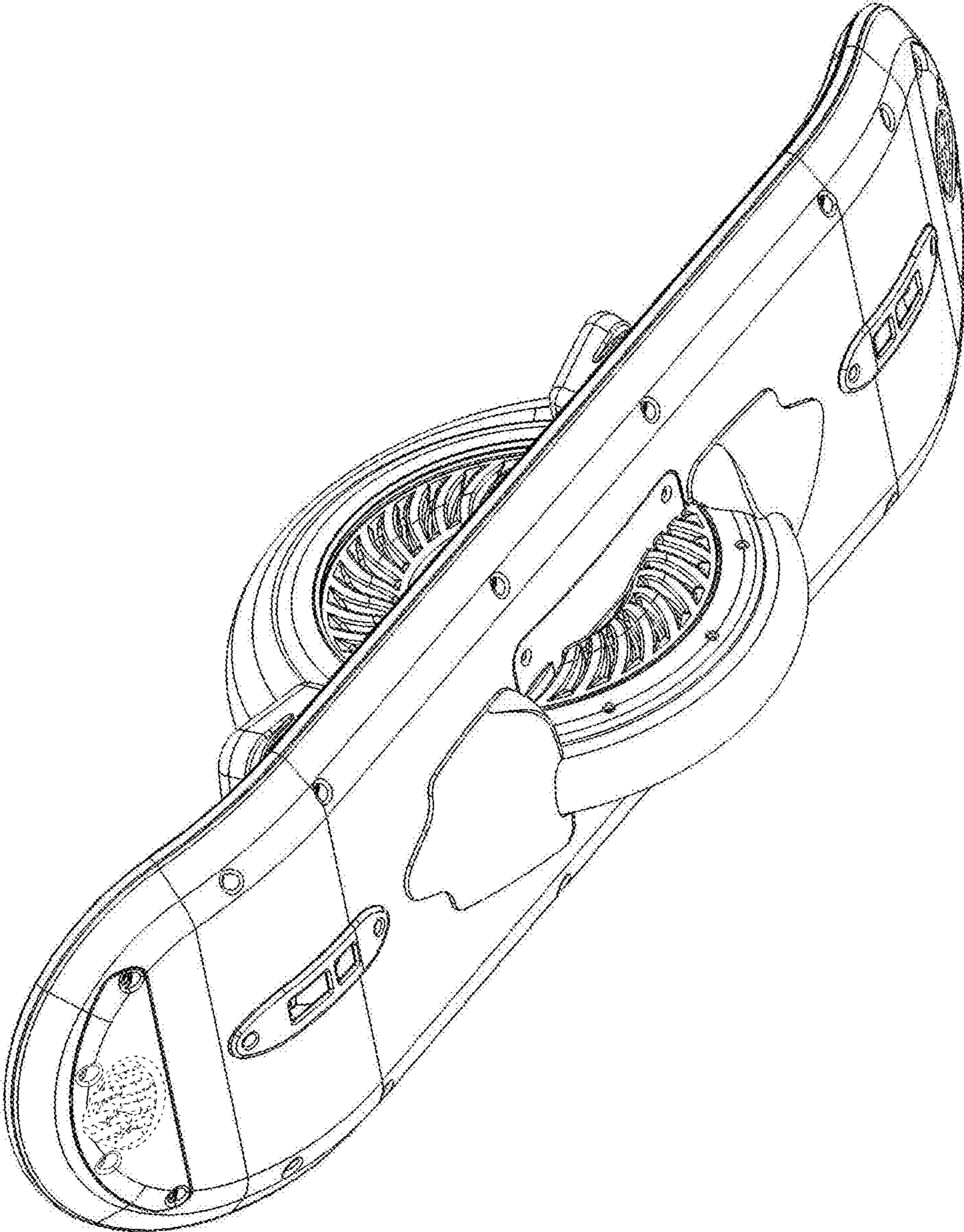


Fig. 2

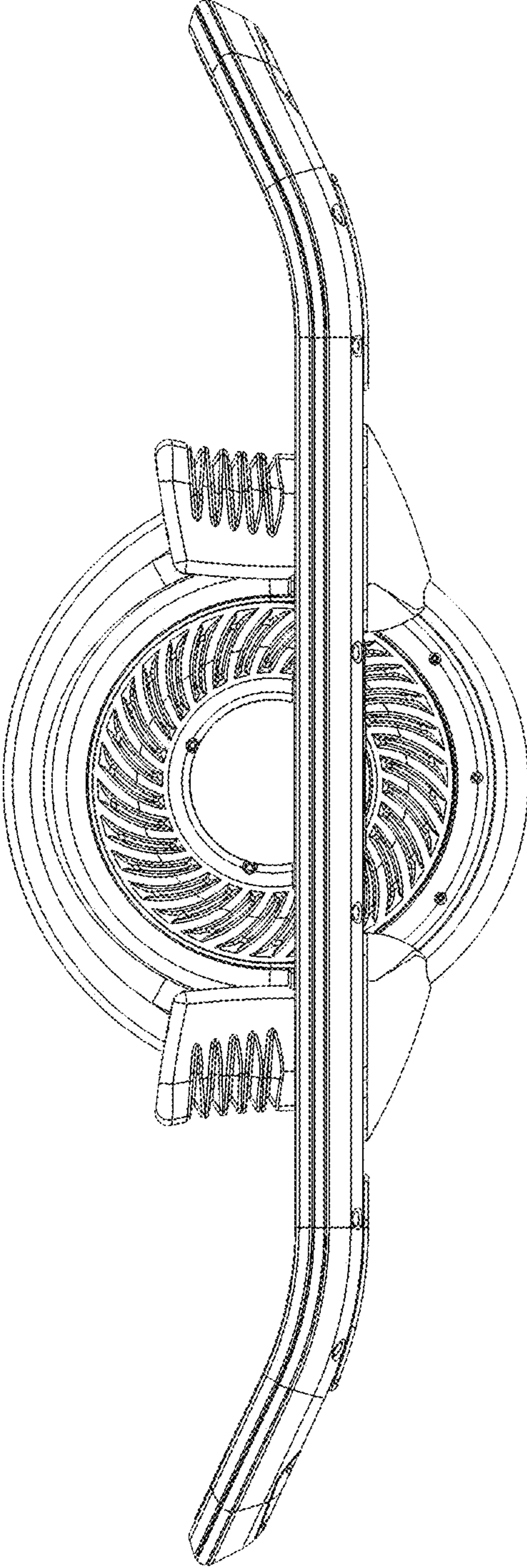


Fig. 3

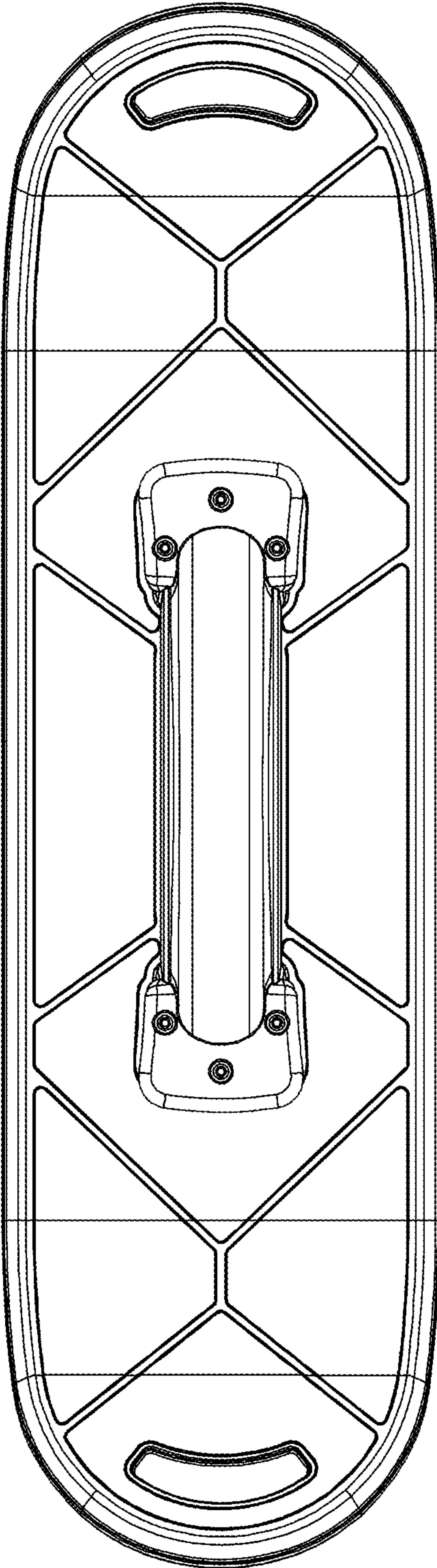


Fig. 4

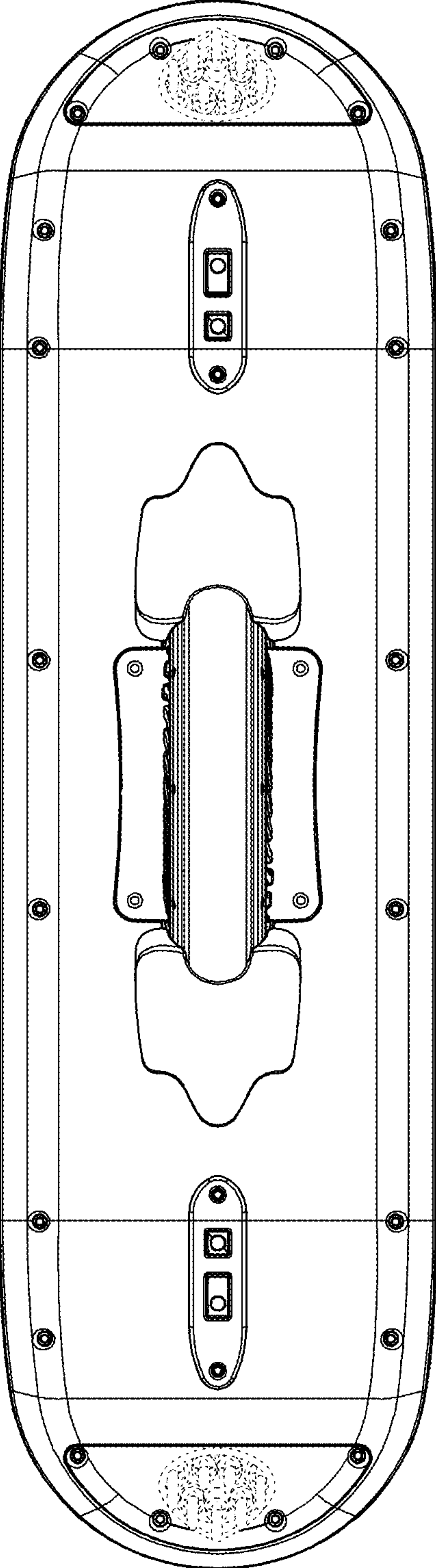


Fig. 5