



US00D795373S

(12) **United States Design Patent**
Tang

(10) **Patent No.:** **US D795,373 S**

(45) **Date of Patent:** **** Aug. 22, 2017**

(54) **GOLF CLUB HEAD**

(71) Applicant: **CALLAWAY GOLF COMPANY,**
Carlsbad, CA (US)

(72) Inventor: **Larry Tang,** Carlsbad, CA (US)

(73) Assignee: **Callaway Golf Company,** Carlsbad,
CA (US)

(**) Term: **15 Years**

(21) Appl. No.: **29/568,330**

(22) Filed: **Jun. 16, 2016**

(51) **LOC (10) Cl.** **21-02**

(52) **U.S. Cl.**
USPC **D21/759**

(58) **Field of Classification Search**
USPC D21/747-751, 759
CPC A63B 53/00; A63B 53/04; A63B 53/047;
A63B 53/0475; A63B 2053/0479; A63B
2053/0483; A63B 2053/0445
See application file for complete search history.

(56) **References Cited**

U.S. PATENT DOCUMENTS

D496,419 S	*	9/2004	Lang	D21/747
D498,277 S	*	11/2004	Lang	D21/747
D501,035 S	*	1/2005	Wahl	D21/747
D507,816 S	*	7/2005	Lang	D21/759
D512,757 S	*	12/2005	Cleveland	D21/747
D533,245 S	*	12/2006	Cleveland	D21/747
D537,894 S	*	3/2007	Cleveland	D21/747

D556,278 S	*	11/2007	Mahaffey	D21/747
D563,497 S	*	3/2008	Mahaffey	D21/747
D593,627 S	*	6/2009	Kim	D21/747
D620,063 S	*	7/2010	Llewellyn	D21/759
D643,081 S	*	8/2011	Roach	D21/759
D652,093 S	*	1/2012	Foster	D21/747
D663,369 S	*	7/2012	Foster	D21/749
D691,685 S	*	10/2013	Cyrulik	D21/759
D704,290 S	*	5/2014	Cardani	D21/759
D707,772 S	*	6/2014	Oldknow	D21/759
D762,794 S	*	8/2016	Wieland	D21/759
D776,772 S	*	1/2017	Foster	D21/759
D786,990 S	*	5/2017	Tang	D21/759

* cited by examiner

Primary Examiner — Mitchell Siegel

(74) *Attorney, Agent, or Firm* — Rebecca Hanovice;
Michael Catania; Sonia Lari

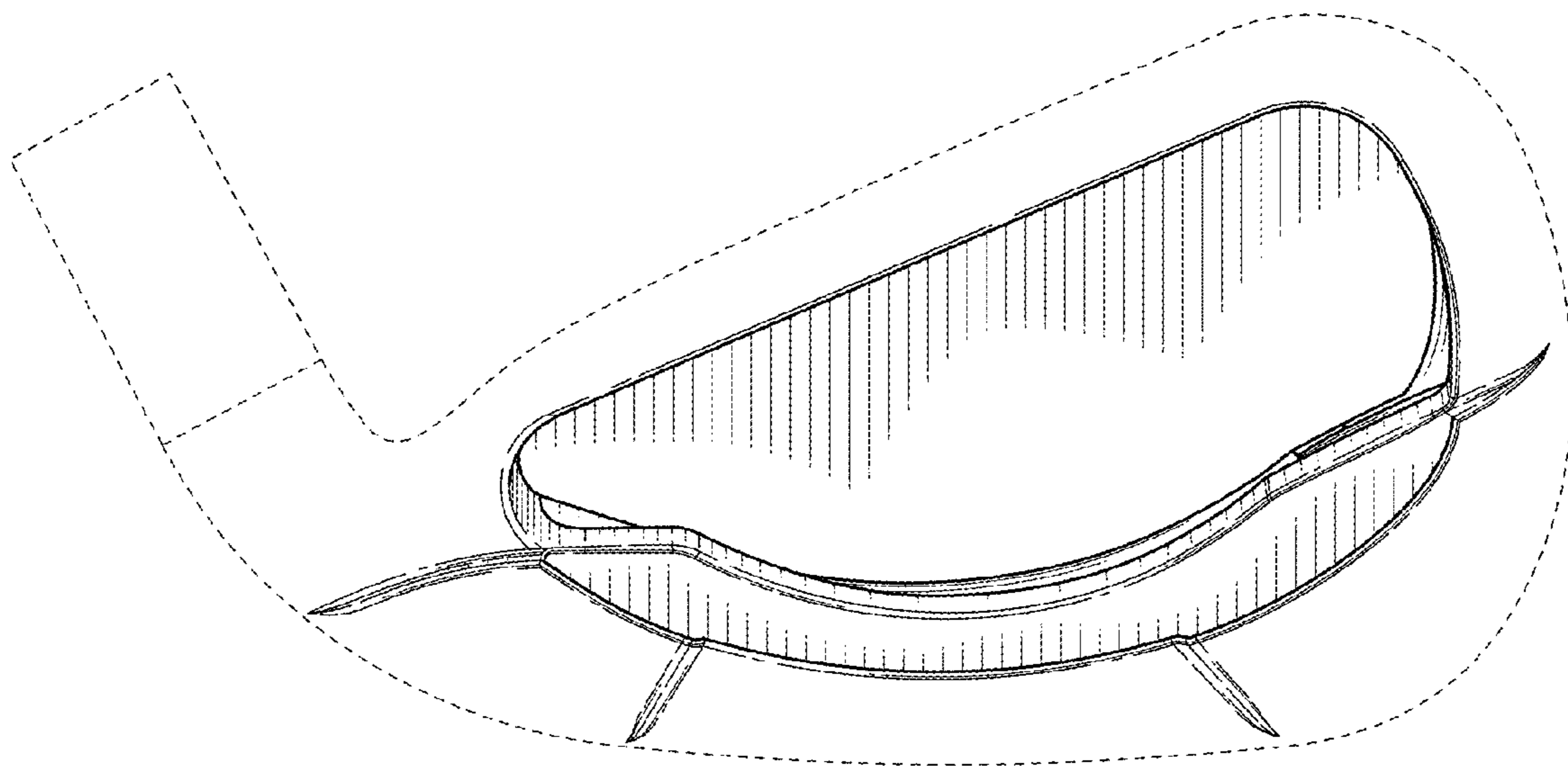
(57) **CLAIM**

The ornamental design for a golf club head, as shown and described.

DESCRIPTION

FIG. 1 is a rear perspective view of a first embodiment of the golf club head as claimed herein;
FIG. 2 is a front elevational view thereof;
FIG. 3 is a rear elevational view thereof;
FIG. 4 is a left side elevational view thereof;
FIG. 5 is a right side elevational view thereof;
FIG. 6 is a top plan view thereof; and,
FIG. 7 is a bottom plan view thereof.
The broken lines are included for the purpose of illustration and form no part of the claimed design.

1 Claim, 3 Drawing Sheets



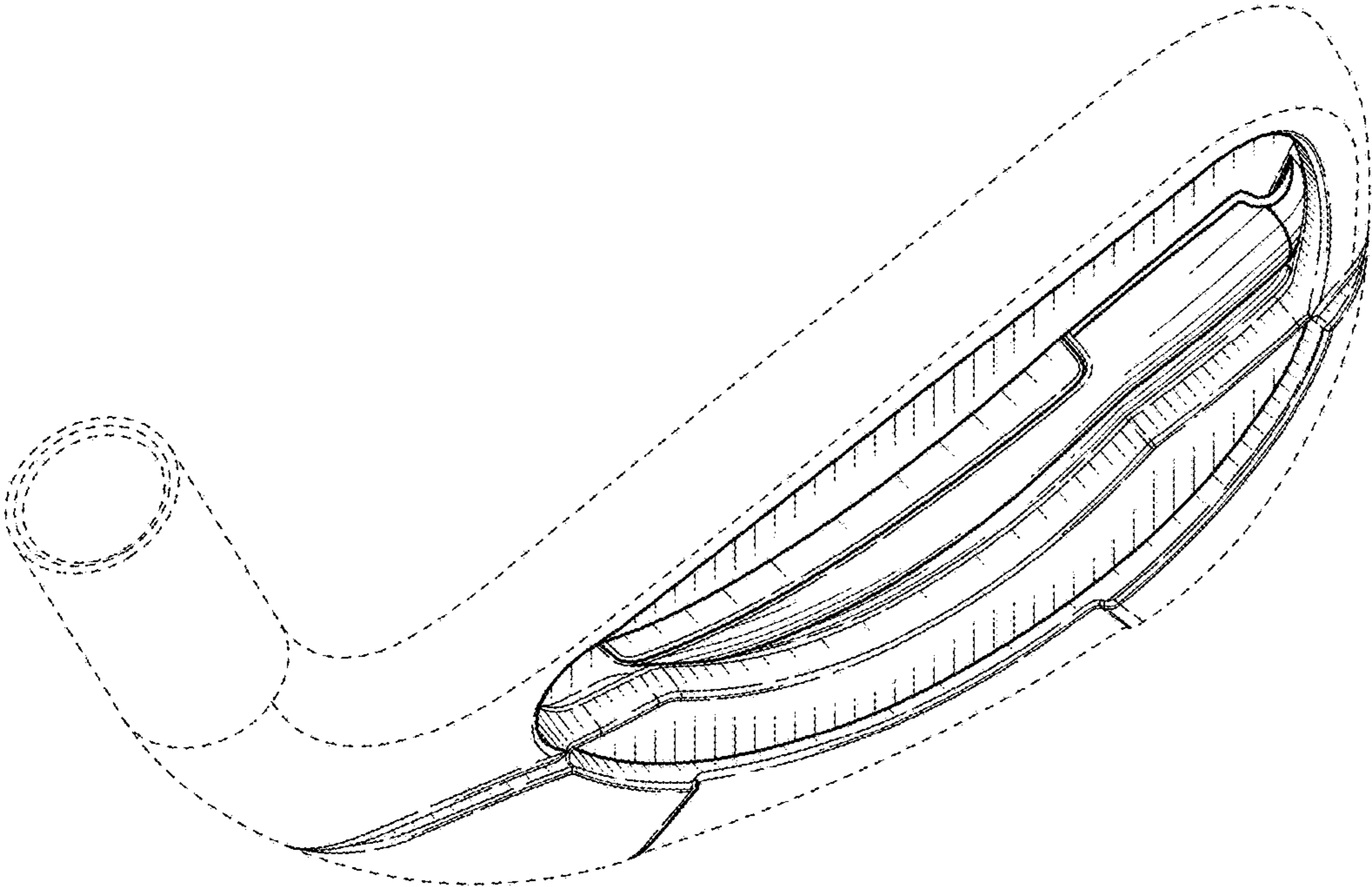


FIG. 1

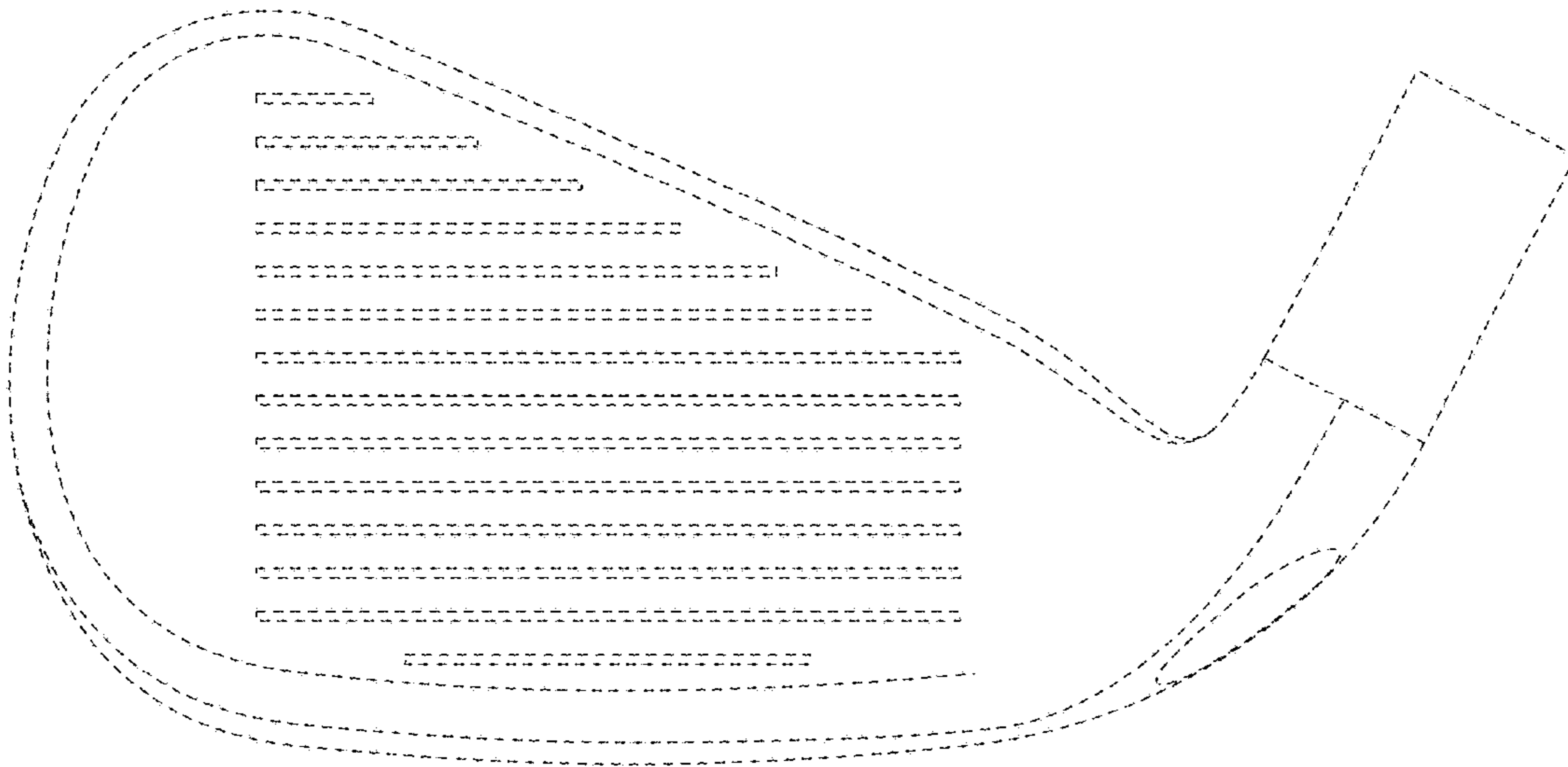


FIG. 2

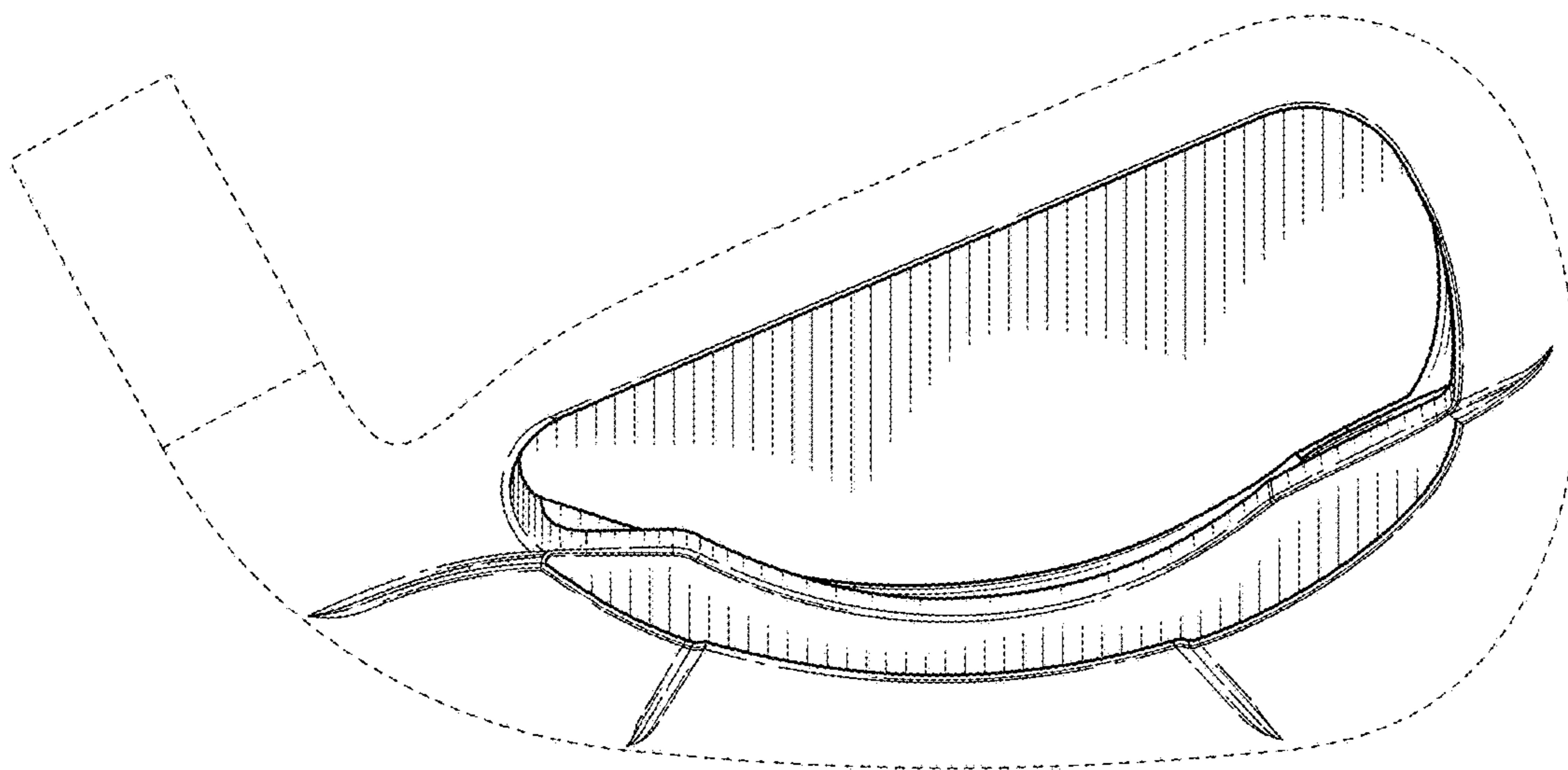


FIG. 3

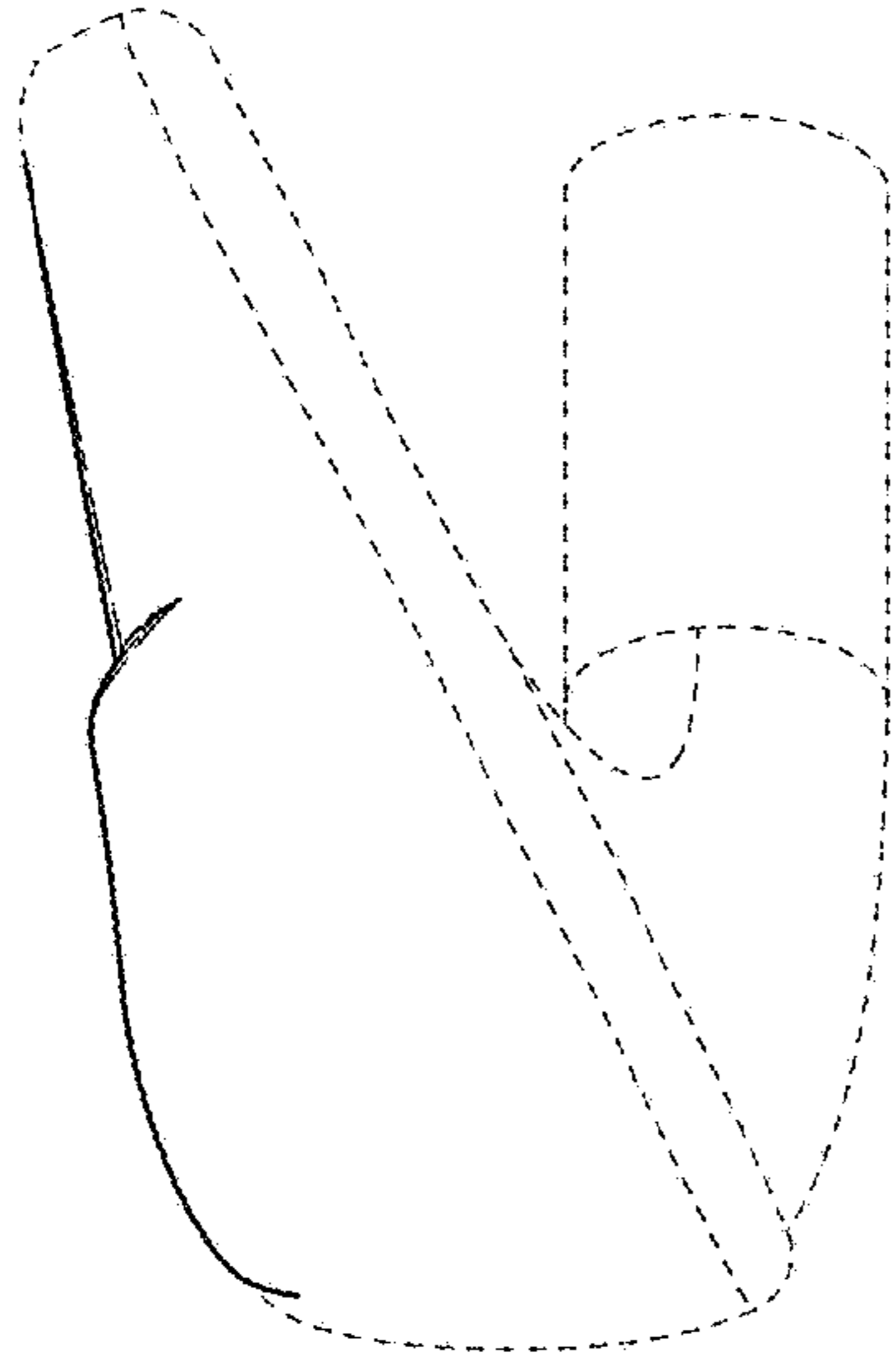


FIG. 4

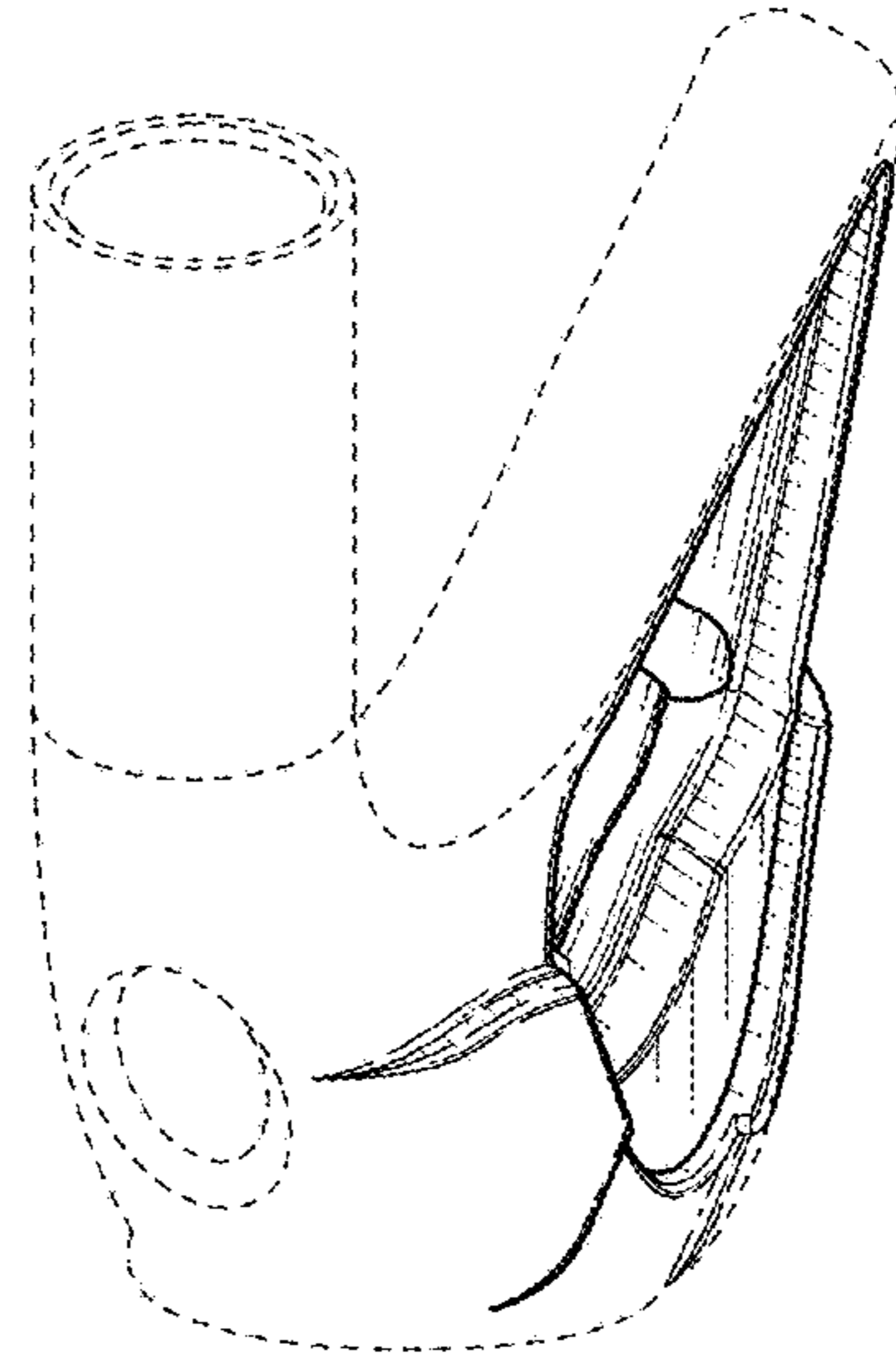


FIG. 5

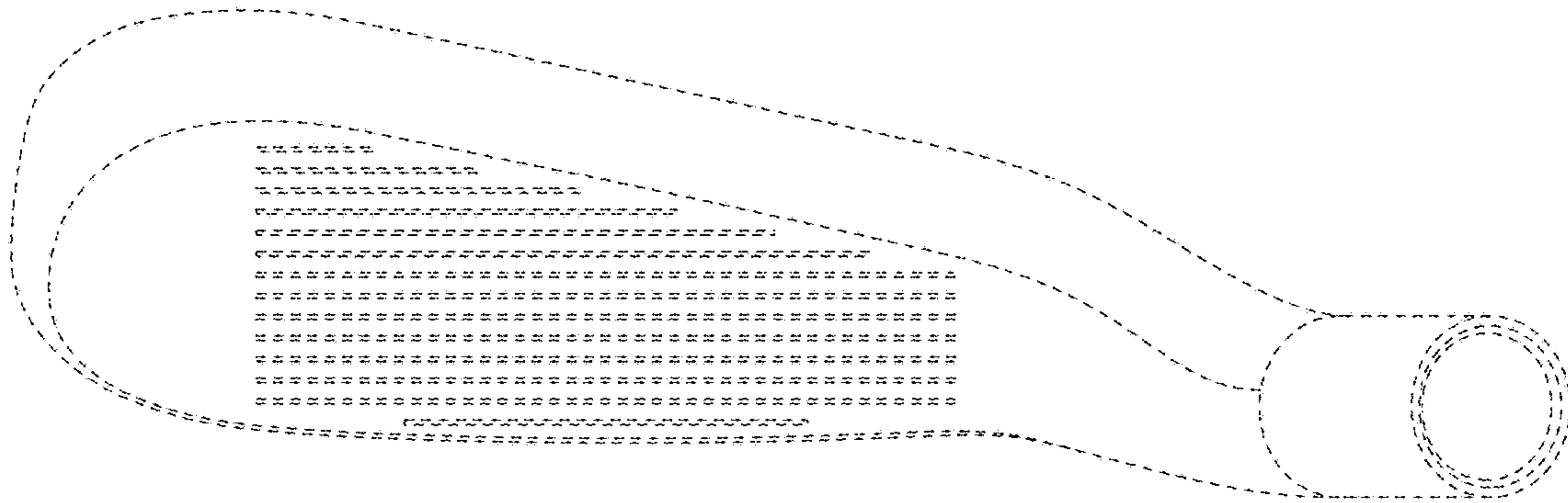


FIG. 6

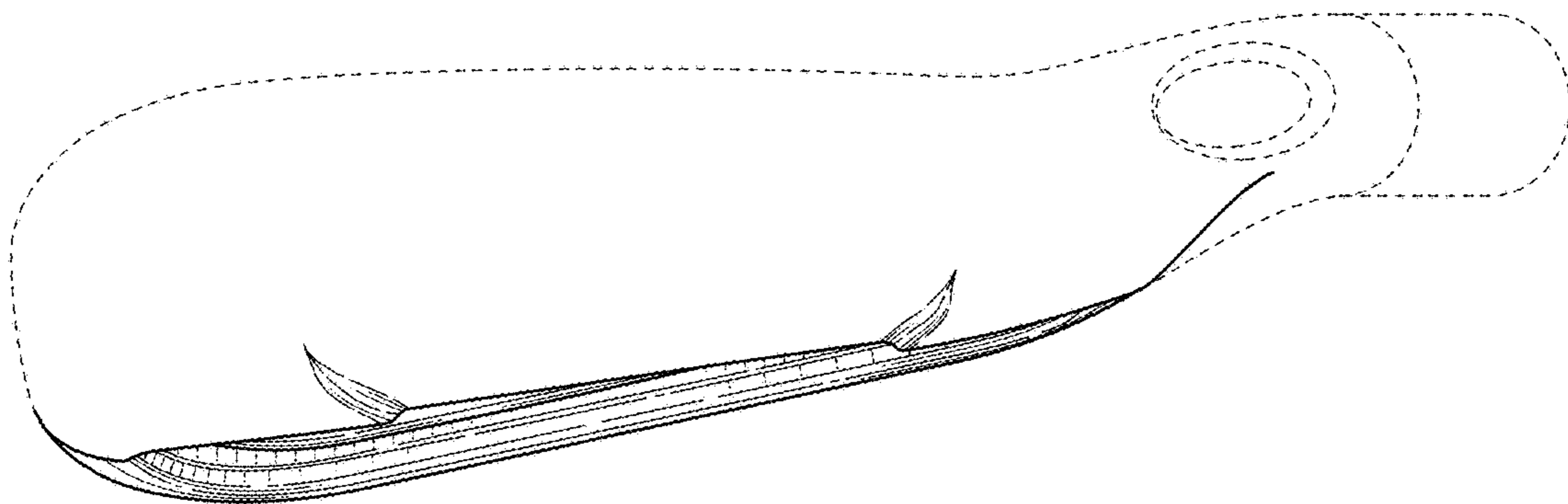


FIG. 7