



US00D795371S

(12) **United States Design Patent** (10) **Patent No.:** **US D795,371 S**  
**Stokke et al.** (45) **Date of Patent:** **\*\* Aug. 22, 2017**

(54) **GOLF CLUB HOSEL INSERT**

(56) **References Cited**

(71) Applicant: **KARSTEN MANUFACTURING CORPORATION**, Phoenix, AZ (US)

U.S. PATENT DOCUMENTS

(72) Inventors: **Ryan M. Stokke**, Anthem, AZ (US);  
**Jacob Clarke**, Phoenix, AZ (US)

D267,965 S	2/1983	Kobayashi
D276,836 S	12/1984	Cook
4,664,382 A	5/1987	Palmer et al.
D298,447 S	11/1988	Cook
4,815,740 A	3/1989	Williams et al.
4,852,782 A	8/1989	Wu et al.
4,854,582 A	8/1989	Yamada
4,884,808 A	12/1989	Retzer
4,892,316 A	1/1990	Langert et al.
D309,488 S	7/1990	Langert
4,943,059 A	7/1990	Morell
4,948,132 A	8/1990	Wharton

(73) Assignee: **Karsten Manufacturing Corporation**, Phoenix, AZ (US)

(\*\*) Term: **15 Years**

(21) Appl. No.: **29/563,121**

(22) Filed: **May 2, 2016**

(Continued)

*Primary Examiner* — Mitchell Siegel

**Related U.S. Application Data**

(60) Division of application No. 29/515,574, filed on Jan. 23, 2015, now Pat. No. Des. 757,194, which is a continuation-in-part of application No. 14/593,963, filed on Jan. 9, 2015, which is a division of application No. 13/468,675, filed on May 10, 2012, now Pat. No. 8,932,147, which is a continuation-in-part of application No. 13/429,319, filed on Mar. 24, 2012, now Pat. No. 8,790,191.

(51) **LOC (10) Cl.** ..... **21-02**

(52) **U.S. Cl.**  
USPC ..... **D21/759**

(58) **Field of Classification Search**  
USPC ..... D21/736-746, 759, 733, 752  
CPC ... A63B 53/065; A63B 53/0487; A63B 53/00;  
A63B 53/04; A63B 53/0466; A63B  
2053/002; A63B 2053/0445; A63B  
2053/0433; A63B 2053/0437; A63B  
2053/0491

See application file for complete search history.

(57) **CLAIM**

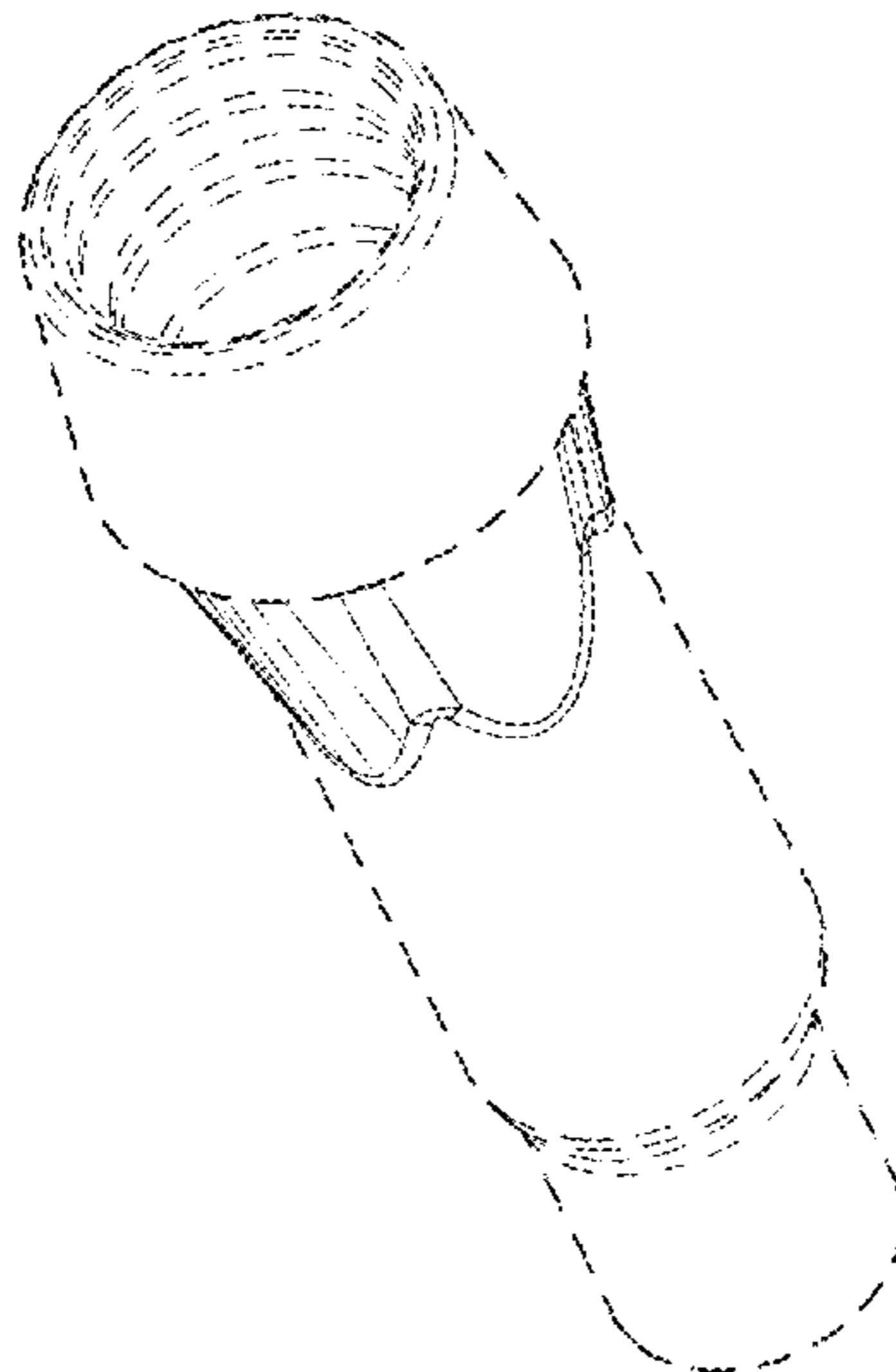
The ornamental design for a golf club hosel insert, as shown and described.

**DESCRIPTION**

FIG. 1 is a top perspective view of a golf club hosel insert; FIG. 2 is a bottom perspective view of the golf club hosel insert of FIG. 1; FIG. 3 is a front view of the golf club hosel insert of FIG. 1; FIG. 4 is a rear view of the golf club hosel insert of FIG. 1; FIG. 5 is a top view of the golf club hosel insert of FIG. 1; FIG. 6 is a bottom view of the golf club hosel insert of FIG. 1; FIG. 7 is a left view of the golf club hosel insert of FIG. 1; and, FIG. 8 is a right view of the golf club hosel insert of FIG. 1.

The broken lines connecting the solid contour lines represent the bounds of the claim. The remaining broken lines illustrate the environment. None of the broken lines forms part of the claimed design.

**1 Claim, 3 Drawing Sheets**



(56)

References Cited

U.S. PATENT DOCUMENTS

4,995,609 A	2/1991	Parente et al.	8,057,320 B2	11/2011	Bennett et al.
5,039,098 A	8/1991	Pelz	8,079,918 B2	12/2011	Cole et al.
5,042,806 A	8/1991	Helmstetter	8,096,894 B2	1/2012	Sander
5,067,711 A	11/1991	Parente et al.	8,133,131 B1	3/2012	Bennett et al.
5,067,715 A	11/1991	Schmidt et al.	8,142,306 B2	3/2012	De La Cruz et al.
5,149,091 A	9/1992	Okumoto et al.	8,147,351 B2	4/2012	Bennett et al.
5,163,682 A	11/1992	Schmidt et al.	8,207,507 B2	6/2012	Zaitseva et al.
5,165,688 A	11/1992	Schmidt et al.	8,216,084 B2	7/2012	Bennett et al.
5,180,166 A	1/1993	Schmidt et al.	8,419,567 B2	4/2013	Jertson et al.
5,183,264 A	2/1993	Lanctot	D682,378 S *	5/2013	Holt ..... D21/759
5,204,046 A	4/1993	Schmidt	D687,502 S *	8/2013	Oldknow ..... D21/759
5,222,734 A	6/1993	Parente et al.	D687,504 S *	8/2013	Stokke ..... D21/759
5,240,252 A	8/1993	Schmidt et al.	D689,575 S *	9/2013	Oldknow ..... D21/759
5,273,280 A	12/1993	Lo	8,790,191 B2 *	7/2014	Jertson ..... A63B 53/02 473/246
5,275,399 A	1/1994	Schmidt et al.	8,926,447 B2 *	1/2015	Jertson ..... A63B 53/02 473/246
5,282,625 A	2/1994	Schmidt et al.	8,932,147 B2 *	1/2015	Jertson ..... A63B 53/02 473/246
D345,775 S	4/1994	Poincenot et al.	D723,121 S *	2/2015	Stokke ..... D21/759
5,301,946 A	4/1994	Schmidt et al.	D757,194 S *	5/2016	Stokke ..... D21/759
5,308,062 A	5/1994	Hogan	2001/0007835 A1	7/2001	Baron
5,314,184 A	5/1994	Schmidt et al.	2005/0101402 A1	5/2005	Kawakami
5,318,300 A	6/1994	Schmidt et al.	2006/0281575 A1	12/2006	Hocknell et al.
5,320,347 A	6/1994	Parente et al.	2006/0287125 A1	12/2006	Hocknell et al.
5,330,187 A	7/1994	Schmidt et al.	2006/0293115 A1	12/2006	Hocknell et al.
5,335,914 A	8/1994	Long	2006/0293116 A1	12/2006	Hocknell et al.
5,344,150 A	9/1994	Schmidt et al.	2007/0117645 A1	5/2007	Nakashima
5,351,958 A	10/1994	Helmstetter	2008/0254909 A1	10/2008	Callinan et al.
5,395,109 A	3/1995	Fenton, Jr.	2008/0261716 A1	10/2008	Sugimoto
5,409,229 A	4/1995	Schmidt et al.	2008/0293510 A1	11/2008	Yamamoto
RE34,925 E	5/1995	McKeighen	2009/0062029 A1	3/2009	Stites et al.
5,411,263 A	5/1995	Schmidt et al.	2009/0075749 A1	3/2009	Cruz et al.
5,417,559 A	5/1995	Schmidt	2009/0124407 A1	5/2009	Hocknell et al.
5,429,355 A	7/1995	Schmidt et al.	2009/0233728 A1	9/2009	Liou
5,429,365 A	7/1995	McKeighen	2009/0247316 A1	10/2009	De La Cruz et al.
5,433,442 A	7/1995	Walker	2009/0264214 A1	10/2009	De La Cruz et al.
5,441,274 A	8/1995	Clay	2009/0275423 A1	11/2009	Yamamoto
5,507,985 A	4/1996	Cadorniga	2009/0286611 A1	11/2009	Beach et al.
5,538,245 A	7/1996	Moore	2009/0286618 A1	11/2009	Beach et al.
D375,130 S	10/1996	Hlinka et al.	2009/0286619 A1	11/2009	Beach et al.
D378,770 S	4/1997	Hlinka et al.	2010/0016094 A1	1/2010	Hocknell et al.
5,632,695 A	5/1997	Hlinka et al.	2010/0035700 A1	2/2010	Yu et al.
5,722,901 A	3/1998	Barron et al.	2010/0035701 A1	2/2010	Kusumoto
D393,678 S *	4/1998	Jones ..... D21/759	2010/0041491 A1	2/2010	Thomas et al.
5,839,973 A	11/1998	Jackson	2010/0120550 A1	5/2010	Galloway
5,863,260 A	1/1999	Butler, Jr. et al.	2010/0120552 A1	5/2010	Sander et al.
5,924,938 A	7/1999	Hines	2010/0144459 A1	6/2010	Sato et al.
5,951,411 A	9/1999	Wood et al.	2010/0197423 A1	8/2010	Thomas et al.
6,050,903 A	4/2000	Lake	2010/0197424 A1	8/2010	Beach et al.
6,547,673 B2	4/2003	Roark	2010/0203981 A1	8/2010	Morris et al.
6,857,969 B2	2/2005	Rice	2010/0261543 A1	10/2010	Breier et al.
6,863,622 B1	3/2005	Hsu	2010/0323808 A1	12/2010	Sato et al.
7,083,529 B2	8/2006	Cackett et al.	2010/0323809 A1	12/2010	Murphy
7,117,923 B2	10/2006	Schweigert et al.	2010/0331121 A1	12/2010	Morris et al.
7,300,359 B2	11/2007	Hocknell et al.	2011/0009206 A1	1/2011	Soracco
7,344,449 B2	3/2008	Hocknell et al.	2011/0021282 A1	1/2011	Sander
7,351,159 B2	4/2008	Lai	2011/0105242 A1	5/2011	Beach et al.
7,438,645 B2	10/2008	Hsu	2011/0118044 A1	5/2011	Sato et al.
7,465,239 B2	12/2008	Hocknell et al.	2011/0118045 A1	5/2011	Sato et al.
D588,663 S *	3/2009	Lee ..... D21/759	2011/0118048 A1	5/2011	Soracco et al.
7,530,900 B2	5/2009	Holt et al.	2011/0143854 A1	6/2011	Bennett et al.
7,553,240 B2	6/2009	Burnett et al.	2011/0159983 A1	6/2011	Burnett et al.
7,578,749 B2	8/2009	Hocknell et al.	2011/0177876 A1	7/2011	Bennett et al.
7,601,075 B2	10/2009	Cole et al.	2011/0190072 A1	8/2011	Beach et al.
D614,712 S *	4/2010	Toulon ..... D21/759	2011/0201447 A1	8/2011	Thomas et al.
7,699,717 B2 *	4/2010	Morris ..... A63B 53/02 473/288	2011/0207547 A1	8/2011	Sander et al.
7,722,475 B2	5/2010	Thomas et al.	2011/0275448 A1	11/2011	Morris et al.
7,846,037 B2	12/2010	Burnett et al.	2011/0287853 A1	11/2011	Sato
7,874,934 B2	1/2011	Soracco et al.	2011/0319185 A1	12/2011	Beach et al.
7,878,921 B2	2/2011	Bennett et al.	2012/0010015 A1	1/2012	Bennett et al.
7,909,706 B2	3/2011	Cole et al.	2012/0034994 A1	2/2012	Knutson et al.
7,931,542 B2	4/2011	Kusumoto	2012/0034995 A1	2/2012	Harvell et al.
7,955,182 B2	6/2011	Stites et al.	2012/0034996 A1 *	2/2012	Murphy ..... A63B 53/02 473/307
7,963,855 B2	6/2011	Sander et al.			
7,980,959 B2	7/2011	Morris et al.			
7,997,997 B2	8/2011	Bennett et al.			

(56)

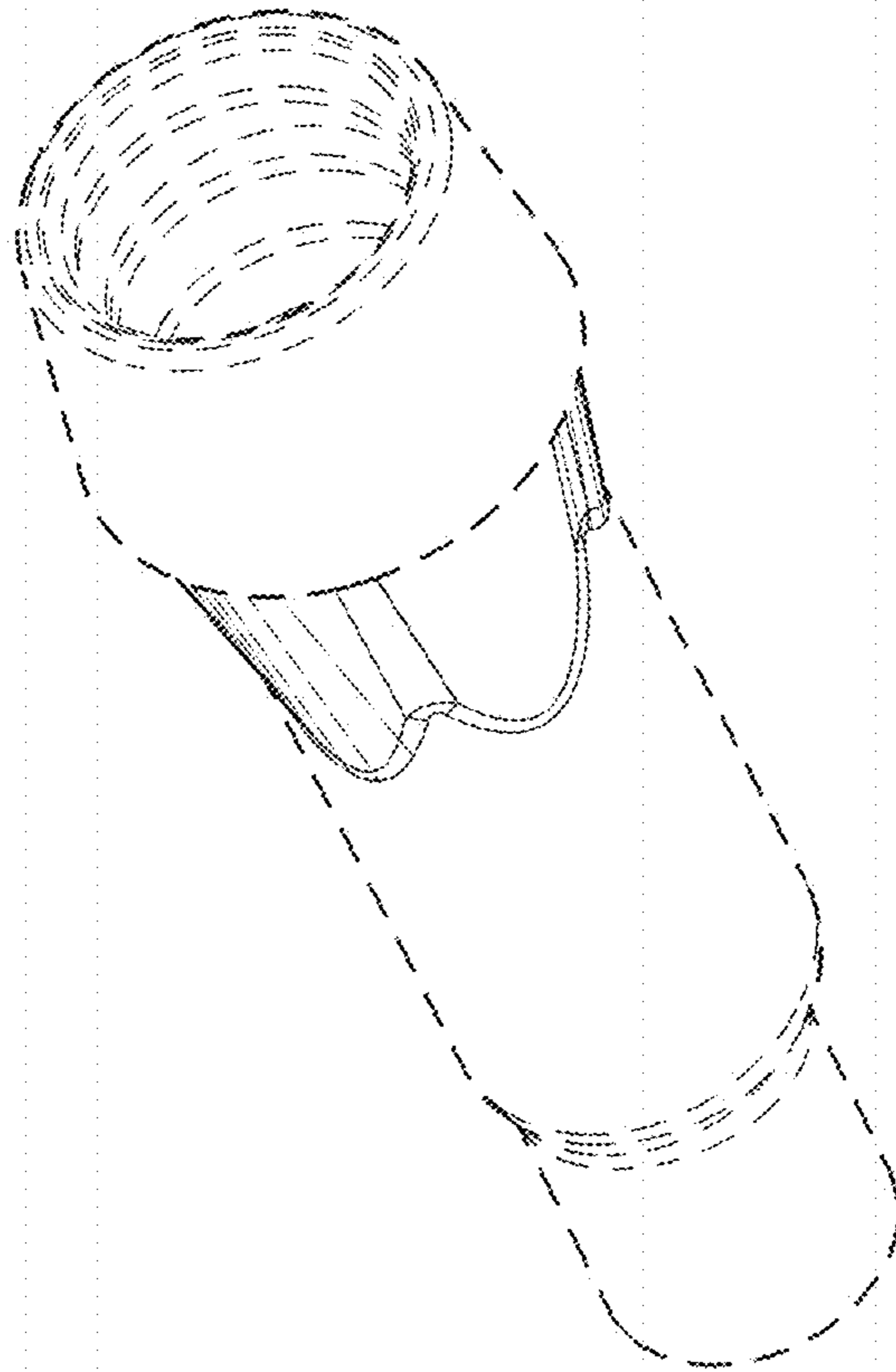
**References Cited**

U.S. PATENT DOCUMENTS

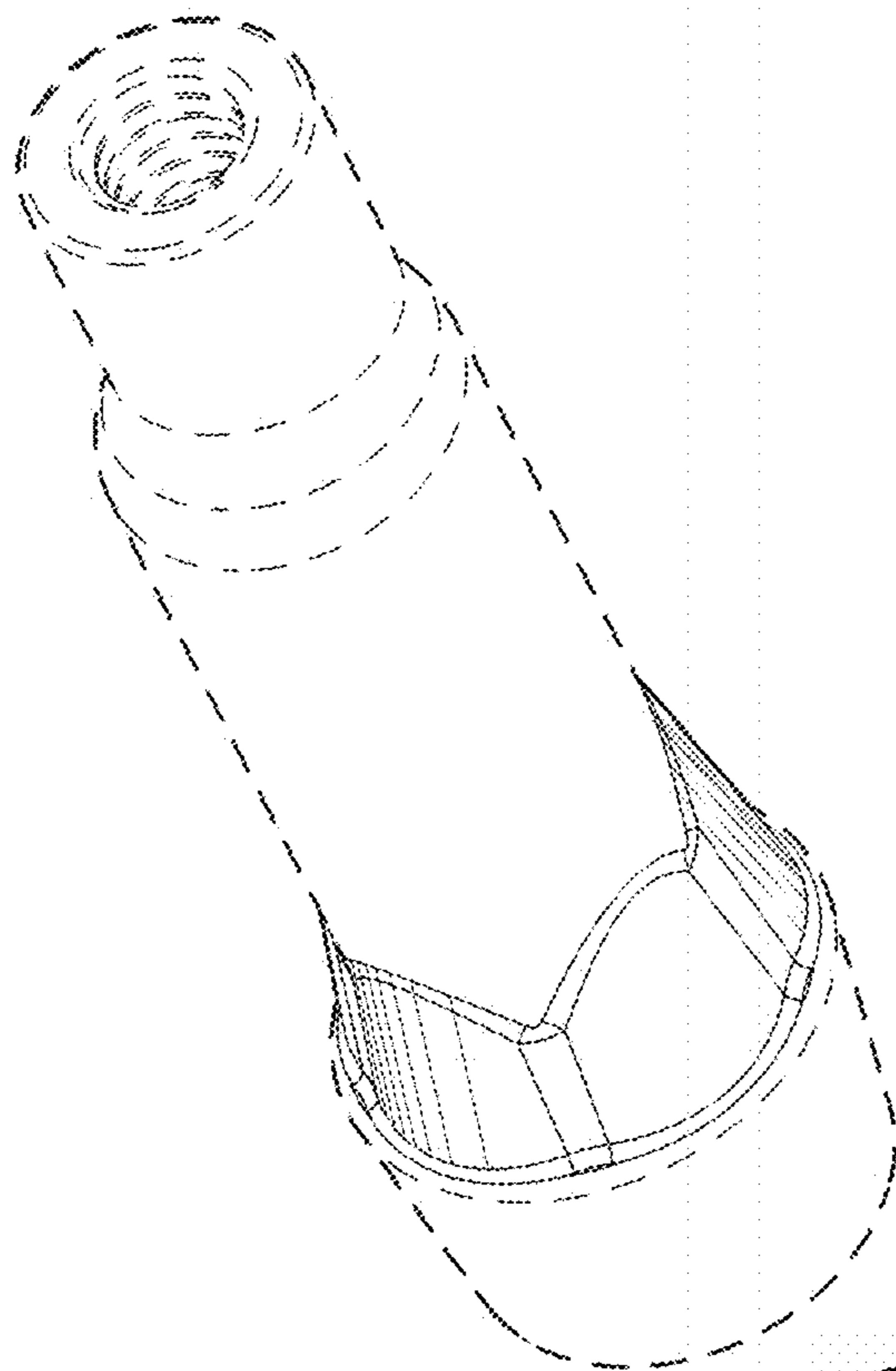
2012/0071261 A1\* 3/2012 Yamamoto ..... A63B 53/02  
473/307  
2012/0100926 A1\* 4/2012 Golden ..... A63B 53/02  
473/307  
2012/0165112 A1 6/2012 Bennett et al.

\* cited by examiner

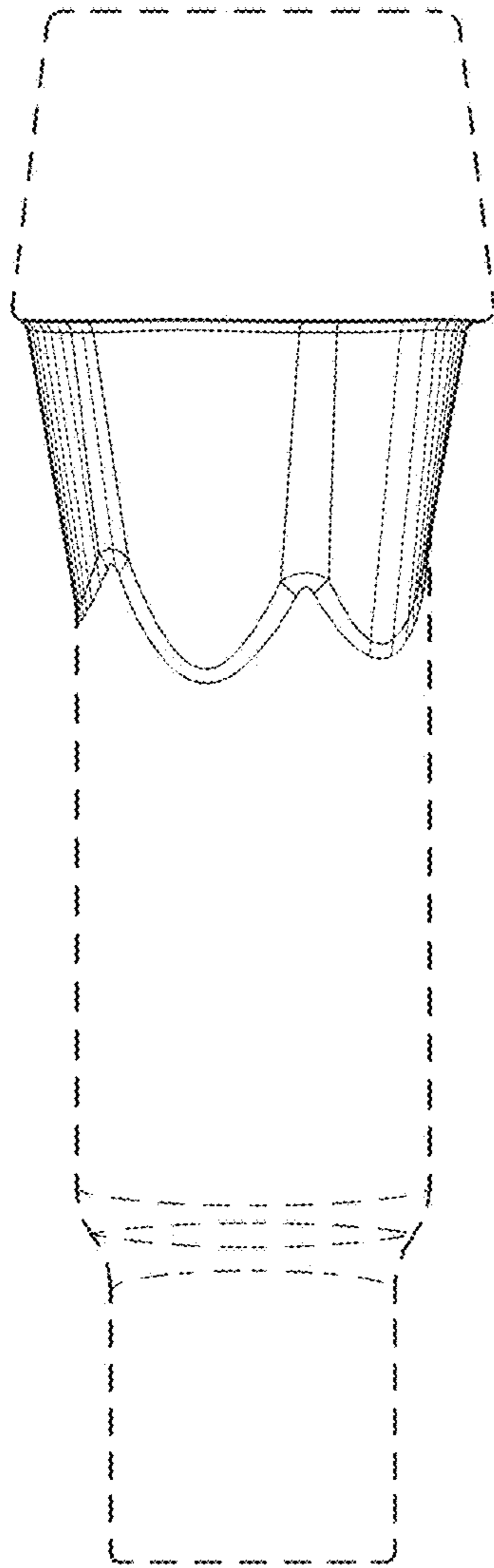




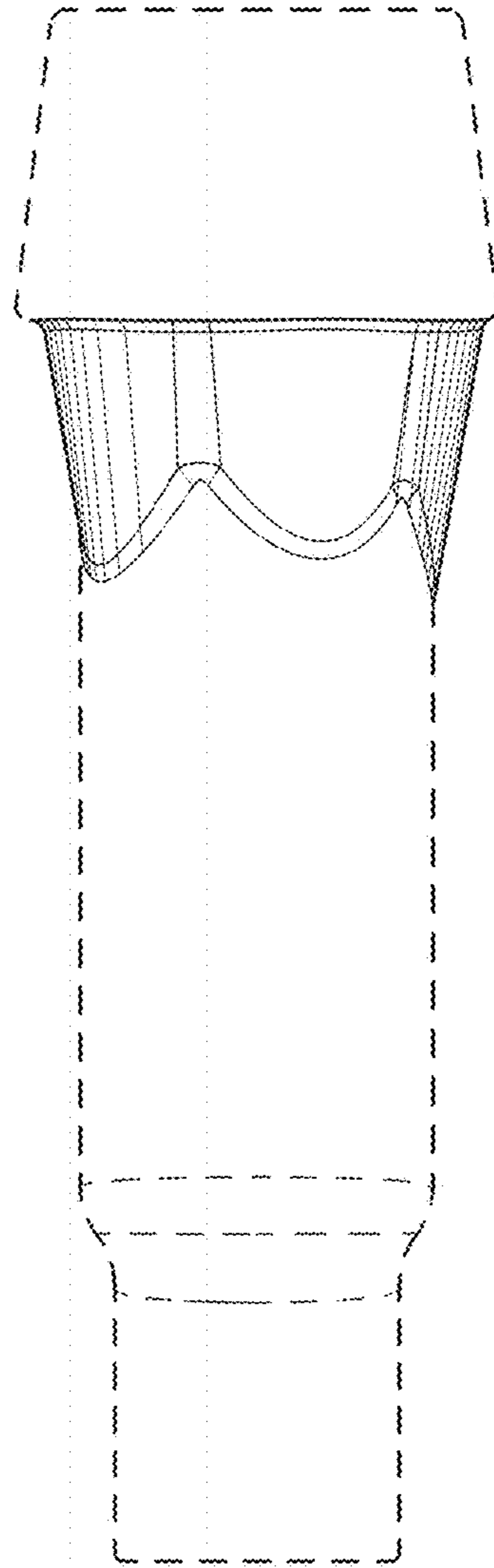
*Fig. 1*



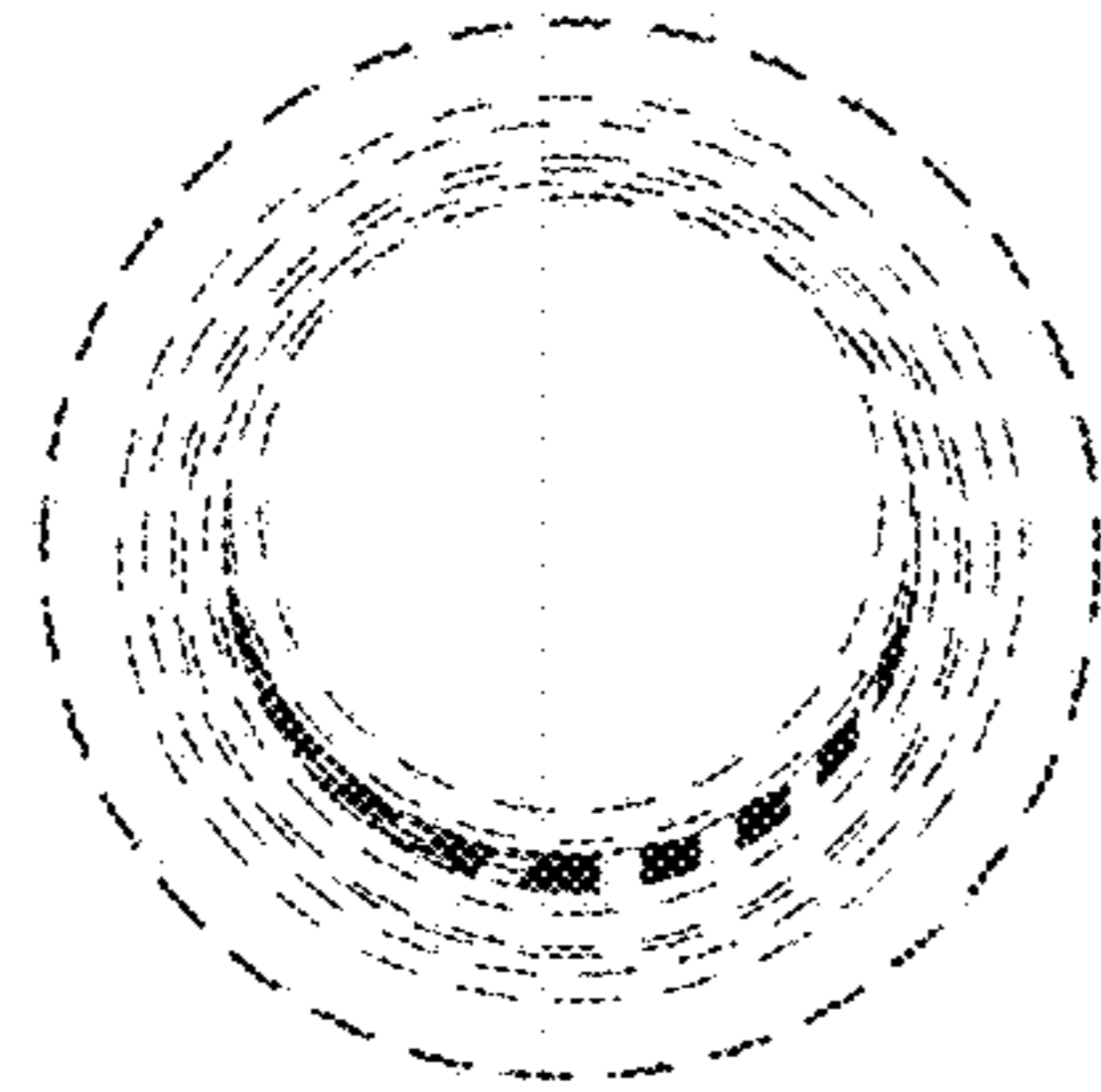
*Fig. 2*



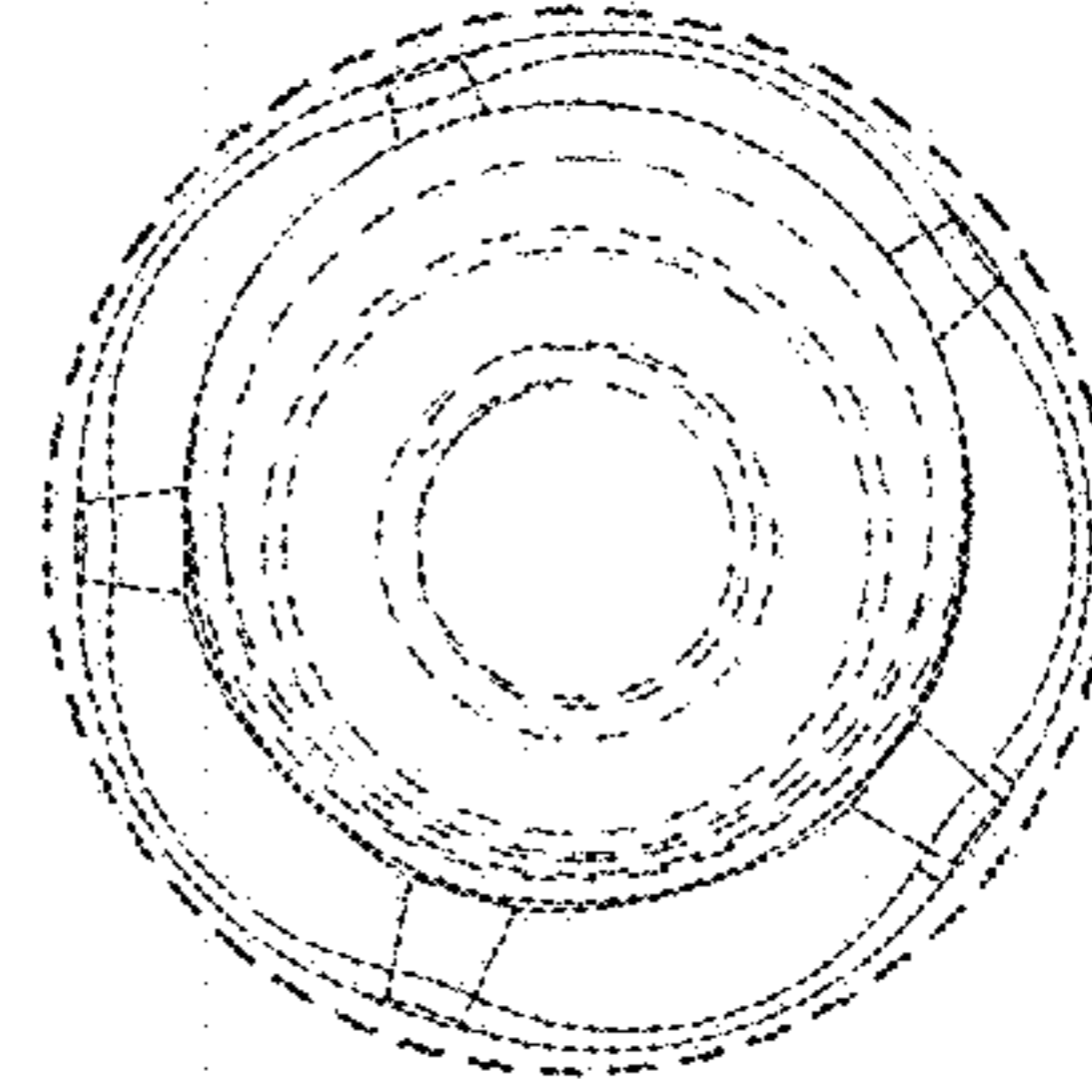
*Fig. 3*



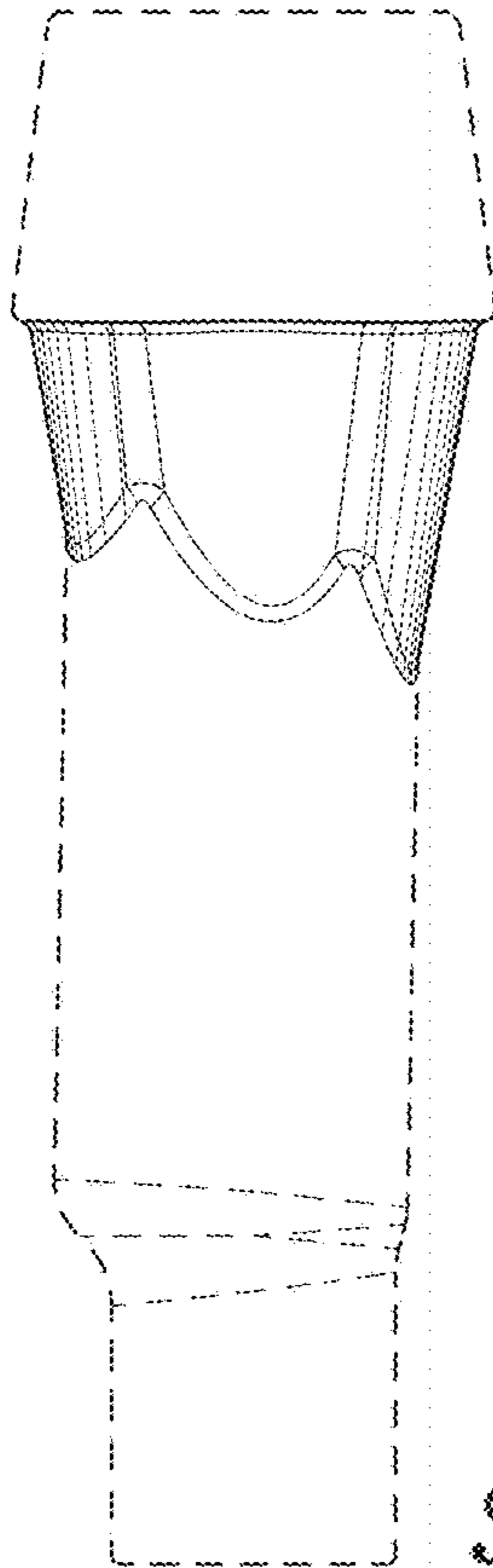
*Fig. 4*



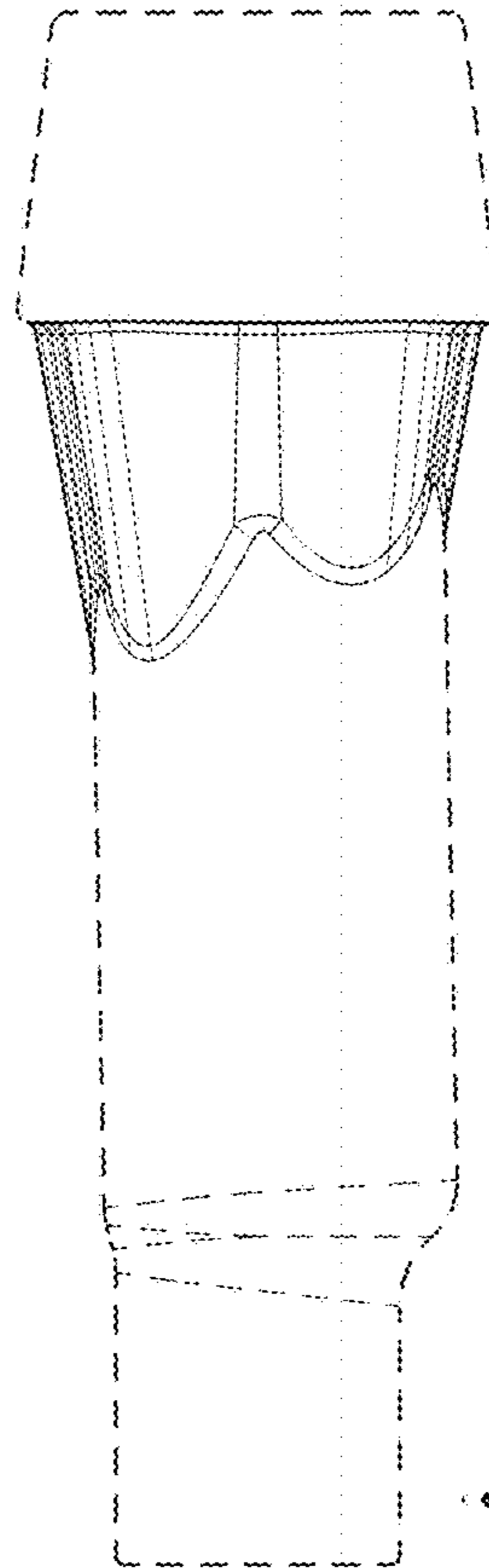
*Fig. 5*



*Fig. 6*



*Fig. 7*



*Fig. 8*