



US00D795370S

(12) **United States Design Patent** (10) **Patent No.:** **US D795,370 S**
Bacon et al. (45) **Date of Patent:** **** Aug. 22, 2017**

- (54) **GOLF CLUB HEAD**
- (71) Applicant: **KARSTEN MANUFACTURING CORPORATION**, Phoenix, AZ (US)
- (72) Inventors: **Cory S. Bacon**, Cave Creek, AZ (US); **Xiaojian Chen**, Phoenix, AZ (US)
- (73) Assignee: **Karsten Manufacturing Corporation**, Phoenix, AZ (US)
- (**) Term: **15 Years**
- (21) Appl. No.: **29/560,594**
- (22) Filed: **Apr. 8, 2016**

- D318,512 S 7/1991 Piotrowski
- 5,048,834 A 9/1991 Gorman
- D330,577 S 10/1992 Solheim
- D332,812 S 1/1993 Solheim
- D344,778 S 3/1994 Solheim
- D357,293 S 4/1995 Solheim
- D357,294 S 4/1995 Solheim
- D368,127 S 3/1996 Solheim
- D379,393 S 5/1997 Kubica
- D383,819 S 9/1997 Takahashi
- 5,665,013 A 9/1997 Kobayashi
- 5,676,605 A 10/1997 Kobayashi
- D386,550 S 11/1997 Wright
- D386,551 S 11/1997 Solheim
- D387,405 S 12/1997 Solheim
- D388,486 S 12/1997 Mahaffey
- D390,617 S 2/1998 Solheim
- D392,356 S 3/1998 Burrows
- D398,687 S 9/1998 Miyajima
- D411,272 S 6/1999 Burrow

(Continued)

Related U.S. Application Data

- (62) Division of application No. 29/513,757, filed on Jan. 5, 2015, now Pat. No. Des. 754,806.
- (51) **LOC (10) Cl.** **21-02**
- (52) **U.S. Cl.**
USPC **D21/759**
- (58) **Field of Classification Search**
USPC D21/747-751, 759
CPC A63B 53/00; A63B 53/04; A63B 53/047;
A63B 53/0475; A63B 53/0445; A63B
2053/0479
See application file for complete search history.

Primary Examiner — Mitchell Siegel

(57) **CLAIM**

The ornamental design for a golf club head, as shown and described.

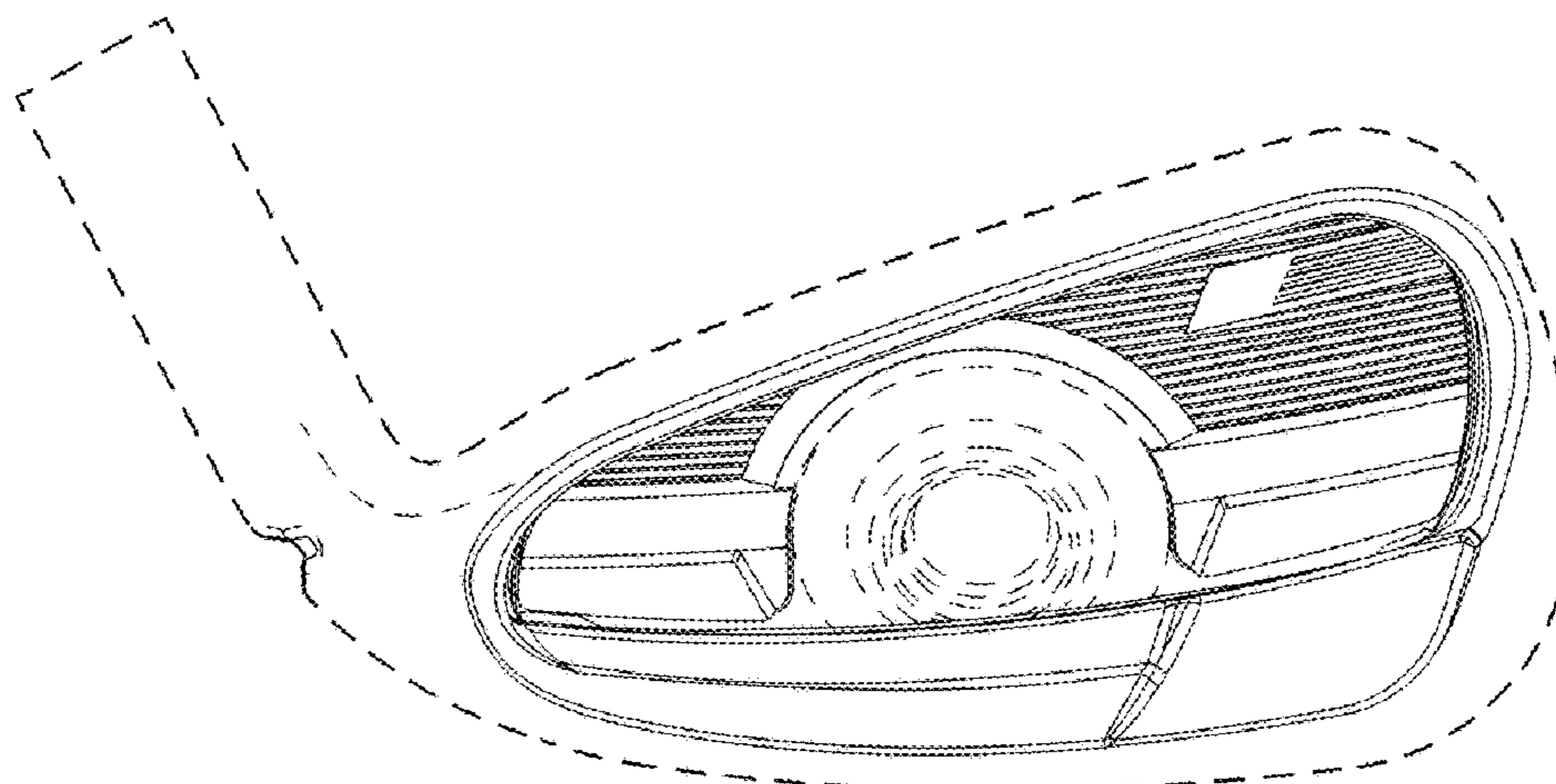
DESCRIPTION

FIG. 1 is a top perspective view of a golf club head; FIG. 2 is a bottom perspective view of the golf club head of FIG. 1; FIG. 3 is a front view of the golf club head of FIG. 1; FIG. 4 is a rear view of the golf club head of FIG. 1; FIG. 5 is a top view of the golf club head of FIG. 1; FIG. 6 is a bottom view of the golf club head of FIG. 1; FIG. 7 is a left view of the golf club head of FIG. 1; and, FIG. 8 is a right view of the golf club head of FIG. 1. The broken lines shown in one or more of the figures are for illustrative purposes only and form no part of the claimed design.

1 Claim, 4 Drawing Sheets

(56) **References Cited**
U.S. PATENT DOCUMENTS

- D55,278 S 5/1920 Kraeuter
- D234,608 S 3/1975 Raymont
- D240,841 S 8/1976 Solheim
- D256,264 S 8/1980 Solheim
- 4,355,808 A 10/1982 Jernigan
- D276,644 S 12/1984 Solheim
- 4,907,806 A 3/1990 Antonious
- 5,014,993 A 5/1991 Antonious



(56)

References Cited

U.S. PATENT DOCUMENTS

5,921,869 A 7/1999 Blough
 D418,184 S 12/1999 Kubica
 D421,784 S 3/2000 Kubica
 D422,043 S 3/2000 Kubica
 D428,635 S 7/2000 Nagai
 D429,298 S * 8/2000 Butler D21/747
 D429,299 S 8/2000 Kubica
 D437,902 S 2/2001 Persinger
 D437,906 S 2/2001 Gilbert
 D442,659 S 5/2001 Kubica
 D443,008 S 5/2001 Kubica
 D444,195 S 6/2001 Wahl
 D458,328 S 6/2002 Solheim
 D465,253 S 11/2002 Best
 D473,605 S 4/2003 Petersen
 D475,108 S * 5/2003 Madore D21/759
 D481,432 S * 10/2003 Greene D21/748
 6,695,714 B1 2/2004 Bliss
 D490,129 S * 5/2004 Greene D21/748
 D492,376 S 6/2004 Nicolette
 D494,240 S 8/2004 Schweigert
 D494,648 S 8/2004 Schweigert
 D500,350 S 12/2004 Schweigert
 D500,351 S 12/2004 Schweigert
 D502,237 S 2/2005 Schweigert
 D502,975 S 3/2005 Schweigert
 D503,204 S 3/2005 Nicolette
 D504,925 S 5/2005 Schweigert
 D505,171 S 5/2005 Schweigert
 D507,614 S 7/2005 Schweigert
 6,921,344 B2 7/2005 Gilbert
 D508,099 S 8/2005 Schweigert
 D511,553 S * 11/2005 Madore D21/759
 D512,474 S * 12/2005 Madore D21/759
 D512,475 S * 12/2005 Madore D21/759
 D514,183 S 1/2006 Schweigert
 D516,152 S * 2/2006 Madore D21/759
 D517,625 S 3/2006 Sanchez
 D519,179 S 4/2006 Roberts
 D523,501 S 6/2006 Nicolette
 D530,759 S 10/2006 Nicolette
 D530,760 S 10/2006 Schweigert
 7,125,343 B2 10/2006 Imamoto
 D532,849 S 11/2006 Nicolette
 D534,228 S 12/2006 Nicolette
 D534,595 S * 1/2007 Hasebe D21/747
 D534,597 S 1/2007 Nicolette
 D536,759 S 2/2007 Schweigert
 D537,494 S 2/2007 Jertson
 D538,366 S 3/2007 Nicolette
 D539,862 S * 4/2007 Nunez D21/748
 D539,864 S 4/2007 Nicolette
 D540,898 S 4/2007 Solheim
 D541,360 S 4/2007 Schweigert
 7,207,900 B2 4/2007 Nicolette
 D544,056 S 6/2007 Nicolette
 D553,699 S * 10/2007 Nunez D21/747
 D554,212 S * 10/2007 Nunez D21/747
 D554,218 S 10/2007 Ruggiero
 D559,931 S 1/2008 Roach
 D561,855 S 2/2008 Schweigert
 D562,925 S 2/2008 Schweigert
 D570,435 S 6/2008 Sanchez
 D570,935 S 6/2008 Nicolette
 D570,936 S 6/2008 Schweigert

D571,422 S 6/2008 Schweigert
 D571,881 S 6/2008 Nicolette
 D572,326 S 7/2008 Schweigert
 D572,329 S * 7/2008 Nicolette D21/759
 D573,219 S 7/2008 Schweigert
 7,396,299 B2 7/2008 Nicolette
 D577,783 S 9/2008 Schweigert
 D578,590 S 10/2008 Schweigert
 D581,000 S 11/2008 Nicolette
 D581,004 S * 11/2008 Schweigert D21/759
 D596,256 S 7/2009 Schweigert
 D596,257 S 7/2009 Jertson
 D596,258 S * 7/2009 Jertson D21/759
 D596,688 S * 7/2009 Schweigert D21/759
 D597,158 S 7/2009 Schweigert
 D597,616 S * 8/2009 Ines D21/747
 D598,060 S * 8/2009 Barez D21/747
 D601,216 S 9/2009 Jertson
 D604,783 S 11/2009 Nicolette
 D607,073 S 12/2009 Jertson
 D621,893 S 8/2010 Nicolette
 D621,894 S 8/2010 Schweigert
 D621,895 S * 8/2010 Schweigert D21/759
 D627,409 S * 11/2010 Schweigert D21/759
 D627,410 S 11/2010 Nicolette
 D635,627 S 4/2011 Nicolette
 D643,491 S 8/2011 Stokke
 D643,896 S 8/2011 Jertson
 D647,582 S 10/2011 Nicolette
 D647,985 S * 11/2011 Atwell D21/747
 D647,987 S * 11/2011 Atwell D21/747
 D649,211 S * 11/2011 Jertson D21/759
 D651,268 S * 12/2011 Nicolette D21/759
 D672,417 S 12/2012 Jertson
 D680,603 S 4/2013 Nicolette
 D681,143 S 4/2013 Nicolette
 D685,041 S * 6/2013 Stokke D21/759
 D685,042 S * 6/2013 Jertson D21/759
 D685,043 S * 6/2013 Stokke D21/759
 8,535,177 B1 * 9/2013 Wahl A63B 69/3635
 473/290
 8,574,094 B2 11/2013 Nicolette
 8,657,700 B2 2/2014 Nicolette
 8,690,710 B2 4/2014 Nicolette
 D708,688 S 7/2014 Nicolette
 D709,573 S * 7/2014 Stokke D21/759
 D710,468 S * 8/2014 Nicolette D21/759
 D716,883 S 11/2014 Stokke
 D719,230 S * 12/2014 Chen D21/759
 D720,413 S 12/2014 Chen
 D754,269 S * 4/2016 Stokke D21/747
 D754,806 S * 4/2016 Bacon D21/747
 D755,316 S * 5/2016 Stokke D21/759
 D777,854 S * 1/2017 Bacon D21/748
 D780,274 S * 2/2017 Bacon D21/759
 2003/0119602 A1 6/2003 Kennedy, III
 2005/0009632 A1 1/2005 Schweigert
 2005/0096156 A1 5/2005 Chen
 2006/0258480 A1 11/2006 Hou
 2007/0117653 A1 5/2007 Yoneyama
 2007/0225084 A1 9/2007 Schweigert
 2008/0300065 A1 12/2008 Schweigert
 2009/0029790 A1 1/2009 Nicolette
 2009/0029791 A1 1/2009 Solheim
 2009/0118033 A1 5/2009 Nakamura
 2009/0149277 A1 6/2009 Deng
 2010/0178999 A1 7/2010 Nicolette

* cited by examiner

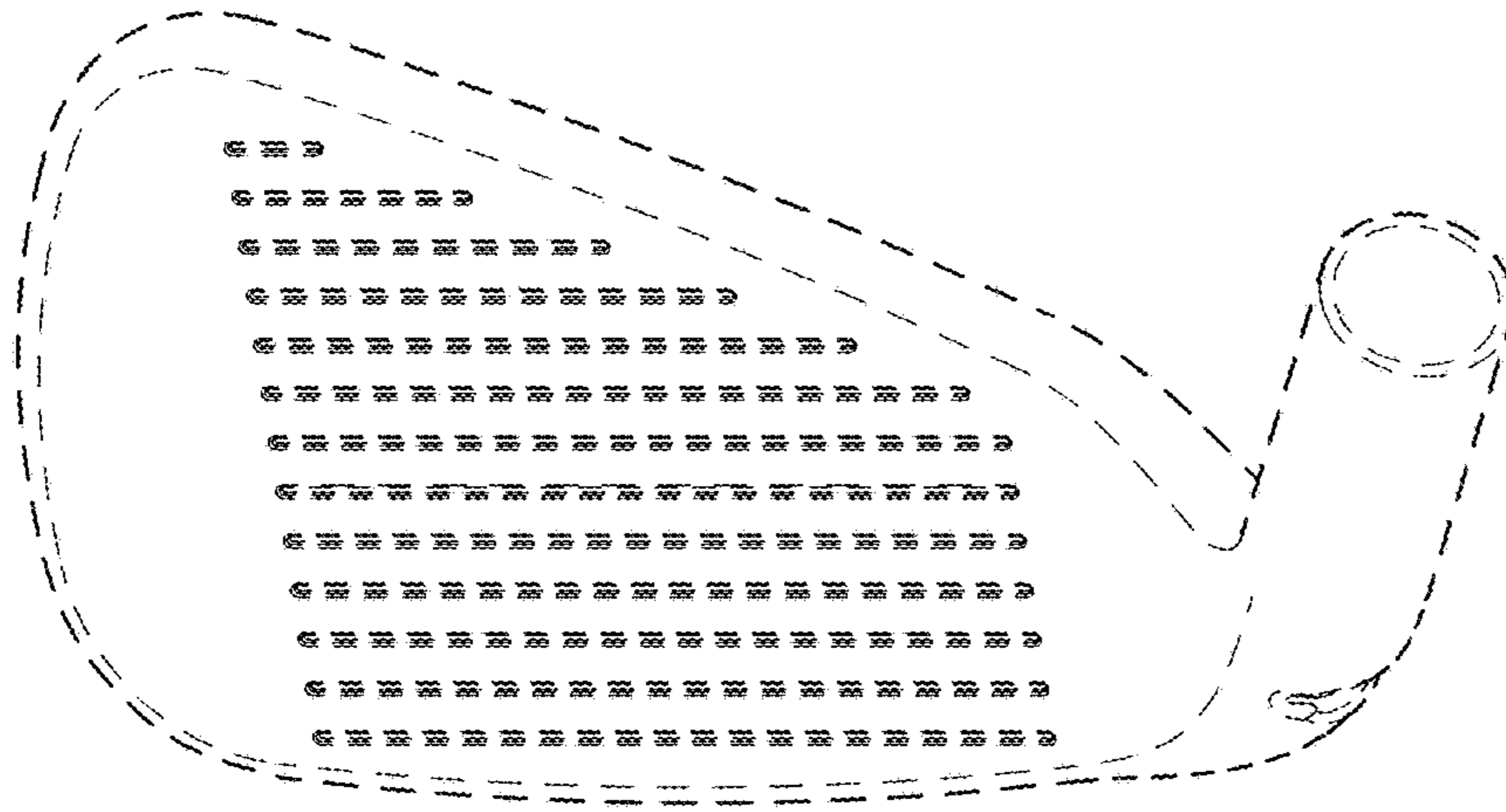


Fig. 1

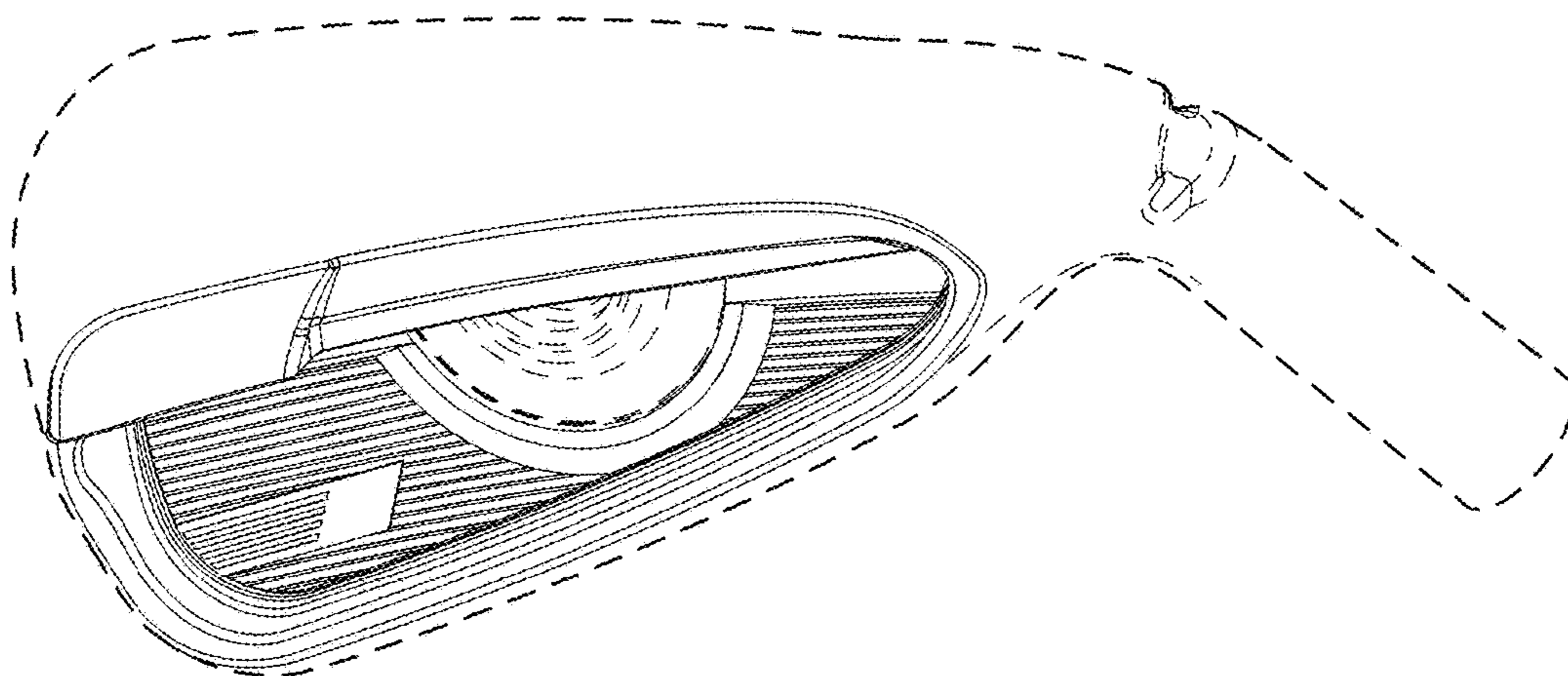


Fig. 2

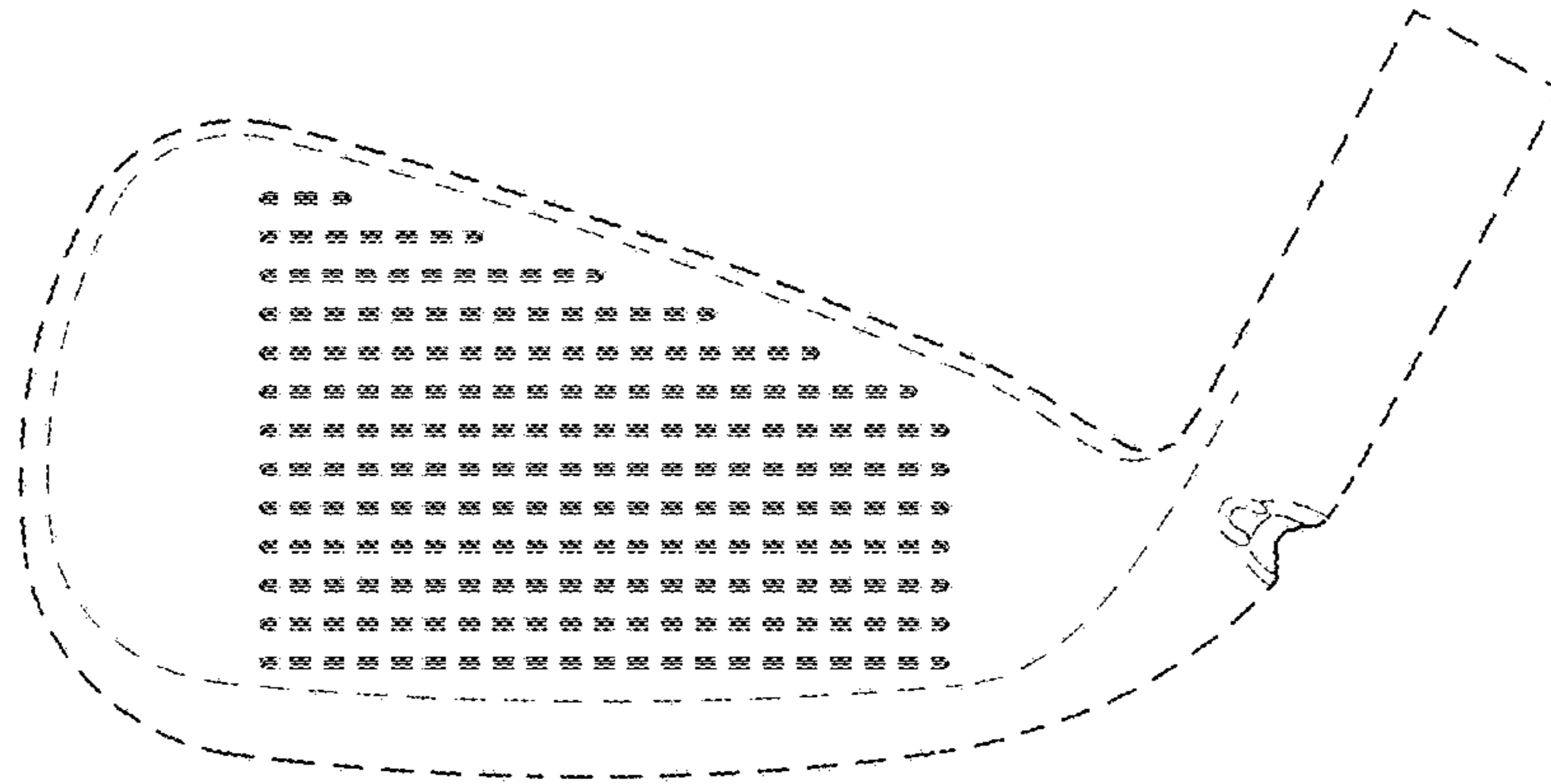


Fig. 3

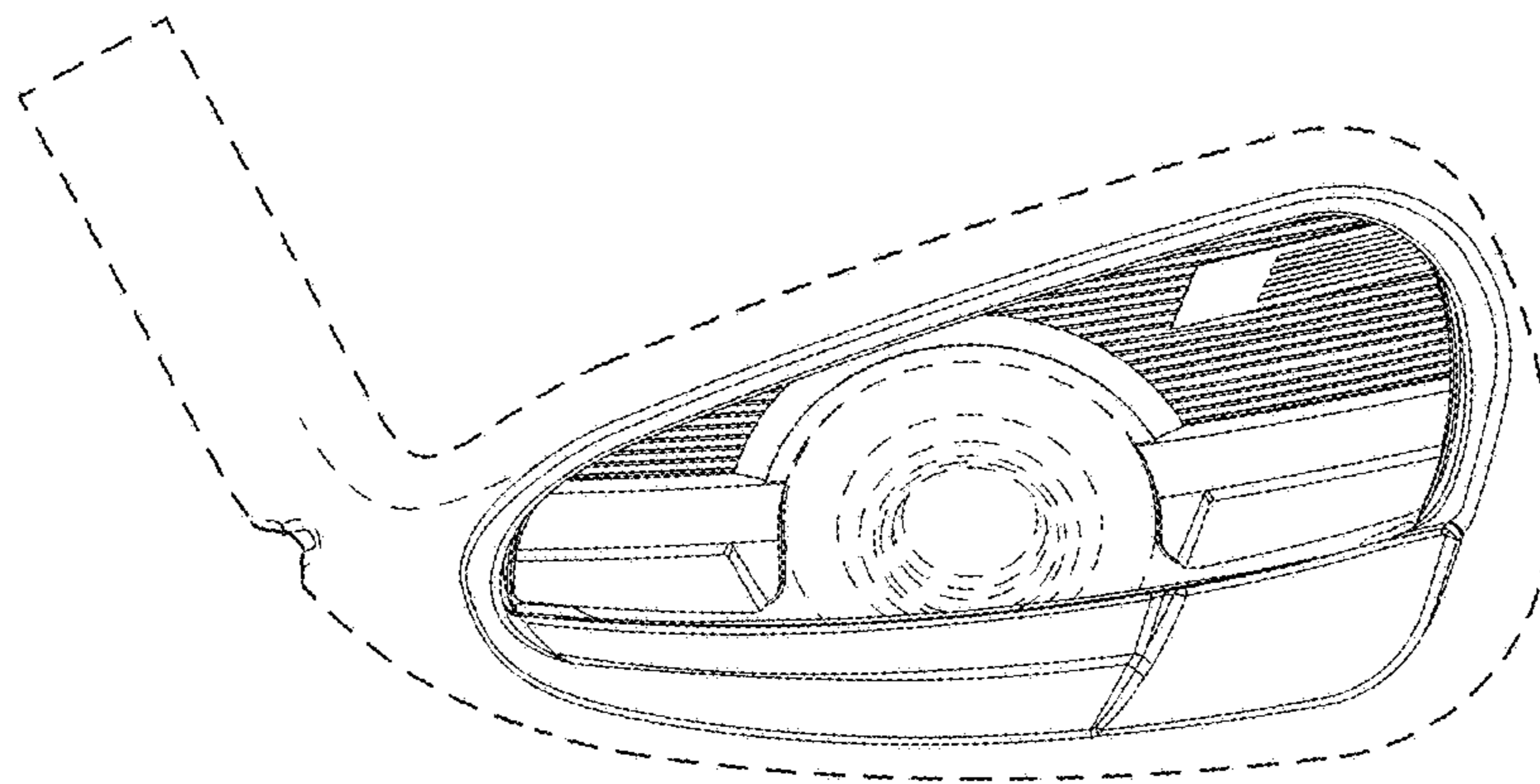


Fig. 4

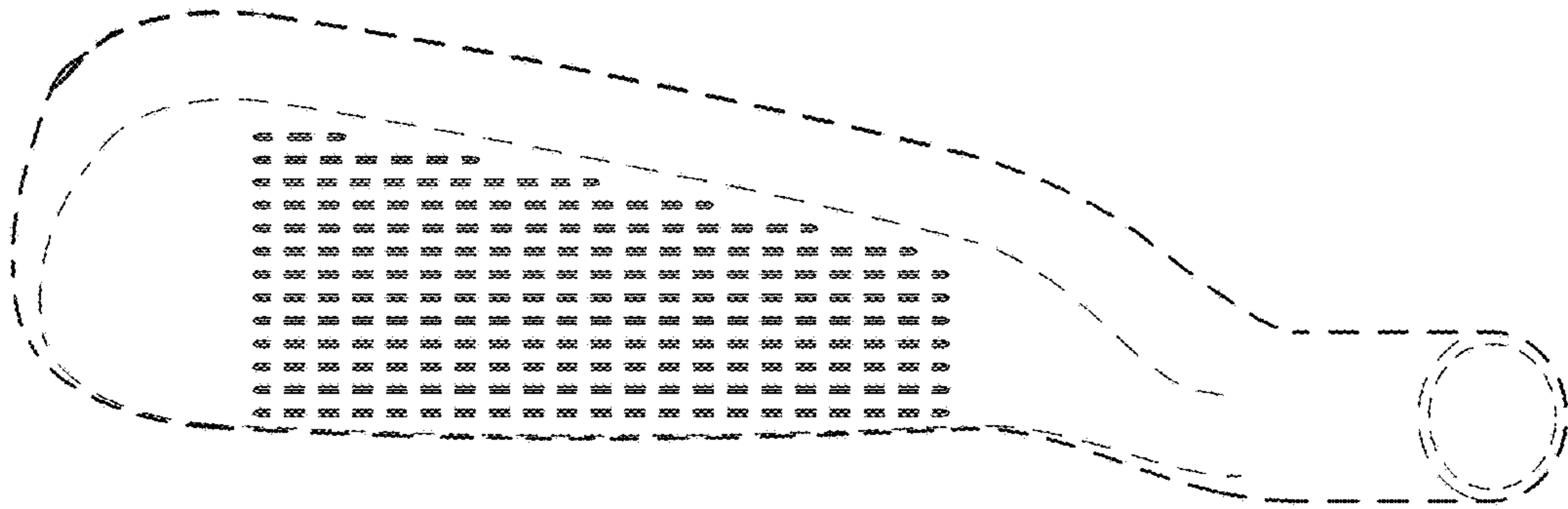


Fig. 5

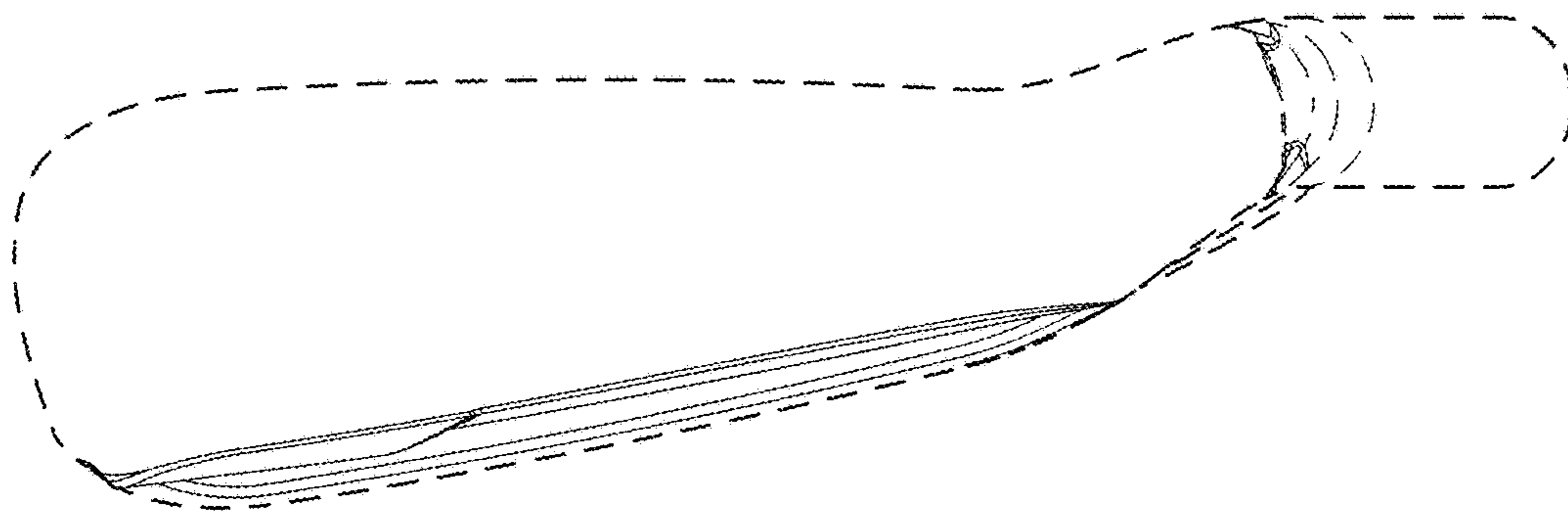


Fig. 6



Fig. 7

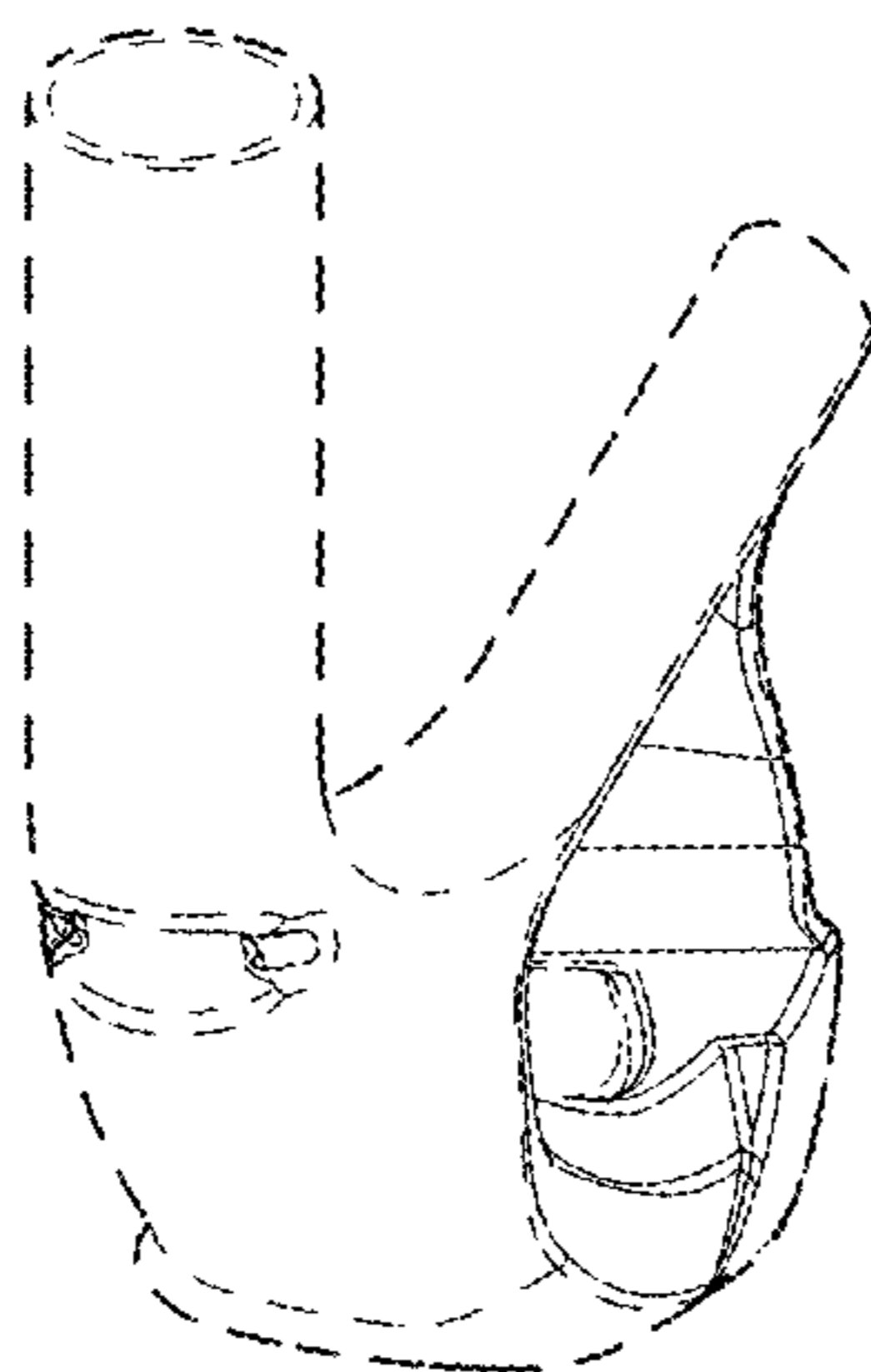


Fig. 8