



US00D795365S

(12) **United States Design Patent** (10) **Patent No.:** **US D795,365 S**
Peritz et al. (45) **Date of Patent:** **** Aug. 22, 2017**

(54) **EXERCISE DISC WITH CASTERS**

(56) **References Cited**

(71) Applicant: **Hat Fitness, LLC**, San Diego, CA (US)

U.S. PATENT DOCUMENTS

(72) Inventors: **Robert Peritz**, San Diego, CA (US);
Yuval Shenkal, San Diego, CA (US);
John Grimm, San Diego, CA (US)

D134,341 S * 11/1942 Churchill D21/688
4,653,748 A * 3/1987 Seel A63B 21/0004
482/146
D309,811 S * 8/1990 Terrizzi D34/23
5,603,334 A * 2/1997 Sharp A61B 5/103
482/146
D381,171 S * 7/1997 Culverson D34/23
D389,973 S * 1/1998 Murray 280/79.3

(73) Assignee: **Hat Fitness, LLC**, San Diego, CA (US)

(Continued)

(**) Term: **15 Years**

(21) Appl. No.: **29/531,761**

OTHER PUBLICATIONS

(22) Filed: **Jun. 29, 2015**

FlexDisc by FlexDisc dated no date given. Found online [Jan. 18, 2017] <http://flexdiscfit.com/>.*

(51) **LOC (10) Cl.** **21-02**

(52) **U.S. Cl.**
USPC **D21/689**

Primary Examiner — Robert M Spear
Assistant Examiner — Ryan Harvey
(74) *Attorney, Agent, or Firm* — Lewis Kohn & Walker LLP; David M. Kohn; Kari Moyer-Henry

(58) **Field of Classification Search**

USPC D21/797, 694, 671, 686, 698, 699, 680,
D21/685, 692, 687, 689, 318, 688, 412,
D21/333, 683, 798; D8/330, 1, 16;
482/142, 52, 51, 30, 74, 91, 140, 25, 94,
482/122; D19/37, 64, 59; D9/624, 629;
D14/417, 496; 15/104.93, 105, 118,
15/229.11, 208; D25/139, 155, 62, 65;
D6/349, 582, 598, 335, 350, 583, 588,
D6/585; 99/472, 467; D34/23, 1;
297/461, 223, 423.41; 269/289 R, 13, 15,
269/14; 206/501, 256, 272.8, 308.2, 330,
206/60, 213; 248/678; D7/698, 699,
D7/629, 388; 220/4.26; 217/3 R;
D24/190, 191, 192, 167; D17/99;
D3/294, 282, 905; D30/118; 182/33;
D99/17, 1; 451/534, 539; 446/117, 69;
473/278
CPC A63B 22/001; A63B 22/0664; A63B
23/0211; A63B 21/225; A63B 2022/067;
A63B 21/4035; A63B 2210/50; A63B
22/0015; A63B 2208/0204; A63B
21/4047; A63B 2208/0233; A63B
21/0552; A63B 22/0056

See application file for complete search history.

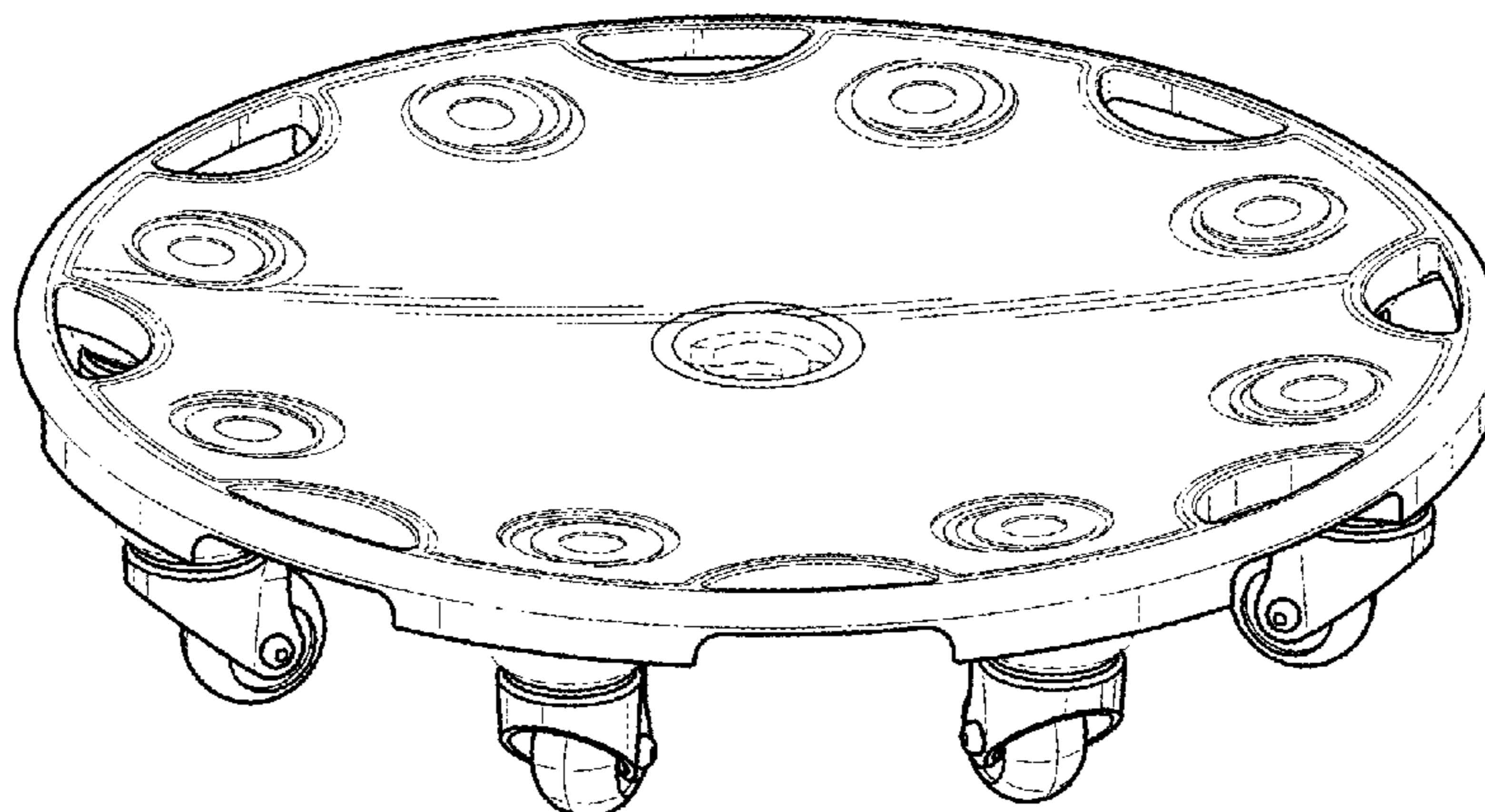
(57) **CLAIM**

The ornamental design for an exercise disc with casters, as shown and described.

DESCRIPTION

FIG. 1 is a perspective view of the exercise disc with casters of the present invention;
FIG. 2 is a top view of the exercise disc with casters shown in FIG. 1;
FIG. 3 is a bottom view of the exercise disc with casters shown in FIG. 1; and,
FIG. 4 is a side view of the exercise disc with casters shown in FIG. 1.
Any broken line illustration of environmental structure in the drawings is not part of the claimed design.

1 Claim, 4 Drawing Sheets



(56)

References Cited

U.S. PATENT DOCUMENTS

6,019,712	A *	2/2000	Duncan	A63B 21/0004	446/168
D489,423	S *	5/2004	Fan	D21/688	
D493,500	S *	7/2004	Dalebout	D21/671	
D507,026	S *	7/2005	Chen	D21/671	
D513,353	S *	12/2005	Pederson	D34/28	
D517,136	S *	3/2006	Chen	D21/671	
7,137,938	B2 *	11/2006	Gottlieb	A63B 21/0004	482/146
D549,920	S *	8/2007	Dukes	D34/23	
7,264,580	B2 *	9/2007	Lu	A63B 21/0004	482/146
D568,423	S *	5/2008	Y'shua	D21/662	
D601,643	S *	10/2009	Byle	D21/662	
D612,896	S *	3/2010	Talley	D21/686	
7,806,807	B2 *	10/2010	Genua	A63B 21/0004	482/146
D627,015	S *	11/2010	Senegal	D21/662	
D629,580	S *	12/2010	Kalajyan	D34/17	
D634,377	S *	3/2011	Byle	D21/662	
7,909,745	B2 *	3/2011	Mills	A63B 21/00069	482/126
D651,263	S *	12/2011	Kulzer	D21/686	
D652,460	S *	1/2012	Kulzer	D21/686	
D660,928	S *	5/2012	Guarrasi	D21/686	
D681,738	S *	5/2013	Richmond	D20/42	
8,702,570	B1	4/2014	DelPriore et al.			
D748,201	S *	1/2016	Orenstein	D21/419	
2004/0018924	A1 *	1/2004	Szydowski	A63B 21/0004	482/146
2007/0270296	A1 *	11/2007	Caldicott	A63B 22/14	482/146
2010/0267533	A1 *	10/2010	Susnjara	A63B 21/0004	482/142
2011/0105288	A1 *	5/2011	Susnjara	A63B 21/0004	482/142
2011/0143896	A1 *	6/2011	Senegal	A63B 22/18	482/139
2012/0252645	A1 *	10/2012	Agostini	A63B 22/18	482/132
2013/0017937	A1 *	1/2013	Guarrasi	A63B 26/00	482/142
2013/0023391	A1 *	1/2013	Nicholas	A63B 21/0004	482/132
2013/0281273	A1	10/2013	Susnjara			
2014/0051553	A1	2/2014	Hetzel			
2014/0162859	A1 *	6/2014	Cheng	A63B 26/003	482/142

* cited by examiner

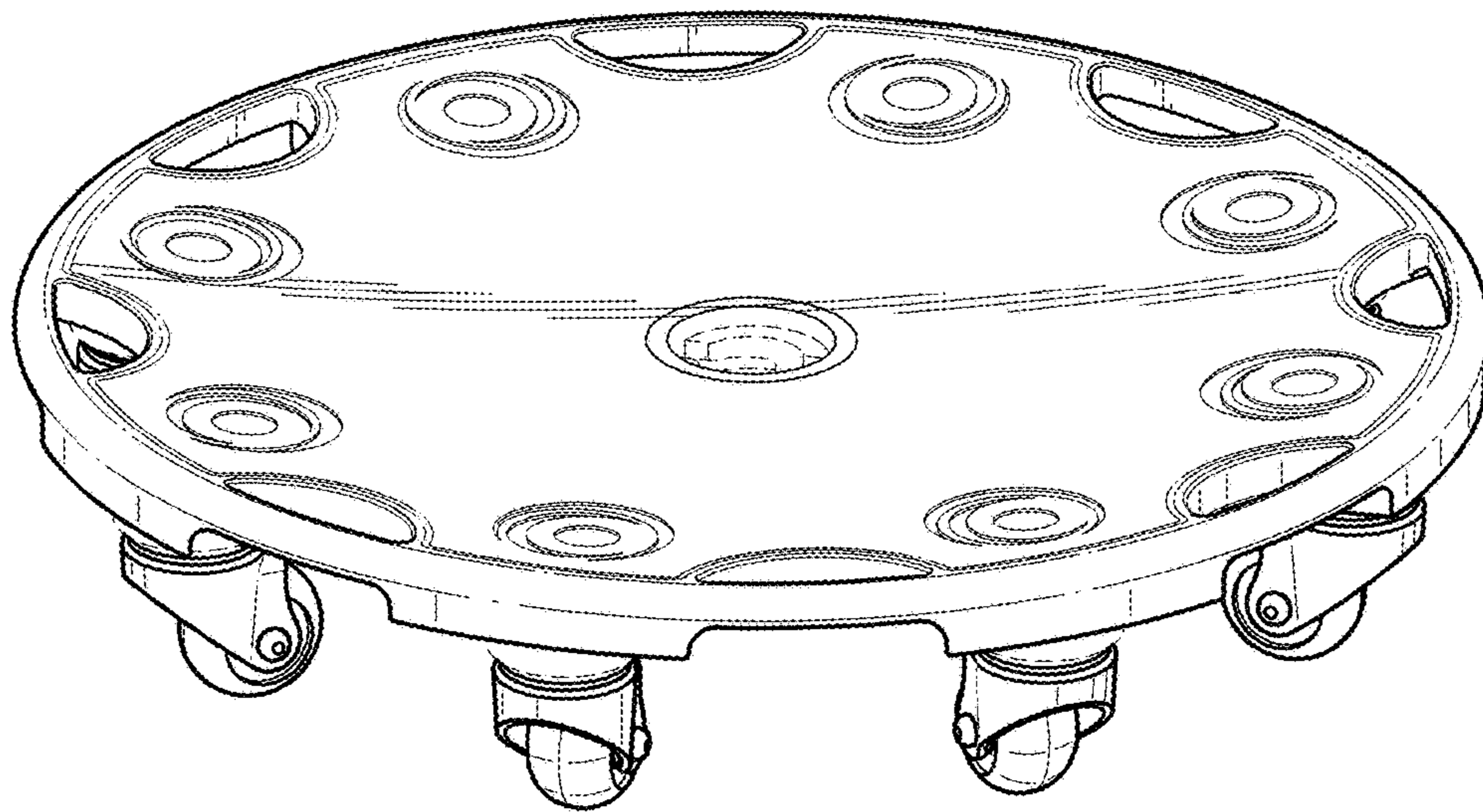


FIG. 1

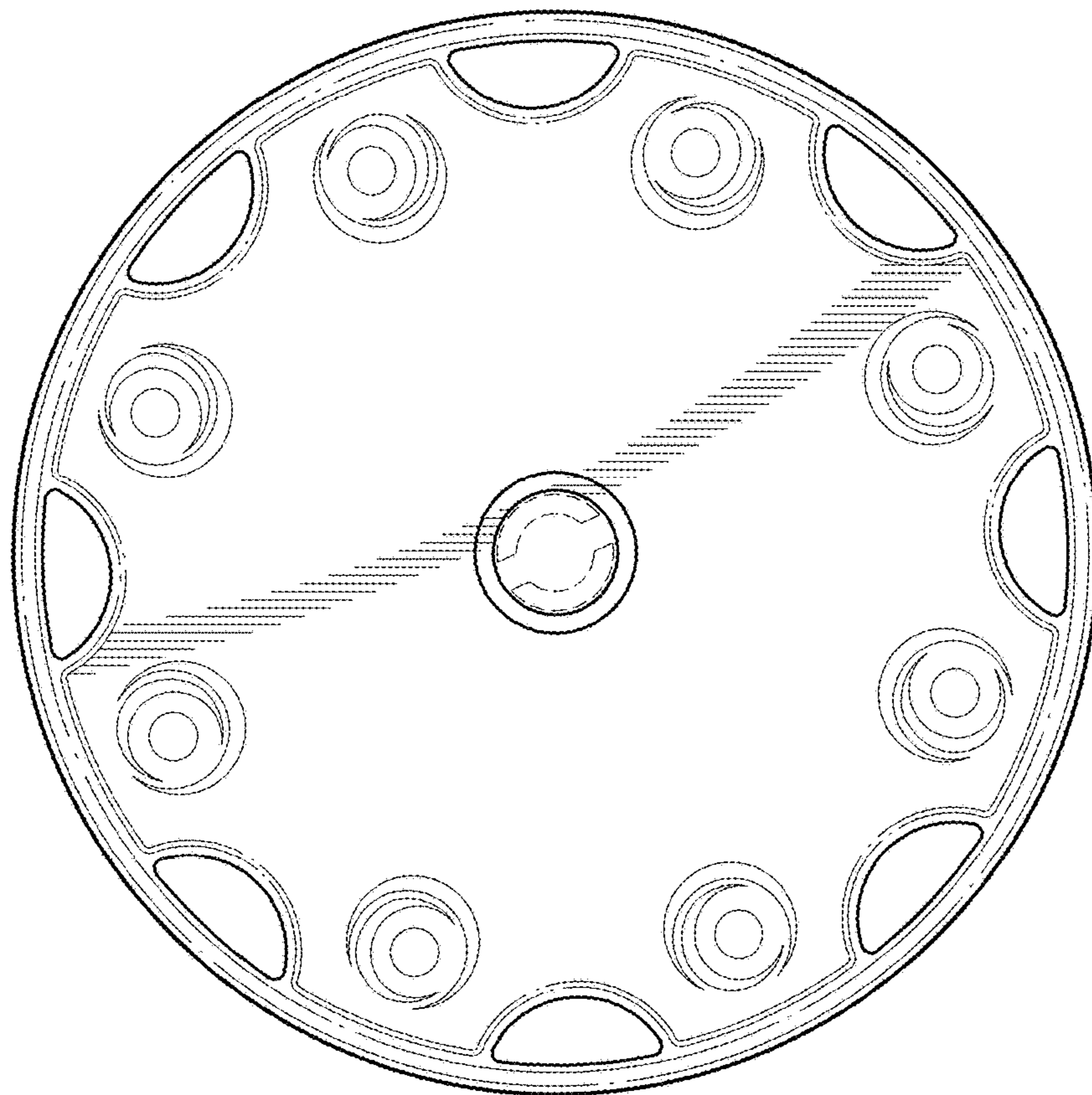


FIG. 2

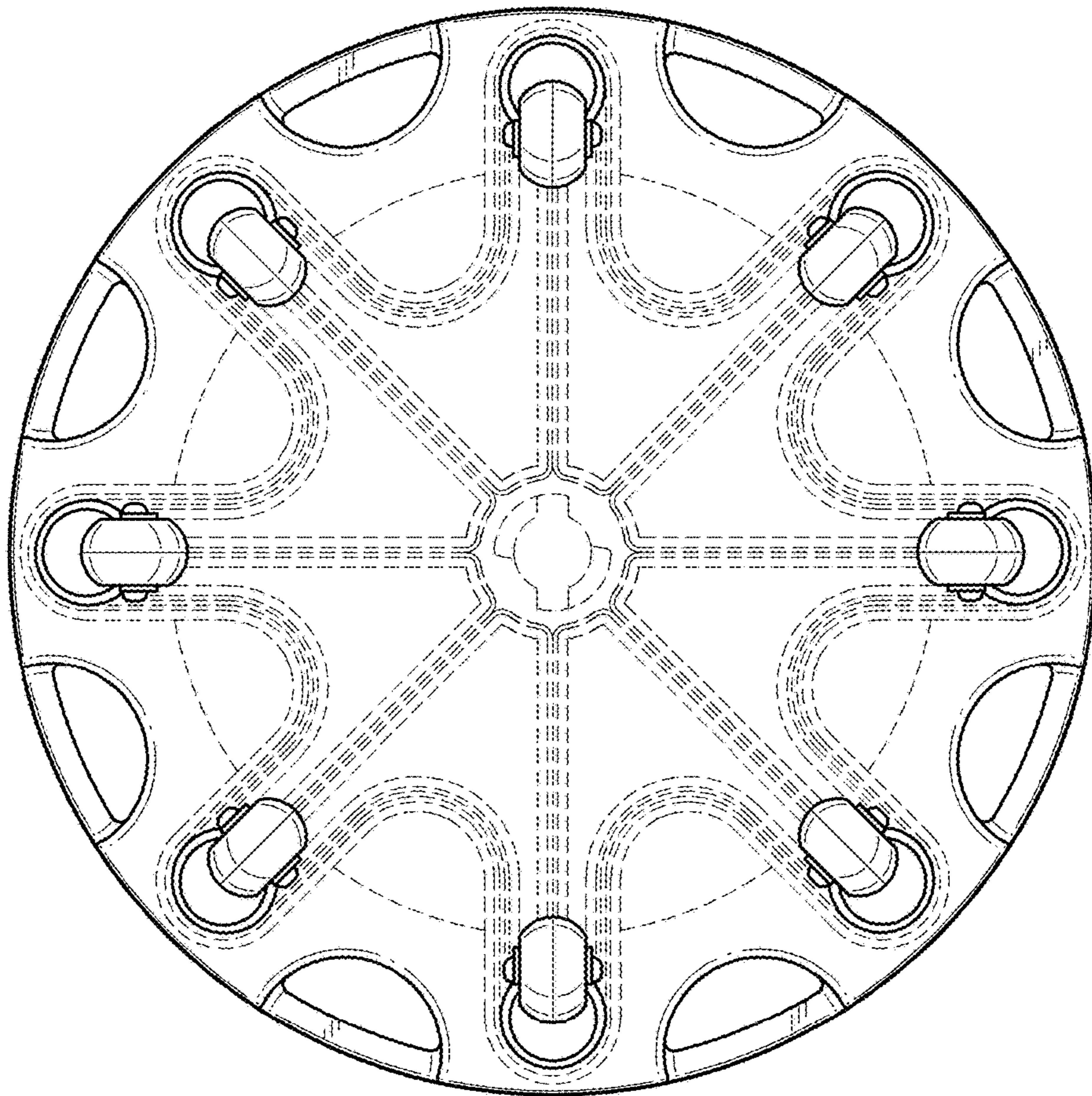


FIG. 3

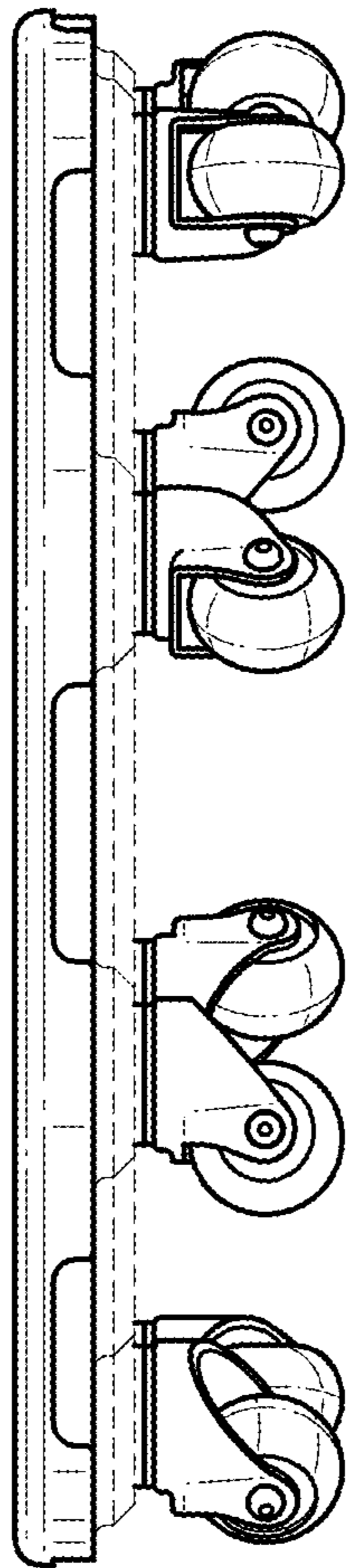


FIG. 4