



US00D795361S

(12) **United States Design Patent**
Liu et al.

(10) **Patent No.:** **US D795,361 S**
(45) **Date of Patent:** **** Aug. 22, 2017**

(54) **CONSTRUCTION SET BLOCK**
(71) Applicant: **UBTECH Robotics Corp.**, Shenzhen (CN)
(72) Inventors: **Lefeng Liu**, Shenzhen (CN); **Yumiao Wu**, Shenzhen (CN); **Dingkai Xing**, Shenzhen (CN); **Xiongyuan Fang**, Shenzhen (CN); **Xinpu Chen**, Shenzhen (CN)
(73) Assignee: **UBTECH ROBOTICS CORP.**, Shenzhen (CN)

D309,927 S * 8/1990 Ryaa D21/500
D330,261 S * 10/1992 Wertz D25/113
D335,155 S * 4/1993 Pedersen D21/500
5,427,558 A * 6/1995 Knudsen A63H 33/042
446/102
5,871,384 A * 2/1999 Kichijo A63H 33/062
446/112
5,951,356 A * 9/1999 Cyrus A63H 18/00
446/110
D417,705 S * 12/1999 Rudy D21/501
D617,396 S * 6/2010 Nielsen D21/500
D716,879 S * 11/2014 Norman D21/486
D731,449 S * 6/2015 Norman D13/184
D740,368 S * 10/2015 Norman D13/158

(**) Term: **15 Years**

* cited by examiner

(21) Appl. No.: **29/576,596**

Primary Examiner — Cynthia M Chin

(22) Filed: **Sep. 6, 2016**

(30) **Foreign Application Priority Data**

Mar. 24, 2016 (CN) 2016 1 0173650

(51) **LOC (10) Cl.** **21-01**

(52) **U.S. Cl.**
USPC **D21/499**; D21/501

(58) **Field of Classification Search**
USPC D21/478, 479, 484, 485–505; 446/69, 446/85, 102–128; 434/208, 259, 403; 273/153, 156, 160; 428/174
CPC A63H 33/00; A63H 33/04; A63H 33/06; A63H 33/08; A63H 33/10; A63H 33/12; A63H 33/14; A63F 9/08; A63F 9/12; G09B 1/36
See application file for complete search history.

(56) **References Cited**

U.S. PATENT DOCUMENTS

D234,964 S * 4/1975 Menke D21/500
D305,442 S * 1/1990 Knudsen D21/500

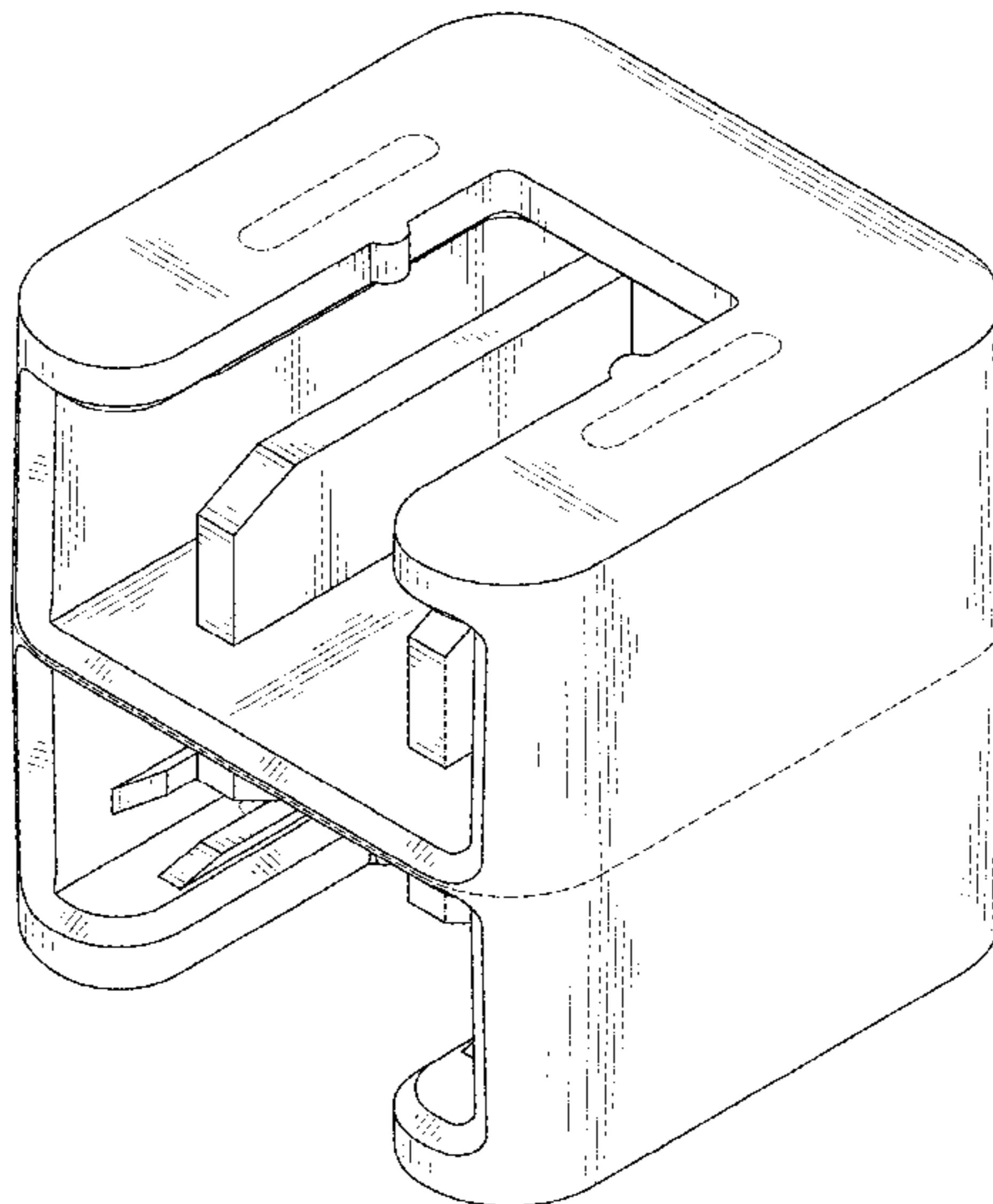
(57) **CLAIM**

The ornamental design for a construction set block, as shown and described.

DESCRIPTION

FIG. 1 is a perspective view of a construction set block showing our new design;
FIG. 2 is a front elevational view of FIG. 1;
FIG. 3 is a rear elevational view of FIG. 1;
FIG. 4 is a left side elevational view of FIG. 1;
FIG. 5 is a right side elevational view of FIG. 1;
FIG. 6 is a top plan view of FIG. 1; and,
FIG. 7 is a bottom plan view of FIG. 1.
The broken lines are for the purpose of illustrating portions of the article that form no part of the claim.

1 Claim, 7 Drawing Sheets



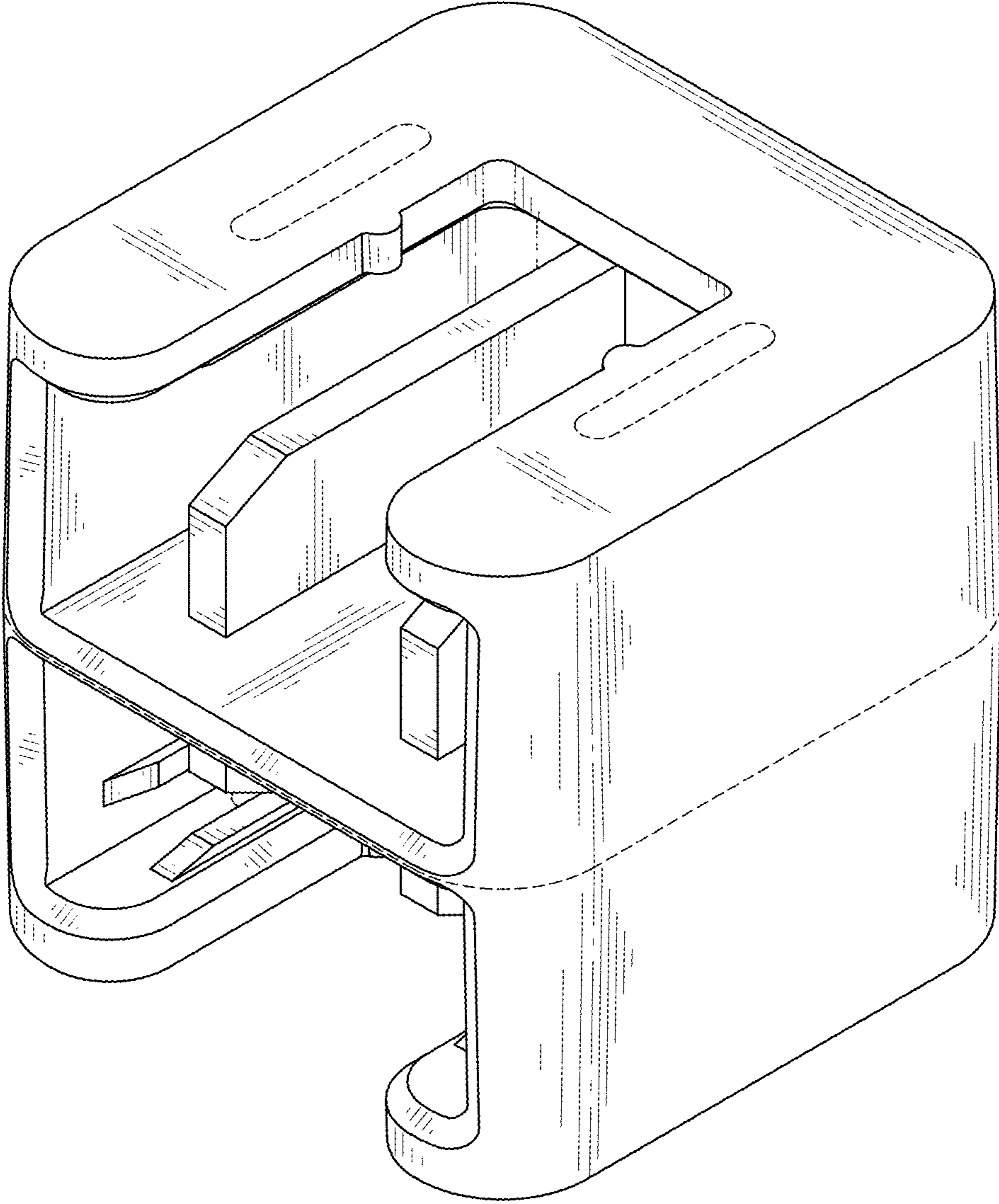


FIG. 1

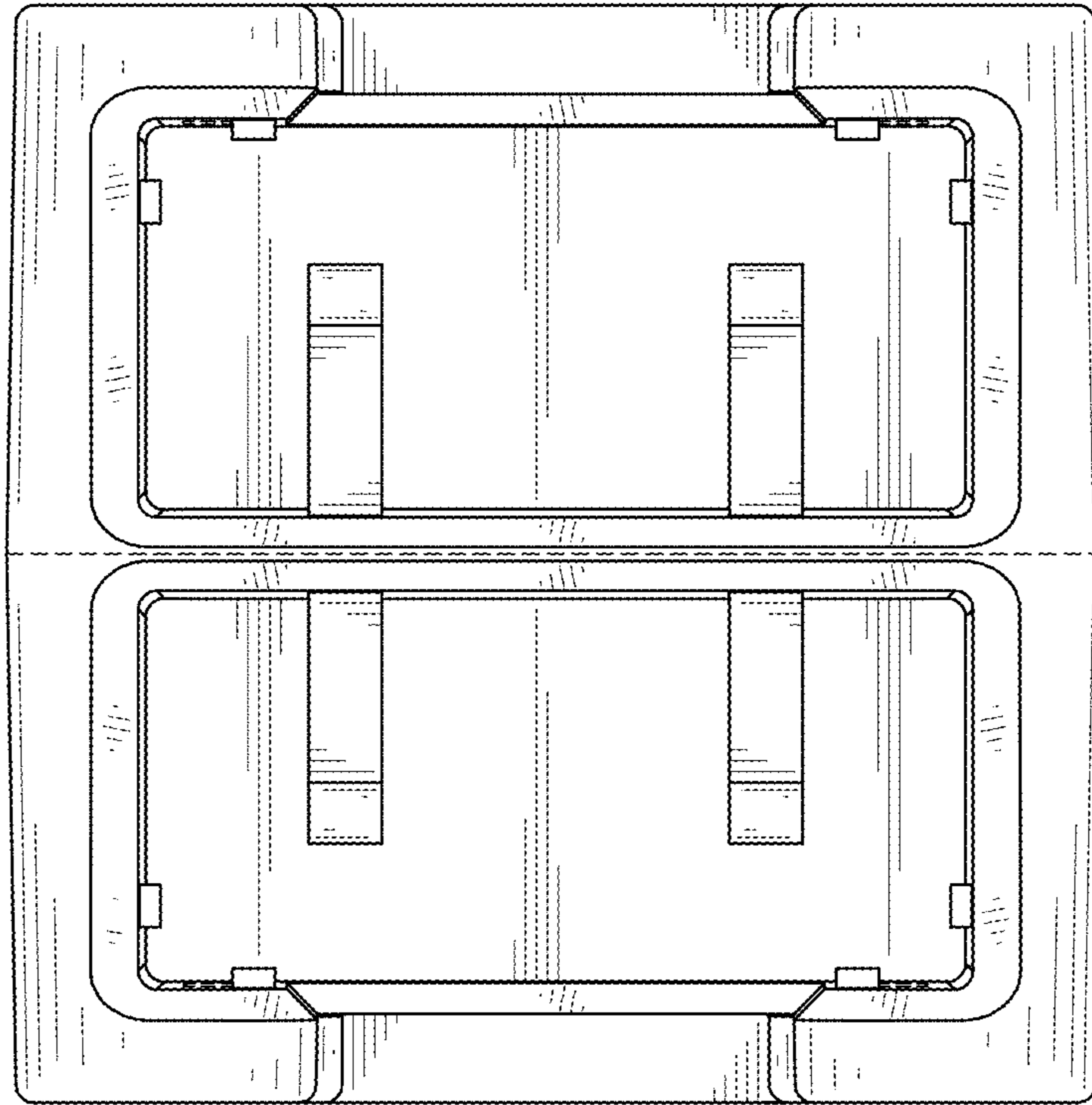


FIG. 2

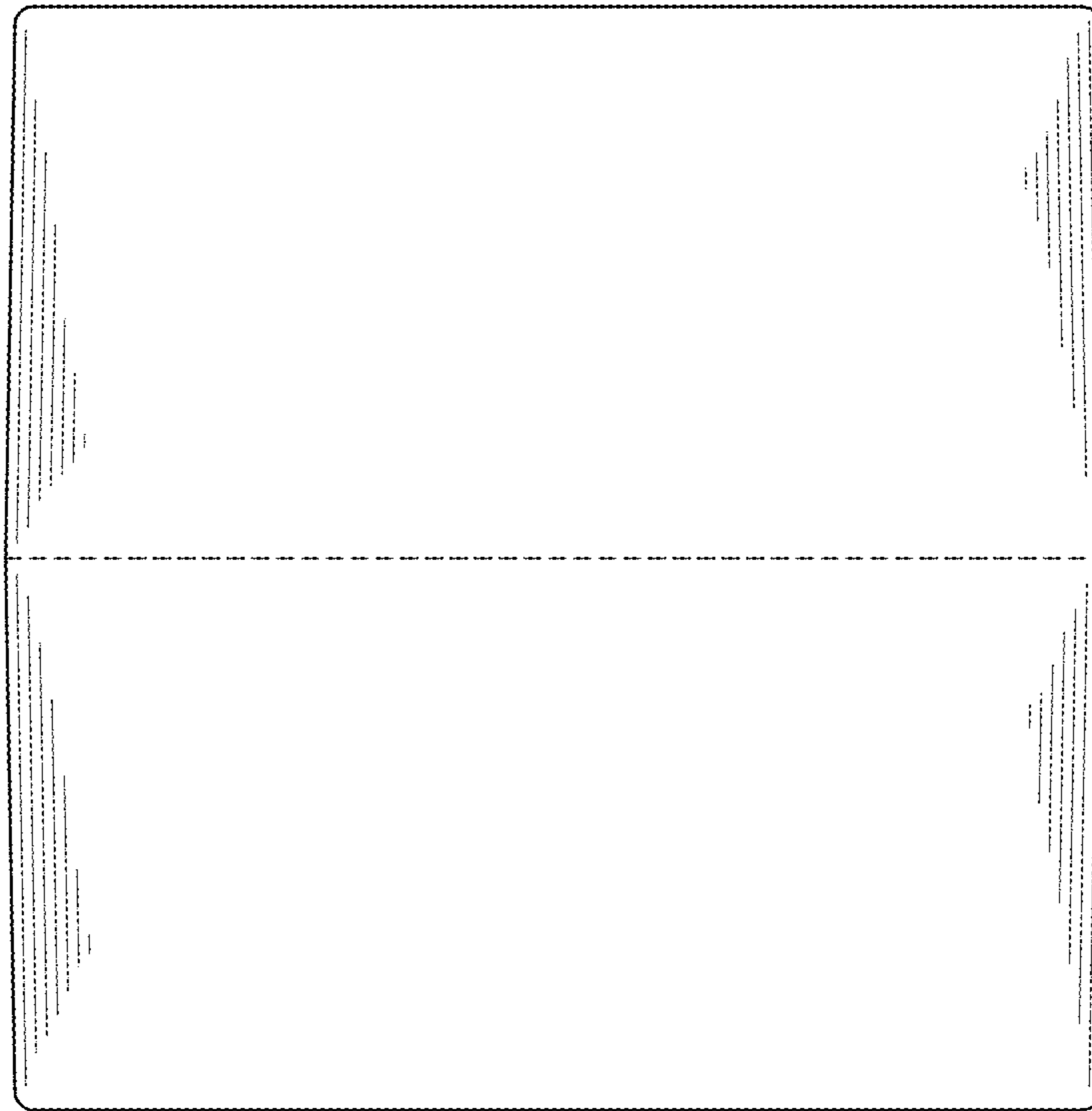


FIG. 3

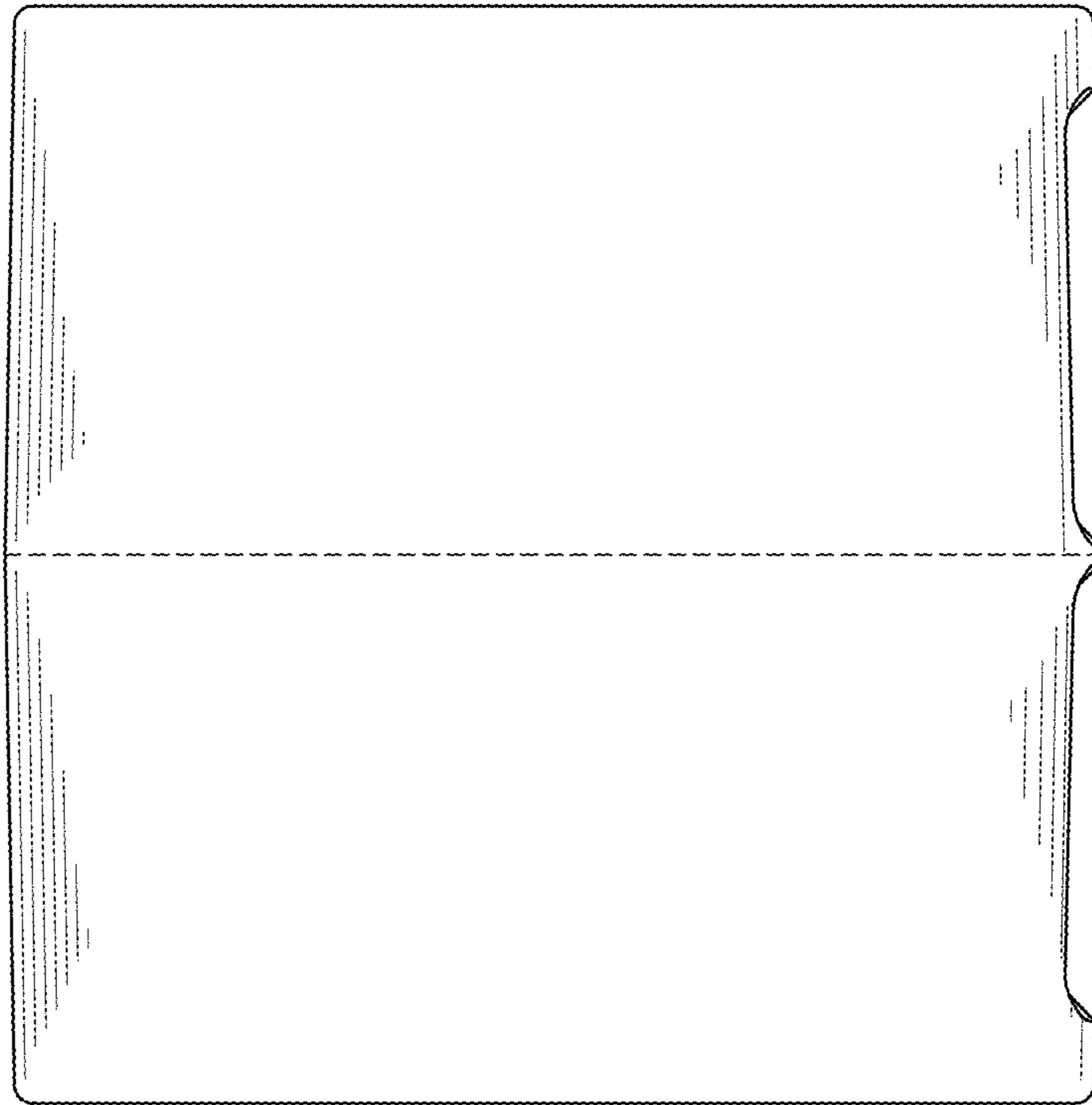


FIG. 4

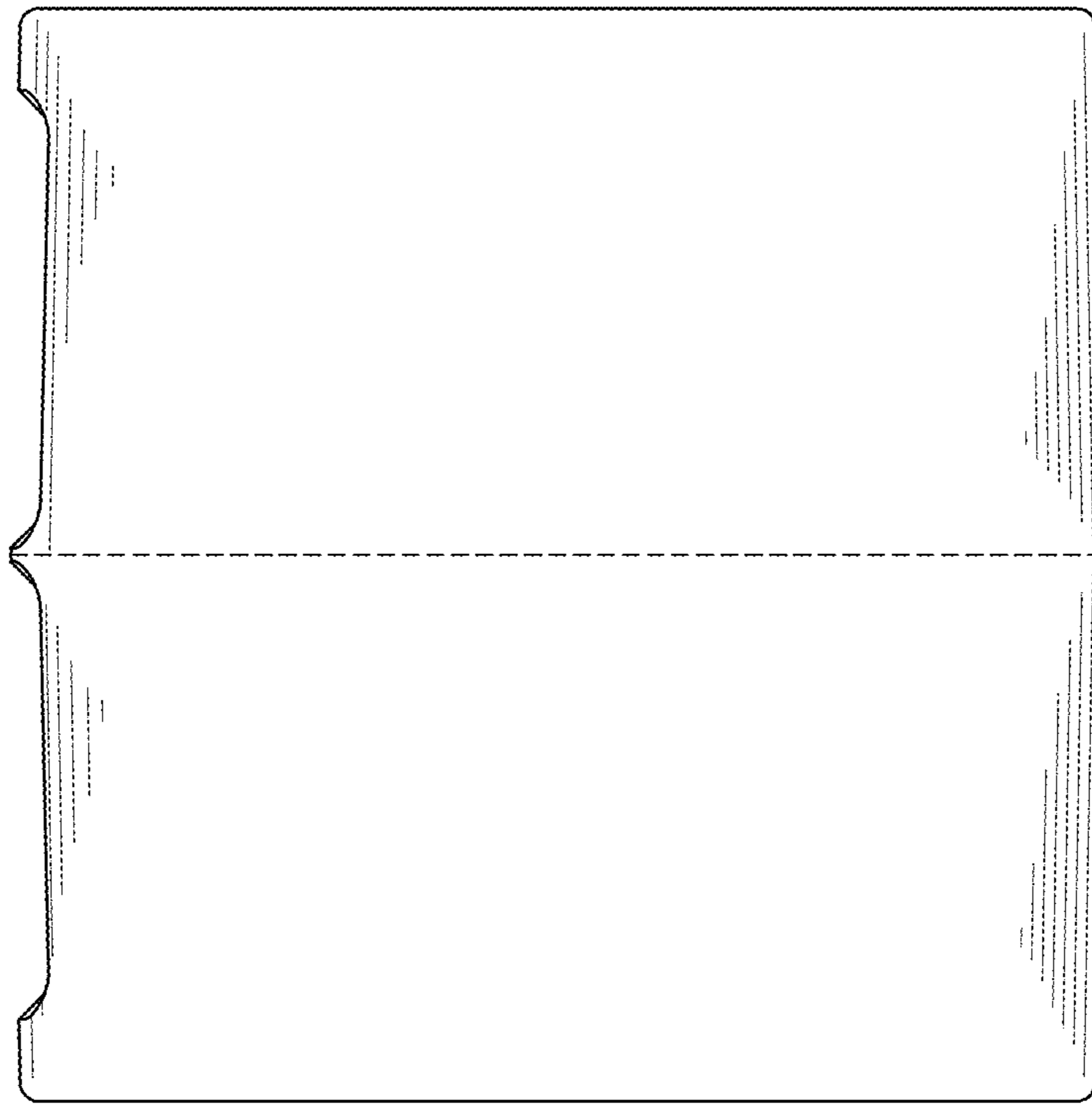


FIG. 5

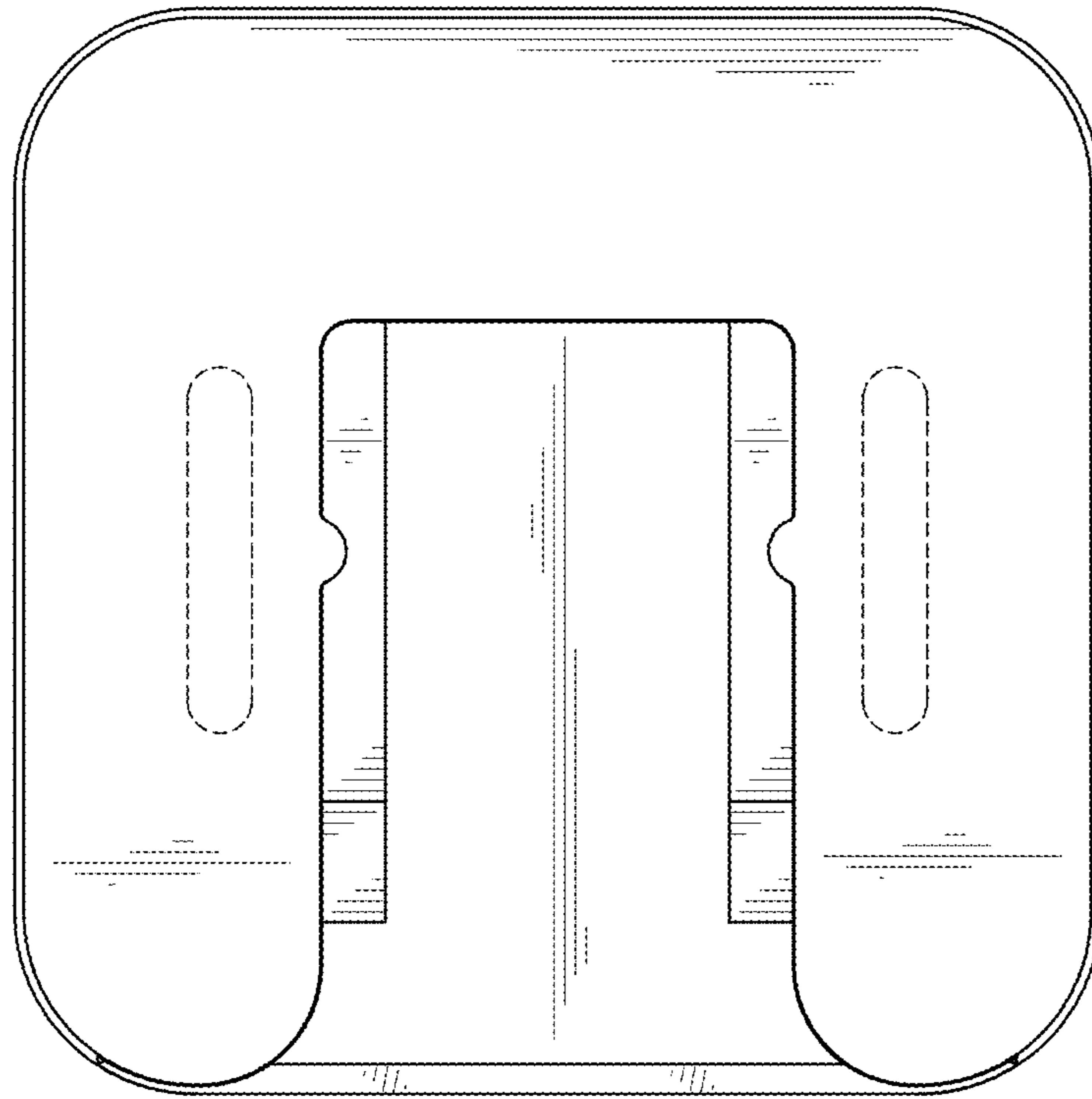


FIG. 6

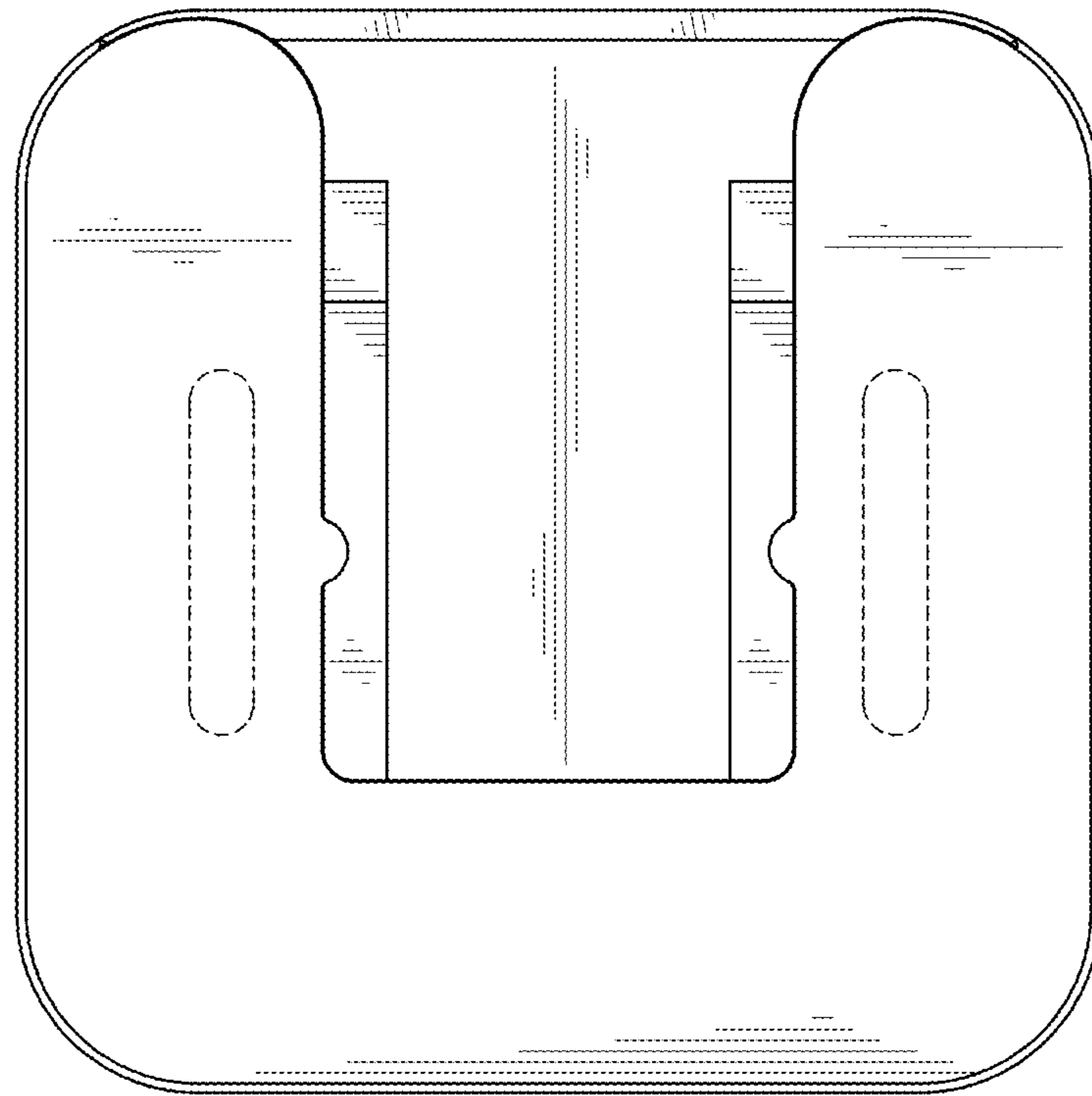


FIG. 7