



US00D795354S

(12) **United States Design Patent** (10) **Patent No.:** **US D795,354 S**
Desberg (45) **Date of Patent:** **** Aug. 22, 2017**

- (54) **SCOOTER**
- (71) Applicant: **RAZOR USA LLC**, Cerritos, CA (US)
- (72) Inventor: **Ian Desberg**, Cerritos, CA (US)
- (73) Assignee: **RAZOR USA LLC**, Cerritos, CA (US)
- (**) Term: **15 Years**
- (21) Appl. No.: **29/587,088**
- (22) Filed: **Dec. 9, 2016**

4,244,592 A	1/1981	Lohr
4,261,588 A	4/1981	Kassai
4,264,080 A	4/1981	Kassai
4,424,978 A	1/1984	Kassai
4,568,307 A	2/1986	Gabler
D295,208 S	4/1988	Vallejo
5,334,078 A	8/1994	Hippely
5,626,506 A	5/1997	Halford
D552,186 S	10/2007	Hong
D552,187 S	10/2007	Hong
D564,037 S	3/2008	Cramer

(Continued)

FOREIGN PATENT DOCUMENTS

DE 20007052 U1 9/2000

OTHER PUBLICATIONS

PCT Search Report for international application No. PCT/US2015/053597 mailed Dec. 11, 2015.

Primary Examiner — Cynthia M Chin

(74) *Attorney, Agent, or Firm* — Knobbe, Martens, Olson & Bear, LLP

(57) **CLAIM**

The ornamental design for a scooter, as shown and described.

DESCRIPTION

FIG. 1 is a perspective view showing a front, side and top surface of a scooter.

FIG. 2 is a front view of the scooter of FIG. 1.

FIG. 3 is a rear view of the scooter of FIG. 1.

FIG. 4 is a right side view of the scooter of FIG. 1.

FIG. 5 is a left side view of the scooter of FIG. 1.

FIG. 6 is a top view of the scooter of FIG. 1; and,

FIG. 7 is a bottom view of the scooter of FIG. 1.

Where utilized, the broken lines show portions of the scooter that form no part of the claimed design.

1 Claim, 7 Drawing Sheets

Related U.S. Application Data

(63) Continuation of application No. 29/558,537, filed on Mar. 18, 2016, now Pat. No. Des. 777,261, which is a continuation of application No. 29/536,923, filed on Aug. 20, 2015, now abandoned, which is a continuation of application No. 29/503,935, filed on Sep. 30, 2014, now abandoned.

(51) **LOC (10) Cl.** **21-01**

(52) **U.S. Cl.**

USPC **D21/423**

(58) **Field of Classification Search**

USPC D21/419, 421, 423, 426–428, 435, D21/668–671, 760, 765, 771; D12/1, 8, D12/108, 111, 112, 113

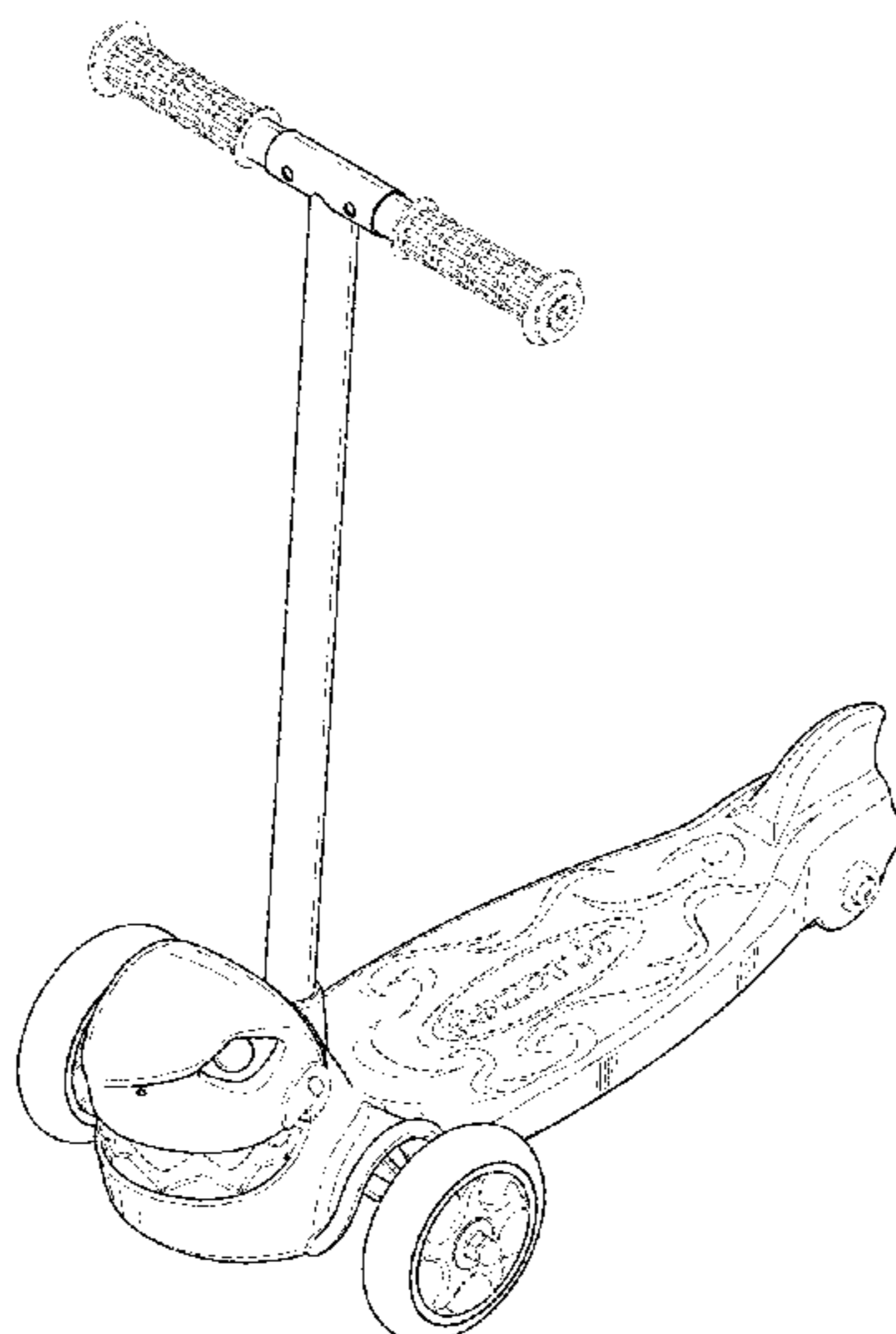
CPC . B62K 3/002; B62K 9/00; B62K 9/02; B62K 13/00; B62K 2202/00

See application file for complete search history.

(56) **References Cited**

U.S. PATENT DOCUMENTS

757,834 A	4/1904	Lippy et al.
862,015 A	7/1907	Pittman
1,223,372 A	4/1917	Di Zerega
1,447,953 A	3/1923	Frederick
1,483,033 A	2/1924	Wisman
1,499,884 A	7/1924	Singer
2,201,440 A	5/1940	Letourneau
2,512,533 A	6/1950	Savage



(56)

References Cited

U.S. PATENT DOCUMENTS

D579,987	S	11/2008	Hong	
7,722,430	B2	5/2010	Hippely	
D638,486	S	5/2011	Scolari et al.	
D638,494	S	5/2011	Scolari et al.	
7,988,524	B2	8/2011	Sitarski	
D654,964	S *	2/2012	Herlitz	D21/423
D665,034	S	8/2012	Grossman	
D672,400	S	12/2012	Pizzi	
8,469,374	B2	6/2013	Graf Von Bismarck	
D698,868	S	2/2014	Chan	
8,733,769	B1	5/2014	Rogers	
8,985,602	B2 *	3/2015	Chan	B62K 3/002 280/87.041
D728,033	S	4/2015	O'Connell	
9,022,398	B1	5/2015	Harris	
D736,861	S	8/2015	Eckert	
D738,435	S	9/2015	O'Connell	
9,162,724	B2	10/2015	Desberg	
D777,261	S	1/2017	Desberg	
9,592,876	B2 *	3/2017	Lovley, II	B62K 3/002
9,623,930	B2 *	4/2017	Desberg	B62K 19/00
2006/0001227	A1	1/2006	Hong	
2006/0066066	A1	3/2006	Lim	
2012/0018967	A1 *	1/2012	Chen	A63C 17/04 280/87.041
2015/0114167	A1	4/2015	Desberg	
2015/0166138	A1 *	6/2015	Lovley, II	B62K 3/002 180/210

* cited by examiner

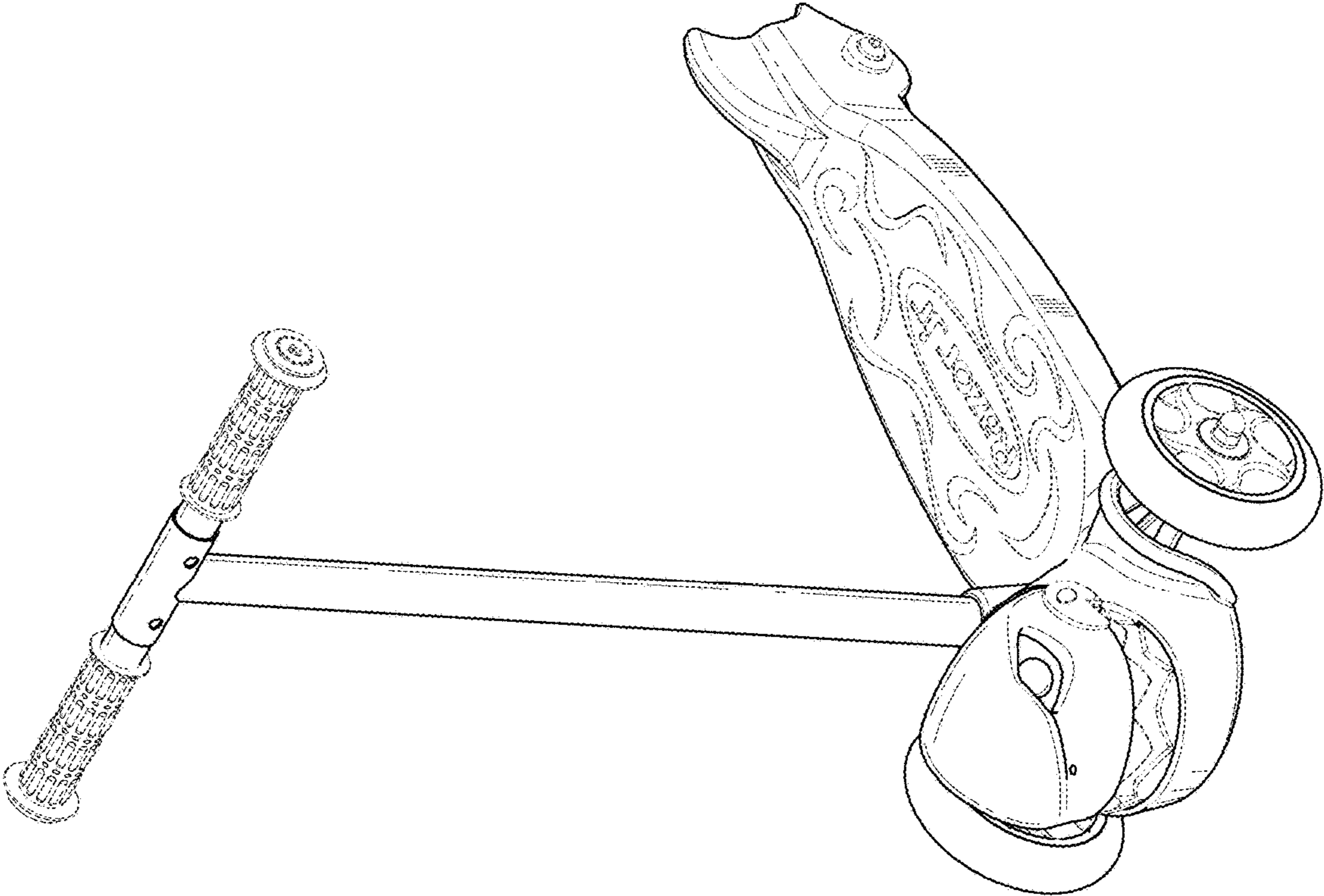


FIG. 1

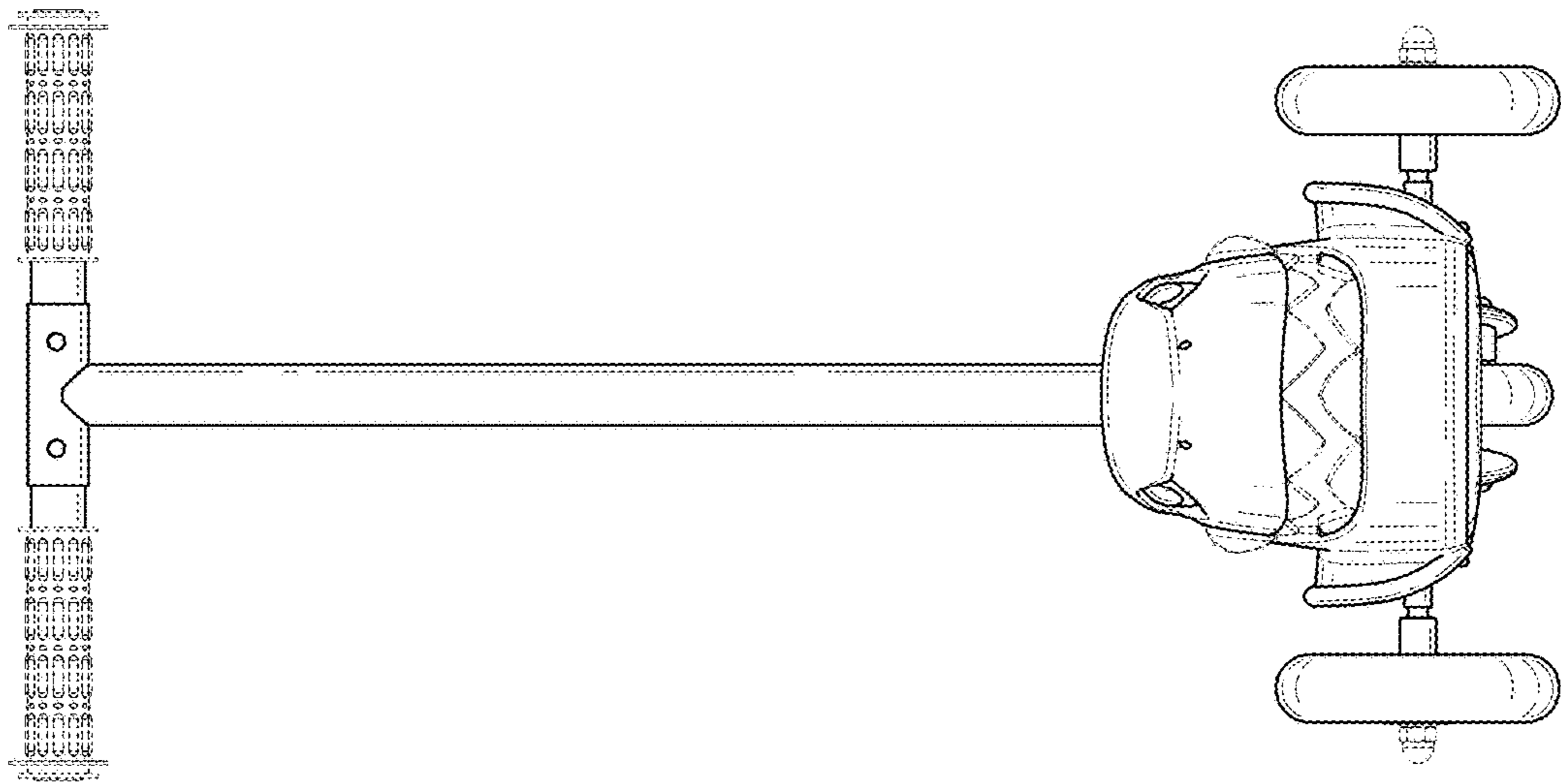


FIG. 2

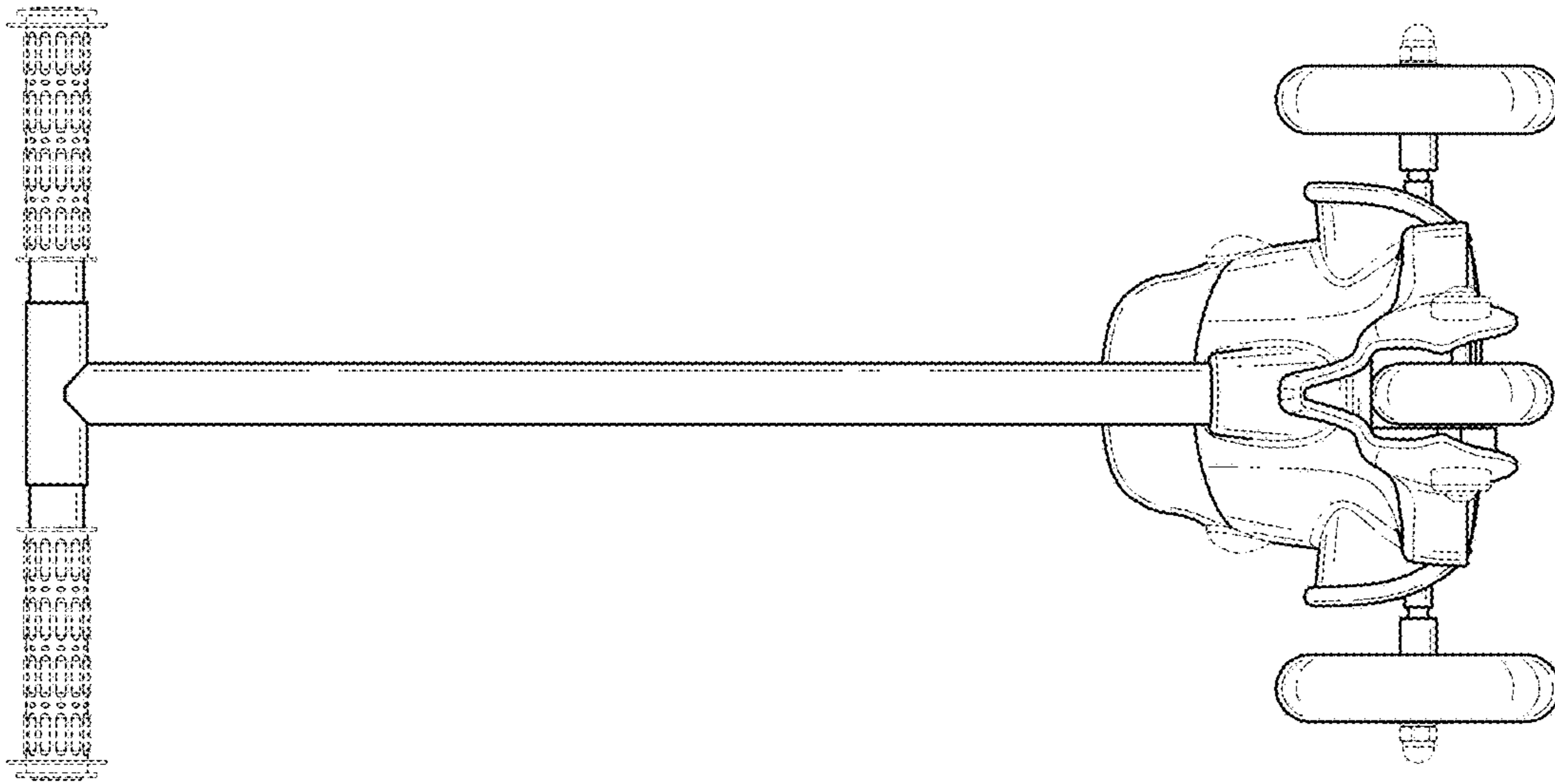


FIG. 3

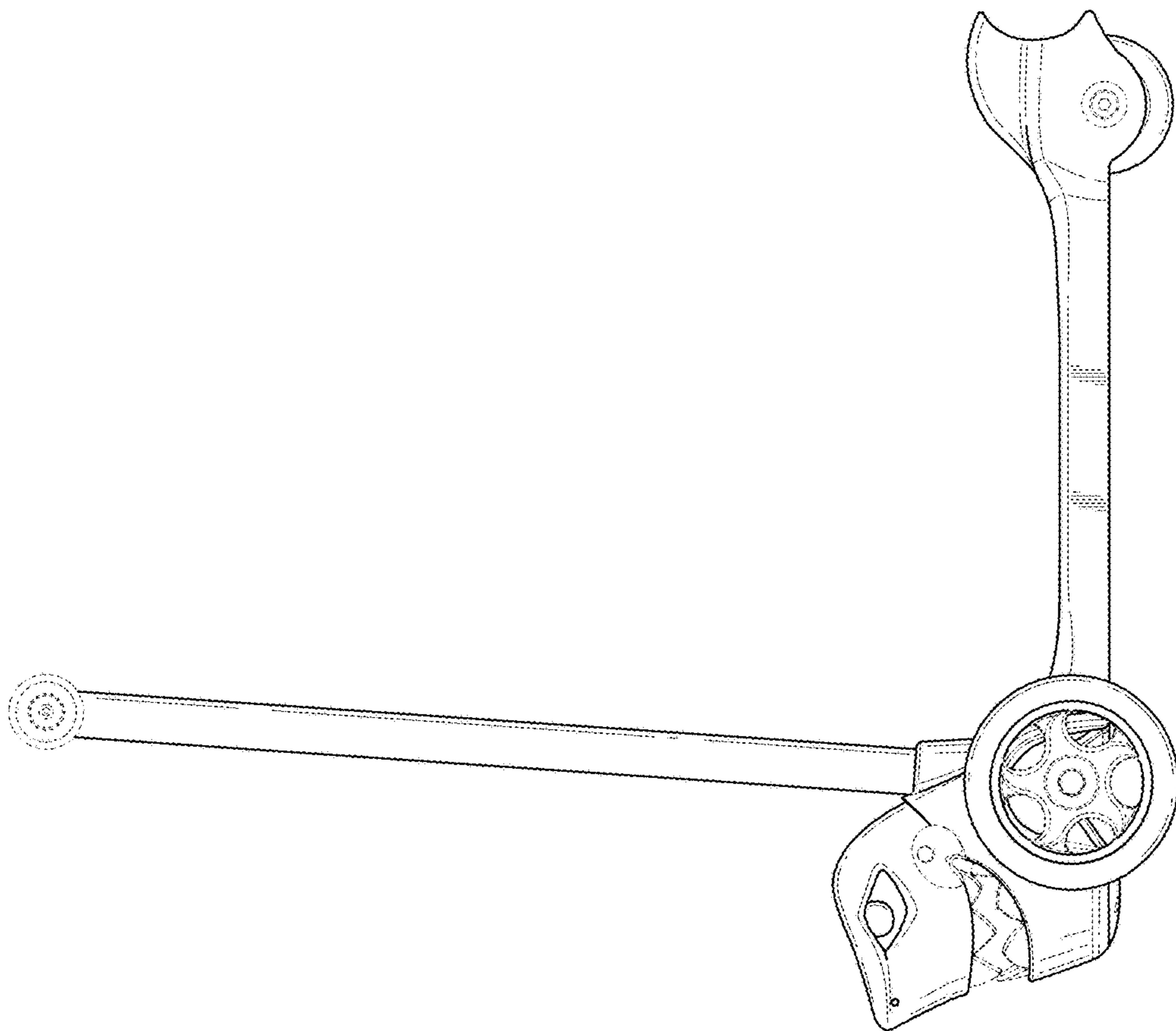


FIG. 4

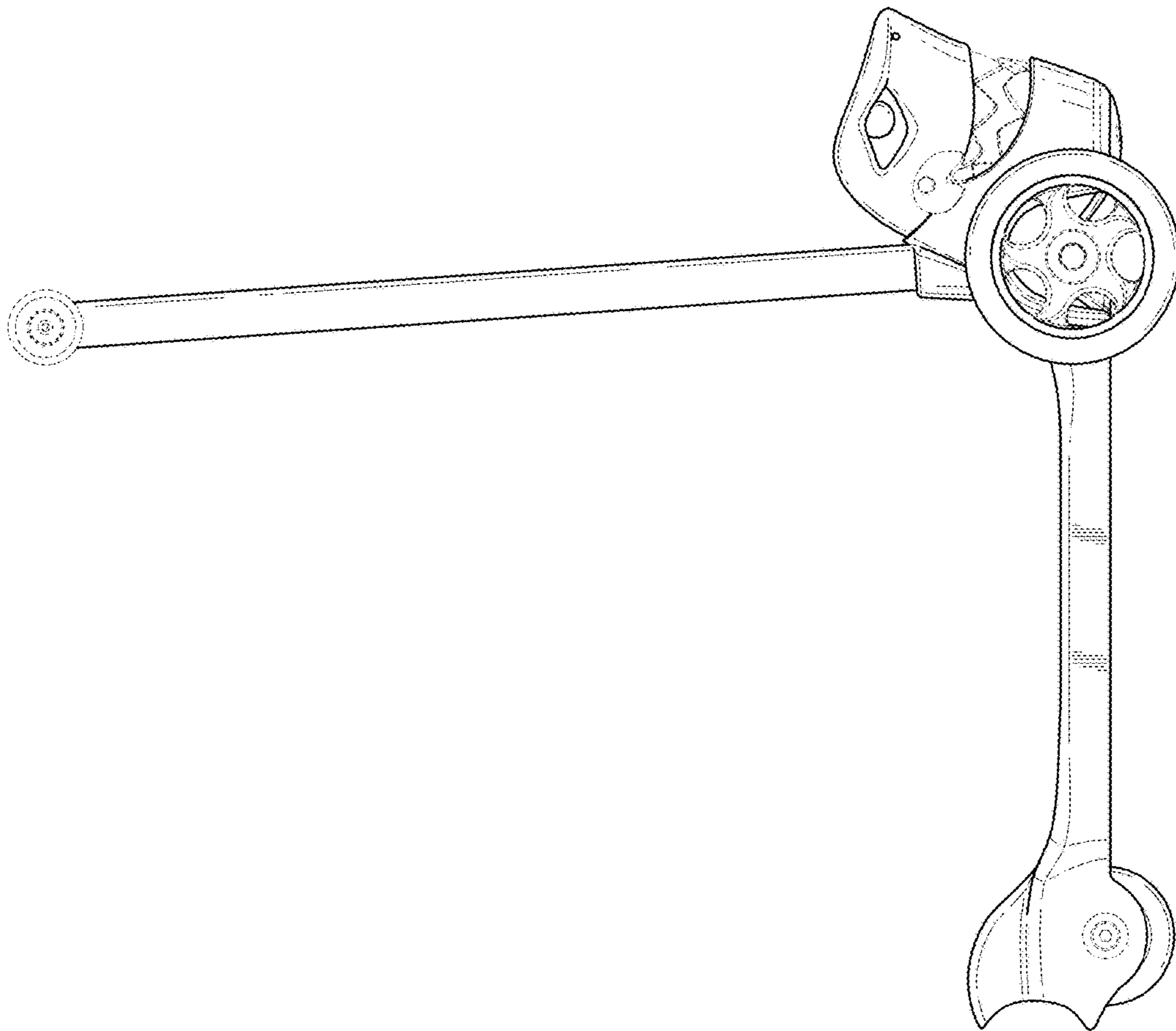


FIG. 5

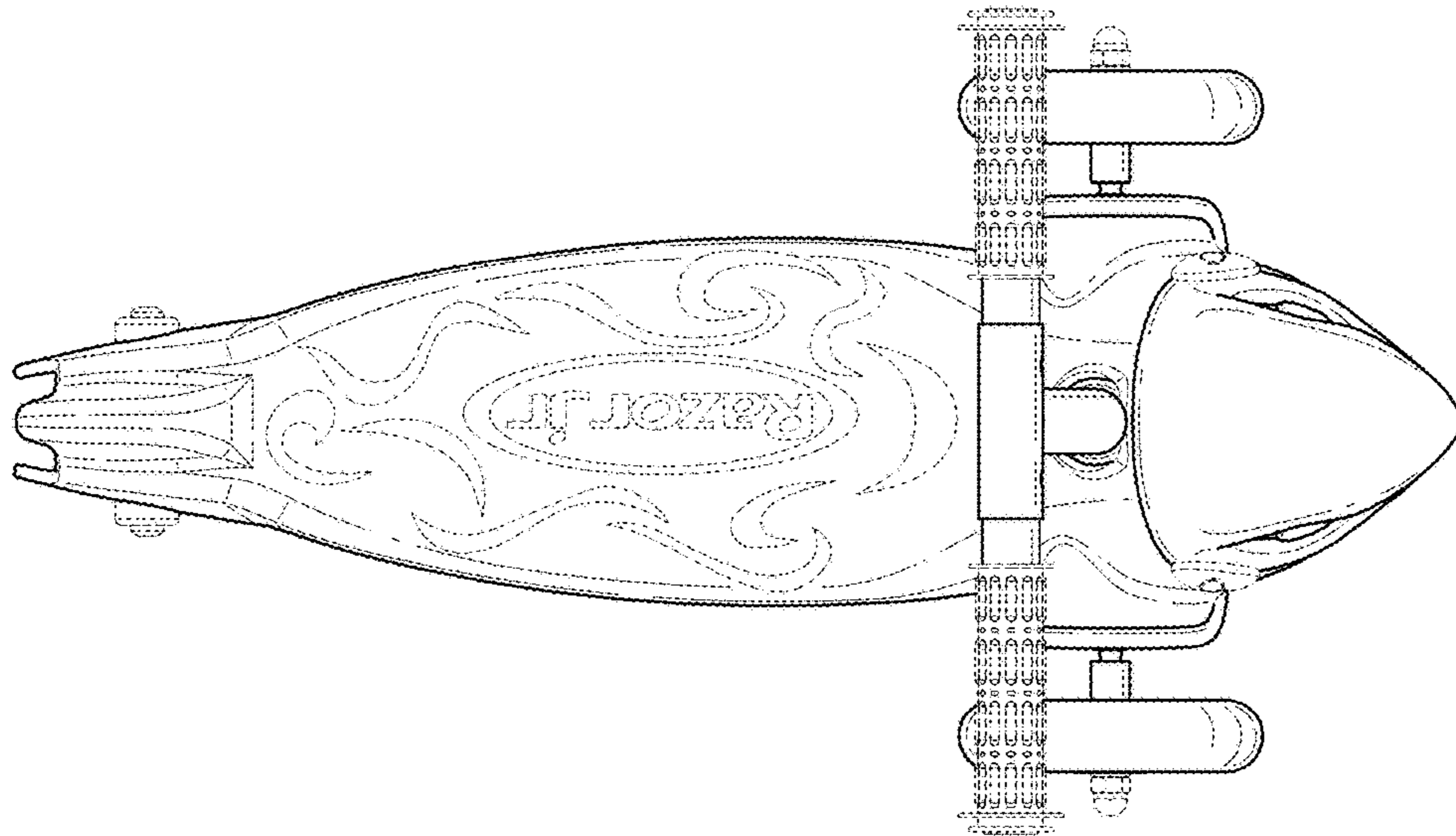


FIG. 6

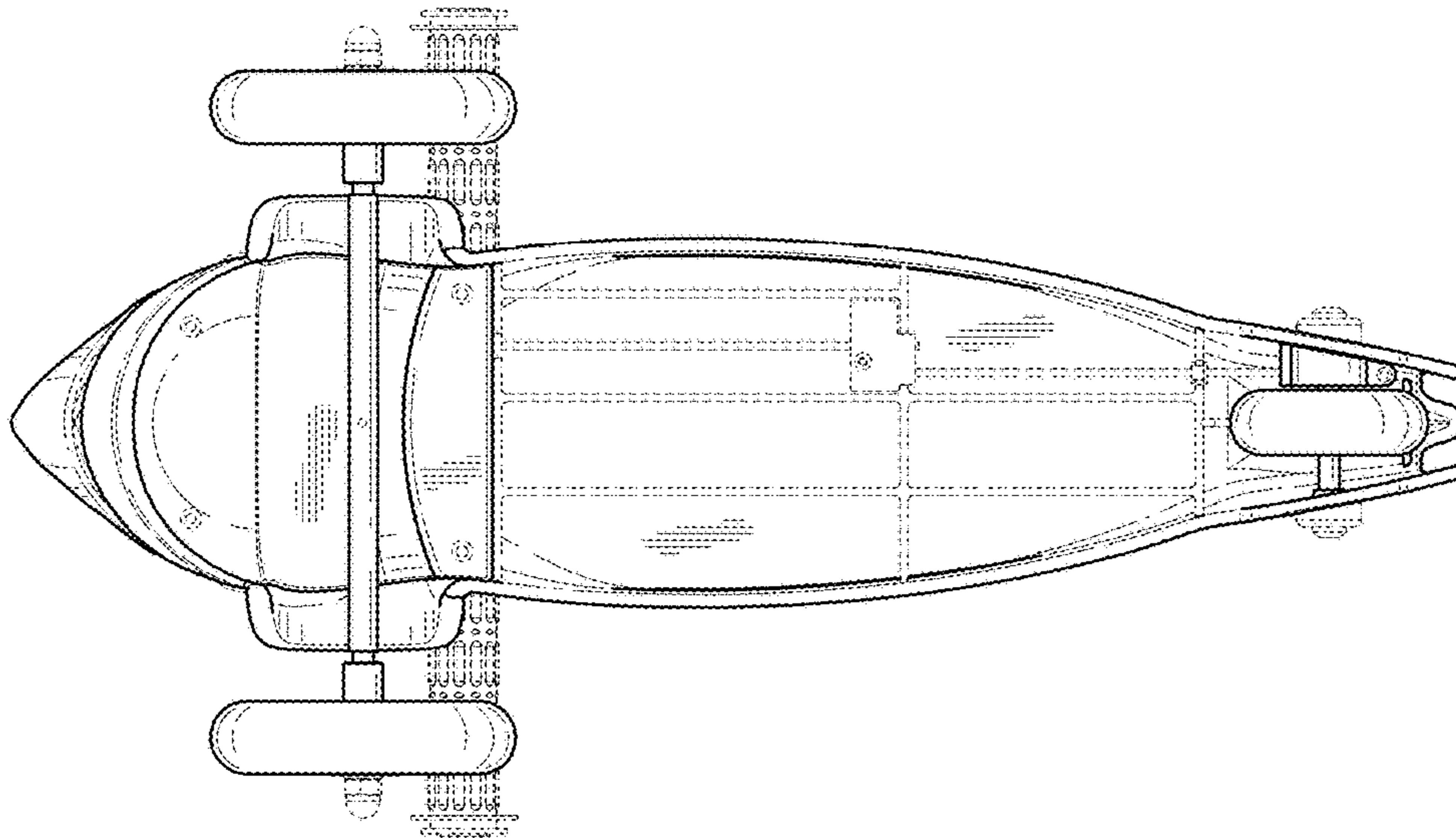


FIG. 7