



US00D795352S

(12) **United States Design Patent** (10) **Patent No.:** **US D795,352 S**
Moscatelli et al. (45) **Date of Patent:** **** Aug. 22, 2017**

(54) **GAME TILE**

(71) Applicant: **Play Works Studio, Inc.**, Normandy Park, WA (US)
(72) Inventors: **Adriana Moscatelli**, Normandy Park, WA (US); **Adam McMullen**, The Hills, TX (US); **Nick Robbins**, Houston, TX (US)
(73) Assignee: **Adriana Moscatelli**, Normandy Park, WA (US)

(**) Term: **15 Years**

(21) Appl. No.: **29/582,874**

(22) Filed: **Oct. 31, 2016**

Related U.S. Application Data

(62) Division of application No. 29/518,765, filed on Feb. 26, 2015, now Pat. No. Des. 772,344.

(51) **LOC (10) Cl.** **21-01**

(52) **U.S. Cl.**
USPC **D21/386**; D21/478; D21/479; D21/480

(58) **Field of Classification Search**
USPC D21/386, 478-480
CPC A63F 9/10; A63F 9/12; A63F 9/20; A63F 9/1044; A63F 9/1204; A63F 1/02; A63F 1/04

See application file for complete search history.

(56) **References Cited**

U.S. PATENT DOCUMENTS

D267,895 S * 2/1983 Petrie 273/157 R
4,469,331 A * 9/1984 Rinker A63F 9/12
273/157 R
D341,630 S * 11/1993 Buflo D21/480
D350,772 S * 9/1994 King D19/64
D383,804 S * 9/1997 Parein D21/480

D406,284 S * 3/1999 Owen D21/478
D427,247 S * 6/2000 Mangeret D21/478
6,082,008 A * 7/2000 Lariviere, Jr. B26B 1/00
30/289
D518,114 S * 3/2006 Chuang D21/479
D541,549 S * 5/2007 Ng D21/480
D621,883 S * 8/2010 Jou D21/385
7,832,732 B1 * 11/2010 Torres A63F 1/02
273/153 R
D667,267 S * 9/2012 Kushner D21/480
D673,797 S * 1/2013 McShane D21/397
D686,672 S * 7/2013 Davis D21/392
D721,859 S * 1/2015 Muhlbauer D21/479
D749,797 S * 2/2016 Muhlbauer D21/478
D754,801 S * 4/2016 Fox D21/480
D759,166 S * 6/2016 Fox D21/480

(Continued)

Primary Examiner — Darlington Ly

Assistant Examiner — Daniel J Domino

(74) *Attorney, Agent, or Firm* — Christensen O'Connor Johnson Kindness PLLC

(57) **CLAIM**

The ornamental design for a game tile, as shown and described.

DESCRIPTION

This invention was made with Government support under Award No. 1346821 awarded by the Small Business Innovation Research (SBIR) Program of the National Science Foundation (NSF). The Government has certain rights in the invention.

FIG. 1 is an isometric view of a game tile showing our new design;

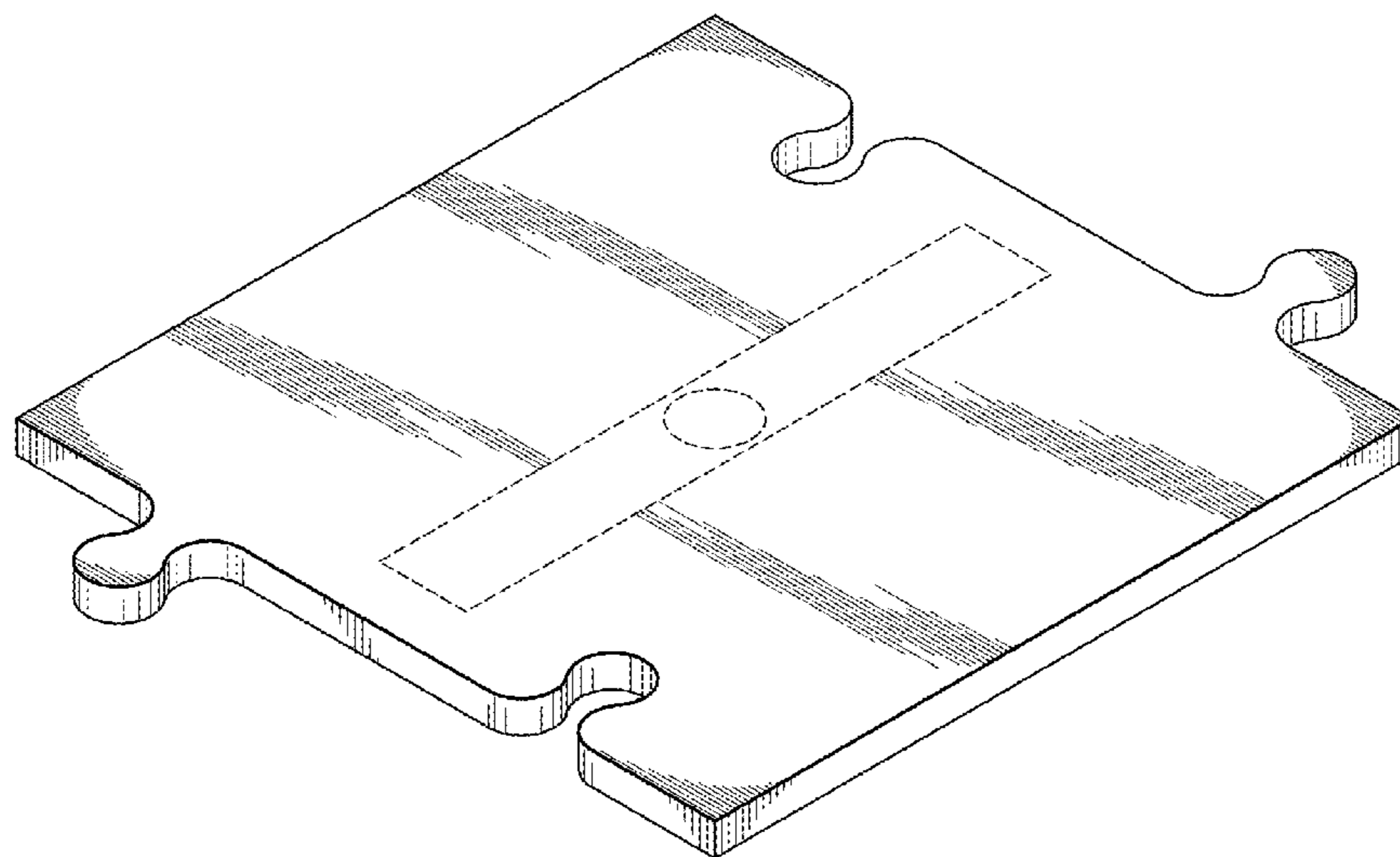
FIG. 2 is a top view of the game tile of FIG. 1;

FIG. 3 is a front view of the game tile of FIG. 1; and,

FIG. 4 is a side view of the game tile of FIG. 1.

The broken lines show portions of the game tile which form no part of the claimed design.

1 Claim, 2 Drawing Sheets



(56)

References Cited

U.S. PATENT DOCUMENTS

2005/0098948	A1 *	5/2005	Hronek	A63F 9/10
				273/157 R
2005/0200076	A1 *	9/2005	Wu	A63F 9/10
				273/157 R
2007/0164513	A1 *	7/2007	Gelman	A63F 9/10
				273/157 R

* cited by examiner

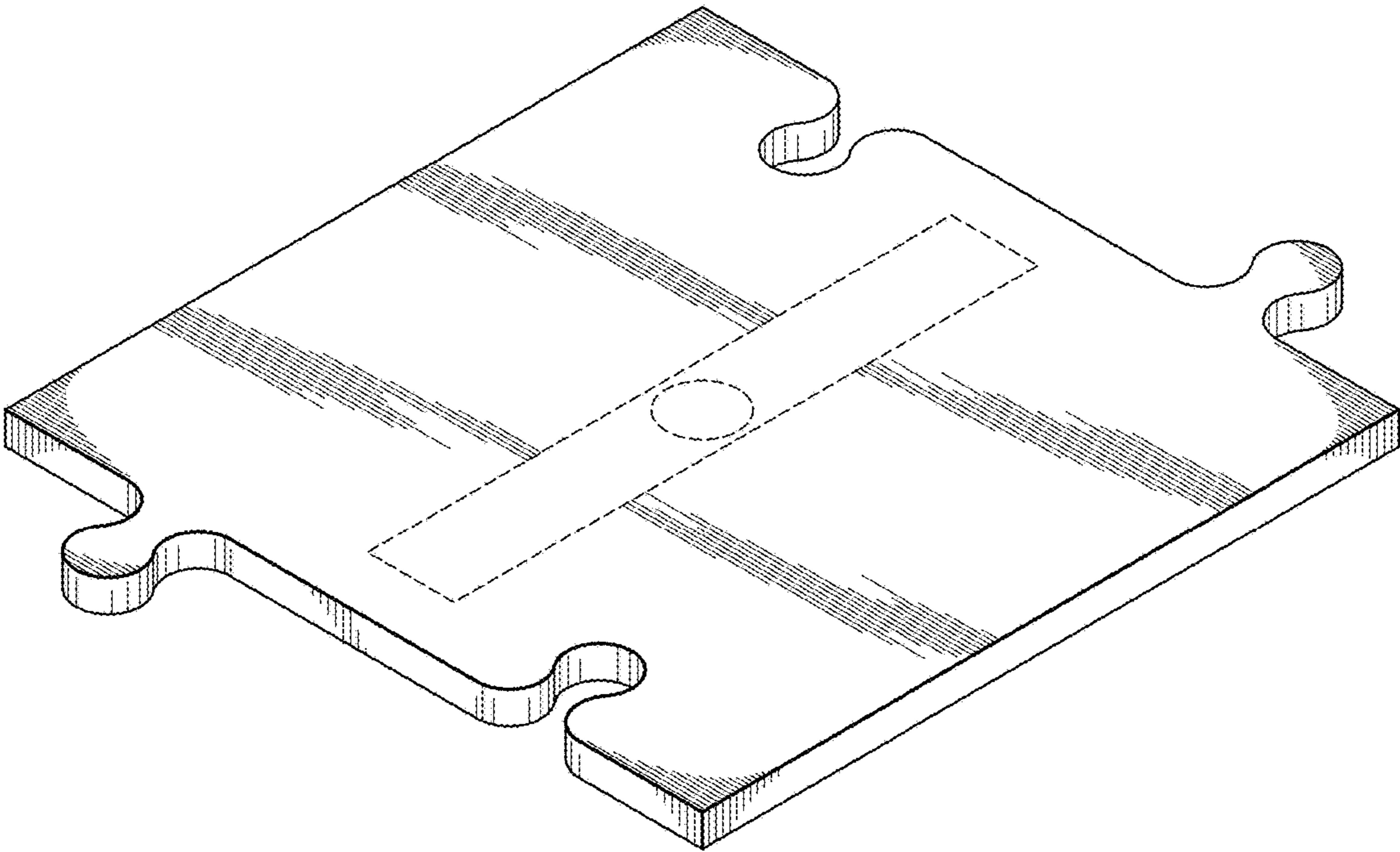


Fig. 1.



Fig. 2.

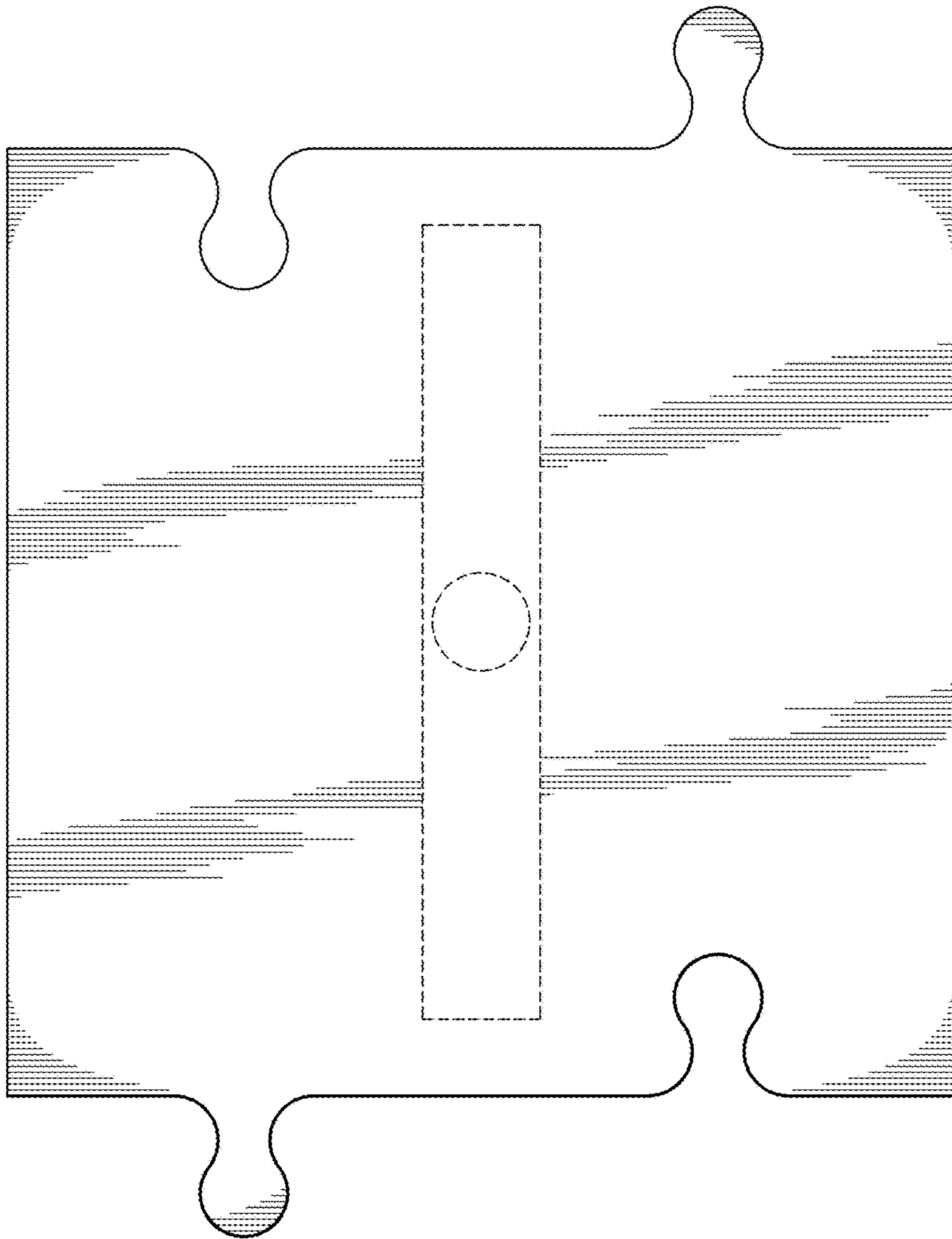


Fig. 3.



Fig. 4.