



US00D795349S

(12) **United States Design Patent** (10) **Patent No.:** **US D795,349 S**
Zekelman et al. (45) **Date of Patent:** **** Aug. 22, 2017**

(54) **PROGRAMMING TILE**
(71) Applicant: **Tangible Play, Inc.**, Palo Alto, CA (US)
(72) Inventors: **Ariel Zekelman**, Palo Alto, CA (US); **Felix Hu**, Palo Alto, CA (US); **Eric Uchalik**, Palo Alto, CA (US)
(73) Assignee: **Tangible Play, Inc.**, Palo Alto, CA (US)
(**) Term: **15 Years**
(21) Appl. No.: **29/565,826**
(22) Filed: **May 24, 2016**
(51) **LOC (10) Cl.** **21-01**
(52) **U.S. Cl.**
USPC **D21/333; D21/324; D14/496; D14/356; D19/60**
(58) **Field of Classification Search**
USPC **D21/324, 328, 329, 333, 334, 445, 398; D14/346, 138 R, 496, 341, 345, 356, D14/203.1-203.8, 204; D19/59-64; 382/103, 155, 162, 173-180, 232, 382/236-239, 254, 276, 285, 312; 273/236, 292, 293, 148 R, 148 B, 273/459-461; 345/156-160, 173-178, 345/501, 531, 1.1, 1.2, 3.1-3.4, 30, 903, 345/901, 905; 463/1, 7, 9, 11, 31-34; 434/81, 82, 85, 128, 129, 155, 159, 276, 434/308, 365, 317, 323, 324, 162-177**
CPC **A63F 1/00; A63F 7/38; A63F 13/00; A63F 13/02; A63F 13/20; G06K 7/00; G06K 9/00; G06K 9/46; G06K 9/4604**
See application file for complete search history.

D365,588 S 12/1995 Fernandez
5,594,469 A * 1/1997 Freeman G05B 19/106 345/157
D407,748 S * 4/1999 Tsang D19/60
D409,895 S 5/1999 Schron, Jr. et al.
6,043,805 A * 3/2000 Hsieh G06F 3/0425 345/158
6,175,954 B1 1/2001 Nelson et al.
D476,555 S 7/2003 Niwa
(Continued)

FOREIGN PATENT DOCUMENTS

WO 2006027627 A1 3/2006

OTHER PUBLICATIONS

Papert, "Mindstorms: Children, Computers, and Powerful Ideas," 1980 (11 pages).

(Continued)

Primary Examiner — Prabhakar G Deshmukh
(74) *Attorney, Agent, or Firm* — Patent Law Works LLP

(57) **CLAIM**

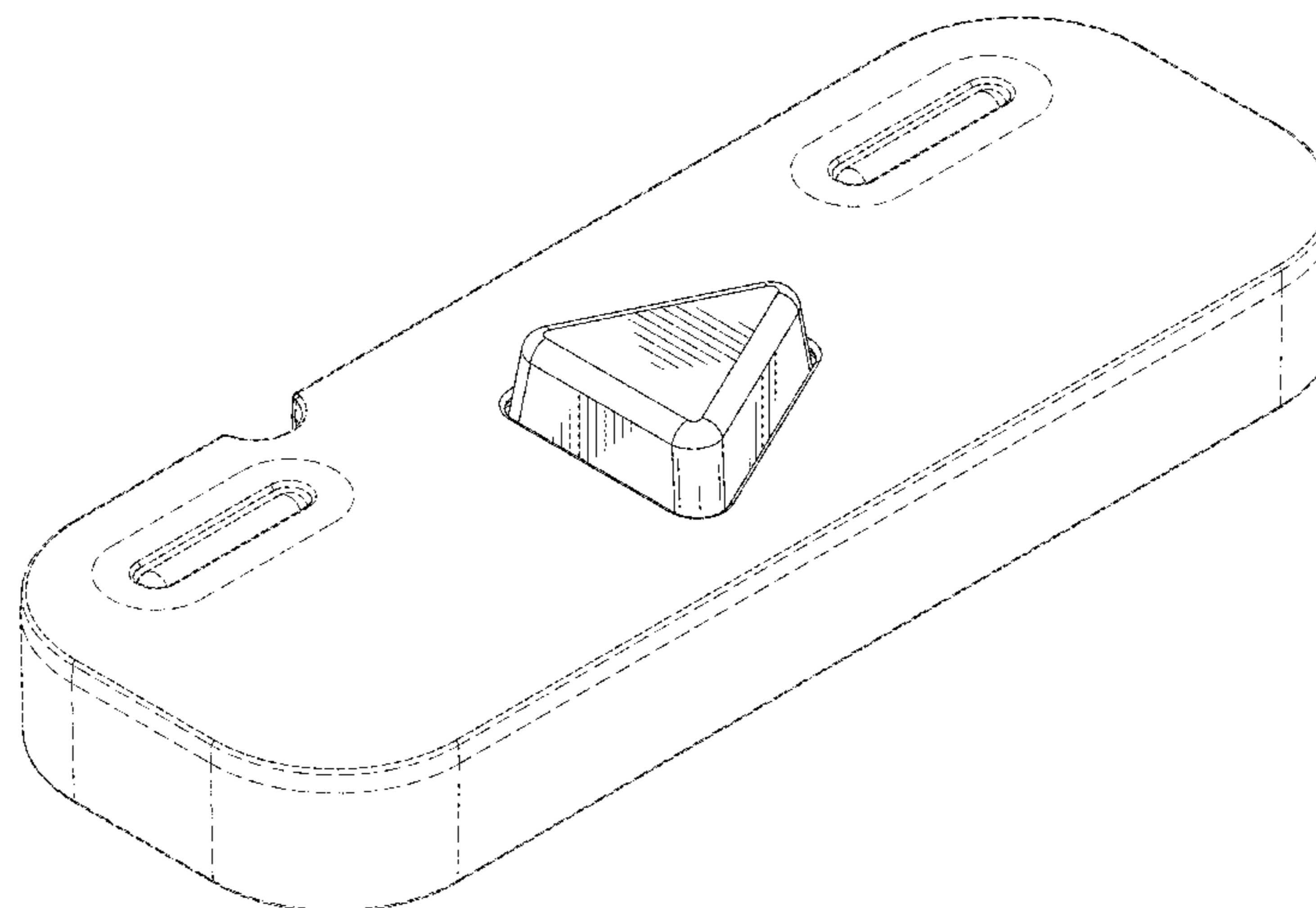
The ornamental design for a programming tile, as shown and described.

DESCRIPTION

FIG. 1 is a top perspective view of a programming tile showing our new design;
FIG. 2 is a bottom perspective view thereof;
FIG. 3 is a top plan view thereof;
FIG. 4 is a bottom plan view thereof;
FIG. 5 is a left side elevational view thereof;
FIG. 6 is a right side elevational view thereof;
FIG. 7 is a front elevational view thereof; and,
FIG. 8 is a rear elevational view thereof.
The broken lines illustrate unclaimed portions and form no part of the claimed design.

(56) **References Cited**
U.S. PATENT DOCUMENTS
D310,185 S 8/1990 Tick
D351,890 S 10/1994 Rasmusson

1 Claim, 6 Drawing Sheets



(56)

References Cited

U.S. PATENT DOCUMENTS

6,614,422 B1 * 9/2003 Rafii G06F 1/1626
345/156
6,650,318 B1 * 11/2003 Arnon G03H 1/00
345/156
D531,668 S * 11/2006 Goodstriker D19/60
D535,869 S 1/2007 Brunsteter
7,210,631 B2 * 5/2007 Sali G06K 7/14
235/462.04
D545,183 S 6/2007 French et al.
D563,452 S 3/2008 Tan et al.
7,777,899 B1 8/2010 Hildreth
8,126,264 B2 2/2012 Kaftory et al.
D658,977 S 5/2012 Riddell et al.
8,225,260 B2 * 7/2012 Huynh G06F 17/5072
716/116
8,274,535 B2 9/2012 Hildreth et al.
8,341,582 B2 * 12/2012 Huynh G06F 17/5063
707/769
D682,463 S 5/2013 Bernard
8,611,587 B2 12/2013 Horovitz
8,624,932 B2 1/2014 Hildreth et al.
D698,781 S * 2/2014 Jun D14/341
D716,362 S 10/2014 Generotti
8,881,052 B2 * 11/2014 Strauss G06F 9/4443
715/762
D726,804 S 4/2015 Voss
9,003,340 B2 * 4/2015 Huynh G06F 17/5063
716/108
9,158,389 B1 10/2015 Sharma et al.
9,354,716 B1 5/2016 Sharma et al.
2009/0273560 A1 11/2009 Kalanithi et al.
2009/0315740 A1 12/2009 Hildreth et al.
2010/0061637 A1 * 3/2010 Mochizuki G06T 7/12
382/199
2010/0066763 A1 3/2010 MacDougall et al.
2010/0091110 A1 4/2010 Hildreth
2011/0298724 A1 12/2011 Ameling et al.
2012/0244922 A1 9/2012 Horovitz
2013/0321447 A1 12/2013 Horovitz et al.

OTHER PUBLICATIONS

Cuban, "Oversold and underused: Computers in the classroom," 2009 (258 pages).
McNerney, "From turtles to tangible programming bricks: explorations in physical language design," *Personal Ubiquit Computing*, 2004 (12 pages).
Montemayor, et al., "Tools for Children to Create Physical Interactive StoryRooms," *Computers in Entertainment*, vol. 2, No. 1, 2004 (24 pages).
Schweikardt, et al., "The Robot is the Program: Interacting with roBlocks," 2008 (2 pages).

Wyeth, "How Young Children Learn to Program with Sensor, Action, and Logic Blocks," *The Journal of the Learning Sciences*, vol. 17, No. 4, Oct.-Dec. 2008 (35 pages).
Yardi, "Scratch: Programming for All," *Communications of the ACM*, vol. 52, No. 11, Nov. 2009 (8 pages).
Sipitakiat, et al., "Robo-Blocks: Desining Debugging Abilities in a Tangible Programming System for Early Primary School Children," 2012 (8 pages).
Horn, et al., "Tangible Interaction and Learning: the case for a hybrid approach," *Personal Ubiquit Computing*, 2012 (11 pages).
Pedersen, "Grab and Touch: Empirical Research on Tangible Computing and Touch Interaction," Nov. 2012 (75 pages).
Flannery, et al., "Designing ScratchJr: Support for Early Childhood Learning Through Computer Programming," 2013 (10 pages).
Chawla, et al., "Dr. Wagon: A 'stretchable' toolkit for tangible computer programming," 2013 (4 pages).
Weintrop, et al., "RoboBuilder: A Computational Thinking Game," 2013 (2 pages).
Sapounidis, et al., "Tangible versus graphical user interfaces for robot programming: exploring cross-age children's preferences," 2013 (12 pages).
Oh, et al., "The Digital Dream Lab: Tabletop Puzzle Blocks for Exploring Programmatic Concepts," 2013 (6 pages).
Horn, "The Role of Cultural Forms in Tangible Interaction Design," 2013 (8 pages).
Horn, et al., "Translating Roberto to Omar: Computational Literacy, Stickerbooks, and Cultural Forms," 2013 (8 pages).
Wikipedia, "Tangible user interface," retrieved from http://en.wikipedia.org/w/index.php?title=Tangible_user_interface&oldid=549052909 Apr. 2, 2014 (5 pages).
Hu, et al., "Strawbies: Explorations in Tangible Programming," 2015 (4 pages).
International Search Report and Written Opinion, mailed Aug. 27, 2015, in PCT/US2015/032041 (14 pages).
Horn, "Topcodes: Tangible Object Placement Codes," retrieved from <http://users.eecs.northwestern.edu/~mhom/topcodes/> Sep. 9, 2016 (2 pages).
McNerney, "Tangible Programming Bricks: An approach to making programming accessible to everyone," Jun. 1983 (86 pages).
Horn, et al., "Designing Tangible Programming Languages for Classroom Use," 2007 (4 pages).
"A robot teaching kids code & computer programming," retrieved from www.primotoys.com Jun. 9, 2016 (8 pages).
"Toys for learning about technology. Playfully!" *KinderLab Robotics*, retrieved from <http://kinderlabrobotics.com> Jun. 9, 2016 (2 pages).
"Project Bloks—Research," retrieved from <http://projectblocks.withgoogle.com/research/> Sep. 9, 2016 (9 pages).
Disessa, "Changing Minds Computers, Learning, and Literacy: How It Might Be," 2000, pp. 29-44 (17 pages).

* cited by examiner

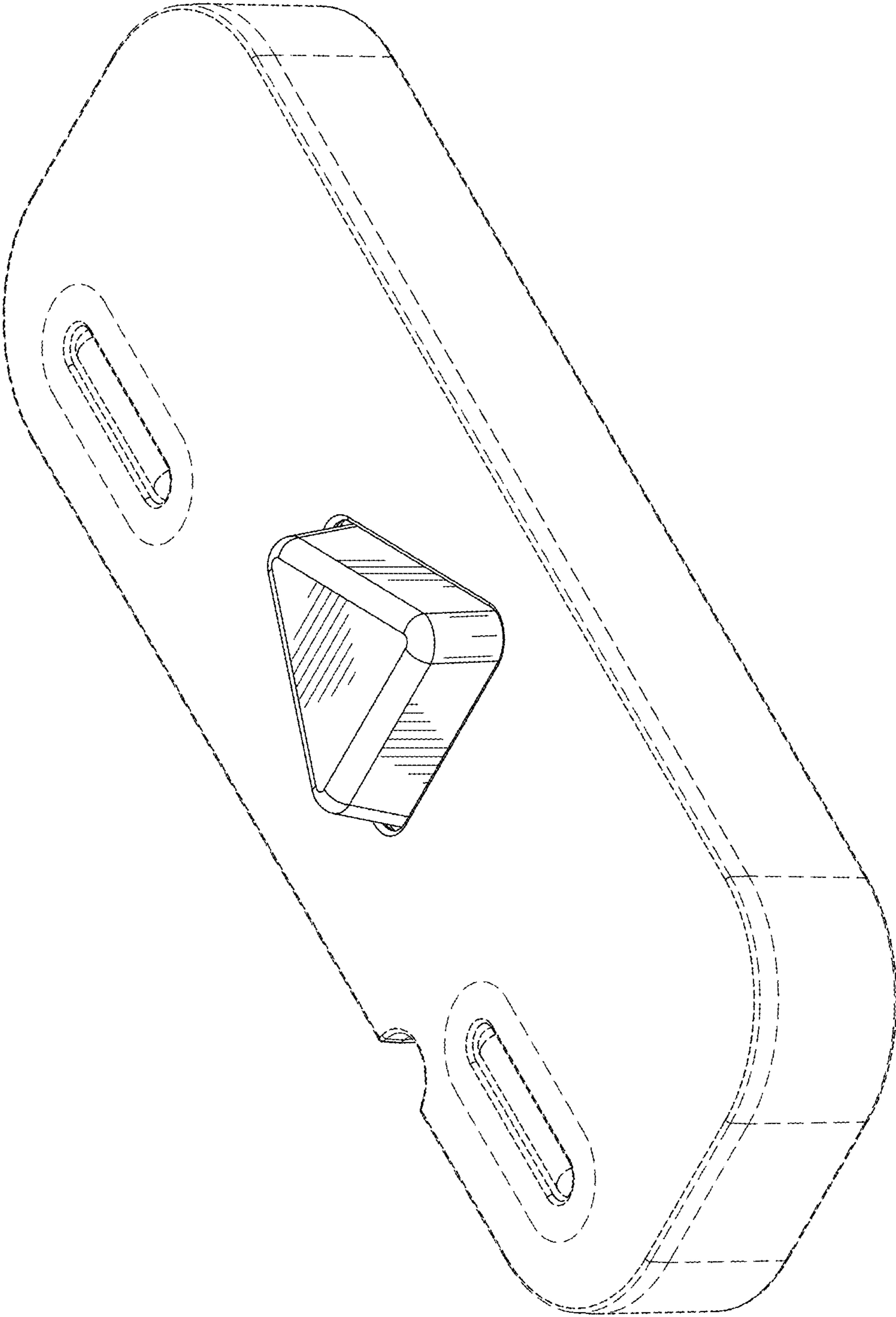


FIG. 1

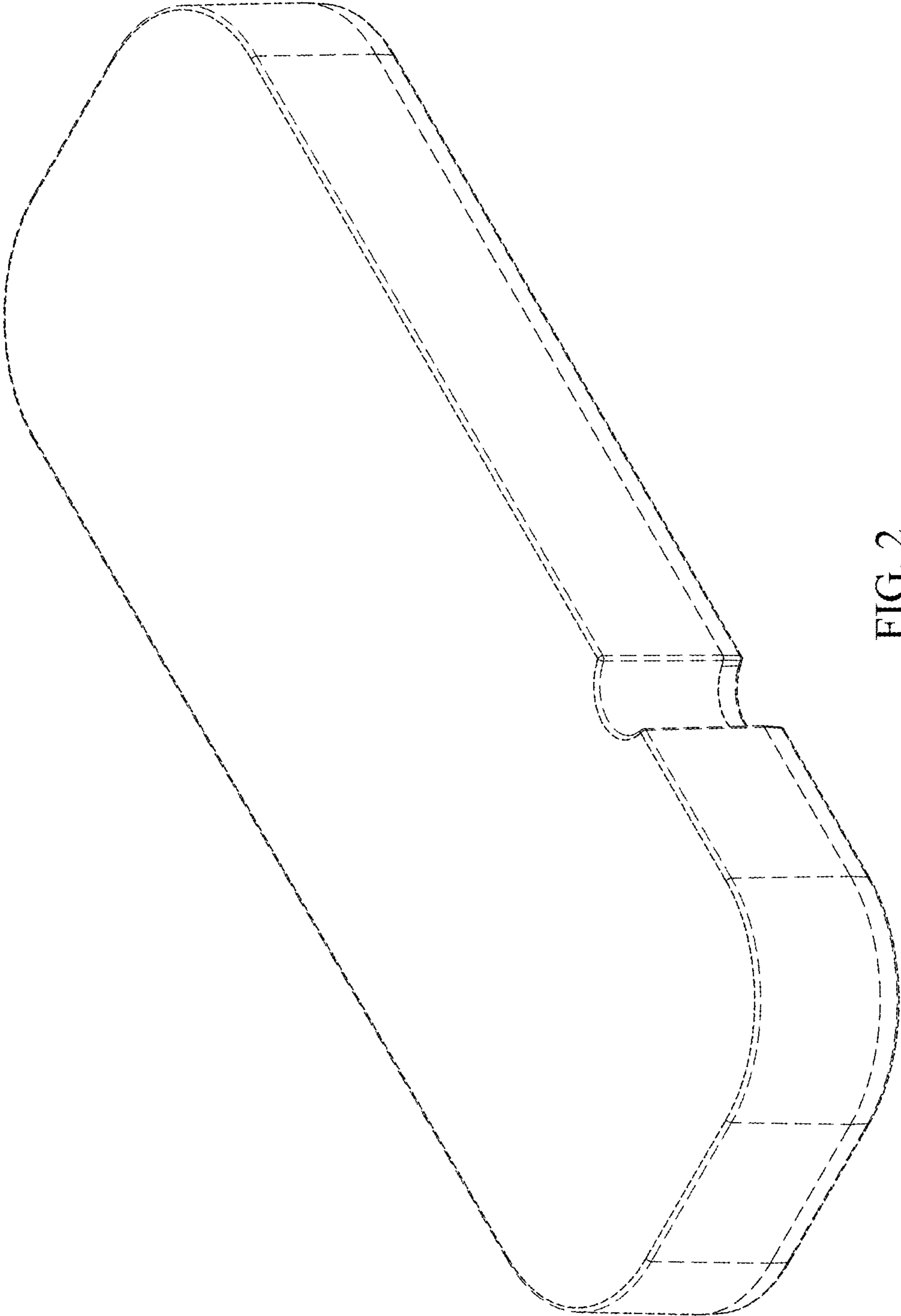


FIG. 2

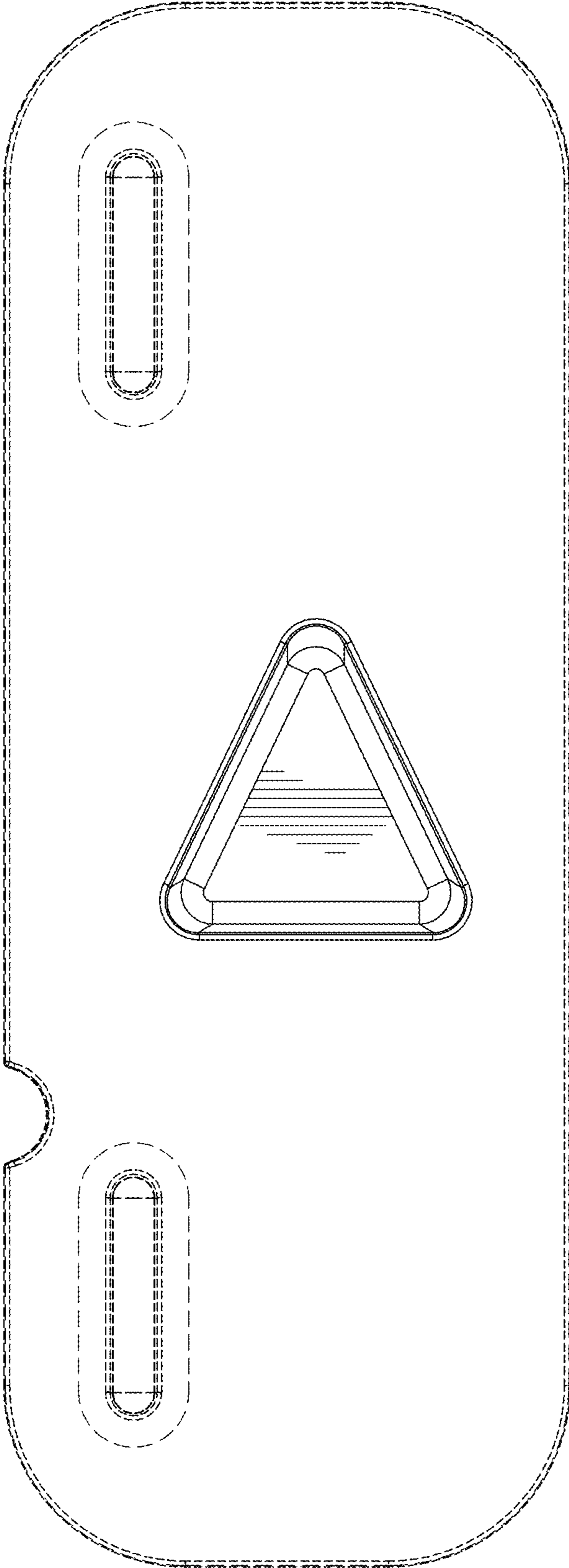


FIG. 3

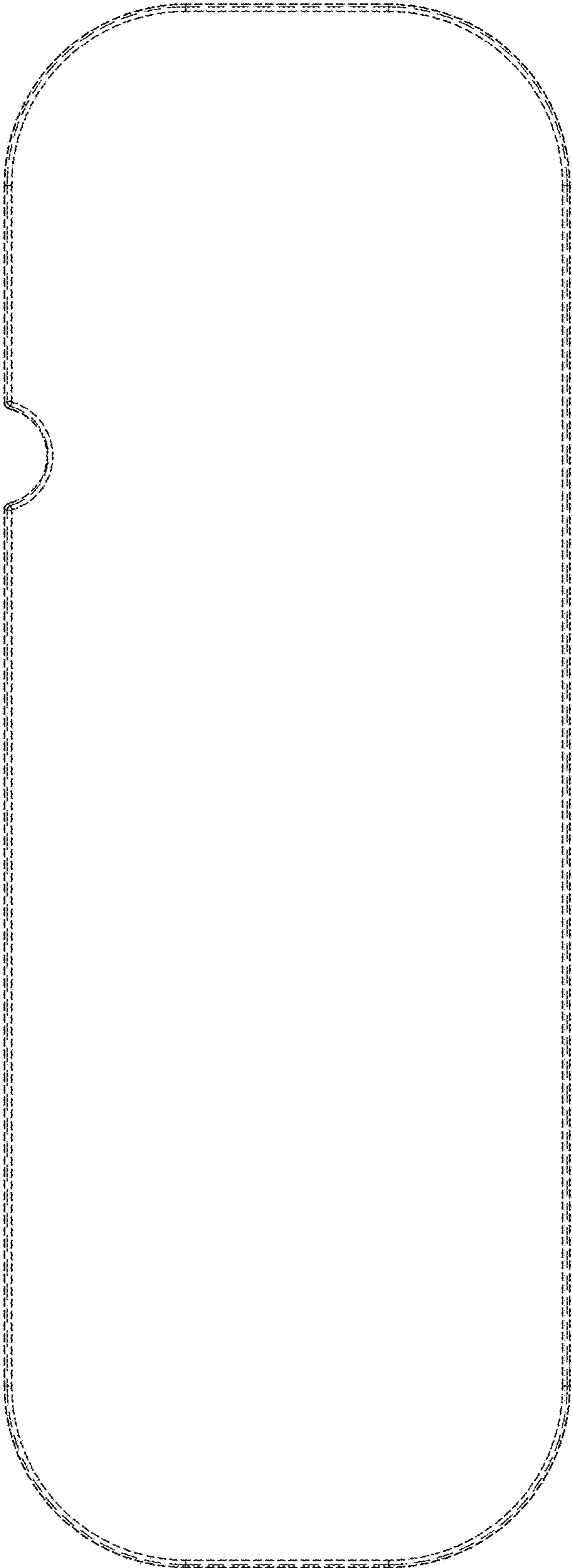


FIG. 4

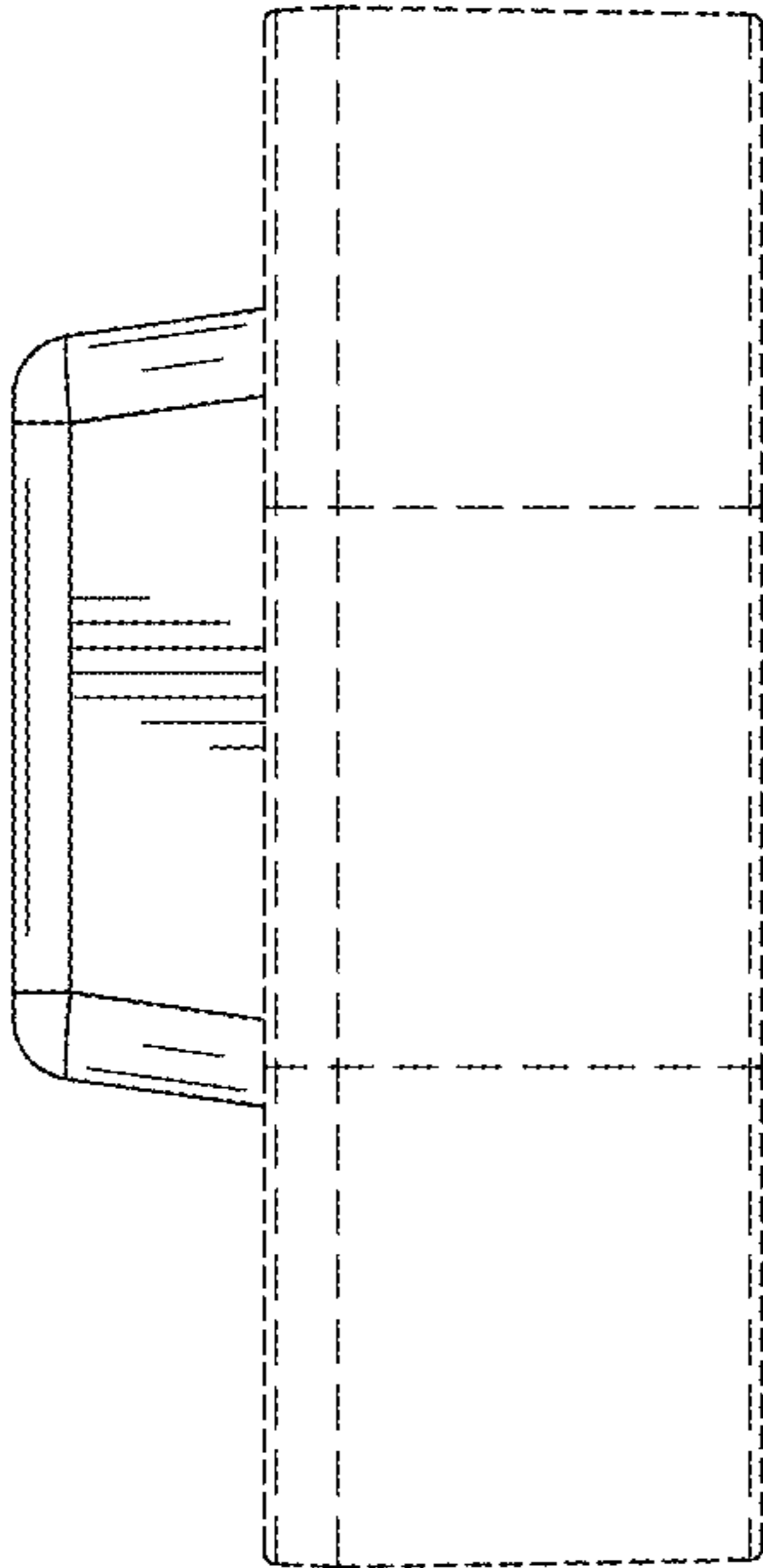


FIG. 5

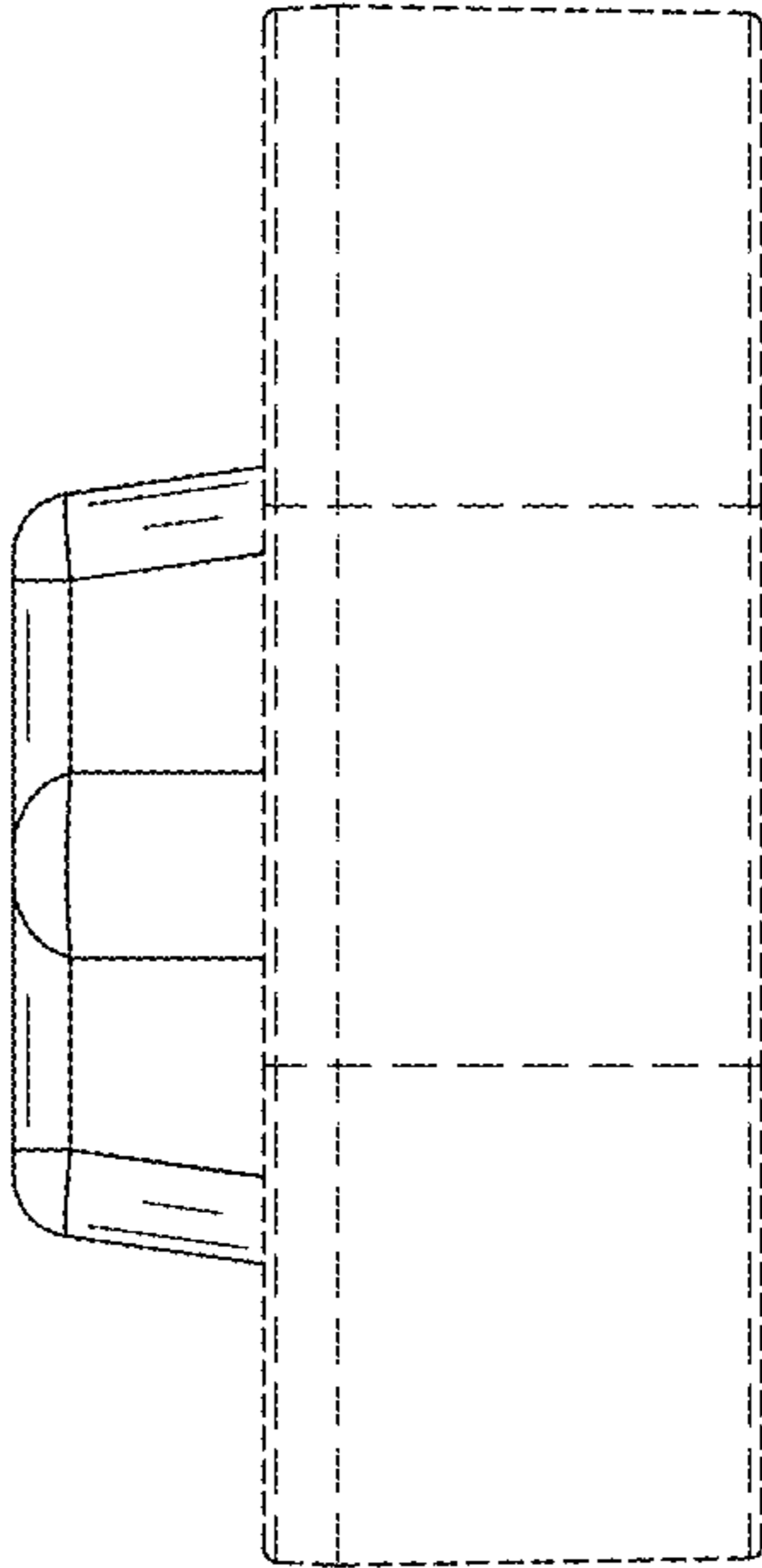


FIG. 6

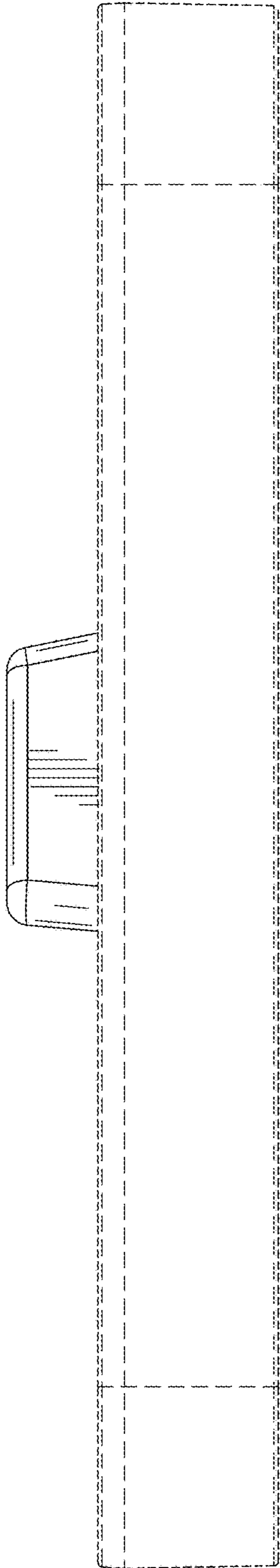


FIG. 7

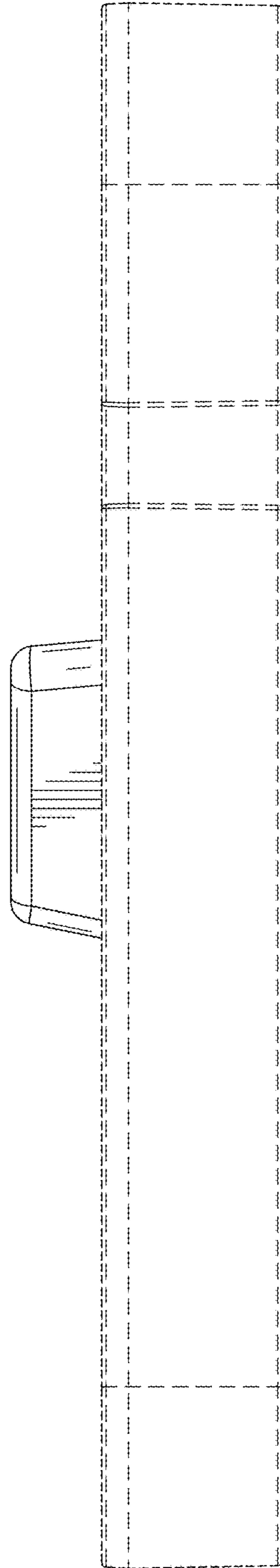


FIG. 8