



US00D795343S

(12) **United States Design Patent** (10) **Patent No.:** **US D795,343 S**
Peng (45) **Date of Patent:** **** Aug. 22, 2017**

(54) **AUTOMATIC DOCUMENT FEEDER**

(71) Applicant: **AVISION INC.**, Hsinchu (TW)

(72) Inventor: **Chao-Yu Peng**, Hsinchu (TW)

(73) Assignee: **Avision Inc.** (TW)

(**) Term: **15 Years**

(21) Appl. No.: **29/566,198**

(22) Filed: **May 27, 2016**

(51) **LOC (10) Cl.** **18-99**

(52) **U.S. Cl.**
USPC **D18/49**

(58) **Field of Classification Search**

USPC D18/14, 12, 4.5, 56, 18, 34.5, 40, 34.9,
D18/99, 36, 37, 38, 39, 41, 44, 45, 46,
D18/47, 48, 49, 50, 51, 52, 53, 54, 55;
D14/129, 130, 299, 301, 307, 421, 432,
D14/471, 483; 399/388; 101/113;
355/97; 271/3.14; D15/138, 199
CPC ... B41J 2/17513; B41J 2/1752; B41J 2/17553
See application file for complete search history.

(56) **References Cited**

U.S. PATENT DOCUMENTS

D329,456 S *	9/1992	Kamezaki	D18/46
D350,769 S *	9/1994	Hattori	D18/46
D354,078 S *	1/1995	Hiroki	D18/49
D384,693 S *	10/1997	Kenmochi	D18/49
D404,065 S *	1/1999	Nakamura	D18/49
D404,421 S *	1/1999	Takeuchi	D18/49
D415,788 S *	10/1999	Quijano	D18/49
D460,477 S *	7/2002	Leong	D18/49
D497,943 S *	11/2004	LaBarbera	D18/39
D559,897 S *	1/2008	Suzuki	D18/49
D559,898 S *	1/2008	Suzuki	D18/49

(Continued)

OTHER PUBLICATIONS

Avision "Avision—AM7850", <https://www.avision.com/motion.asp?siteid=100407&lqid=2&menuid=10075&prodid=121392&cat=9>. Mar. 16, 2017. shown in p. 1, Item # AM7850.*

Primary Examiner — Cynthia Ramirez
Assistant Examiner — Michael Maharajh

(57) **CLAIM**

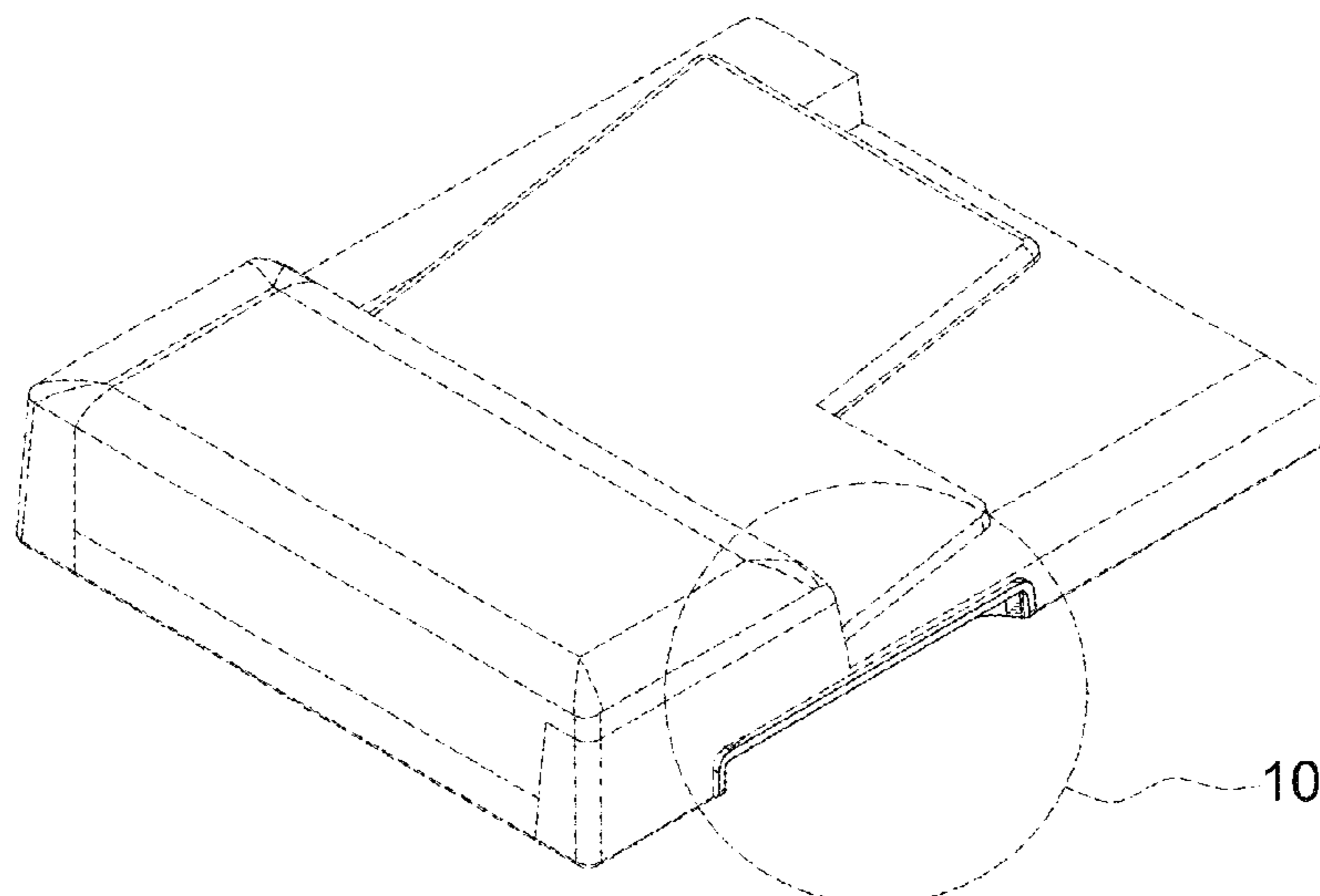
The ornamental design for an automatic document feeder, as shown and described.

DESCRIPTION

FIG. 1 is a left front top perspective view of an automatic document feeder showing my new design; FIG. 2 is a front elevational view thereof; FIG. 3 is a rear elevational view thereof; FIG. 4 is a left-side elevational view thereof; FIG. 5 is a right-side elevational view thereof; FIG. 6 is a top plan view thereof; FIG. 7 is a bottom plan view thereof; FIG. 8 is a left front top view of the automatic document feeder showing my new design, wherein the automatic document feeder is disposed on a multi-function printer as shown in broken line and is at an open state; FIG. 9 is a right front top view of the automatic document feeder showing my new design, wherein the automatic document feeder is disposed on the multi-function printer as shown in broken line and is at a close state; and, FIG. 10 is an enlarged view of an encircled portion in FIG. 1.

The broken lines showing an automatic document feeder in FIGS. 1 through 10 are for the purpose of illustrating portions of the automatic document feeder and form no part of the claimed design. The broken lines showing a multi-purpose printer in FIGS. 8 and 9 are for the purpose of illustrating environment, and form no part of the claimed design.

1 Claim, 6 Drawing Sheets



(56)

References Cited

U.S. PATENT DOCUMENTS

D758,485 S * 6/2016 Nakagawa D18/55
D769,968 S * 10/2016 So D18/56

* cited by examiner

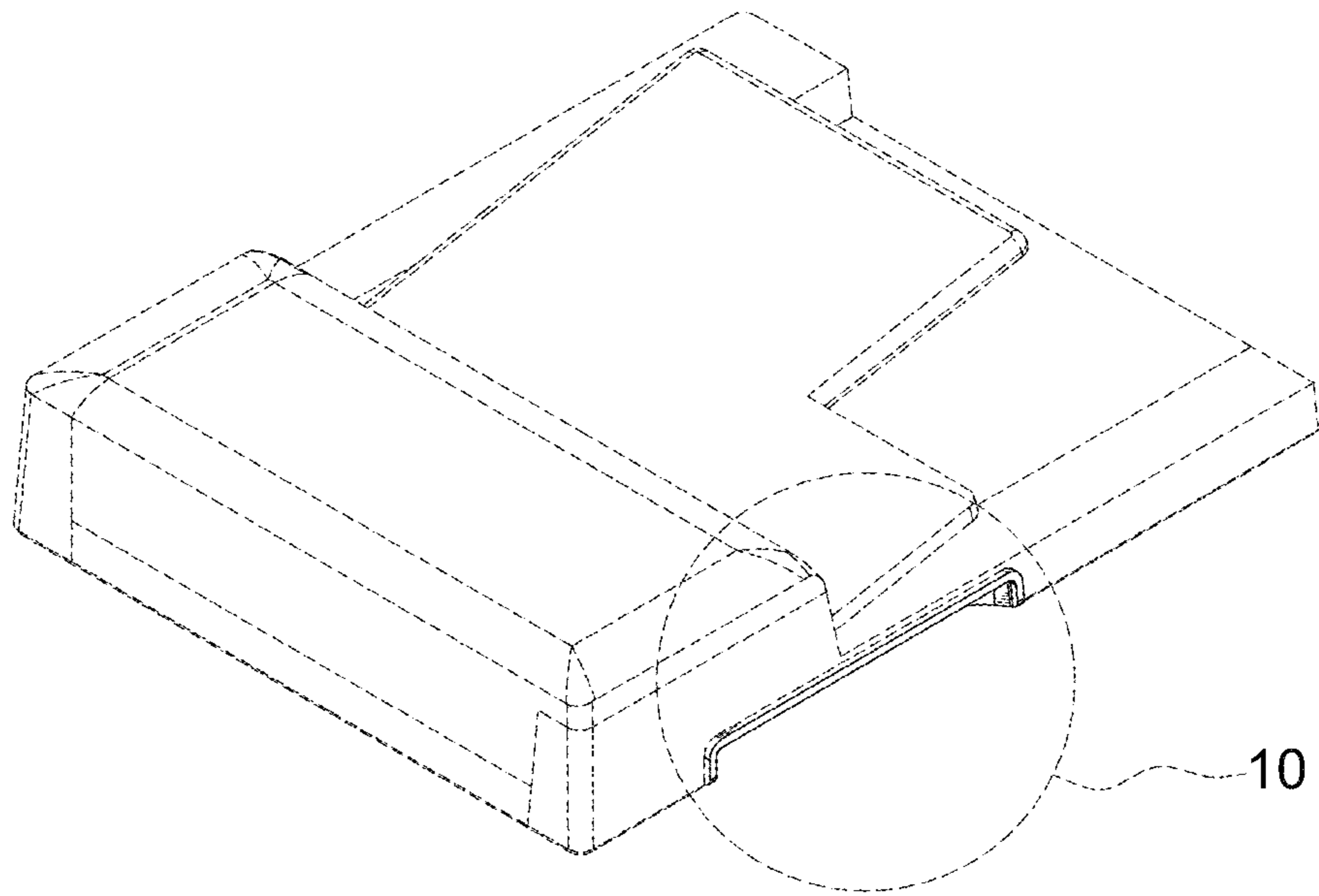


FIG. 1

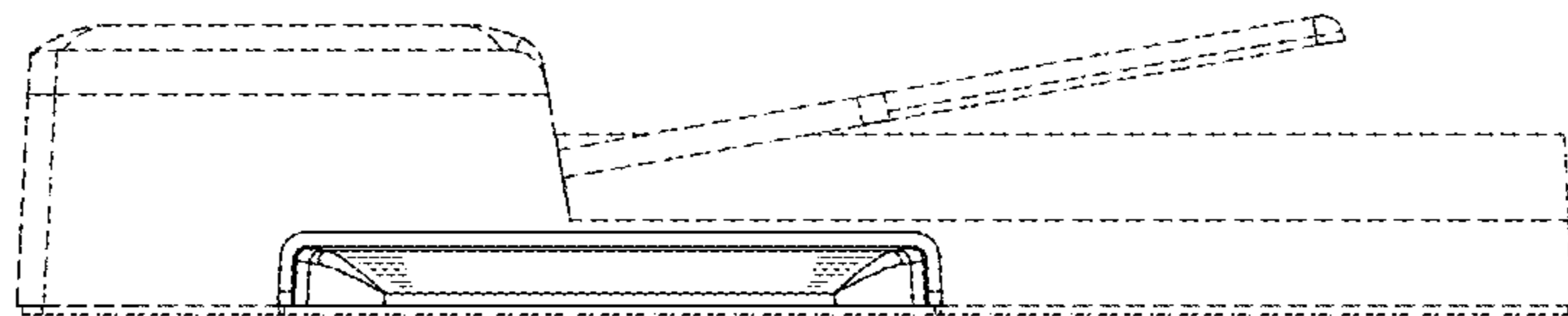


FIG. 2

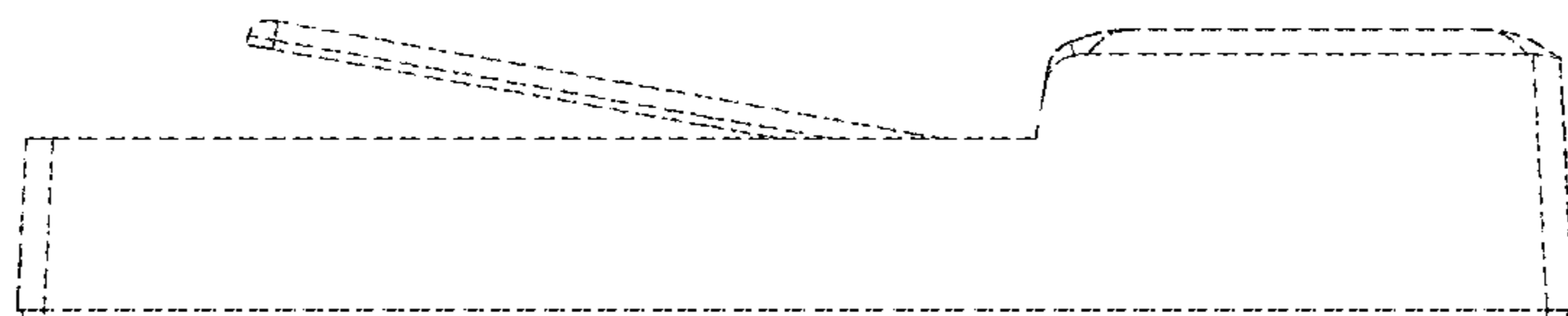


FIG. 3



FIG. 4

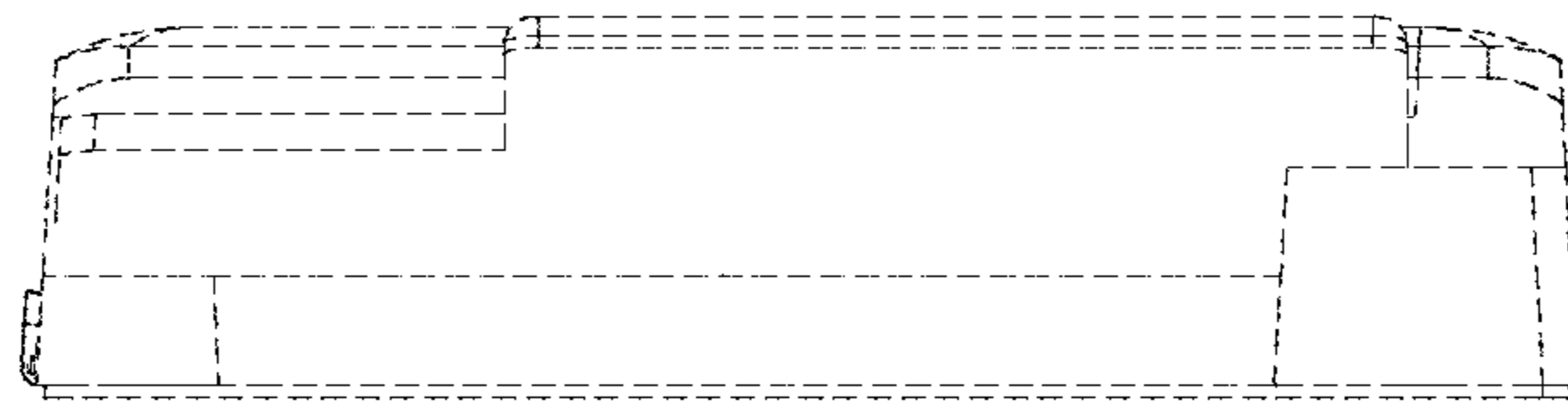


FIG. 5

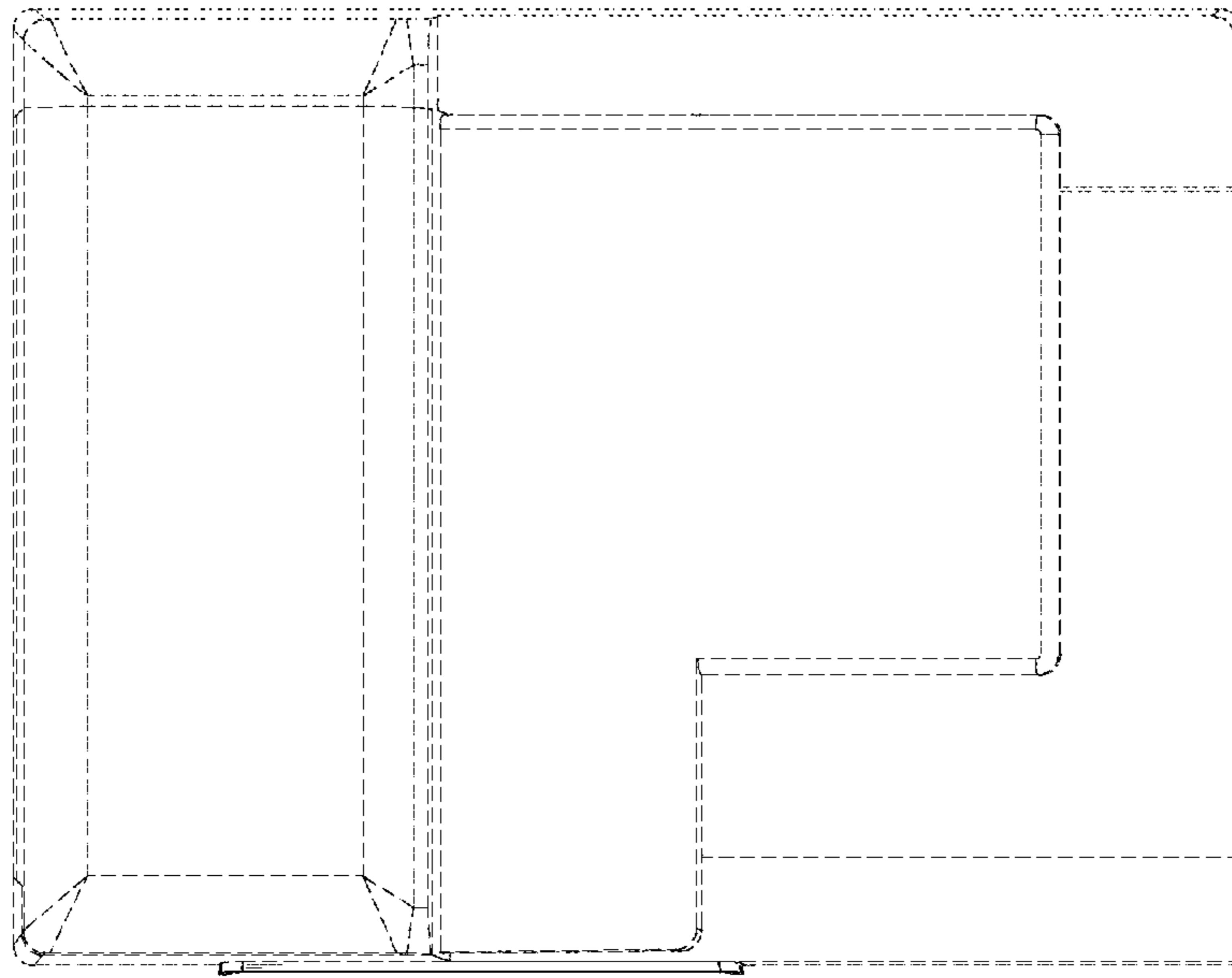


FIG. 6

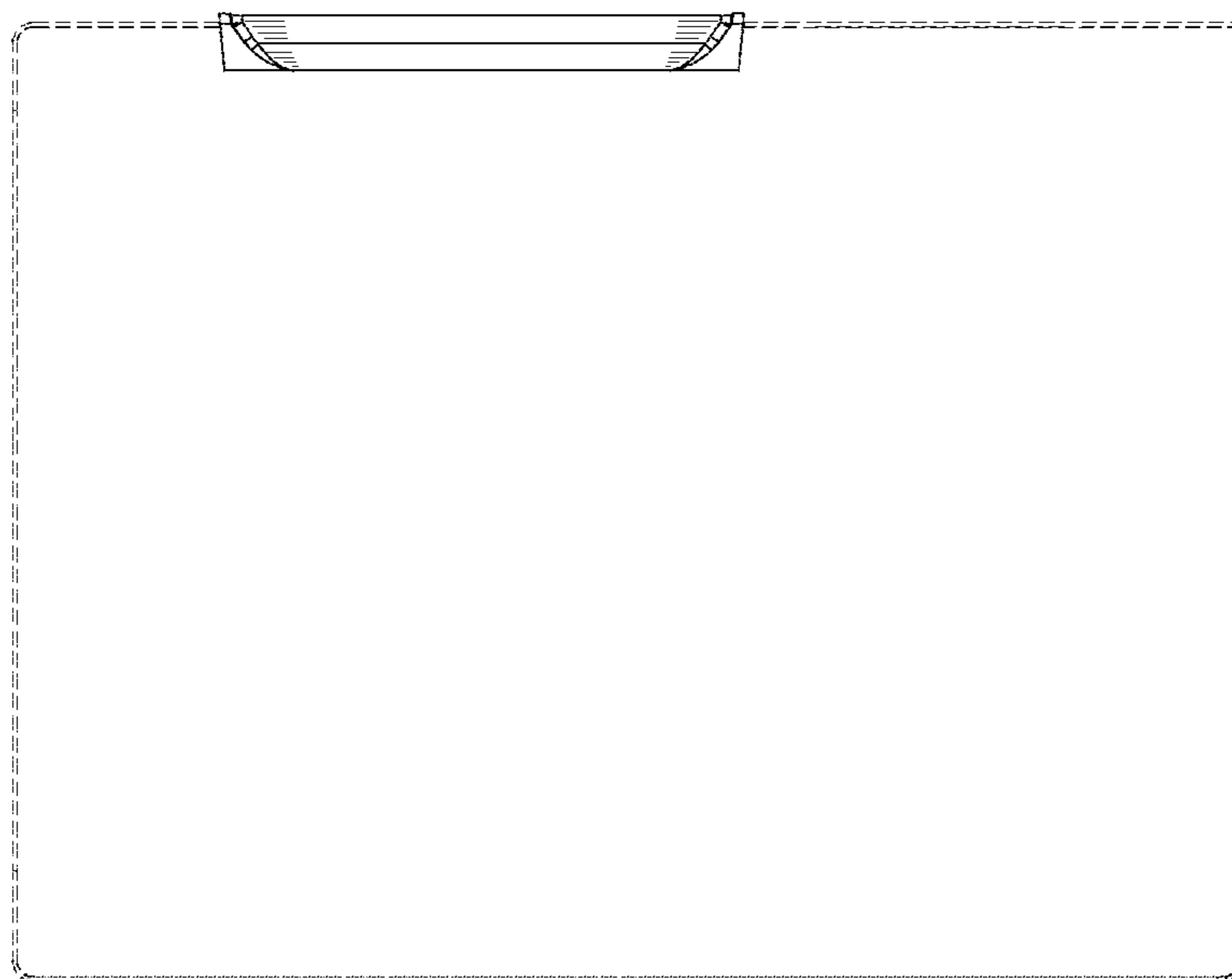


FIG. 7

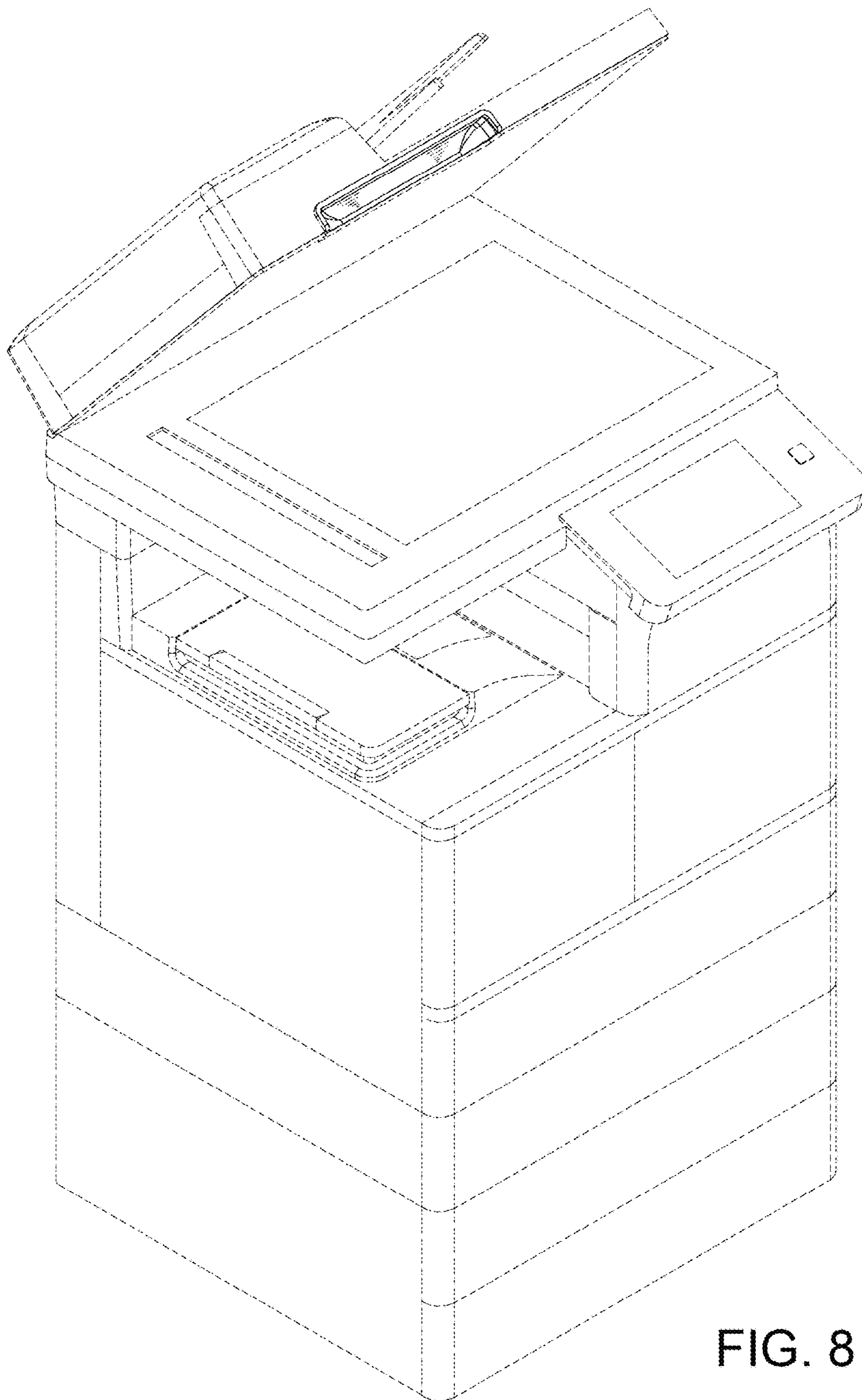


FIG. 8

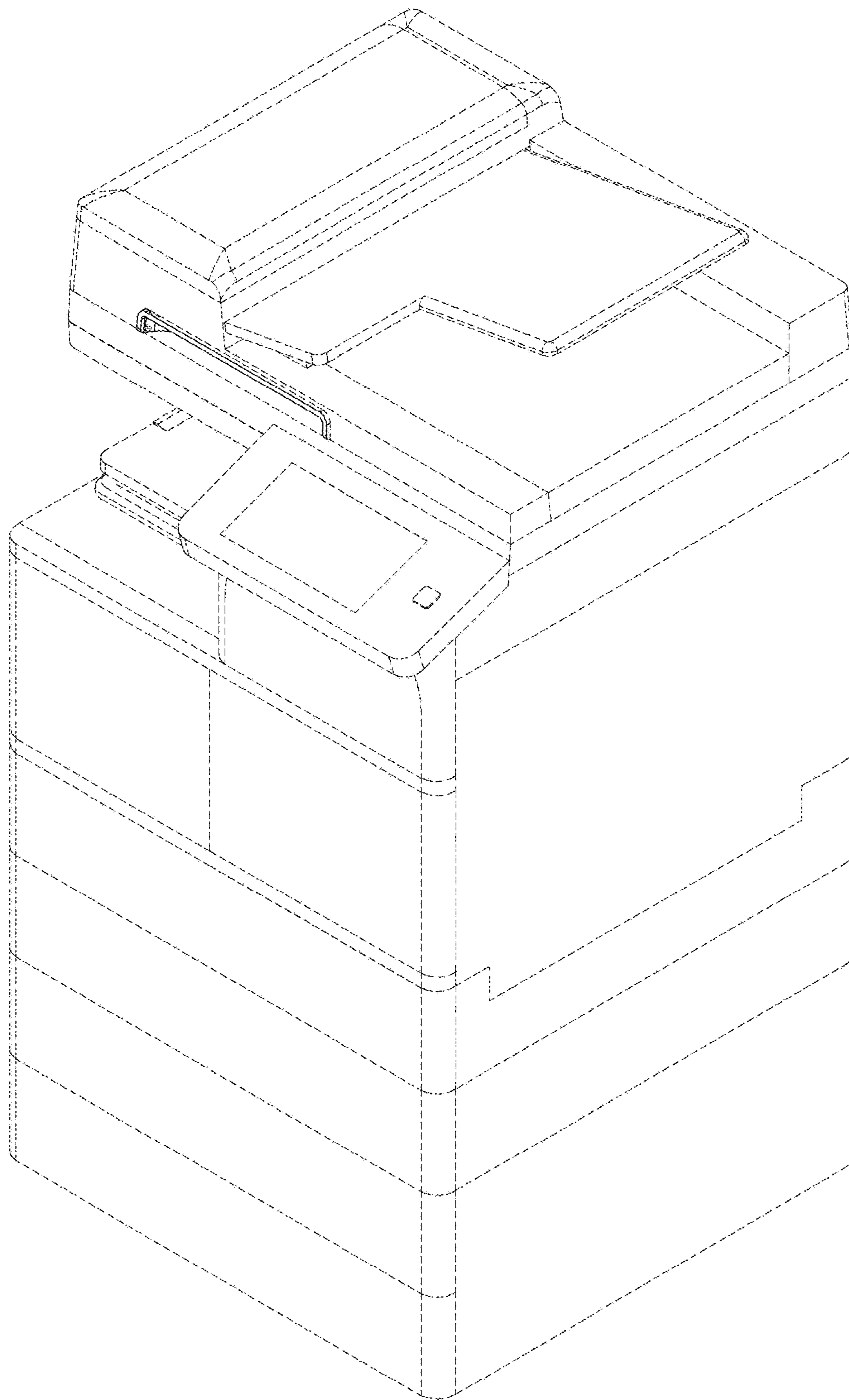


FIG. 9

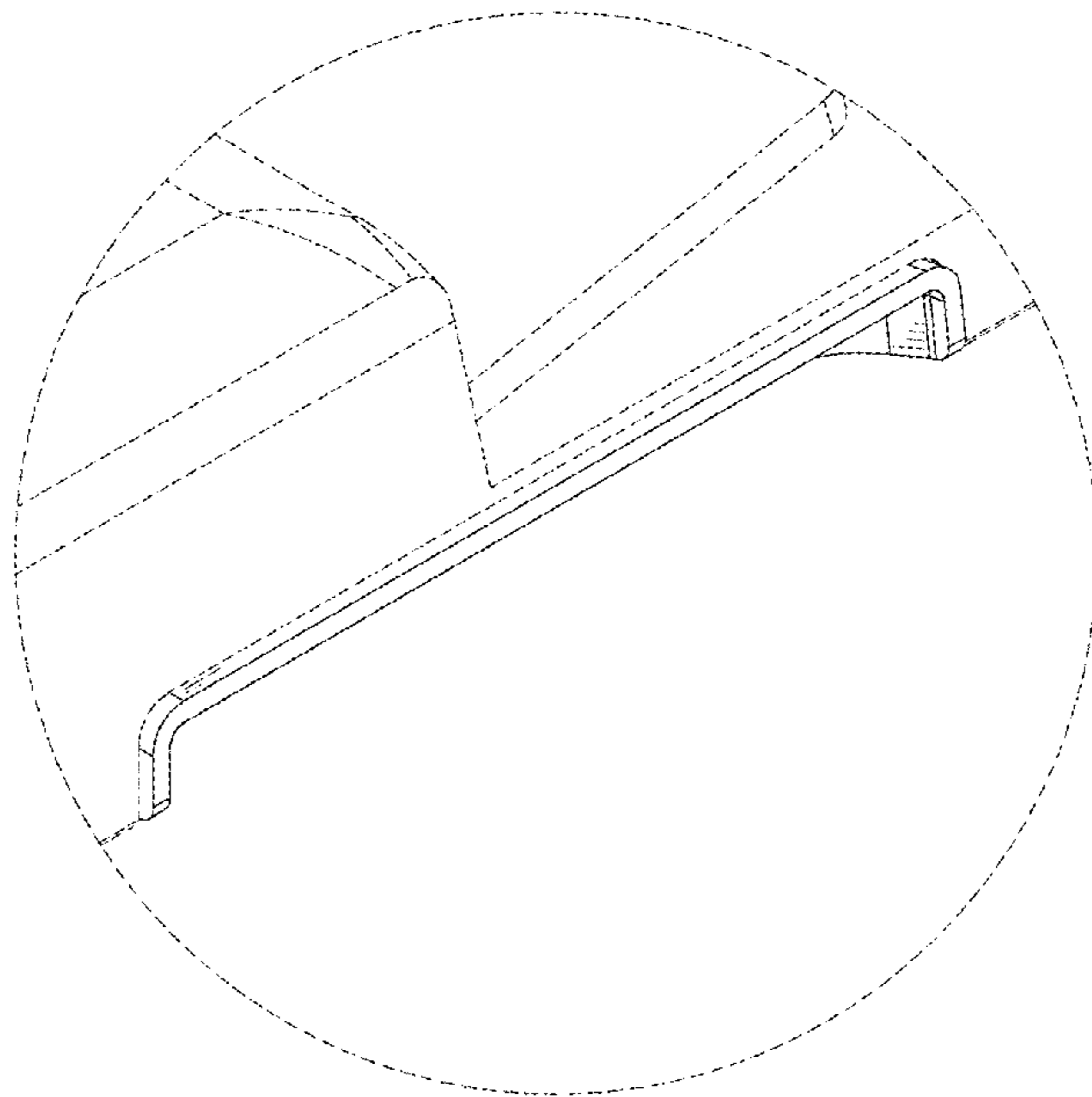


FIG. 10