



US00D795340S

(12) **United States Design Patent** (10) **Patent No.:** **US D795,340 S**  
**Taguchi et al.** (45) **Date of Patent:** **\*\* Aug. 22, 2017**

(54) **TONER CARTRIDGE**

(71) Applicant: **BROTHER INDUSTRIES, LTD.**,  
Nagoya-shi, Aichi-ken (JP)

(72) Inventors: **Kazuna Taguchi**, Nagoya (JP); **Koji Abe**, Nagoya (JP); **Motoaki Mushika**, Hashima (JP); **Takuya Kanda**, Nagoya (JP); **Yasuo Fukamachi**, Nagoya (JP)

(73) Assignee: **BROTHER INDUSTRIES, LTD.**,  
Nagoya (JP)

(\*\*) Term: **15 Years**

(21) Appl. No.: **29/551,717**

(22) Filed: **Jan. 15, 2016**

(30) **Foreign Application Priority Data**

Oct. 15, 2015 (JP) ..... 2015-022747  
Oct. 15, 2015 (JP) ..... 2015-022748

(51) **LOC (10) Cl.** ..... **16-03**

(52) **U.S. Cl.**  
USPC ..... **D18/43**

(58) **Field of Classification Search**  
USPC ..... D18/36, 37, 39, 40, 41, 44, 45, 46, 47,  
D18/48, 49, 50, 51, 52, 53, 54, 55, 56;  
(Continued)

(56) **References Cited**

**U.S. PATENT DOCUMENTS**

D422,304 S 4/2000 Suzuki et al.  
D442,216 S 5/2001 Kimura et al.  
(Continued)

**OTHER PUBLICATIONS**

Brother Printer TN880 Super High Yield Toner, posted Mar. 15, 2016 [online], retrieved Sep. 28, 2016, Retrieved from Internet,

URL: <[https://www.amazon.com/Brother-TN3430-Toner-Black-Std/dp/B01BFHH180/ref=sr\\_1\\_1?ie=UTF8&qid=1475109677&sr=8-1&keywords=TN3430](https://www.amazon.com/Brother-TN3430-Toner-Black-Std/dp/B01BFHH180/ref=sr_1_1?ie=UTF8&qid=1475109677&sr=8-1&keywords=TN3430)>.\*

(Continued)

*Primary Examiner* — Barbara Fox  
*Assistant Examiner* — Mary C Ramirez  
(74) *Attorney, Agent, or Firm* — Oliff PLC

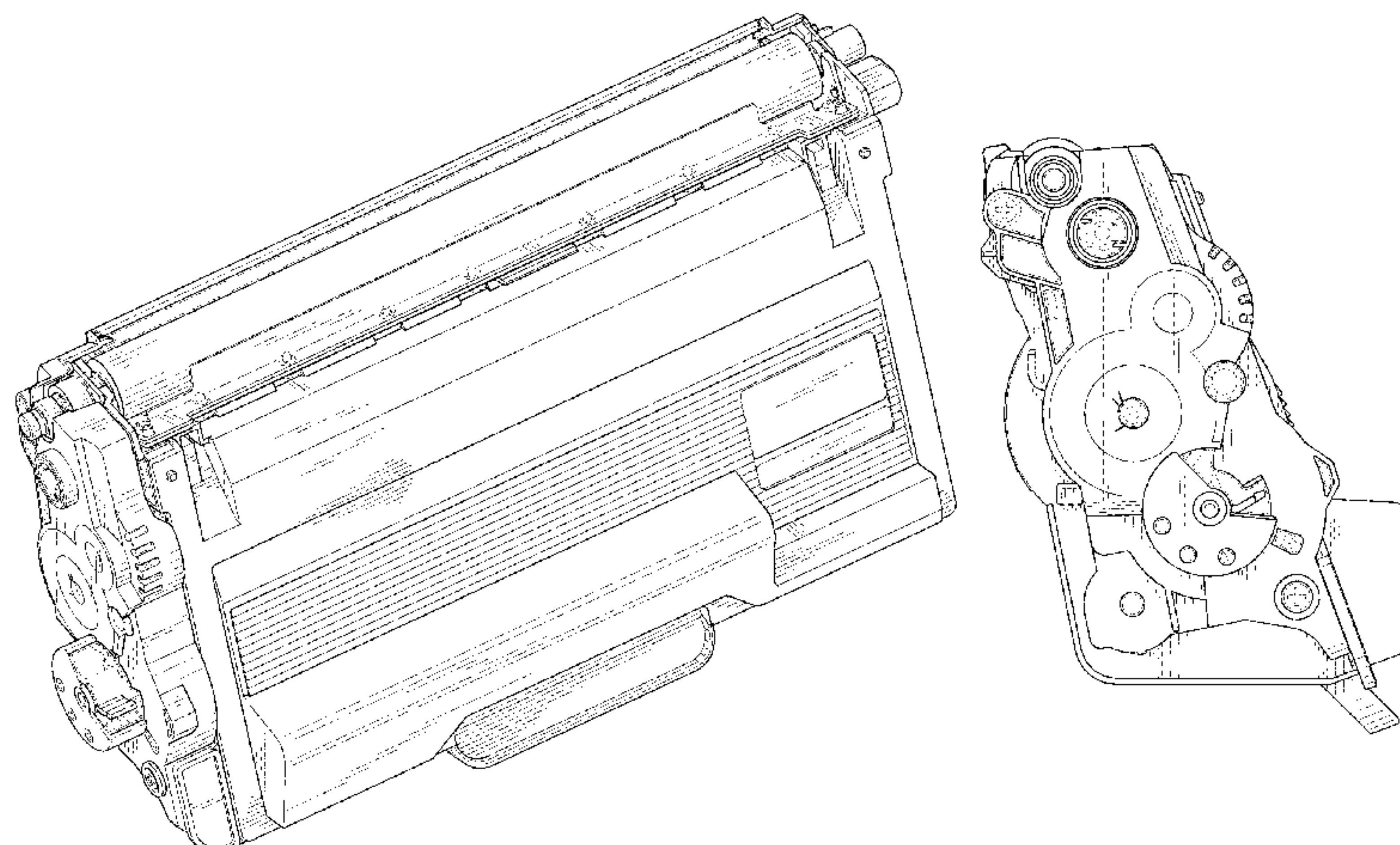
(57) **CLAIM**

The ornamental design for a toner cartridge, as shown and described.

**DESCRIPTION**

FIG. 1 is a top, front, left-side perspective view of a first embodiment of a toner cartridge showing the new design; FIG. 2 is a front view of the first embodiment thereof; FIG. 3 is a top view of the first embodiment thereof; FIG. 4 is a left-side view of the first embodiment thereof; FIG. 5 is a right-side view of the first embodiment thereof; FIG. 6 is a rear view of the first embodiment thereof; FIG. 7 is a bottom view of the first embodiment thereof; FIG. 8 is a bottom, rear, left-side perspective view of the first embodiment thereof; FIG. 9 is a bottom, front, right-side perspective view of the first embodiment thereof; FIG. 10 is a top, front, left-side perspective view of a second embodiment of a toner cartridge showing the new design; FIG. 11 is a front view of the second embodiment thereof; FIG. 12 is a top view of the second embodiment thereof; FIG. 13 is a left-side view of the second embodiment thereof; FIG. 14 is a right-side view of the second embodiment thereof; FIG. 15 is a rear view of the second embodiment thereof; FIG. 16 is a bottom view of the second embodiment thereof; FIG. 17 is a bottom, rear, left-side perspective view of the second embodiment thereof; and, FIG. 18 is a bottom, front, right-side perspective view of the second embodiment thereof.

(Continued)



The broken lines shown in the drawings illustrate portions of the toner cartridge that form no part of the claimed design.

**1 Claim, 16 Drawing Sheets**

**(58) Field of Classification Search**

USPC ..... D14/462, 463, 464, 465, 466, 467, 468, D14/469, 470, 471, 301, 307, 129, 130  
 CPC ..... B41J 3/00; B41J 3/28; B41J 3/445; B41J 3/46; B65H 11/00; B65H 11/002; B65H 2301/331; B65H 29/46; G03B 27/04; G03B 27/08; G03B 27/14; G03B 27/16; G03G 15/00; G03G 15/04; G03G 15/23; G03G 15/28; G03G 15/50; G03G 15/55; G03G 15/60; G03G 15/65; G03G 15/221; G03G 15/5075; G03G 15/6558; G03G 15/0832; G03G 15/0834; G03G 15/0836; G03G 15/0837; G03G 15/0877; G03G 15/0867; G03G 15/0868; G03G 15/0872; G03G 15/0898; G03G 15/5016; G03G 15/0841; G03G 21/1853; G03G 21/20; G03G 21/18; G03G 21/08; G03G 21/16; G03G 2221/1654; G03G 2221/183; G03G 2221/1684; G03G 2221/1645; G03F 7/70716; G06K 15/12; G06K 15/14; H04N 1/00204; H04N 1/00249; H04N 1/00278; H04N 1/00602; H04N 1/00631

See application file for complete search history.

**(56) References Cited**

**U.S. PATENT DOCUMENTS**

D471,228 S 3/2003 Okabe et al.  
 D506,776 S 6/2005 Kobayashi et al.  
 D507,296 S 7/2005 Ishii et al.  
 D507,595 S 7/2005 Kobayashi et al.  
 D507,596 S 7/2005 Kobayashi et al.  
 D507,597 S 7/2005 Kobayashi et al.  
 D507,809 S 7/2005 Kobayashi et al.  
 D508,945 S 8/2005 Ishii et al.  
 D510,947 S 10/2005 Ishii et al.  
 D511,542 S 11/2005 Ishii et al.  
 D512,092 S 11/2005 Kobayashi et al.  
 D512,454 S 12/2005 Ishii et al.  
 D522,564 S 6/2006 Ishii et al.  
 D528,148 S 9/2006 Ishii et al.  
 D531,660 S 11/2006 Ishii et al.  
 D531,661 S 11/2006 Ishii et al.  
 D533,215 S 12/2006 Ishii et al.  
 D533,583 S 12/2006 Kobayashi et al.  
 D550,764 S 9/2007 Ishikawa et al.  
 D550,765 S 9/2007 Ishikawa et al.  
 D550,766 S 9/2007 Takagi  
 D550,767 S 9/2007 Kishi  
 D566,169 S 4/2008 Ishikawa et al.  
 D590,992 S 4/2009 Ishii et al.  
 D595,343 S 6/2009 Ishikawa et al.  
 D595,344 S 6/2009 Ishikawa  
 D601,183 S 9/2009 Ishikawa et al.  
 D631,094 S 1/2011 Sato et al.  
 D637,225 S 5/2011 Kishi et al.

D638,051 S 5/2011 Sato et al.  
 D638,052 S 5/2011 Sato et al.  
 D638,054 S 5/2011 Sato et al.  
 D638,055 S 5/2011 Sato et al.  
 D652,862 S 1/2012 Mori et al.  
 D694,815 S 12/2013 Fukamachi et al.  
 D694,816 S 12/2013 Fukamachi et al.  
 8,787,786 B2\* 7/2014 Sato ..... 399/111  
 D718,380 S 11/2014 Mori et al.  
 D718,381 S 11/2014 Itabashi et al.  
 D723,614 S 3/2015 Shimizu et al.  
 9,316,991 B2\* 4/2016 Takagi ..... G03G 15/80  
 9,383,720 B1\* 7/2016 Fukamachi ..... G03G 21/1821  
 2001/0038758 A1\* 11/2001 Oguma ..... G03G 21/1814  
 399/27  
 2006/0238599 A1\* 10/2006 Kishi ..... G03G 15/0877  
 347/140  
 2007/0009281 A1\* 1/2007 Sato ..... G03B 21/18  
 399/90  
 2007/0147881 A1\* 6/2007 Okabe ..... G03G 21/1864  
 399/110  
 2007/0147888 A1\* 6/2007 Igarashi ..... G03G 15/0896  
 399/119  
 2007/0217818 A1\* 9/2007 Shiraki ..... G03G 15/0896  
 399/111  
 2009/0169256 A1\* 7/2009 Kamimura ..... G03G 21/1871  
 399/119  
 2011/0158685 A1\* 6/2011 Takagi ..... G03G 15/0896  
 399/119  
 2011/0158704 A1\* 6/2011 Takagi ..... G03G 15/0808  
 399/279  
 2012/0051795 A1\* 3/2012 Mushika ..... G03G 15/0863  
 399/262  
 2012/0251165 A1\* 10/2012 Mushika ..... G03G 21/16  
 399/110  
 2012/0321345 A1\* 12/2012 Shinoya ..... G03G 21/1864  
 399/119  
 2013/0136460 A1\* 5/2013 Shiraki ..... G03G 21/1896  
 399/12  
 2013/0287425 A1\* 10/2013 Takagi ..... G03G 15/0806  
 399/90  
 2013/0287430 A1\* 10/2013 Fukamachi ..... G03G 15/0898  
 399/103  
 2013/0287431 A1\* 10/2013 Fukamachi ..... G03G 15/0898  
 399/103  
 2014/0086619 A1\* 3/2014 Itabashi ..... G03G 15/0898  
 399/103  
 2015/0355573 A1\* 12/2015 Jeong ..... G03G 15/0862  
 399/58  
 2016/0223947 A1\* 8/2016 Fukamachi ..... G03G 15/0867  
 2016/0231695 A1\* 8/2016 Taguchi ..... G03G 15/50

**OTHER PUBLICATIONS**

Brother TN3430, posted Nov. 16, 2015 [online], retrieved Sep. 28, 2016, Retrieved from Internet, URL: <[https://www.amazon.com/Brother-Printer-TN880-Super-Yield/dp/B01825OHX0/ref=sr\\_1\\_1?ie=UTF8&qid=1475109398&sr=8-1&keywords=tn+880](https://www.amazon.com/Brother-Printer-TN880-Super-Yield/dp/B01825OHX0/ref=sr_1_1?ie=UTF8&qid=1475109398&sr=8-1&keywords=tn+880)>.\*  
 U.S. Appl. No. 29/535,564, filed Aug. 7, 2015 in the name of Brother Industries, Ltd.  
 U.S. Appl. No. 29/535,615, filed Aug. 7, 2015 in the name of Brother Industries, Ltd.  
 U.S. Appl. No. 29/535,550, filed Aug. 7, 2015 in the name of Brother Industries, Ltd.

\* cited by examiner



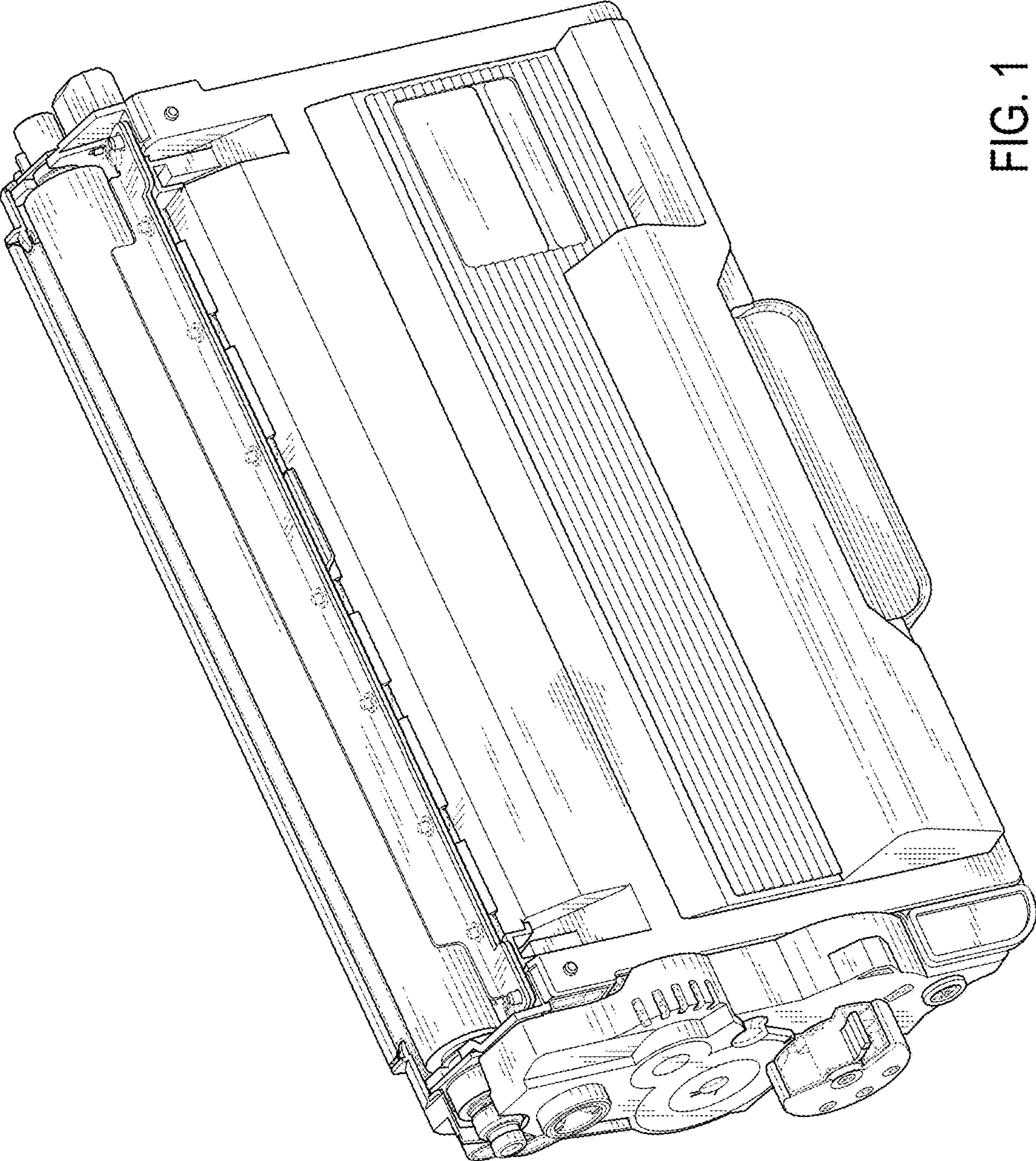


FIG. 1

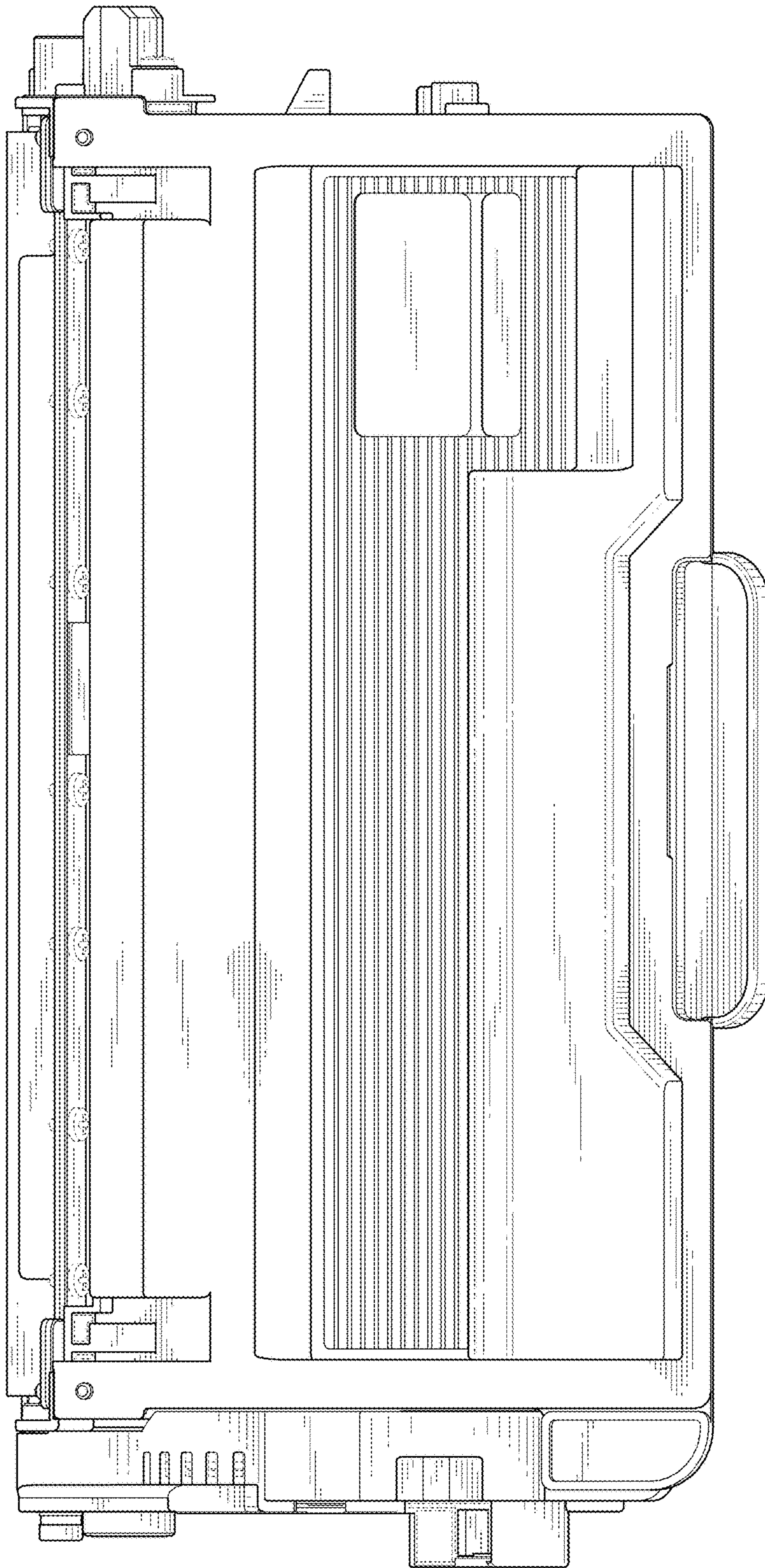


FIG. 2



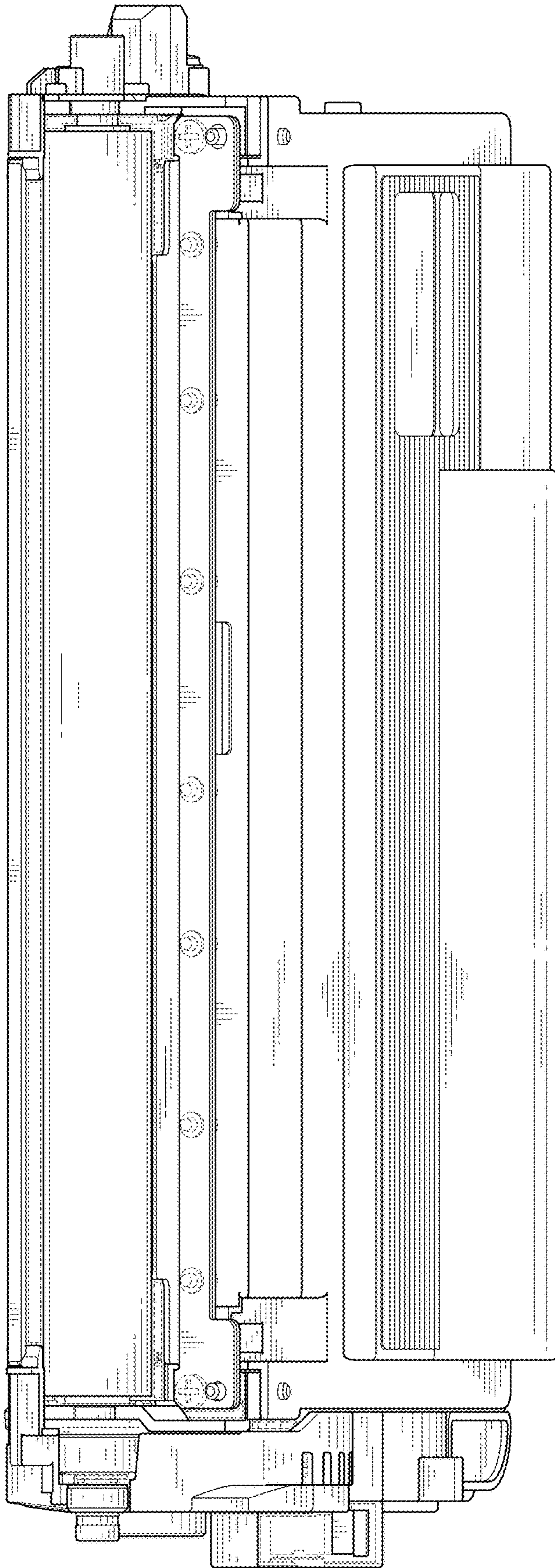


FIG. 3

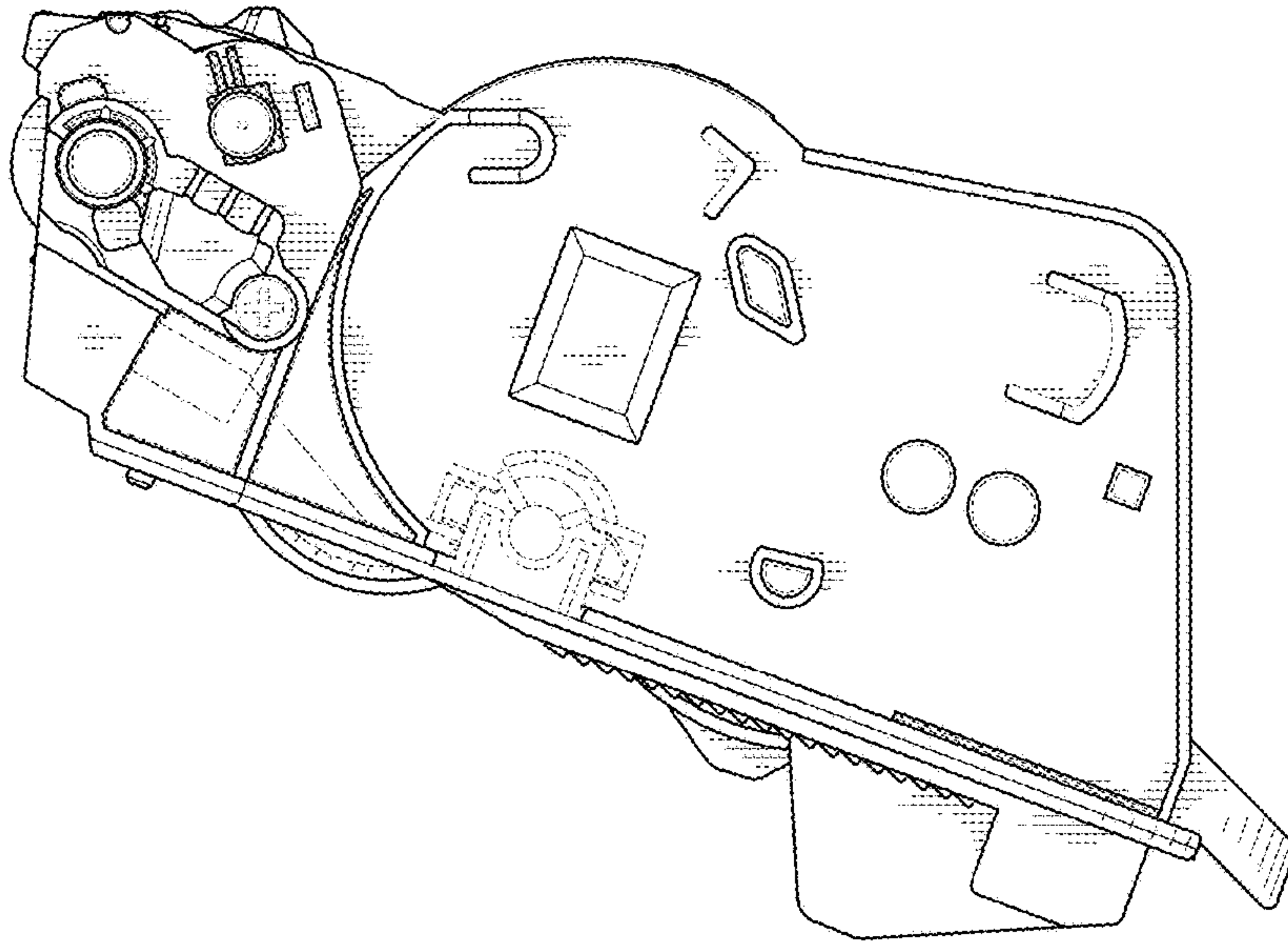


FIG. 5

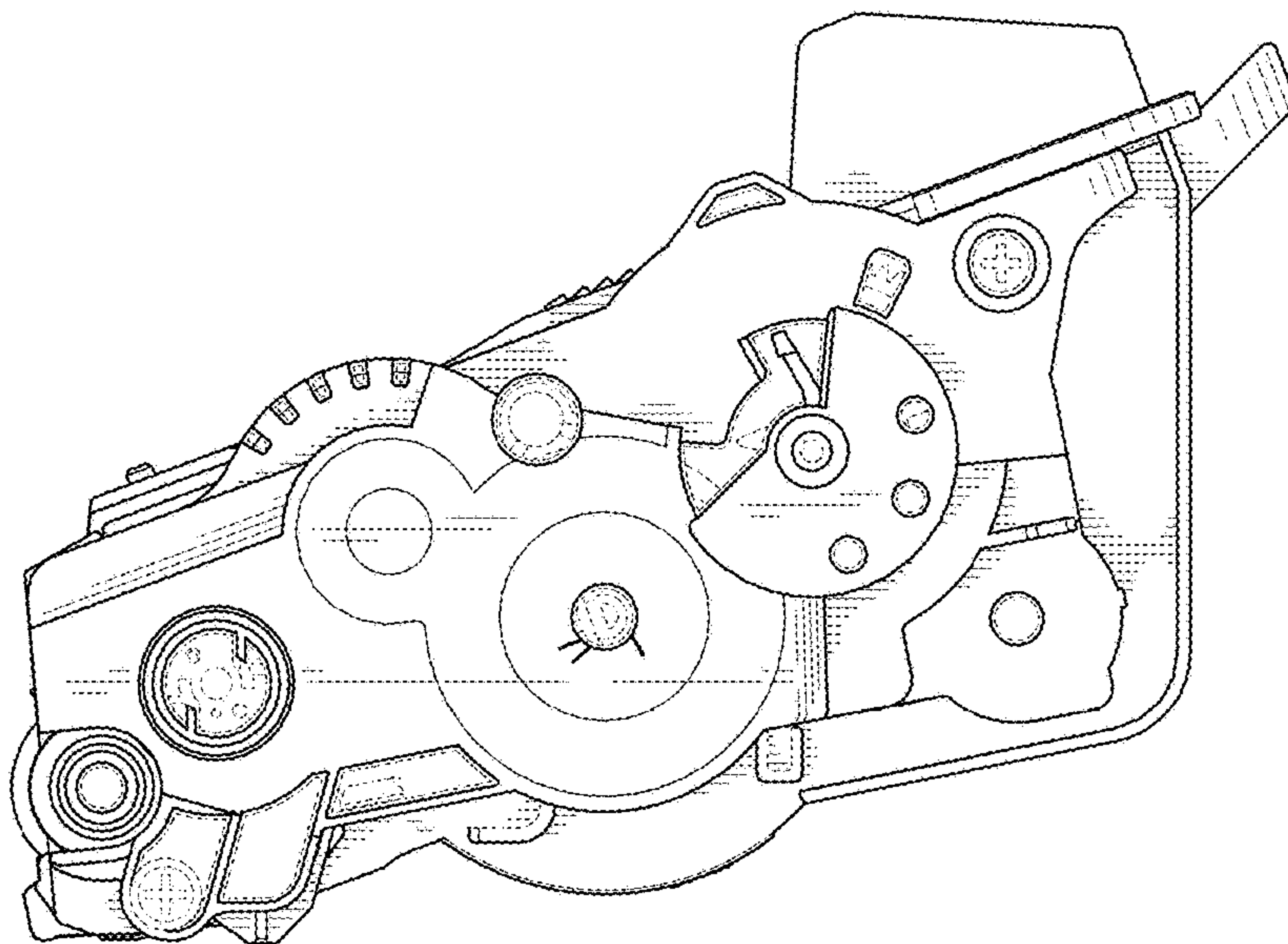


FIG. 4



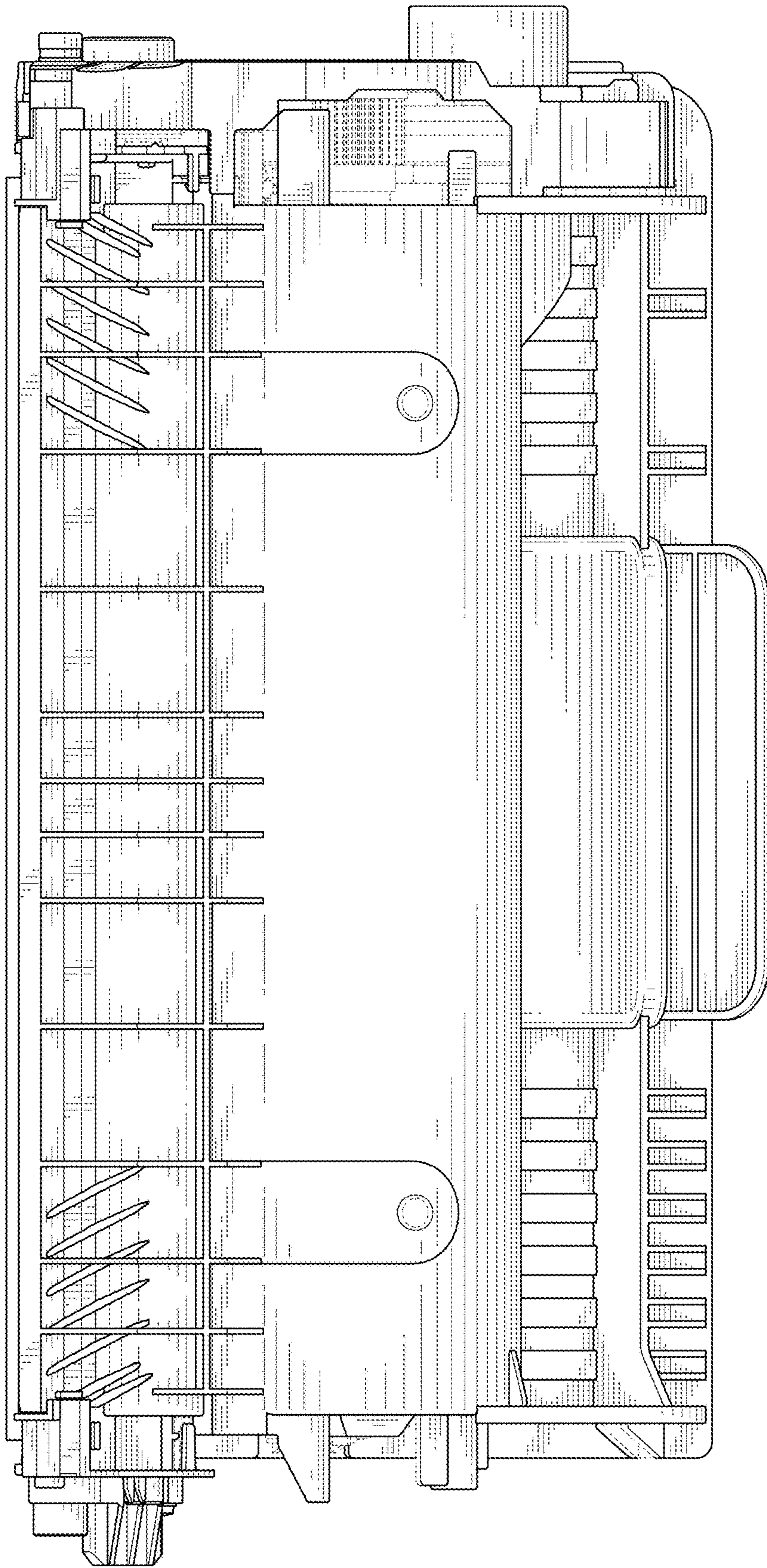


FIG. 6

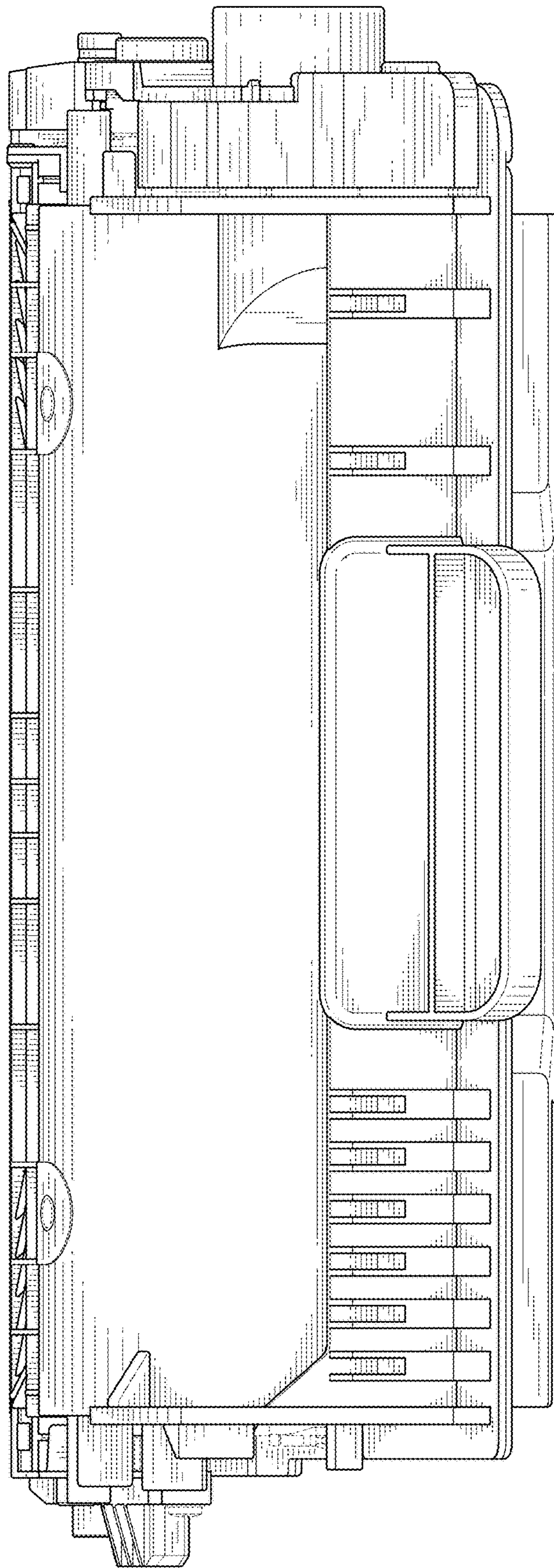


FIG. 7



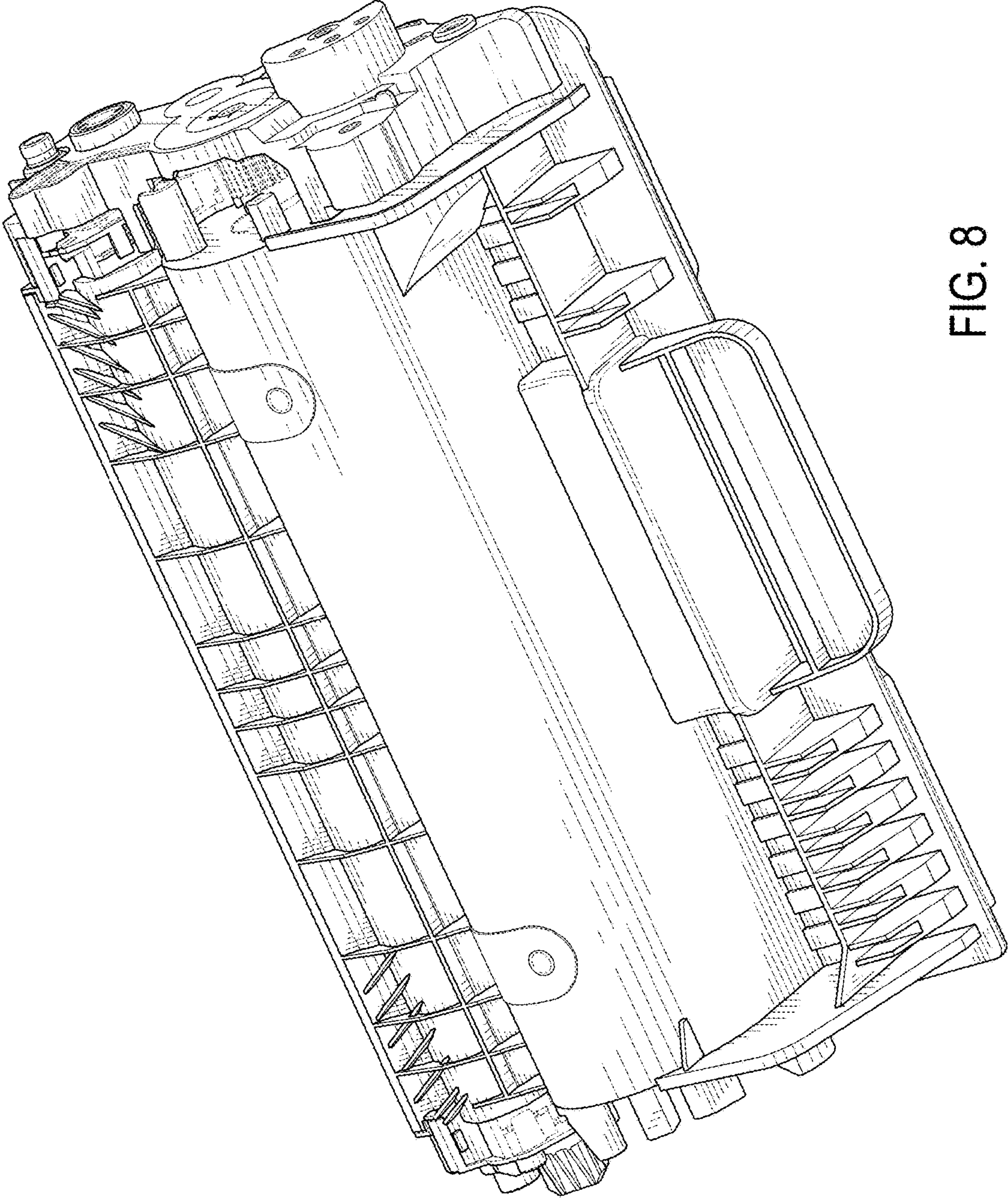


FIG. 8

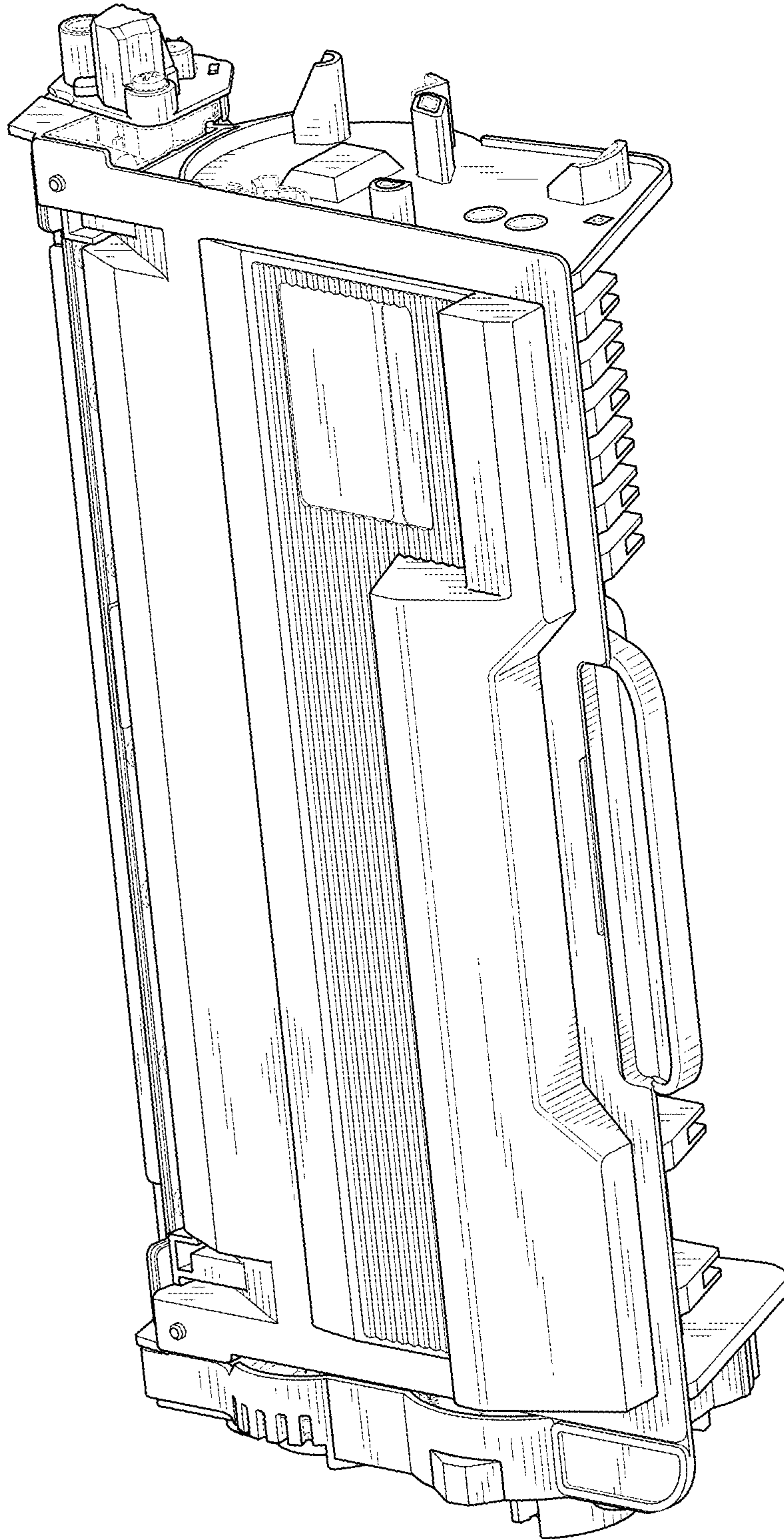


FIG. 9



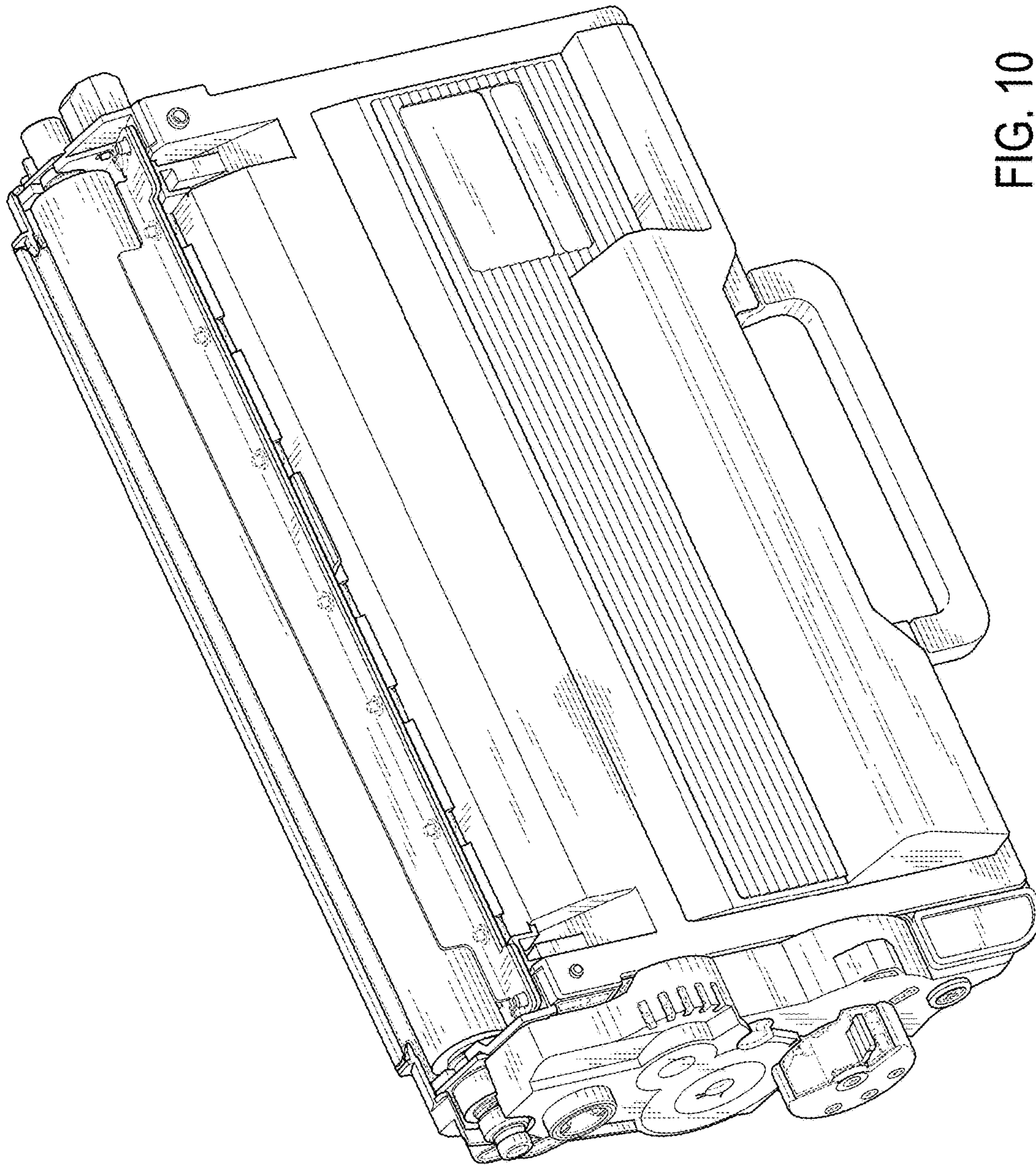


FIG. 10

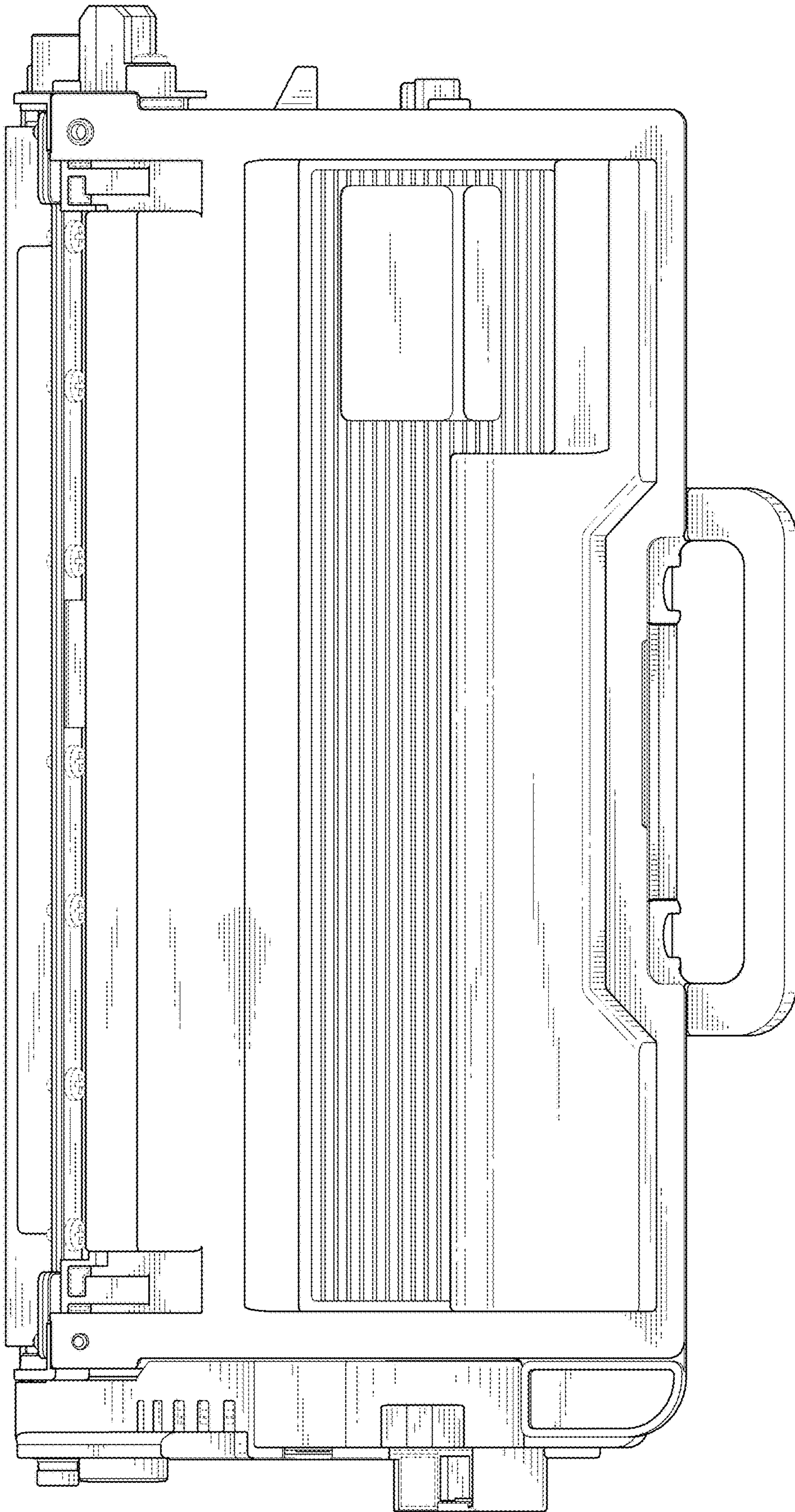


FIG. 11



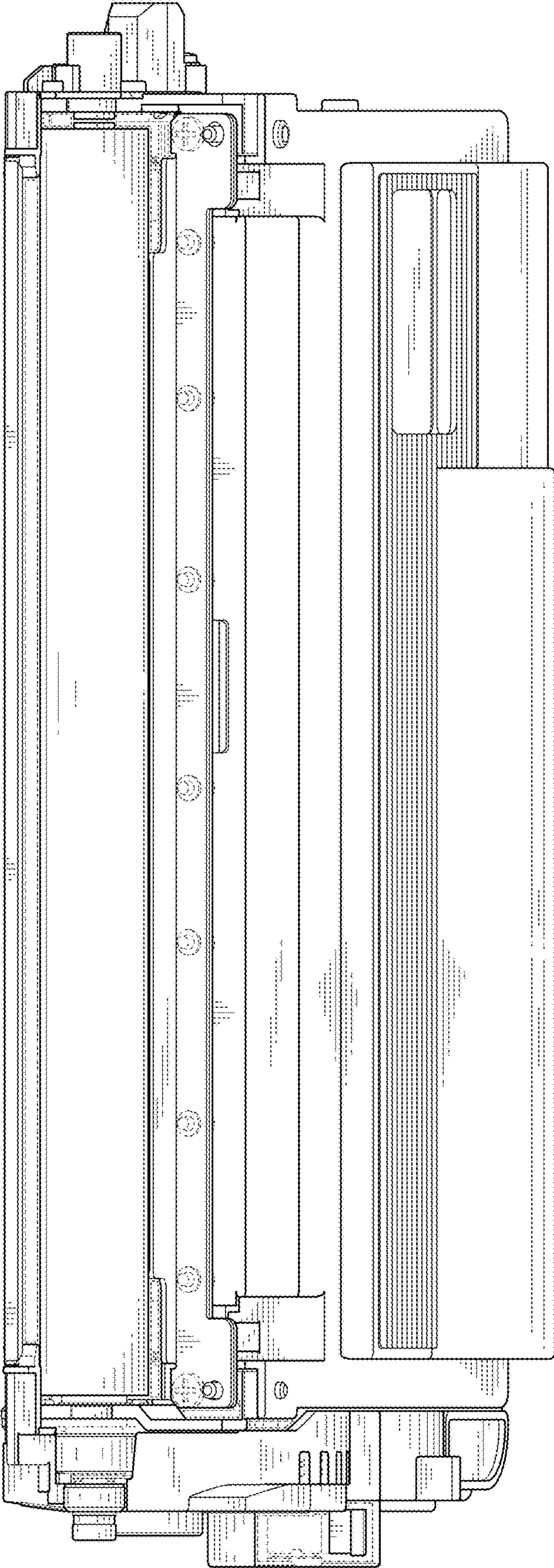


FIG. 12

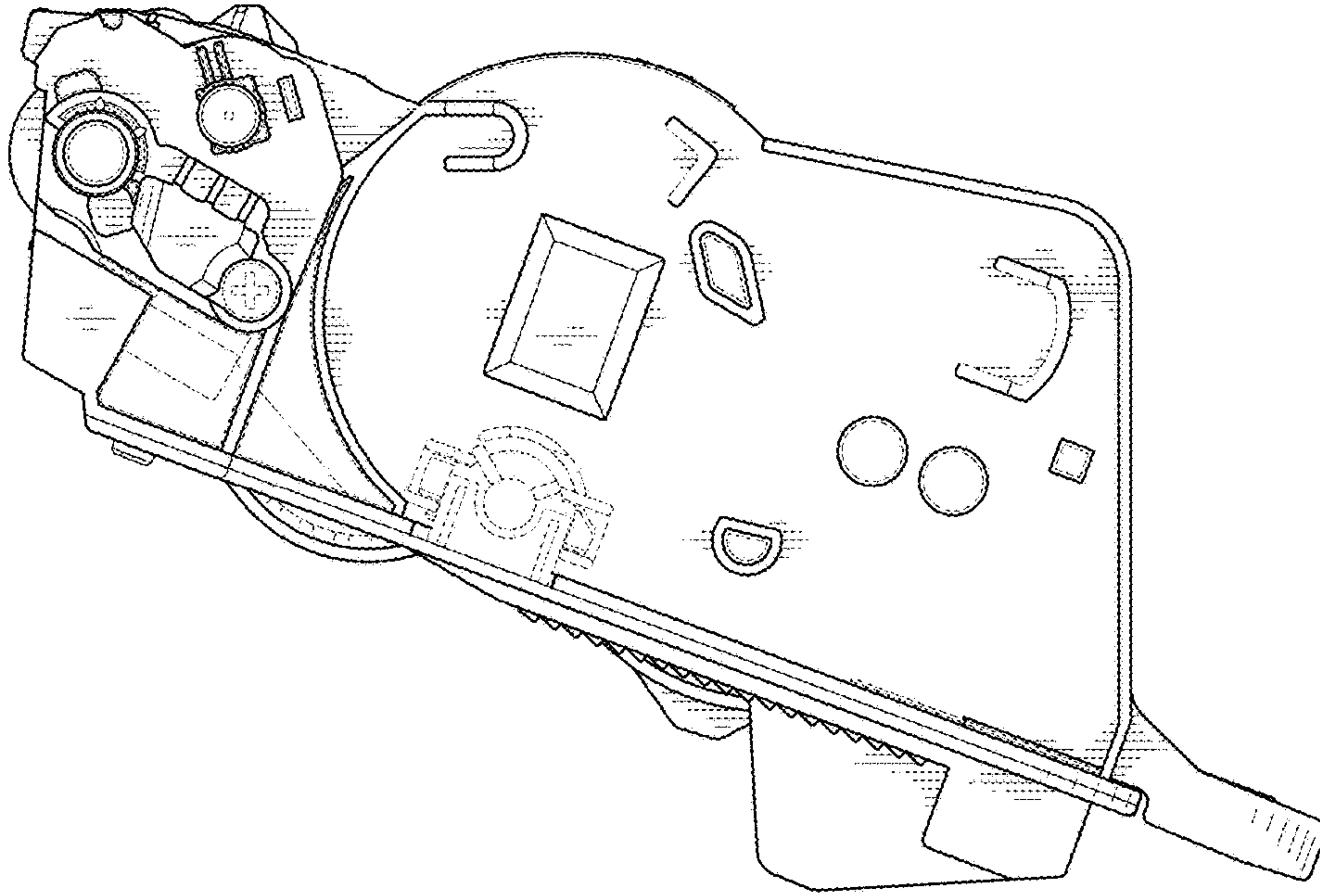


FIG. 14

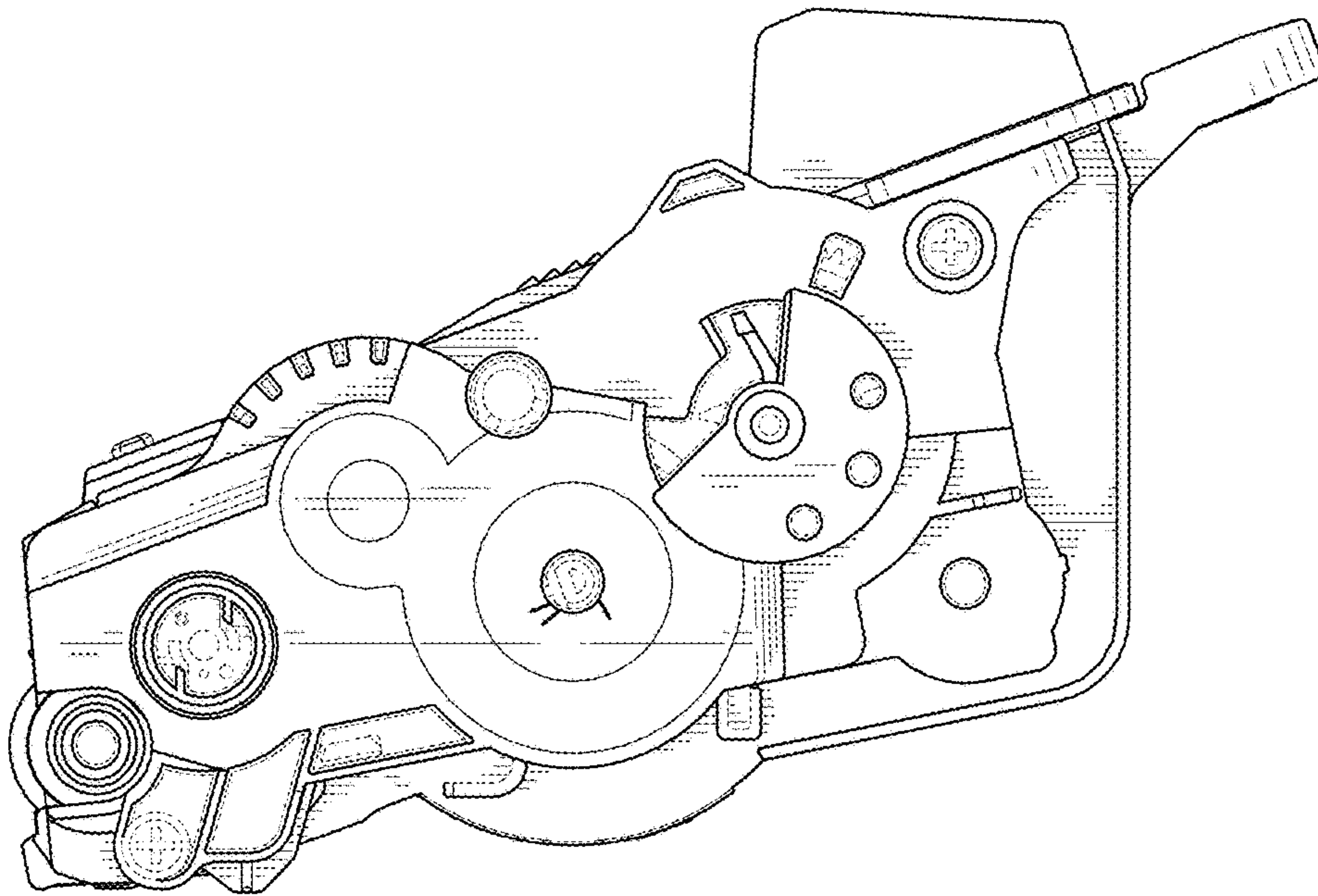


FIG. 13



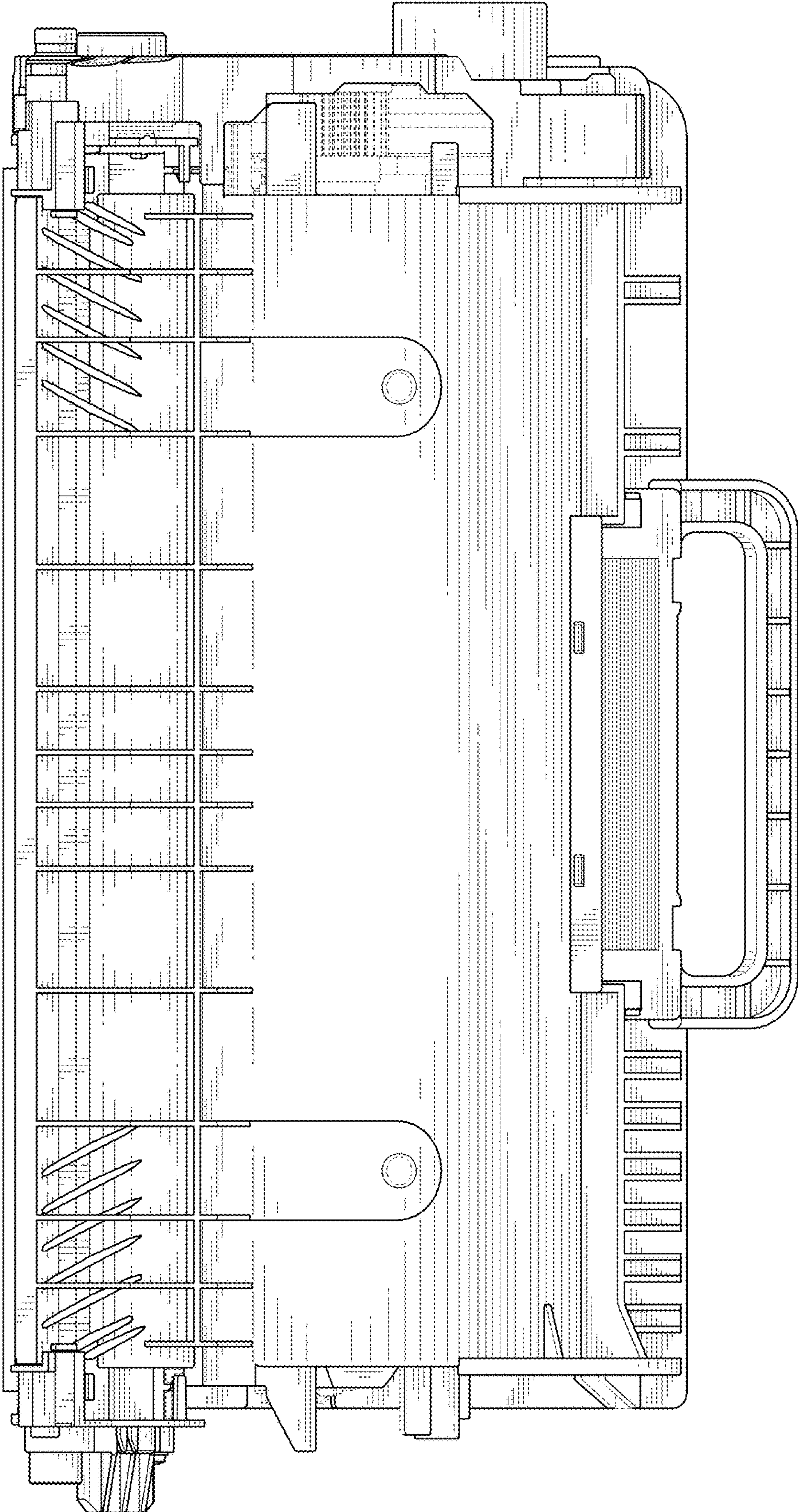


FIG. 15

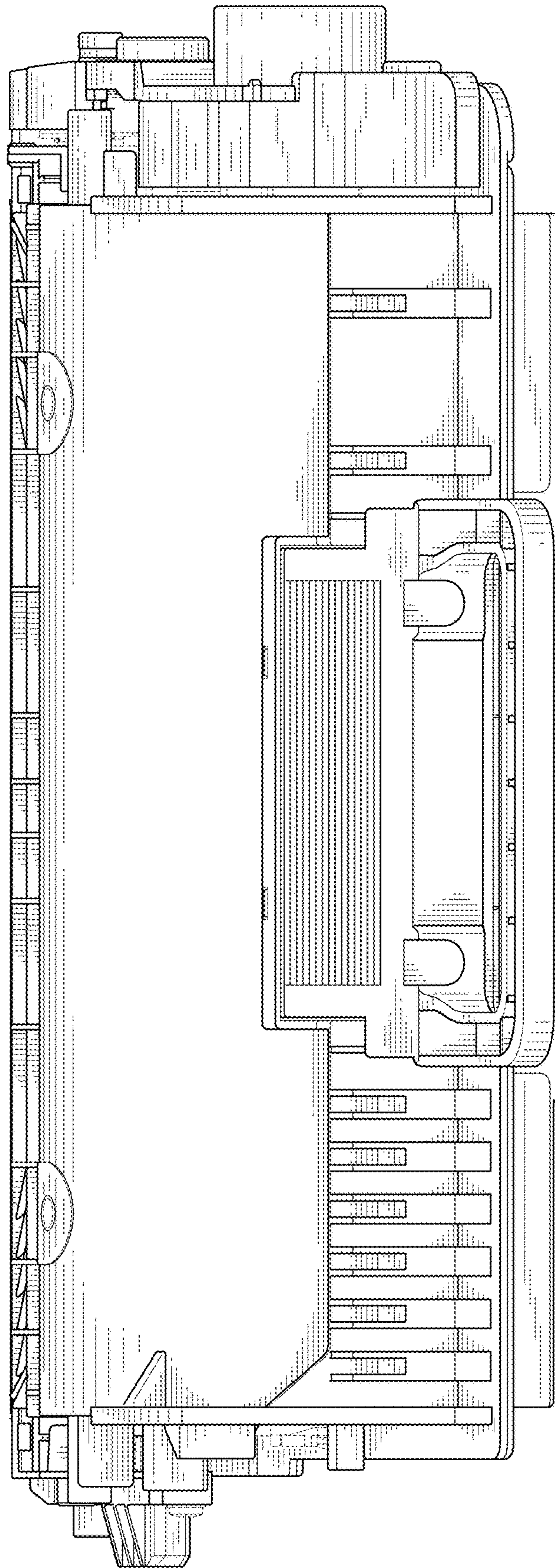


FIG. 16



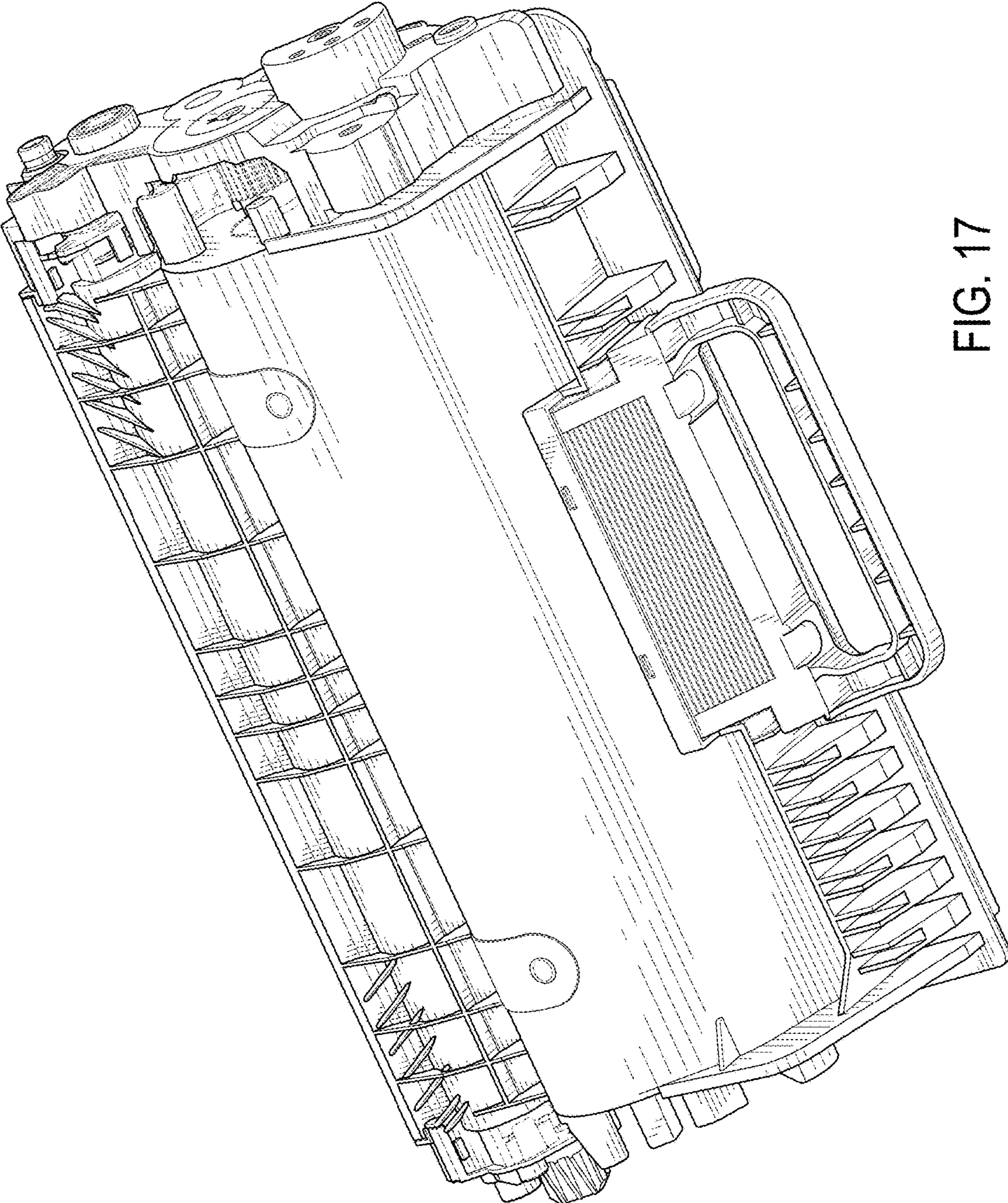


FIG. 17

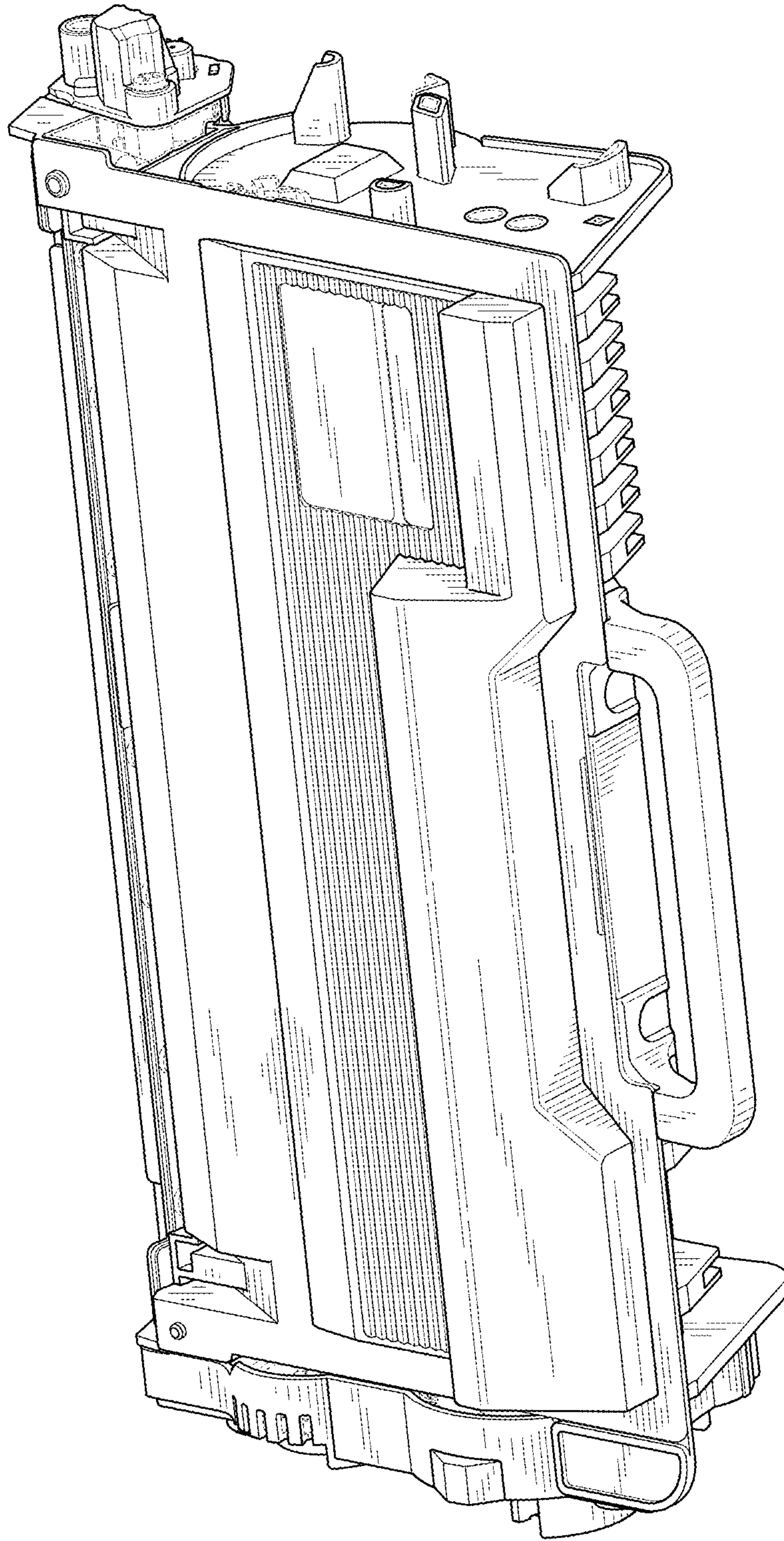


FIG. 18