



US00D795338S

(12) **United States Design Patent** (10) **Patent No.:** **US D795,338 S**
Umezawa et al. (45) **Date of Patent:** **** Aug. 22, 2017**

(54) **CUTTING PLOTTER**

D534,204 S * 12/2006 Workman D18/34.3
D680,157 S * 4/2013 Umezawa D18/34.3
D696,339 S * 12/2013 Hasui D18/34.3

(71) Applicant: **Graphtec Corporation**, Kanagawa (JP)

(Continued)

(72) Inventors: **Takahisa Umezawa**, Kanagawa (JP);
Kazuhiro Watanabe, Kanagawa (JP)

FOREIGN PATENT DOCUMENTS

(73) Assignee: **Graphtec Corporation**, Kanagawa (JP)

CN 3429860 * 3/2005
JP 05285885 A * 11/1993 B26D 5/00
JP 06126696 A * 5/1994 B26D 5/00

(**) Term: **15 Years**

(Continued)

(21) Appl. No.: **29/531,251**

OTHER PUBLICATIONS

(22) Filed: **Jun. 24, 2015**

YouTube. <URL: <https://www.youtube.com/watch?v=YT7tgeMHyZs>> Published Mar. 6, 2013. Graphtec CE6000-60 Vinyl Cutter/Plotter.*

(30) **Foreign Application Priority Data**

(Continued)

Jan. 7, 2015 (JP) 2015-000150

(51) **LOC (10) Cl.** **18-04**

Primary Examiner — Bridget L Eland

(52) **U.S. Cl.**

Assistant Examiner — Lauren McVey

USPC **D18/34.3**; D18/53

(74) *Attorney, Agent, or Firm* — Meyertons, Hood, Kivlin, Kowert & Goetzel, P.C.; Eric B. Meyertons

(58) **Field of Classification Search**

(57) **CLAIM**

USPC D18/34.1, 34.3, 34.7, 34.8, 34.9, 53, 50,
D18/55, 56, 59, 36–39, 46–49; D14/301,
D14/303

The ornamental design for a cutting plotter, as shown and described.

CPC B26D 1/065; B26D 1/045

DESCRIPTION

See application file for complete search history.

FIG. 1 is a front, right, and top perspective view of a cutting plotter showing our new design;
FIG. 2 is a front view thereof;
FIG. 3 is a rear view thereof;
FIG. 4 is a left side view thereof;
FIG. 5 is a right side view thereof;
FIG. 6 is a top plan view thereof;
FIG. 7 is a bottom plan view thereof; and,
FIG. 8 is a perspective view thereof, showing the cover in an open position.

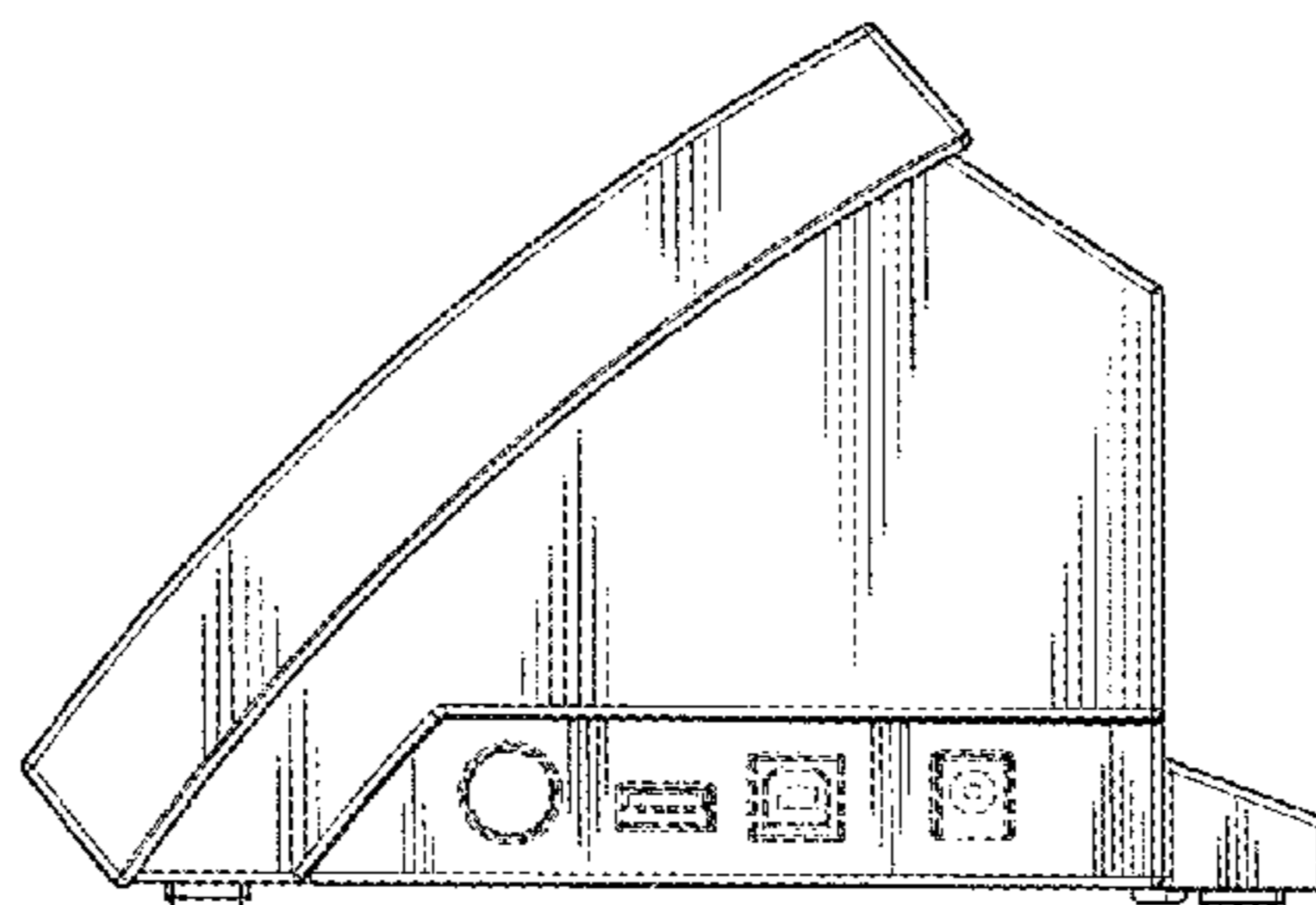
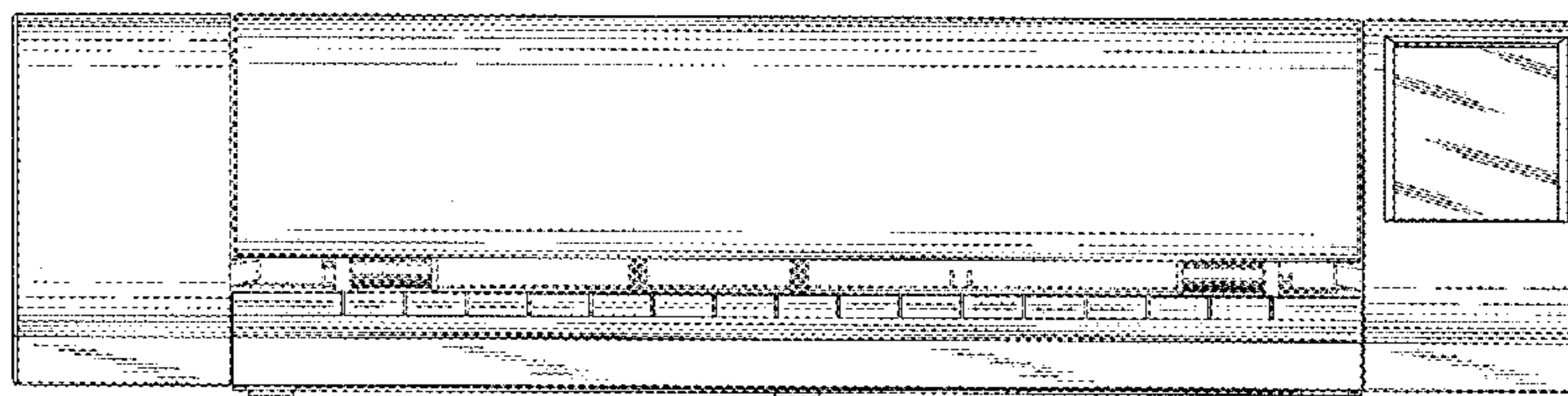
The broken lines showing the internal structure are directed to environment and are for illustrative purposes only; the broken lines form no part of the claimed design.

(56) **References Cited**

1 Claim, 6 Drawing Sheets

U.S. PATENT DOCUMENTS

D240,162 S * 6/1976 Matwey D18/36
D295,613 S * 5/1988 Tanner D10/46
4,886,198 A * 12/1989 de Larosiere B41L 1/14
225/1
D350,075 S * 8/1994 Reeder D10/94
D407,740 S * 4/1999 Ina D18/53
D483,059 S * 12/2003 Goh D18/50
D497,940 S * 11/2004 Hwang D18/50
7,029,113 B2 * 4/2006 Hwang B41J 29/13
347/108
D523,469 S * 6/2006 Hwang D18/50



(56)

References Cited

U.S. PATENT DOCUMENTS

D720,395 S * 12/2014 Umezawa D18/34.3

FOREIGN PATENT DOCUMENTS

JP	1235583	4/2005
JP	1345947	12/2008
JP	1447217	7/2012

OTHER PUBLICATIONS

Vietnamese Office Action for VN 3-2015-01087 dated Jul. 27, 2016.

* cited by examiner

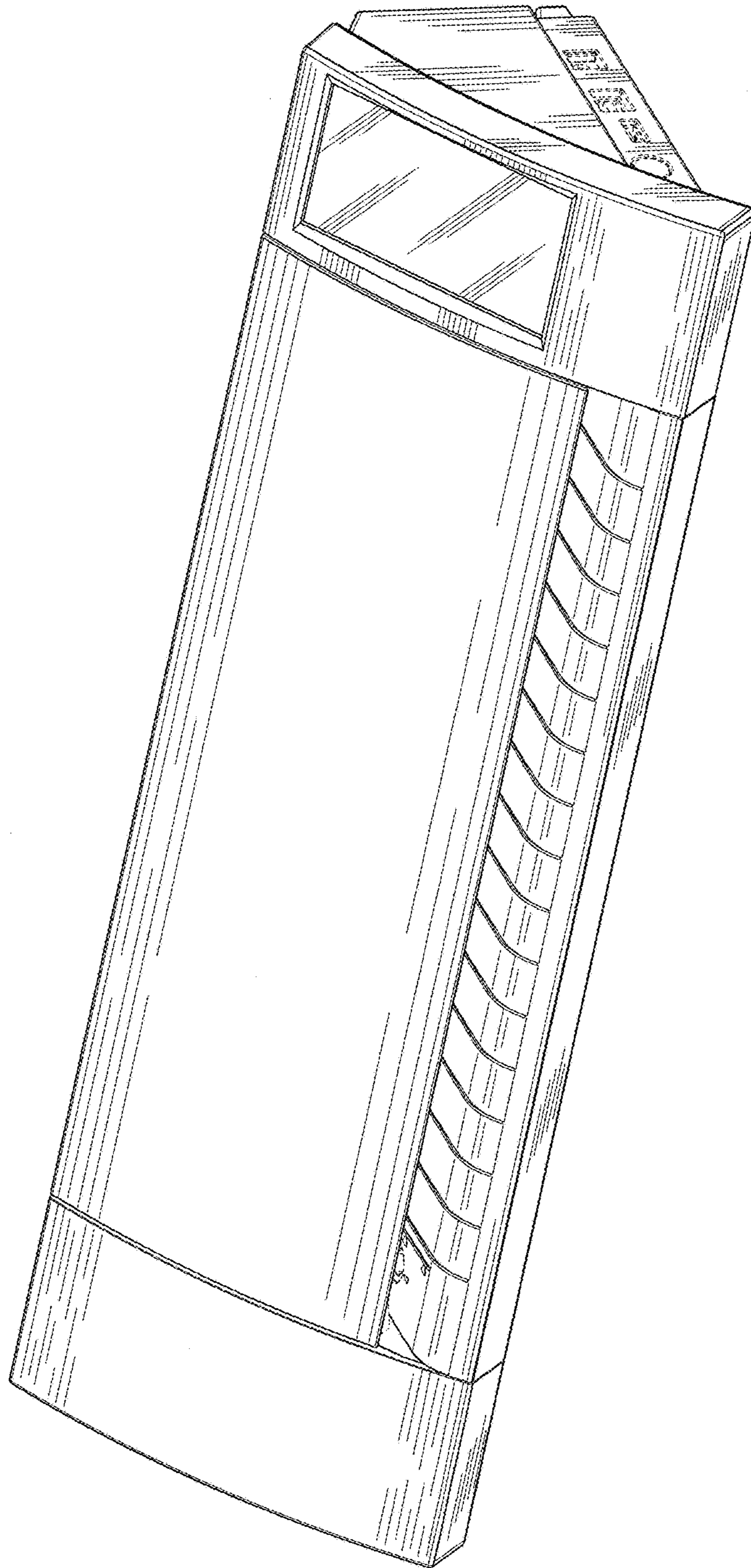


FIG.1

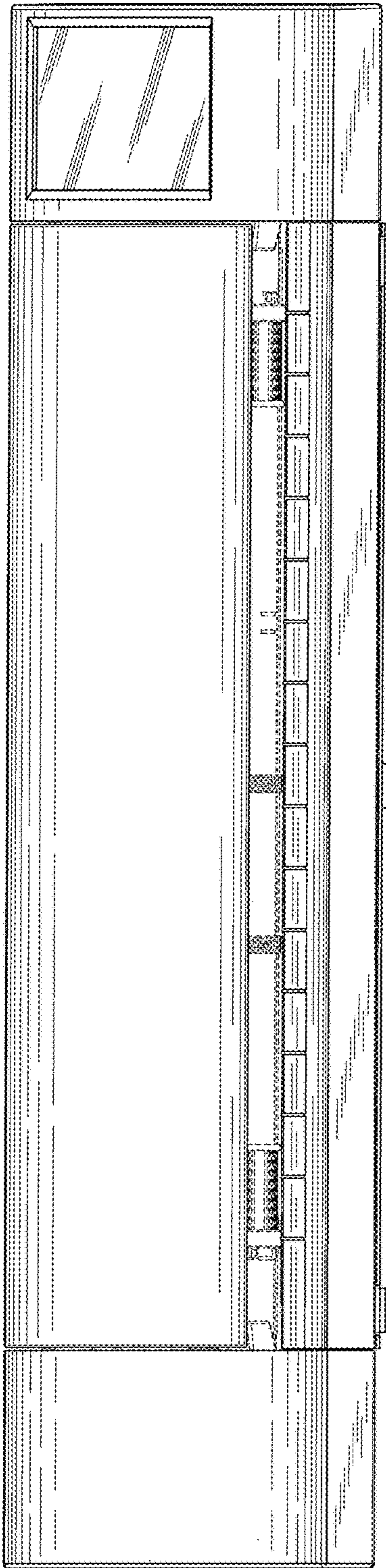


FIG. 2

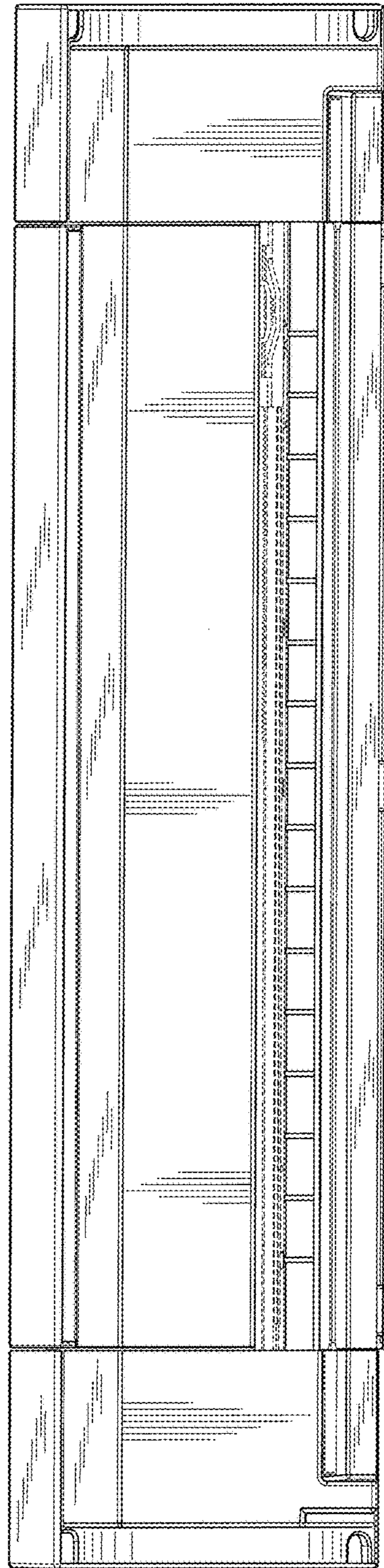


FIG. 3

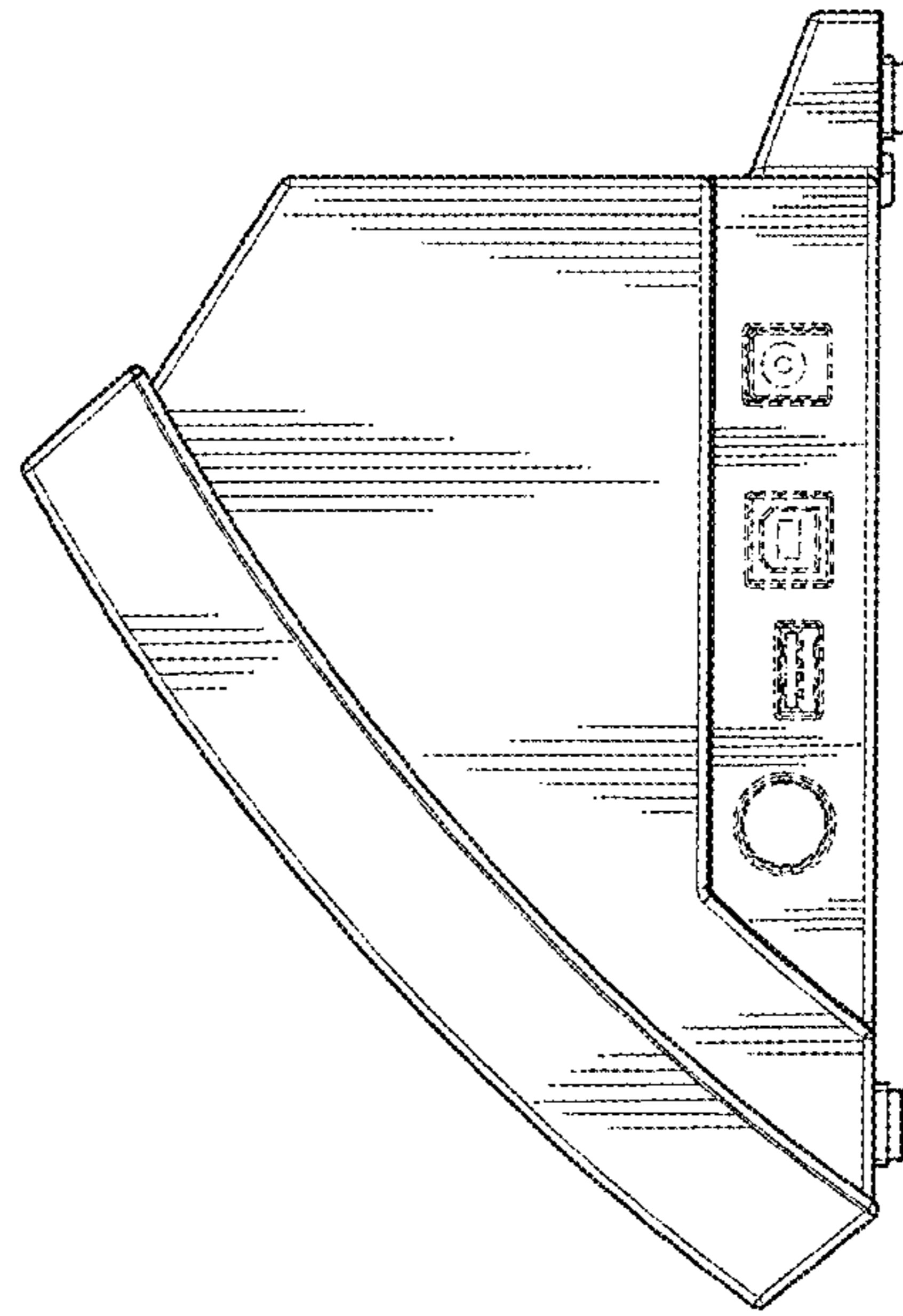


FIG.4

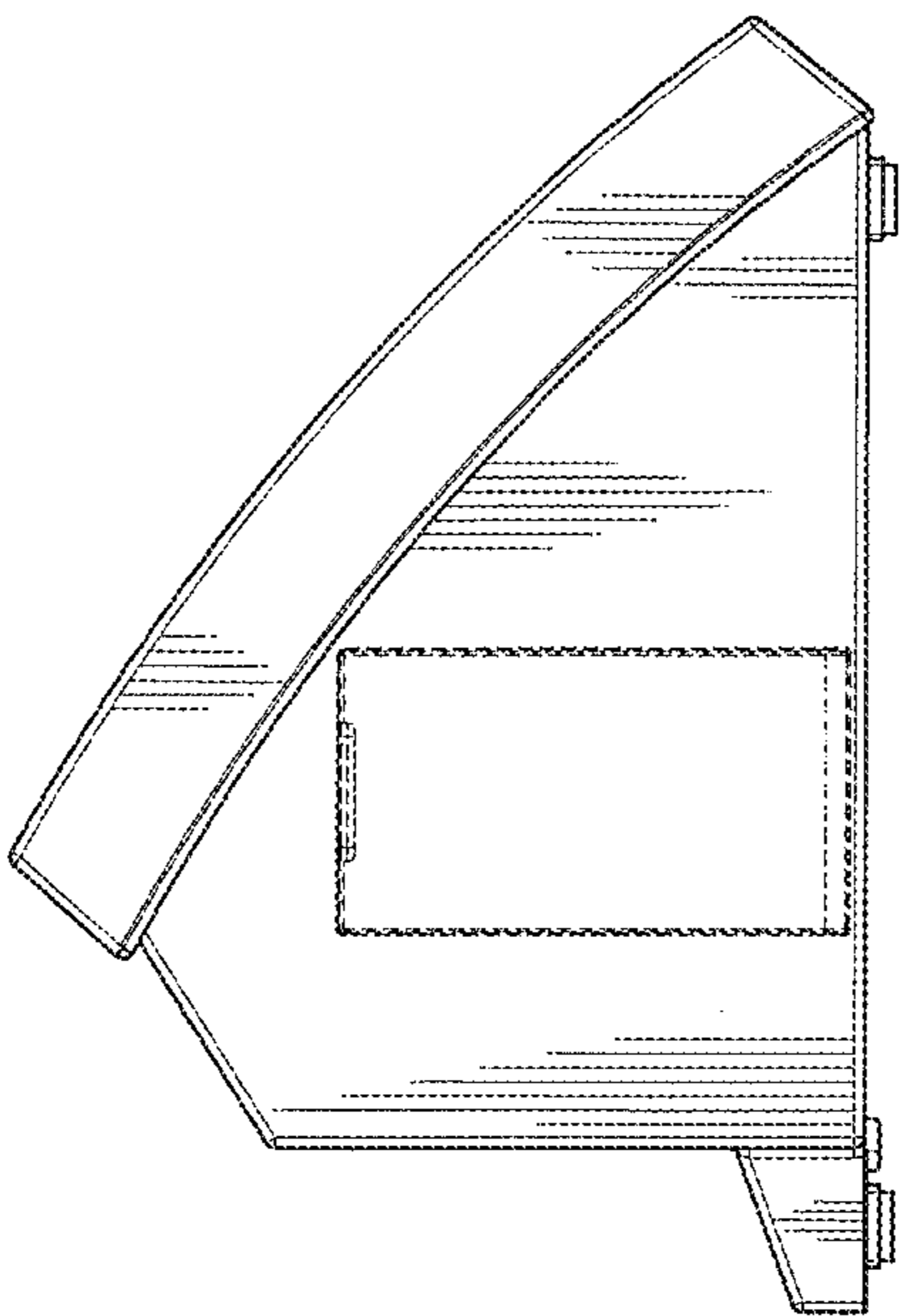


FIG.5

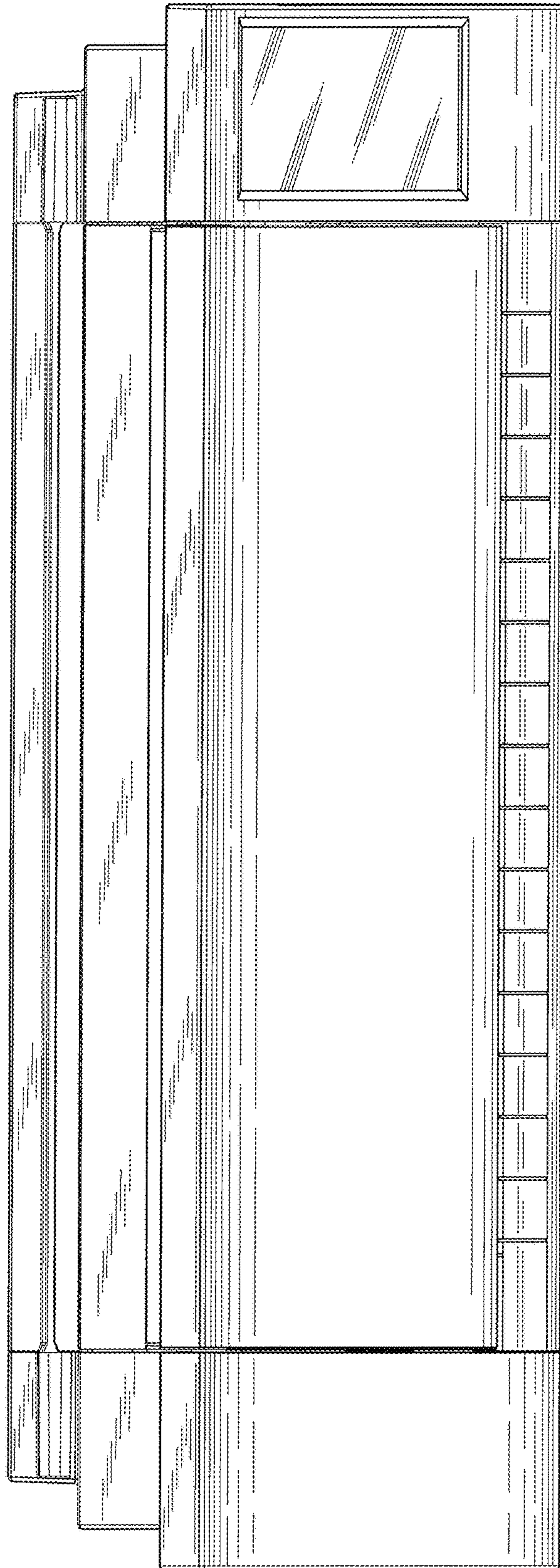


FIG.6

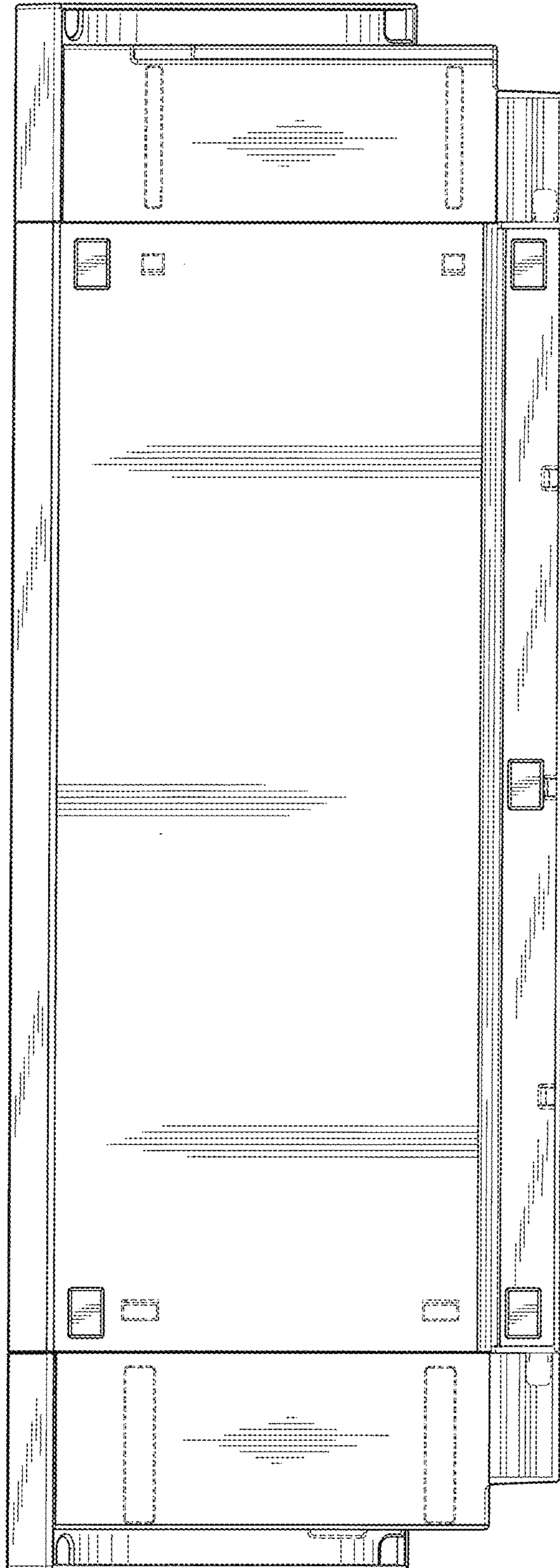


FIG. 7

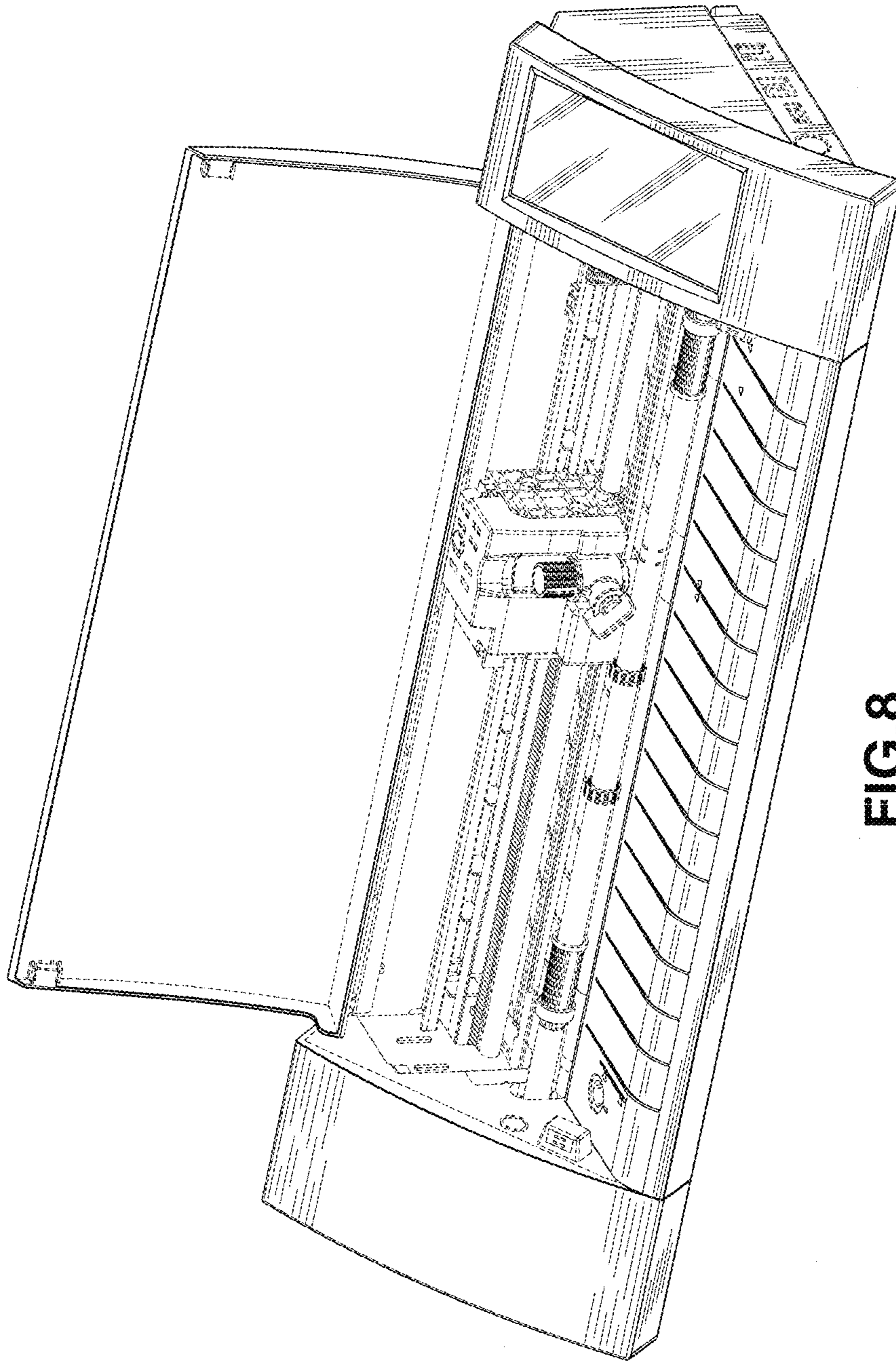


FIG.8