



US00D795333S

(12) **United States Design Patent** (10) **Patent No.:** **US D795,333 S**
Lussier et al. (45) **Date of Patent:** **** Aug. 22, 2017**

(54) **GOGGLES**

(71) Applicant: **Revision Military S.a.r.L.**,
Luxembourg (LU)

(72) Inventors: **Pierre-Luc Lussier**, Longueuil (CA);
Zachary White, South Burlington, VT
(US)

(73) Assignee: **Revision Military S.a.r.L.**,
Luxembourg (LU)

(**) Term: **15 Years**

(21) Appl. No.: **29/551,037**

(22) Filed: **Jan. 8, 2016**

(51) **LOC (10) Cl.** **16-06**

(52) **U.S. Cl.**
USPC **D16/330**

(58) **Field of Classification Search**
USPC D16/101, 300-342, 900; D29/109-110;
D21/483, 659-661; D14/372; 351/41,
351/44, 45-48, 51-52, 62, 158, 92,
351/103-123, 140-153, 63, 59; 2/13, 15,
2/426-432, 447-449, 441, 434-437
CPC G02C 2200/08; G02C 1/06; G02C 5/14;
G02C 11/02; G02C 11/04; G02C 5/16;
G02C 2200/22; G02C 5/146; G02C
5/2254; G02C 5/008; G01C 5/16; A61M
2021/0044; A63B 33/002
See application file for complete search history.

(56) **References Cited**

U.S. PATENT DOCUMENTS

D224,483 S	8/1972	Crestin-Billet	
D336,097 S *	6/1993	Wiedner	D16/324
D358,159 S	5/1995	Lai	
6,665,885 B2	12/2003	Masumoto	
D510,378 S *	10/2005	Dondero	D16/312
D536,018 S *	1/2007	Saderholm	D16/311
D537,100 S *	2/2007	Moritz	D16/312

D538,834 S *	3/2007	Mangum	D16/312
D595,331 S *	6/2009	Mentasti	D16/312
D610,602 S *	2/2010	Yun	D16/312
D616,483 S *	5/2010	Moritz	D16/312
D616,914 S *	6/2010	Moritz	D16/312
D616,915 S *	6/2010	Silveria	D16/312
D620,040 S *	7/2010	Daems	D16/313
D620,969 S *	8/2010	Cyr	D16/312

(Continued)

OTHER PUBLICATIONS

Snowhawk Cold Weather Goggle System, announced unknown, [online], [site visited Mar. 28, 2017]. Available from Internet, <URL: <https://www.revisionmilitary.com/product/snowhawk-extreme-cold-weather-goggle-system/>>.*

Primary Examiner — Eric Goodman
Assistant Examiner — Sanjeev Paul

(74) *Attorney, Agent, or Firm* — Wolf, Greenfield & Sacks, P.C.

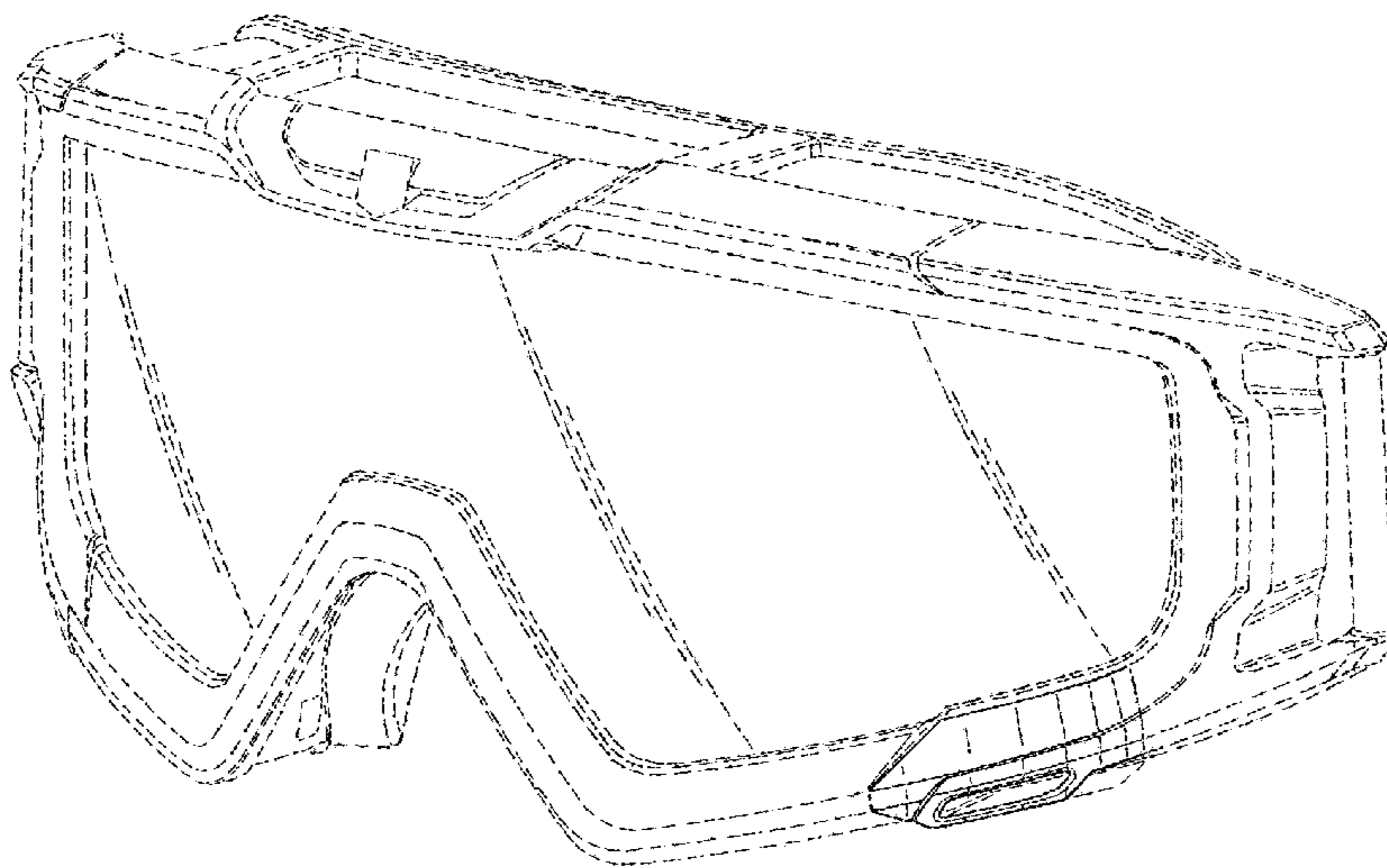
(57) **CLAIM**

The ornamental design for goggles, as shown and described.

DESCRIPTION

FIG. 1 is a top, front, right side perspective view of goggles showing our new design;
FIG. 2 is a front elevational view thereof;
FIG. 3 is a rear elevational view thereof;
FIG. 4 is a left side elevational view thereof;
FIG. 5 is a right side elevational view thereof;
FIG. 6 is a top plan view thereof;
FIG. 7 is a bottom plan view thereof; and,
FIG. 8 is an enlarged detail view of a portion of FIG. 1.
The dot-dash broken lines shown in the figures define boundaries of the claimed design and form no part thereof. All other broken lines shown in the figures represent unclaimed portions of the goggles and form no part of the claimed design.

1 Claim, 7 Drawing Sheets



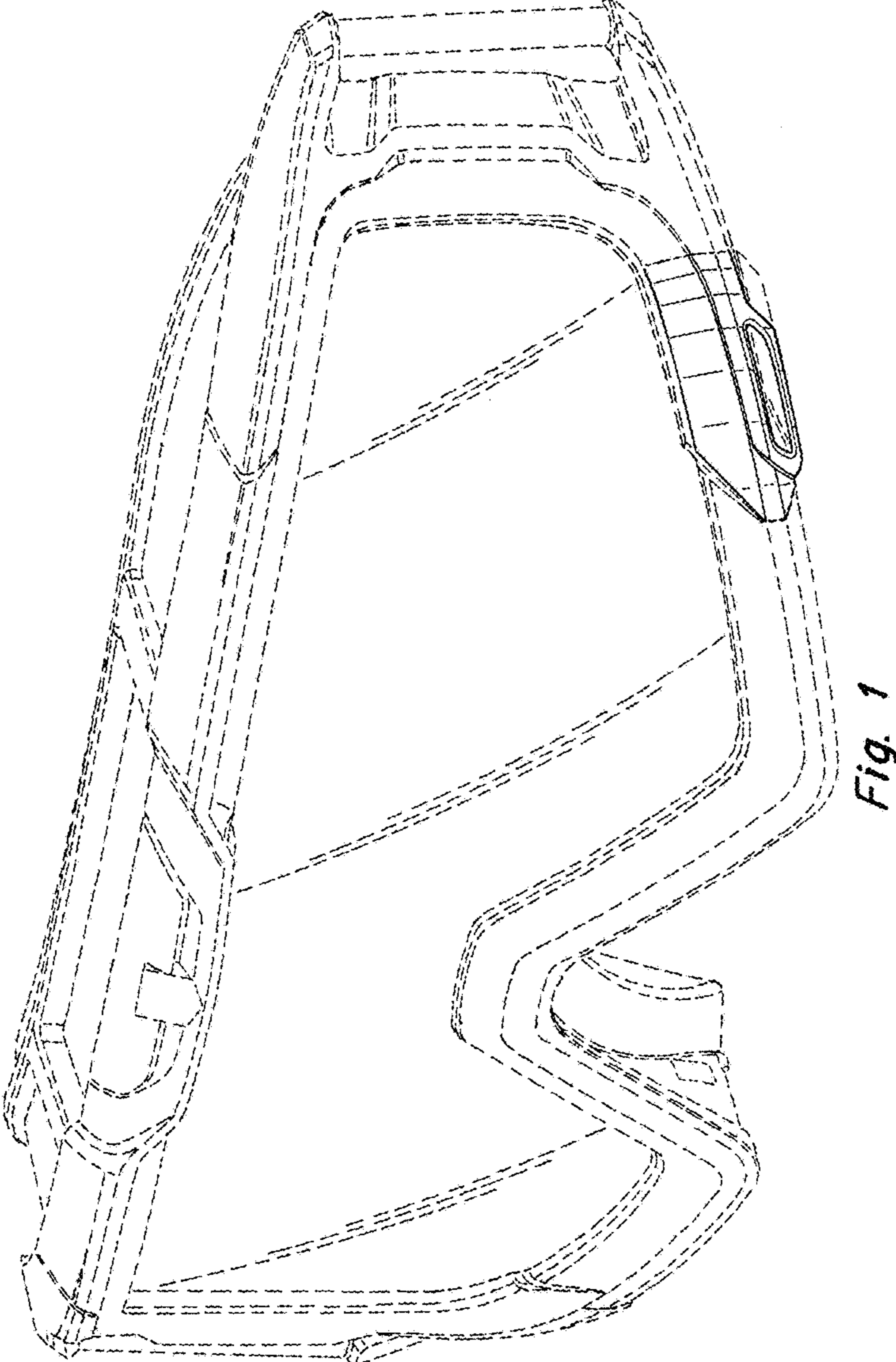
(56)

References Cited

U.S. PATENT DOCUMENTS

D629,034 S *	12/2010	McNeal	A61F 9/025	D765,758 S *	9/2016	Li	D16/312
				D16/312	D765,759 S *	9/2016	Li	D16/312
D640,724 S *	6/2011	Goodman	D16/312	D774,123 S *	12/2016	Chae	D16/313
D649,178 S *	11/2011	Moritz	D16/312	D774,588 S *	12/2016	Li	D16/312
D659,742 S *	5/2012	Chen	D16/312	D777,826 S *	1/2017	Shin	D16/312
D669,113 S *	10/2012	Sandor	D16/309	2007/0033716 A1 *	2/2007	Dondero	A61F 9/029
D678,932 S *	3/2013	Moritz	D16/312					2/426
D687,479 S *	8/2013	Moritz	D16/312	2009/0151057 A1 *	6/2009	Lebel	A61F 9/029
D688,296 S *	8/2013	Pearson	D16/312					2/452
D694,806 S *	12/2013	Mage	D16/312	2009/0313746 A1 *	12/2009	Wang	A61F 9/025
D695,335 S *	12/2013	Goodman	D16/312					2/431
D704,248 S *	5/2014	DiChiara	D16/309	2011/0083256 A1 *	4/2011	Wang-Lee	A61F 9/025
D723,094 S *	2/2015	Chen	D16/312					2/434
D727,398 S *	4/2015	Blanchard	D16/312	2012/0240315 A1 *	9/2012	Chen	A61F 9/025
D735,795 S *	8/2015	McGinn	D16/320					2/431
D736,303 S *	8/2015	Yu	D16/309	2014/0059747 A1 *	3/2014	Belbey	A61F 9/028
D747,758 S *	1/2016	Lee	D16/312					2/431
D756,445 S *	5/2016	Blanchard	D16/312	2014/0208488 A1 *	7/2014	Pengfei	A61F 9/029
D760,831 S *	7/2016	Emilo	D16/312					2/431
D761,344 S *	7/2016	Chen	D16/312	2015/0320600 A1 *	11/2015	Blanchard	A61F 9/025
									2/431

* cited by examiner



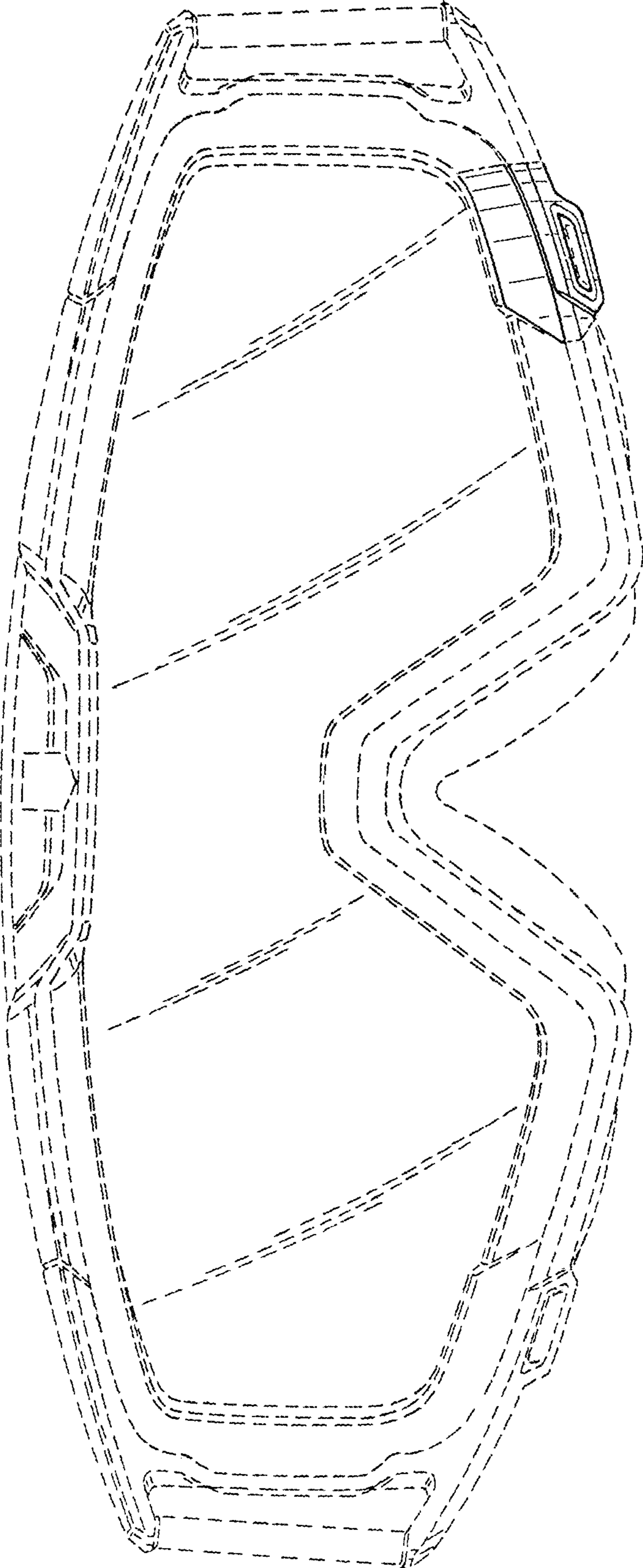


Fig. 2

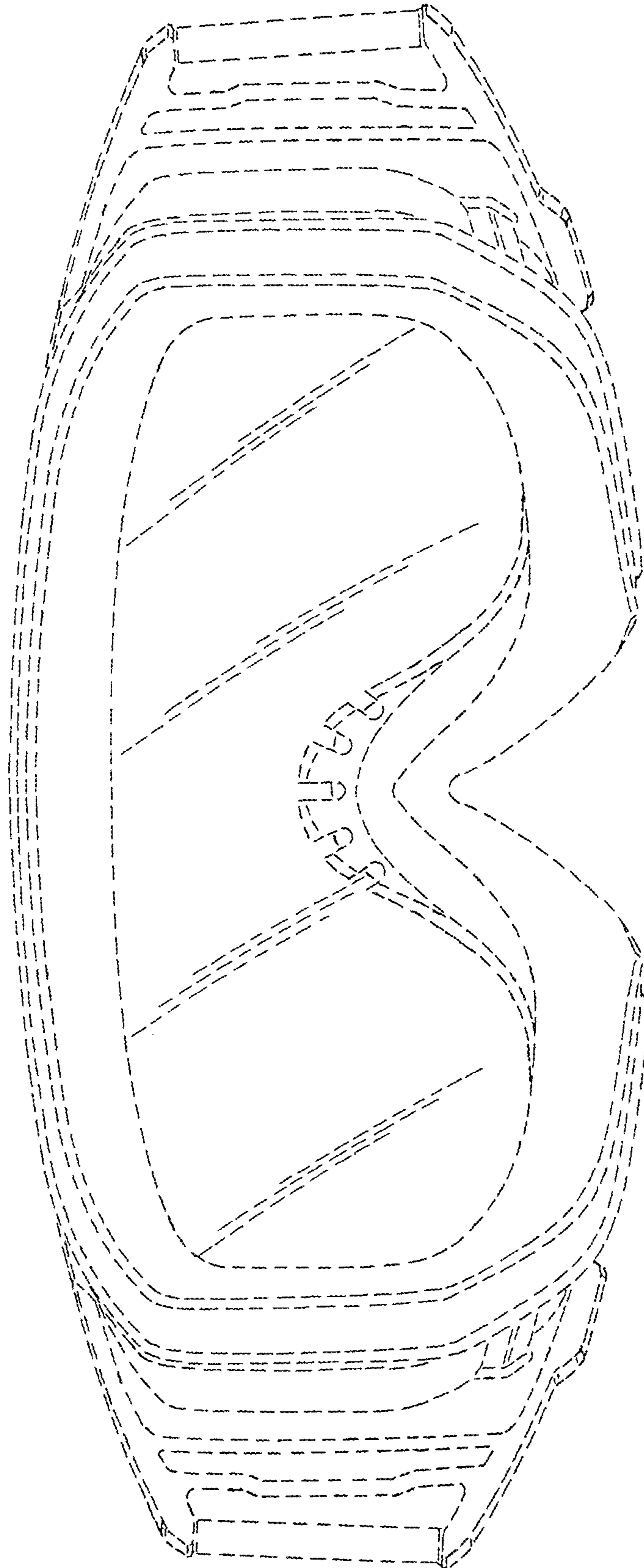


Fig. 3

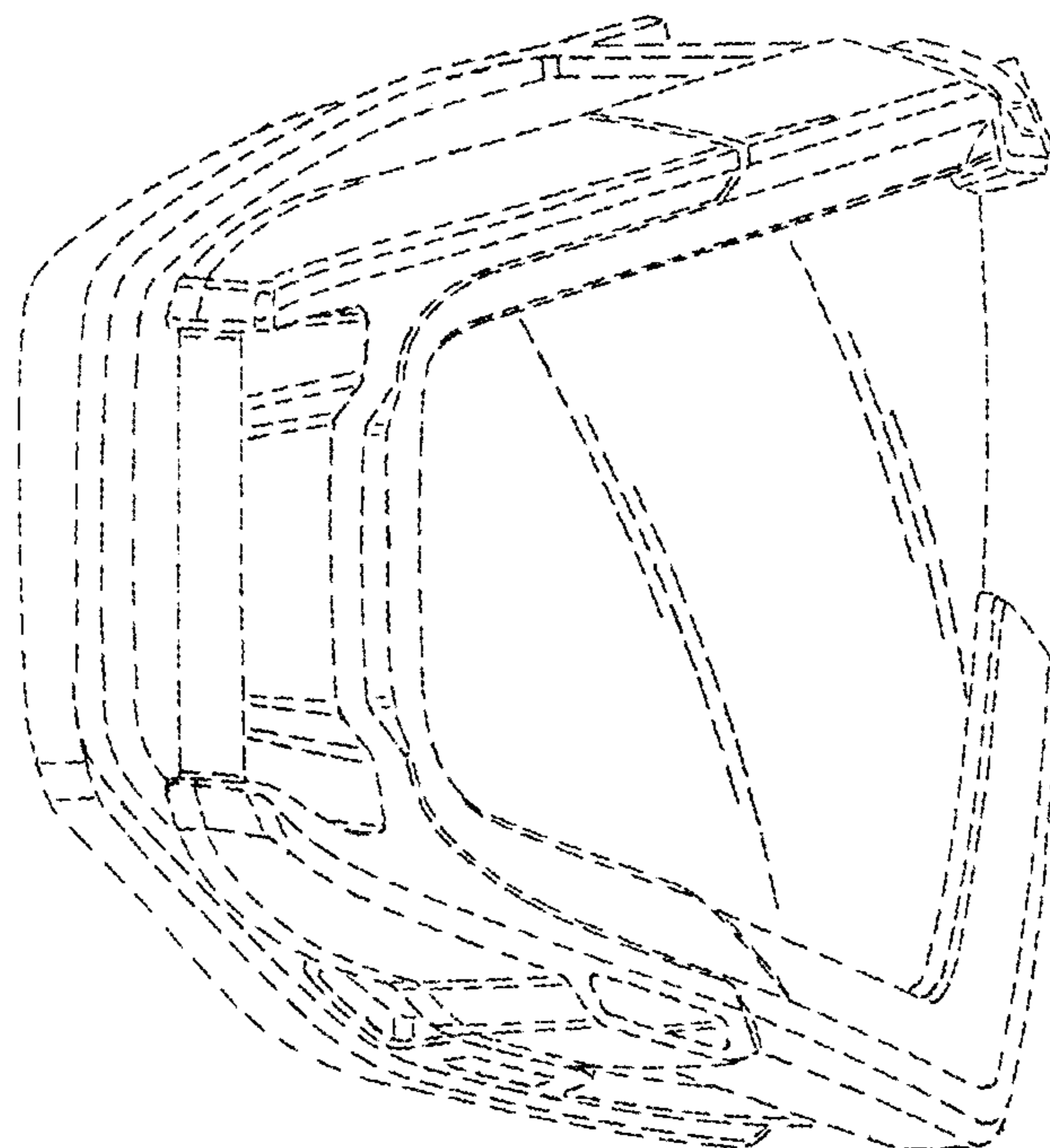


Fig. 4

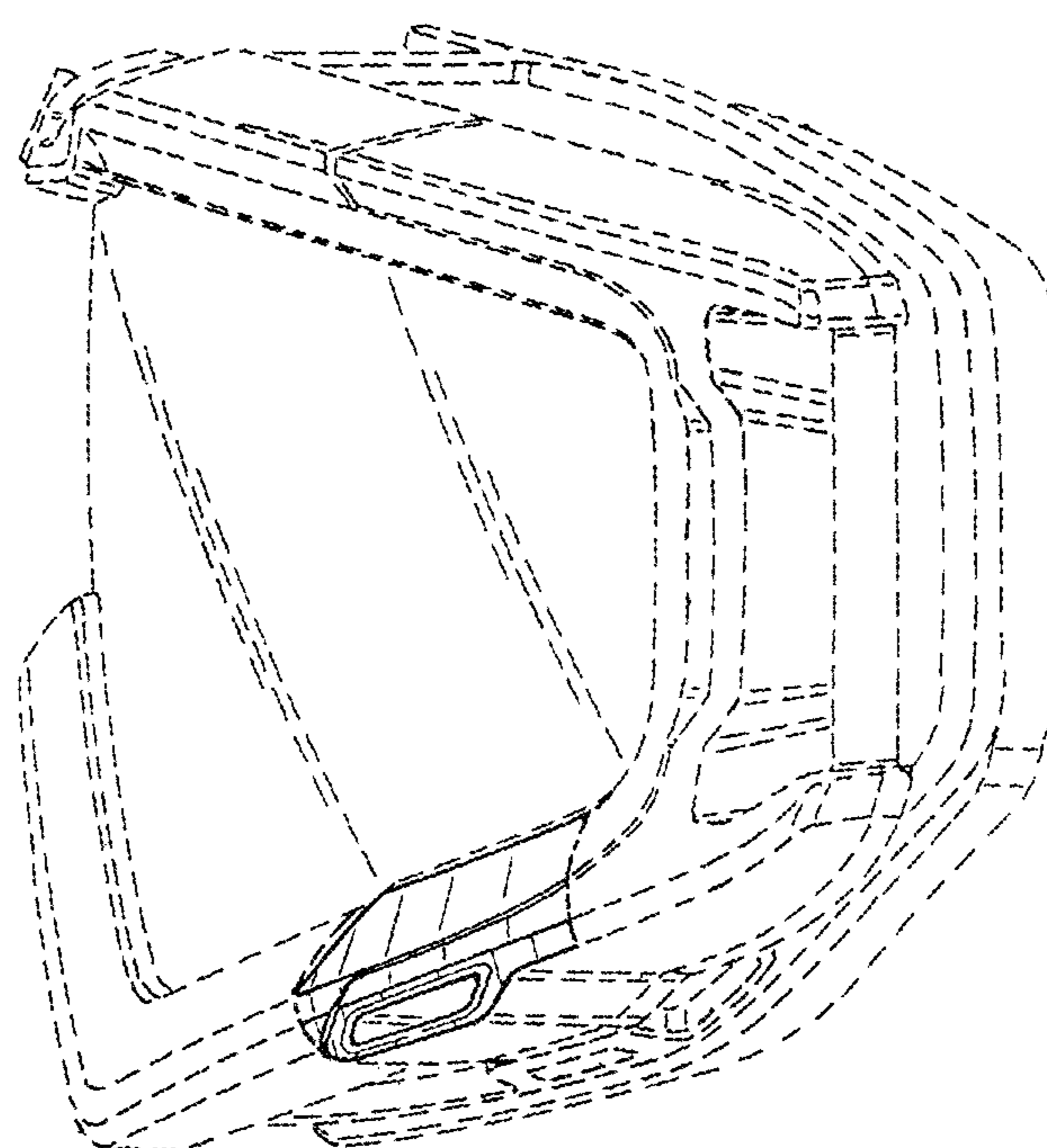


Fig. 5

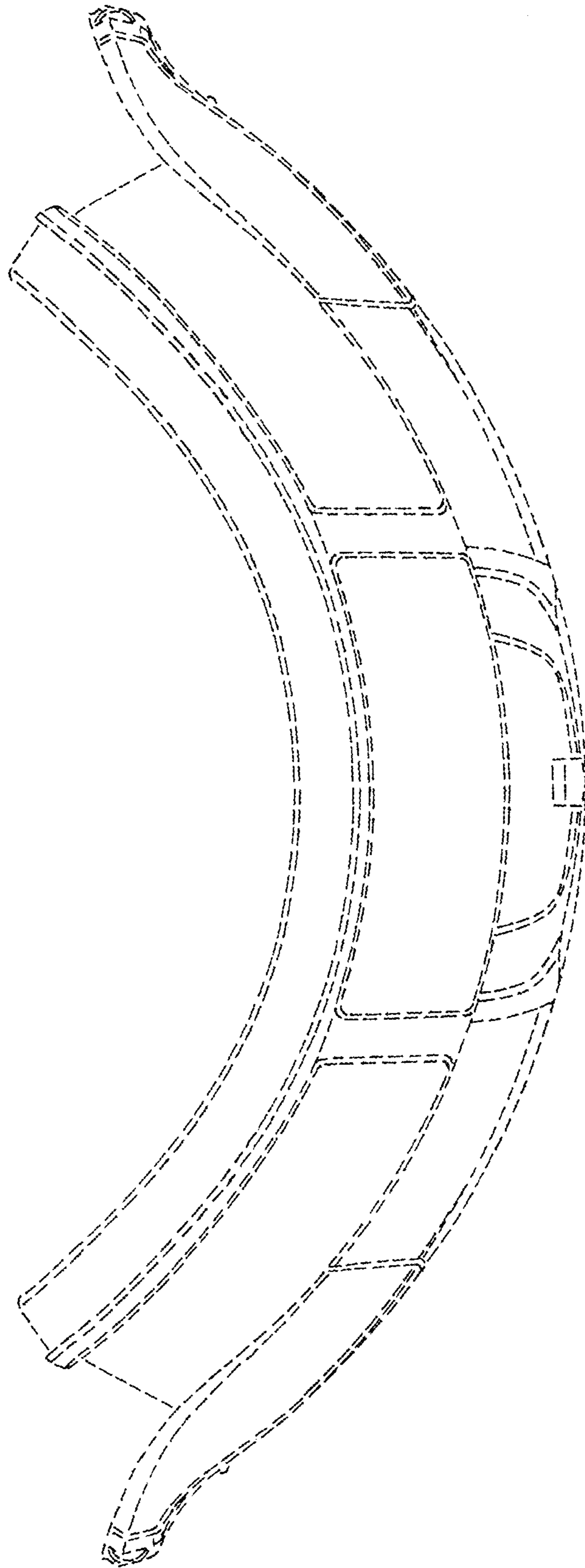


Fig. 6

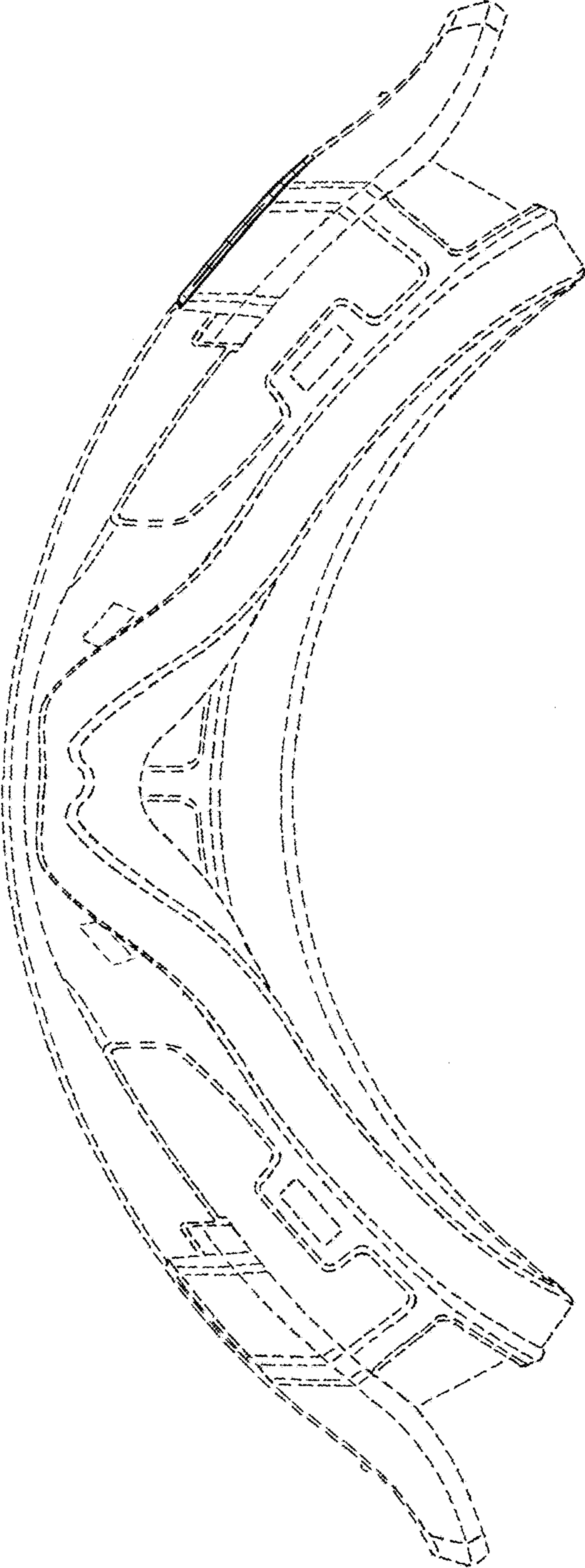


Fig. 7

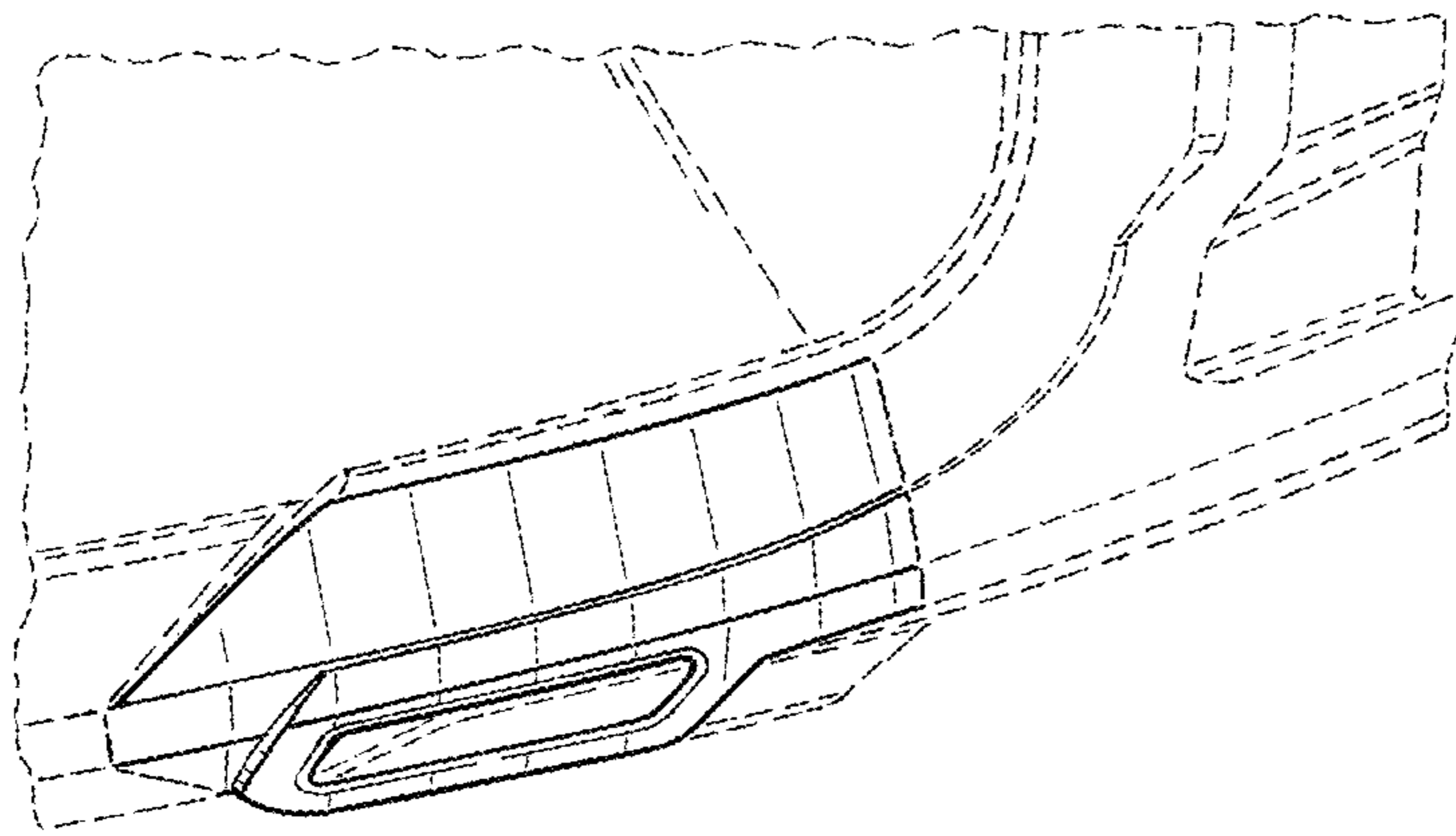


Fig. 8