



US00D795332S

(12) **United States Design Patent** (10) **Patent No.:** **US D795,332 S**
Lussier et al. (45) **Date of Patent:** **** Aug. 22, 2017**

(54) **GOGGLES**
(71) Applicant: **Revision Military S.a.r.L.**,
Luxembourg (LU)
(72) Inventors: **Pierre-Luc Lussier**, Longueuil (CA);
Zachary White, South Burlington, VT
(US)

D598,040 S 8/2009 Sheldon et al.
D610,602 S * 2/2010 Yun D16/312
D616,483 S * 5/2010 Moritz D16/312
D616,914 S * 6/2010 Moritz D16/312
D616,915 S * 6/2010 Silveria D16/312
D620,039 S 7/2010 Cyr
D620,040 S * 7/2010 Daems D16/313
D620,969 S * 8/2010 Cyr D16/312

(Continued)

(73) Assignee: **Revision Military S.a.r.L.**,
Luxembourg (LU)

(**) Term: **15 Years**

(21) Appl. No.: **29/551,033**

(22) Filed: **Jan. 8, 2016**

(51) **LOC (10) Cl.** **16-06**

(52) **U.S. Cl.**
USPC **D16/330**

(58) **Field of Classification Search**
USPC D16/101, 300-342, 900; D29/109-110;
D21/483, 659-661; D14/372; 351/41,
351/44, 45-48, 51-52, 62, 158, 92,
351/103-123, 140-153, 63, 59; 2/13, 15,
2/426-432, 447-449, 441, 434-437
CPC G02C 2200/08; G02C 1/06; G02C 5/14;
G02C 11/02; G02C 11/04; G02C 5/16;
G02C 2200/22; G02C 5/146; G02C
5/2254; G02C 5/008; G01C 5/16; A61M
2021/0044; A63B 33/002
See application file for complete search history.

(56) **References Cited**

U.S. PATENT DOCUMENTS

D336,097 S * 6/1993 Wiedner D16/324
D510,378 S * 10/2005 Dondero D16/312
D536,018 S * 1/2007 Saderholm D16/311
D537,100 S * 2/2007 Moritz D16/312
D538,834 S * 3/2007 Mangum D16/312
D595,331 S * 6/2009 Mentasti D16/312

OTHER PUBLICATIONS

Snowhawk Cold Weather Goggle System, announced unknown,
[online], [site visited Mar. 28, 2017]. Available from Internet,
<URL: <https://www.revisionmilitary.com/product/snowhawk-extreme-cold-weather-goggle-system/>>.*

Primary Examiner — Eric Goodman

Assistant Examiner — Sanjeev Paul

(74) *Attorney, Agent, or Firm* — Wolf, Greenfield &
Sacks, P.C.

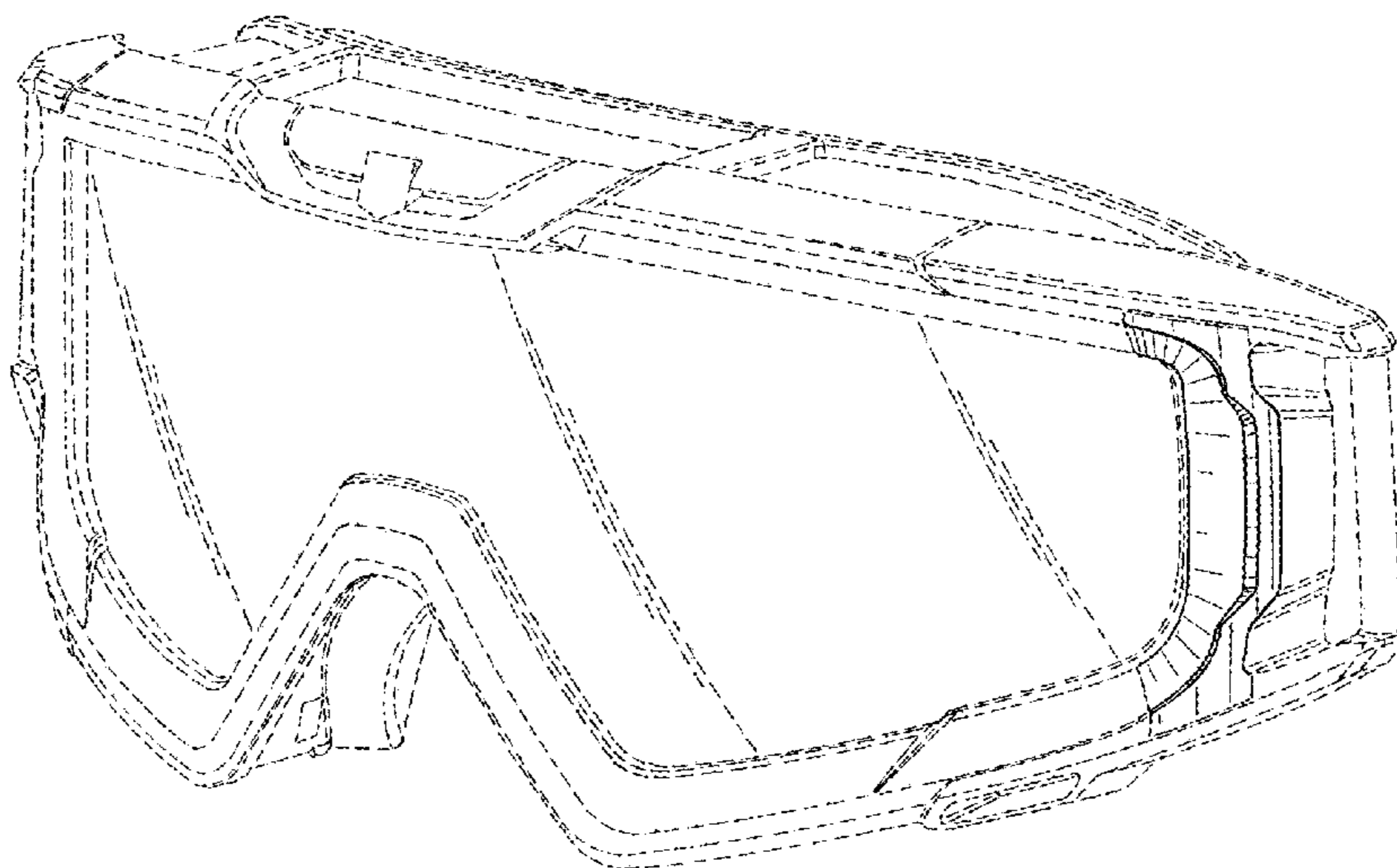
(57) **CLAIM**

The ornamental design for goggles, as shown and described.

DESCRIPTION

FIG. 1 is a top, front, right side perspective view of goggles showing our new design;
FIG. 2 is a front elevational view thereof;
FIG. 3 is a rear elevational view thereof;
FIG. 4 is a left side elevational view thereof;
FIG. 5 is a right side elevational view thereof;
FIG. 6 is a top plan view thereof;
FIG. 7 is a bottom plan view thereof; and,
FIG. 8 is an enlarged detail view of a portion of FIG. 1.
The dot-dash broken lines shown in the figures define boundaries of the claimed design and form no part thereof. All other broken lines shown in the figures represent unclaimed portions of the goggles and form no part of the claimed design.

1 Claim, 7 Drawing Sheets



(56)

References Cited

U.S. PATENT DOCUMENTS

D629,034 S * 12/2010 McNeal A61F 9/025
 D16/312
 D640,724 S * 6/2011 Goodman D16/312
 D649,178 S * 11/2011 Moritz D16/312
 D659,742 S * 5/2012 Chen D16/312
 D669,113 S * 10/2012 Sandor D16/309
 D678,932 S * 3/2013 Moritz D16/312
 D687,479 S * 8/2013 Moritz D16/312
 D688,296 S * 8/2013 Pearson D16/312
 D694,806 S * 12/2013 Mage D16/312
 D695,335 S * 12/2013 Goodman D16/312
 D704,248 S * 5/2014 DiChiara D16/309
 D723,094 S * 2/2015 Chen D16/312
 D727,398 S * 4/2015 Blanchard D16/312
 D735,795 S * 8/2015 McGinn D16/320
 D736,303 S * 8/2015 Yu D16/309
 D747,758 S * 1/2016 Lee D16/312
 D756,445 S * 5/2016 Blanchard D16/312
 D760,831 S * 7/2016 Emilo D16/312
 D761,344 S * 7/2016 Chen D16/312

D765,758 S * 9/2016 Li D16/312
 D765,759 S * 9/2016 Li D16/312
 D774,123 S * 12/2016 Chae D16/313
 D774,588 S * 12/2016 Li D16/312
 D777,826 S * 1/2017 Shin D16/312
 2007/0033716 A1* 2/2007 Dondero A61F 9/029
 2/426
 2009/0151057 A1* 6/2009 Lebel A61F 9/029
 2/452
 2009/0313746 A1* 12/2009 Wang A61F 9/025
 2/431
 2011/0083256 A1* 4/2011 Wang-Lee A61F 9/025
 2/434
 2012/0240315 A1* 9/2012 Chen A61F 9/025
 2/431
 2014/0059747 A1* 3/2014 Belbey A61F 9/028
 2/431
 2014/0208488 A1* 7/2014 Pengfei A61F 9/029
 2/431
 2015/0320600 A1* 11/2015 Blanchard A61F 9/025
 2/431

* cited by examiner

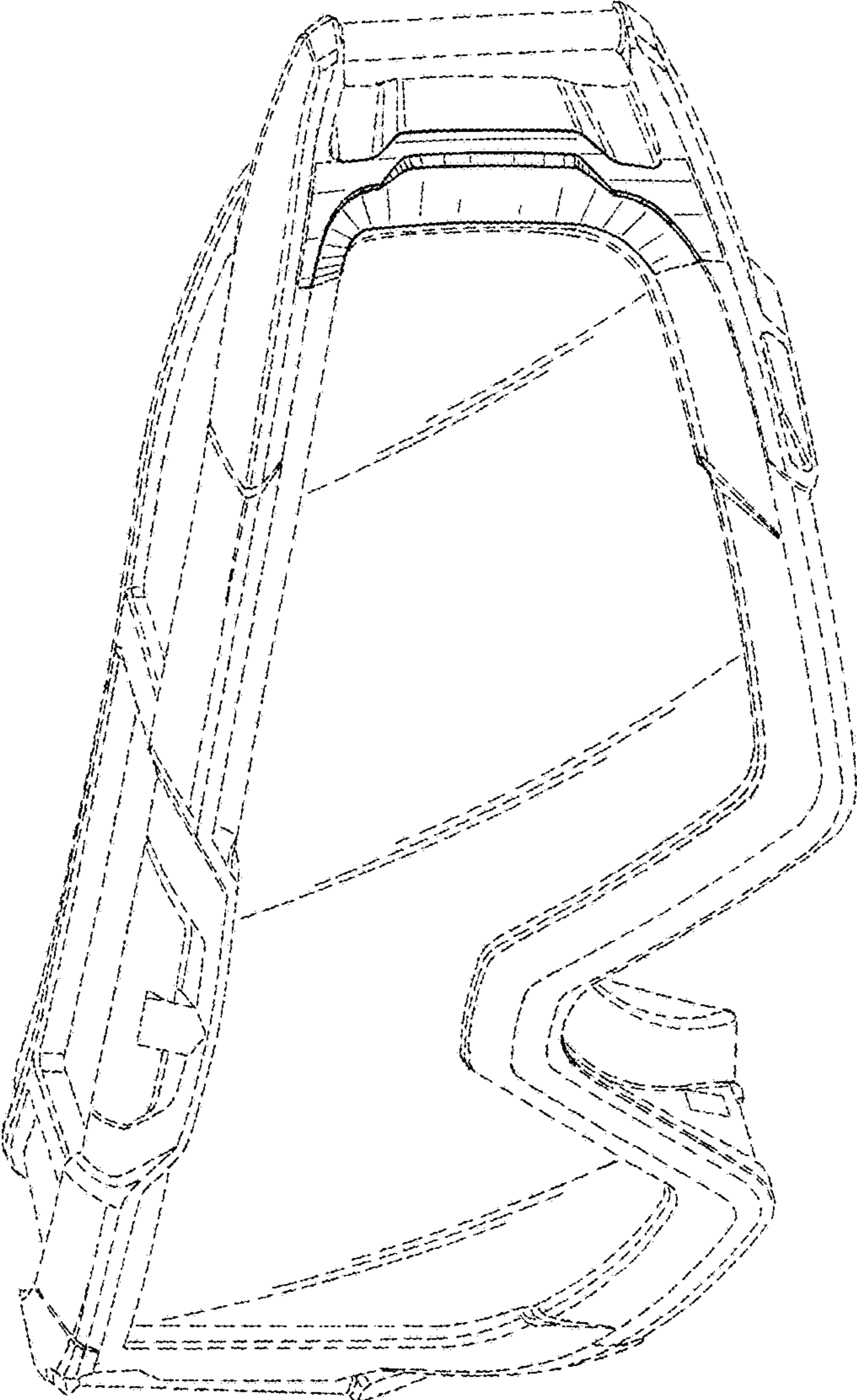


Fig. 1

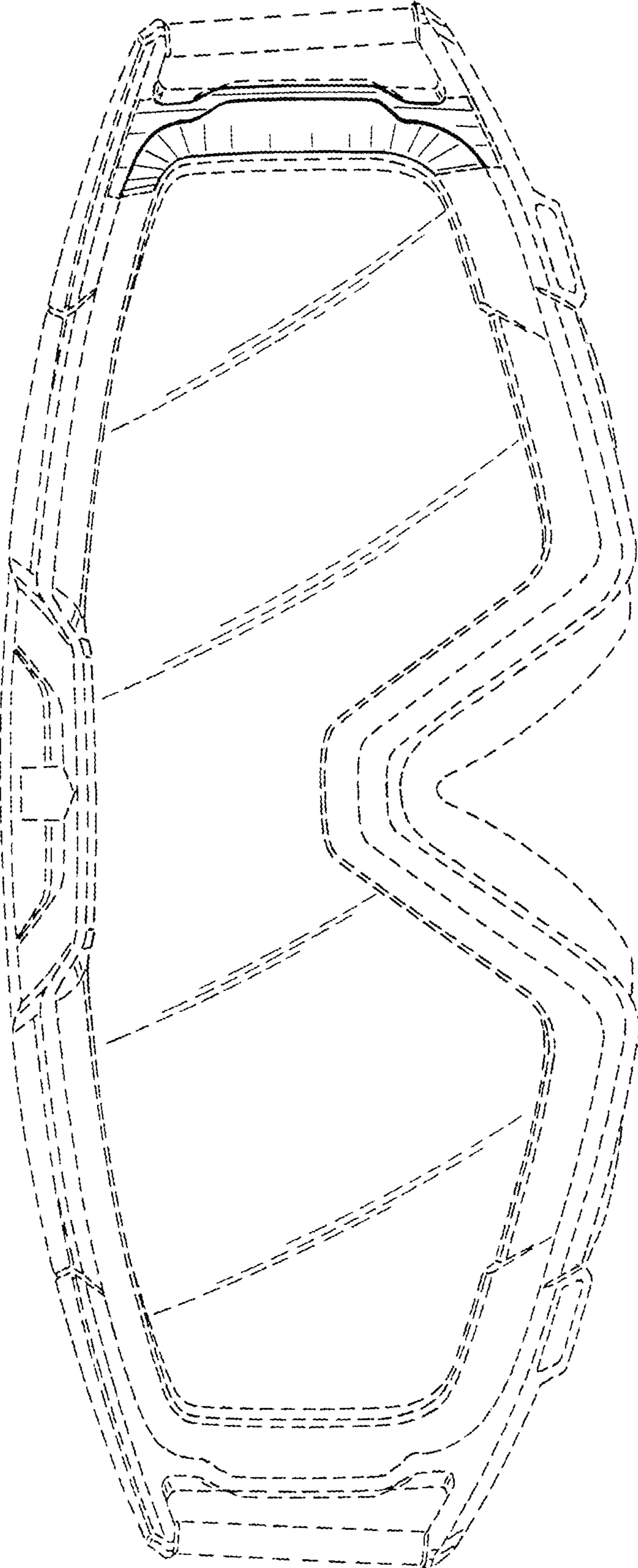


Fig. 2

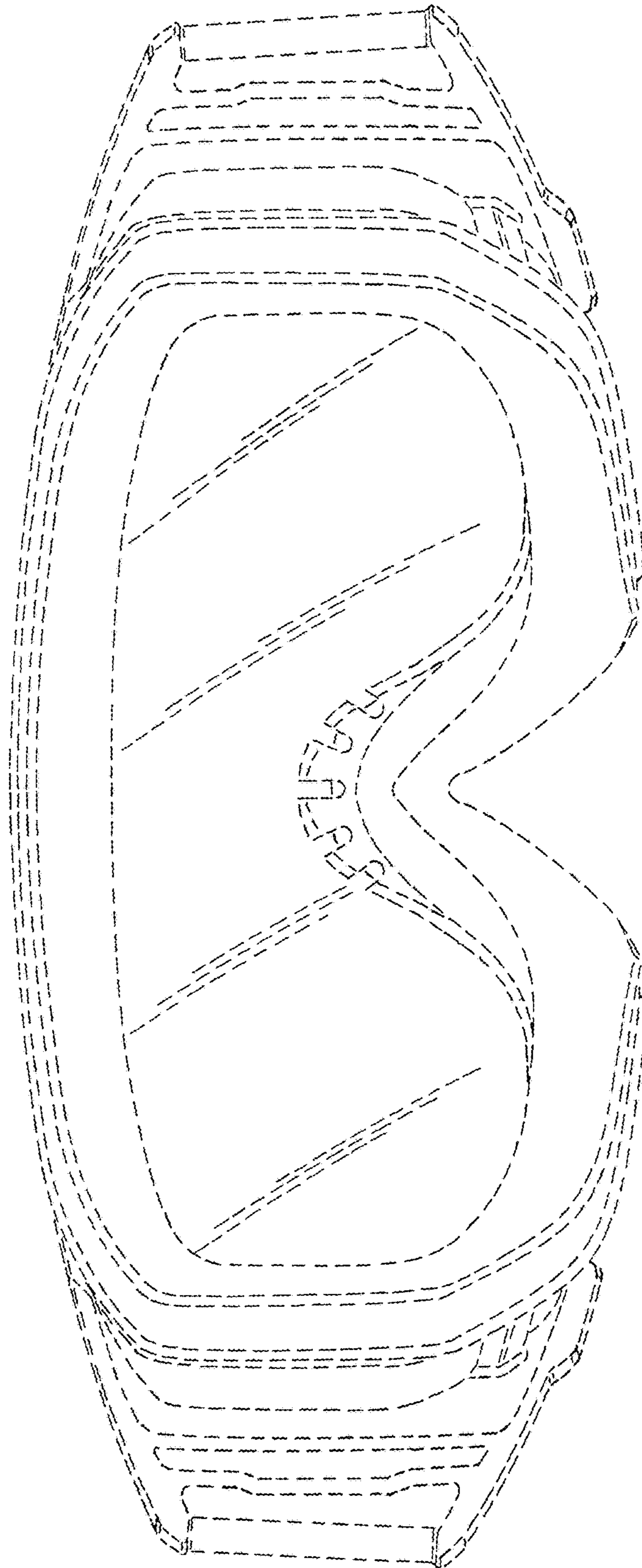


Fig. 3

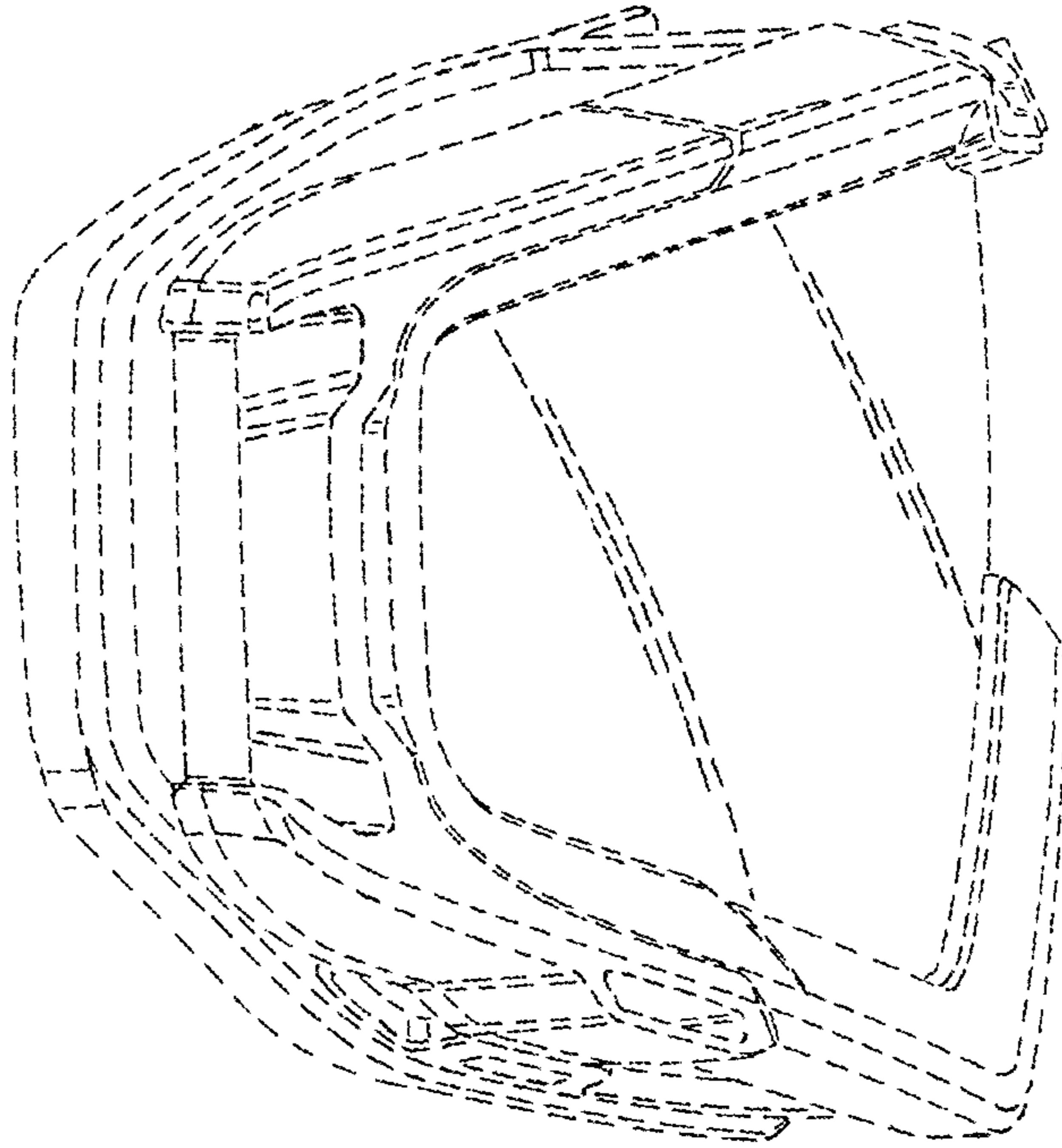


Fig. 4

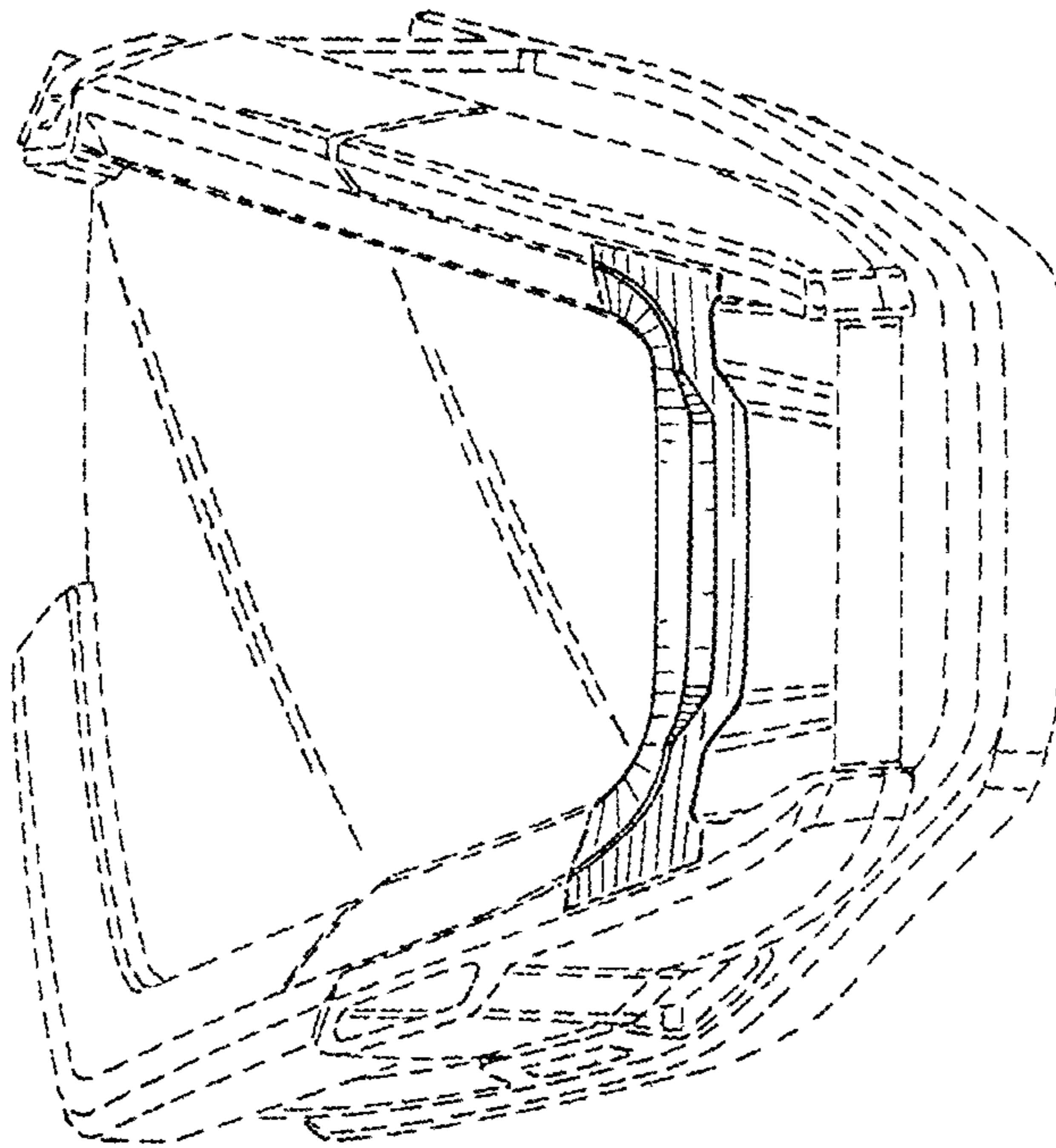


Fig. 5

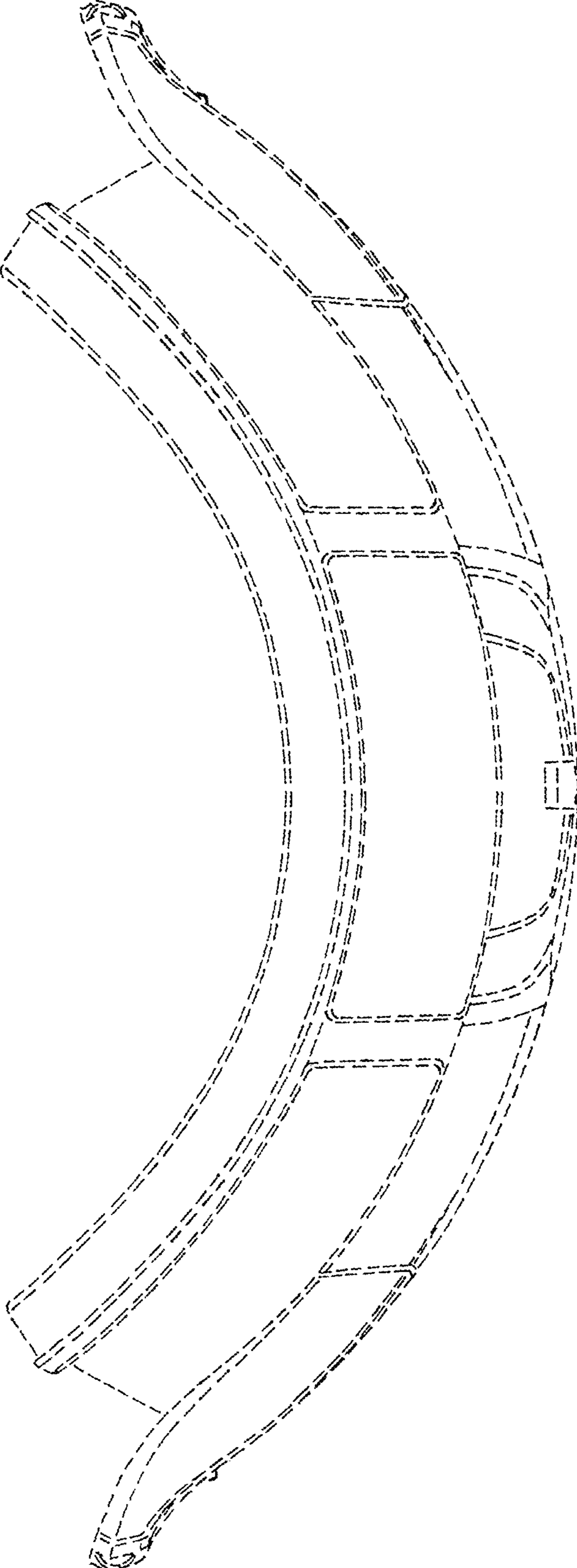


Fig. 6

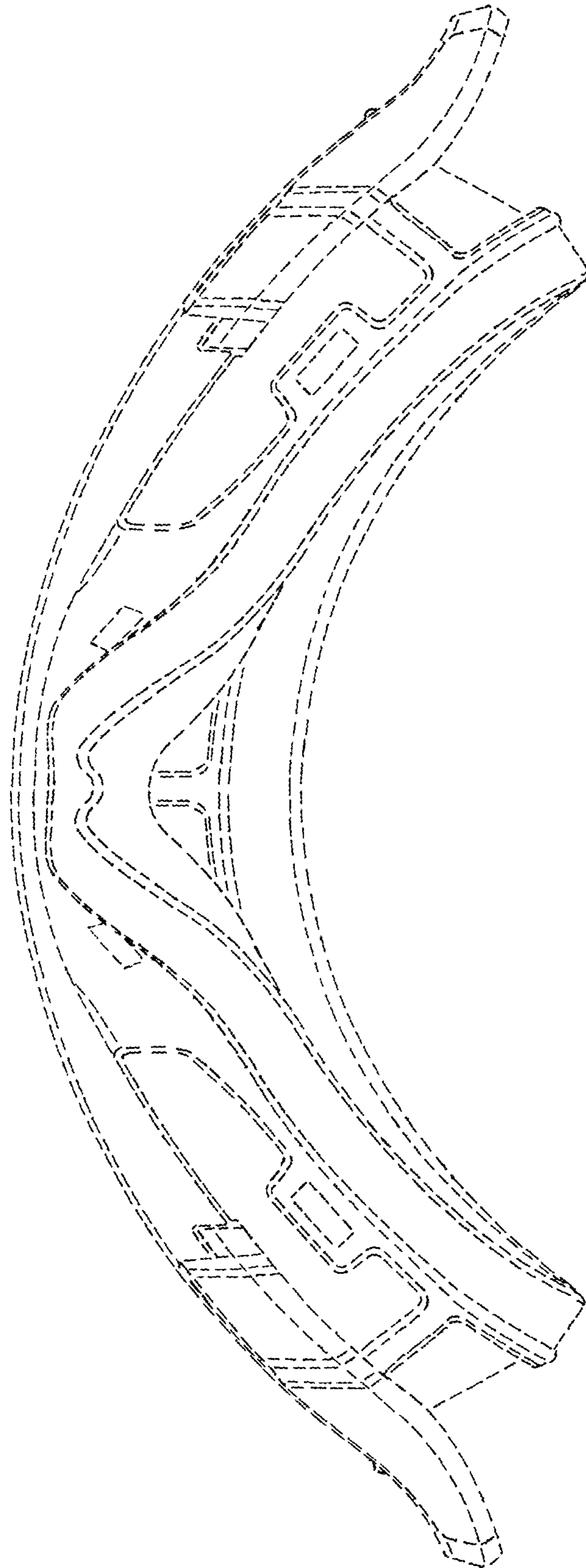


Fig. 7

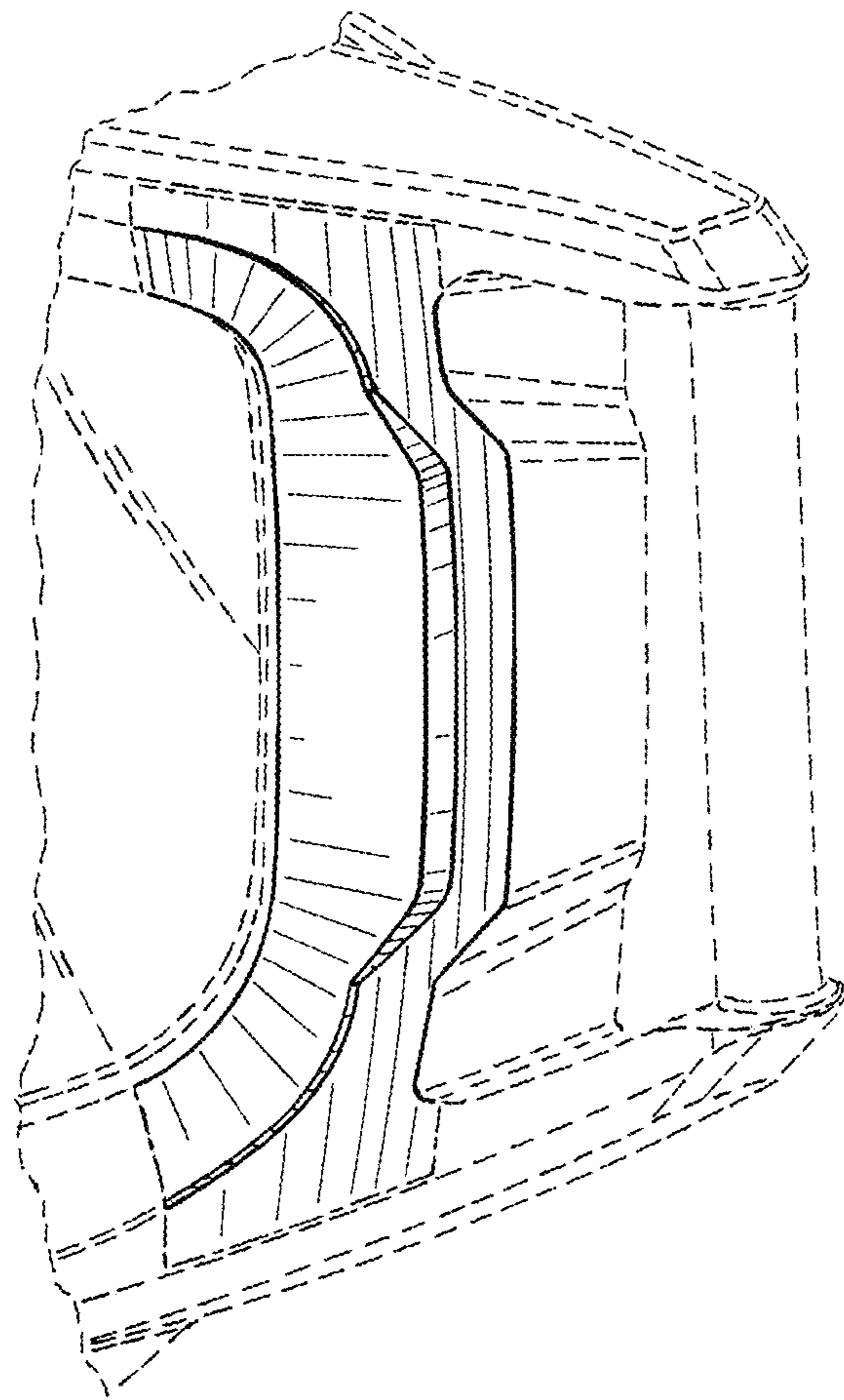


Fig. 8