

US00D795329S

(12) **United States Design Patent** (10) **Patent No.:** **US D795,329 S**  
**Martin et al.** (45) **Date of Patent:** **\*\* Aug. 22, 2017**

(54) **BACK-UP MOUNT RESTRAINT FOR PORTABLE CAMERA**

D739,407 S *	9/2015	Son	.....	D14/434
D754,110 S *	4/2016	Jung	.....	D14/240
D765,140 S *	8/2016	Peng	.....	D14/496
D772,971 S *	11/2016	Hojo	.....	D16/242
D775,627 S *	1/2017	Yang	.....	D14/217

(71) Applicant: **OCLU, LLC**, Tempe, AZ (US)

(72) Inventors: **Hugo Martin**, Oxfordshire (GB);  
**Robert William Moore**, Theale (GB);  
**Firas Kittaneh**, Tempe, AZ (US)

FOREIGN PATENT DOCUMENTS

CA 170749 \* 3/2016

\* cited by examiner

*Primary Examiner* — Vy Koenig

*Assistant Examiner* — Omeed Agilee

(74) *Attorney, Agent, or Firm* — Weiss & Moy, P.C.;  
Jeffrey D. Moy

(73) Assignee: **OCLU LIMITED**, East Grinstead (GB)

(\*\*) Term: **15 Years**

(21) Appl. No.: **29/551,172**

(22) Filed: **Jan. 11, 2016**

(51) **LOC (10) Cl.** ..... **16-05**

(52) **U.S. Cl.**  
USPC ..... **D16/245**; D16/237

(58) **Field of Classification Search**  
USPC ..... D16/200, 208, 213–219, 235, 237,  
D16/238–250; D14/209, 217, 224, 251;  
D8/307, 310, 349, 367  
CPC ..... G03B 17/14; G03B 17/56; G03B  
17/561–17/568; G03B 15/041–15/0436;  
G02B 7/00–7/002; G02B 7/02–7/04;  
F16M 11/02; F16M 11/04; F16M 11/20;  
F16M 11/40

See application file for complete search history.

(56) **References Cited**

U.S. PATENT DOCUMENTS

5,588,625 A *	12/1996	Beak	.....	F16M 11/126 248/371
D638,461 S *	5/2011	Kim	.....	D16/235

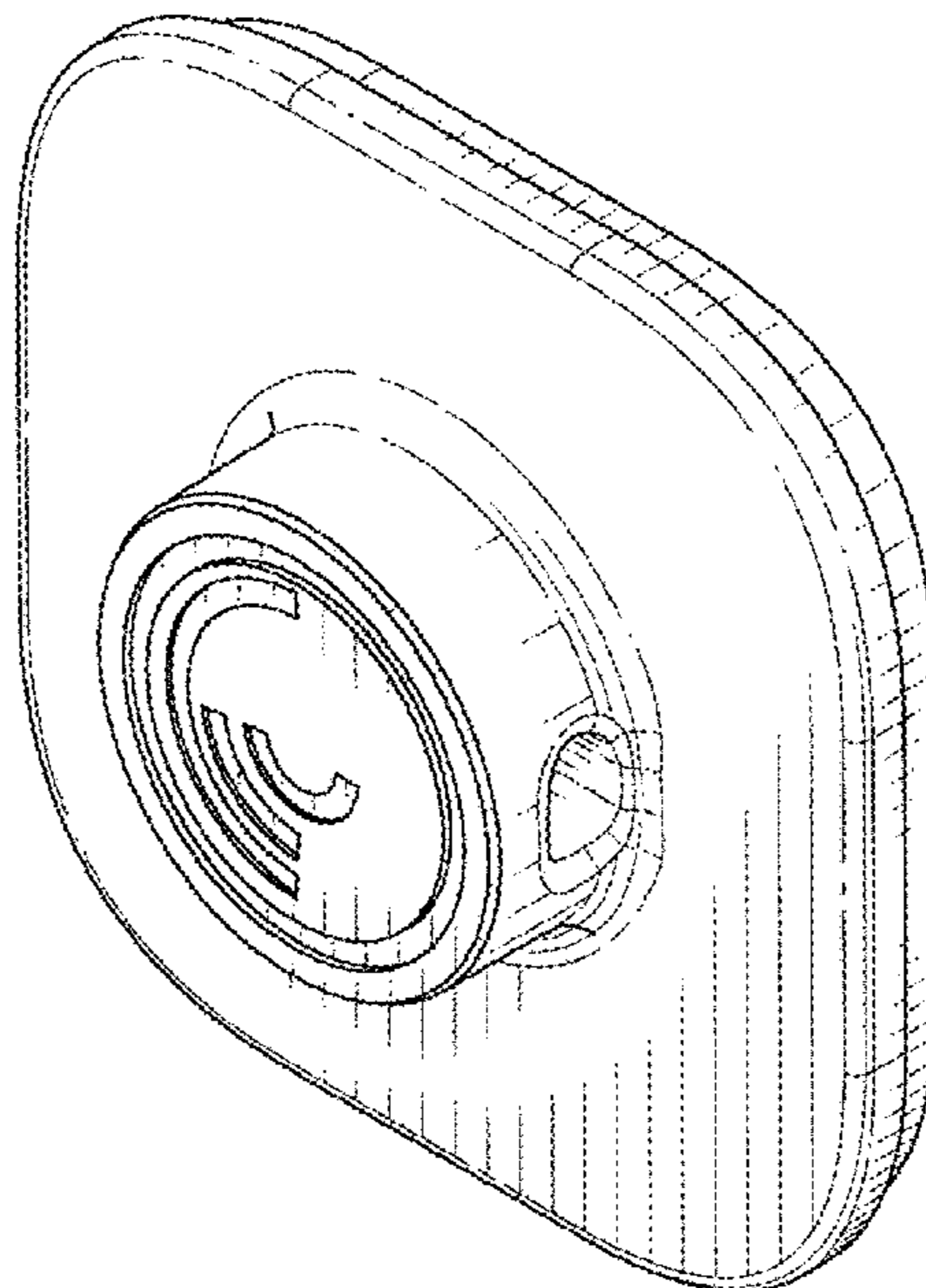
(57) **CLAIM**

The ornamental design for a back-up mount restraint for portable camera, as shown and described.

**DESCRIPTION**

FIG. 1 is a front, right and top perspective view of a back-up mount restraint for a portable camera;  
FIG. 2 is a front view of the back-up mount restraint for the portable camera;  
FIG. 3 is a rear view of the back-up mount restraint for the portable camera;  
FIG. 4 is a right side view of the back-up mount restraint for the portable camera;  
FIG. 5 is a left view of the back-up mount restraint for the portable camera;  
FIG. 6 is a top view of the back-up mount restraint for the portable camera; and,  
FIG. 7 is a bottom view of the back-up mount restraint for the portable camera.

**1 Claim, 3 Drawing Sheets**



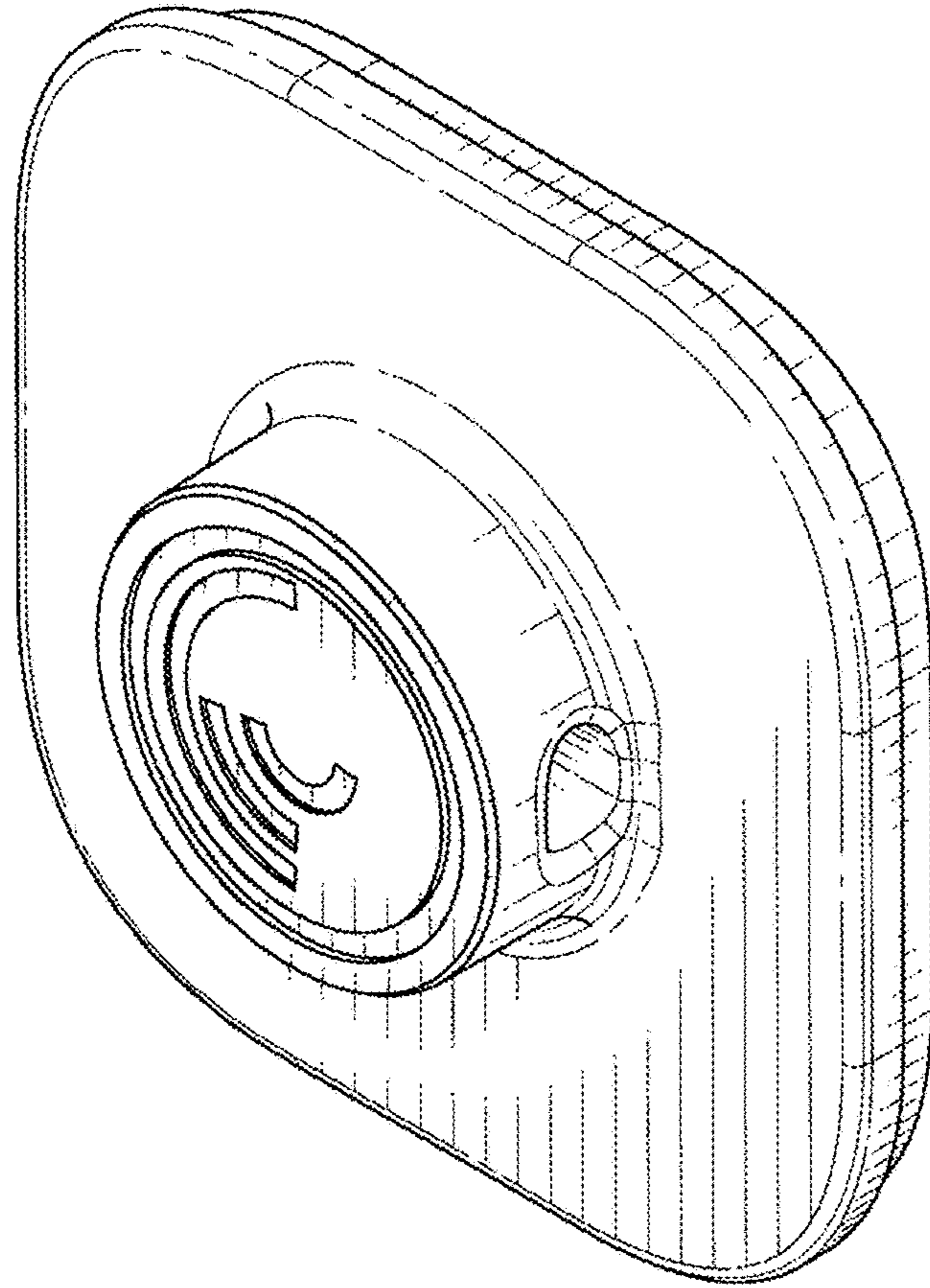


FIG. 1

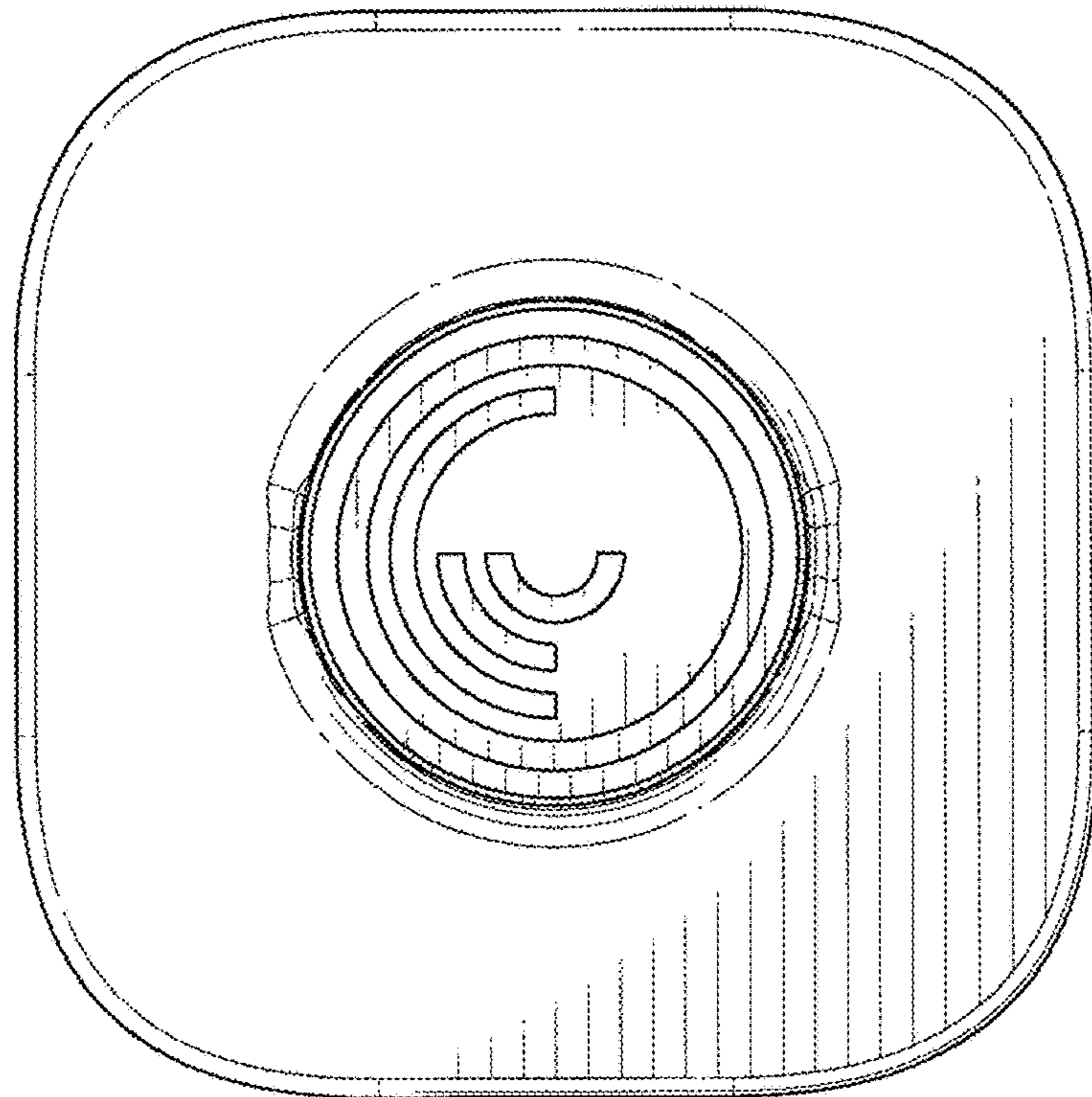


FIG. 2

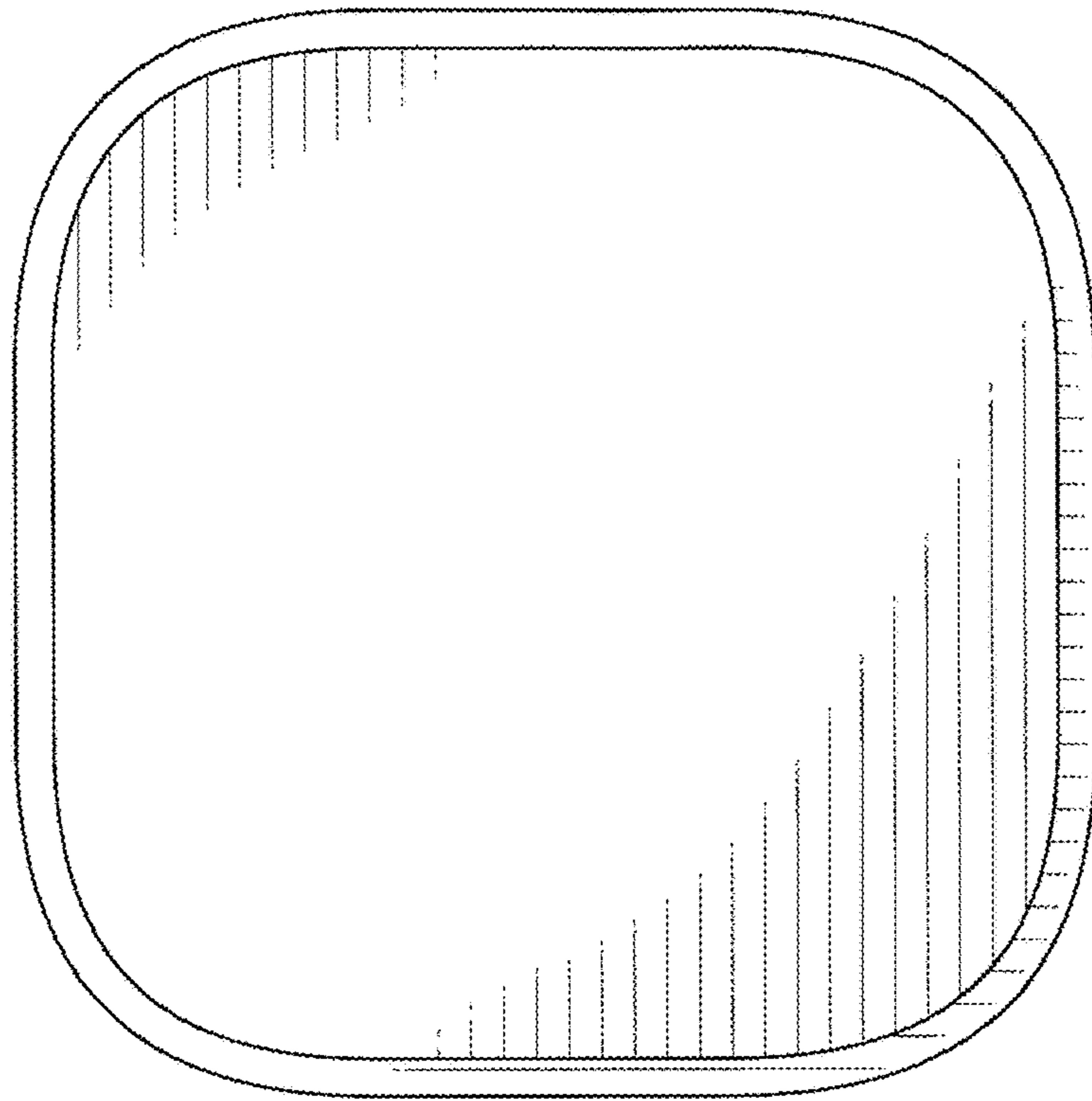


FIG. 3

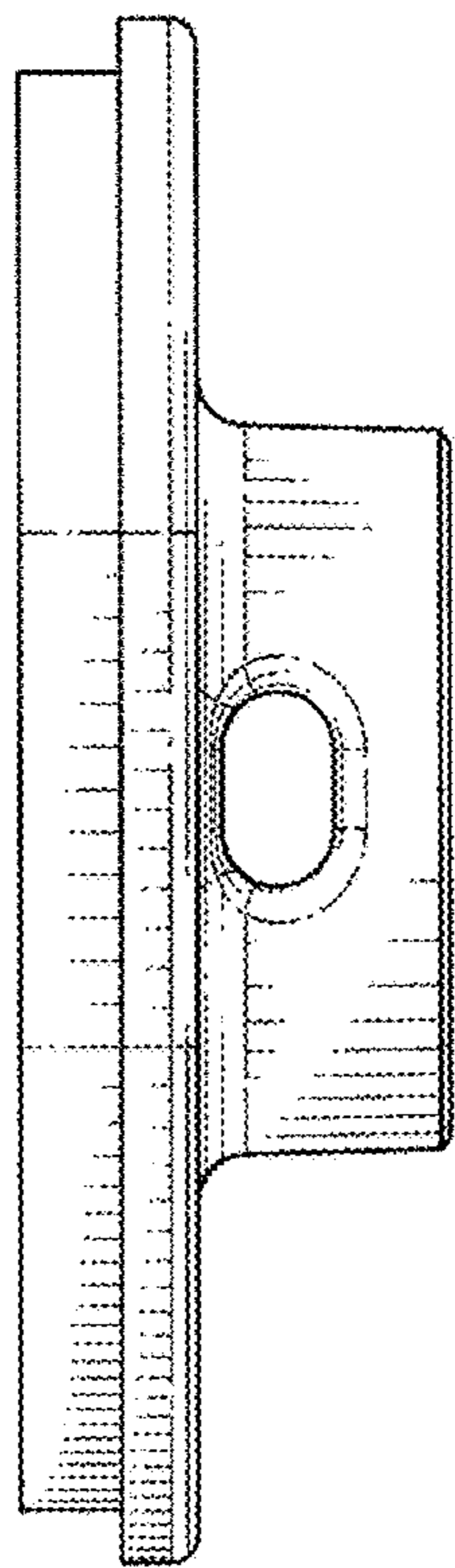


FIG. 5

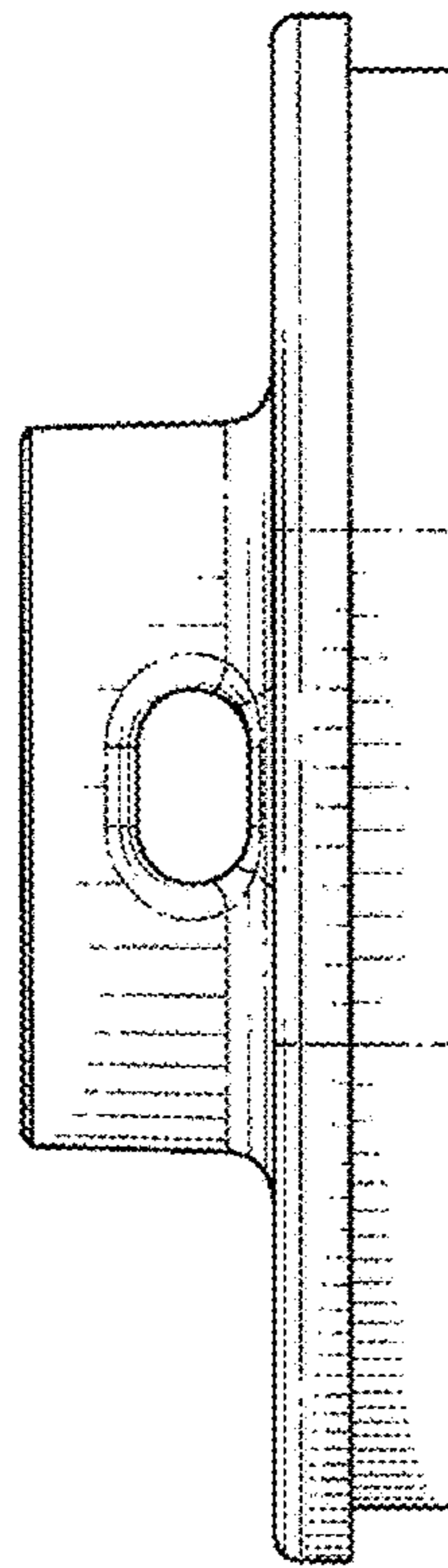


FIG. 4

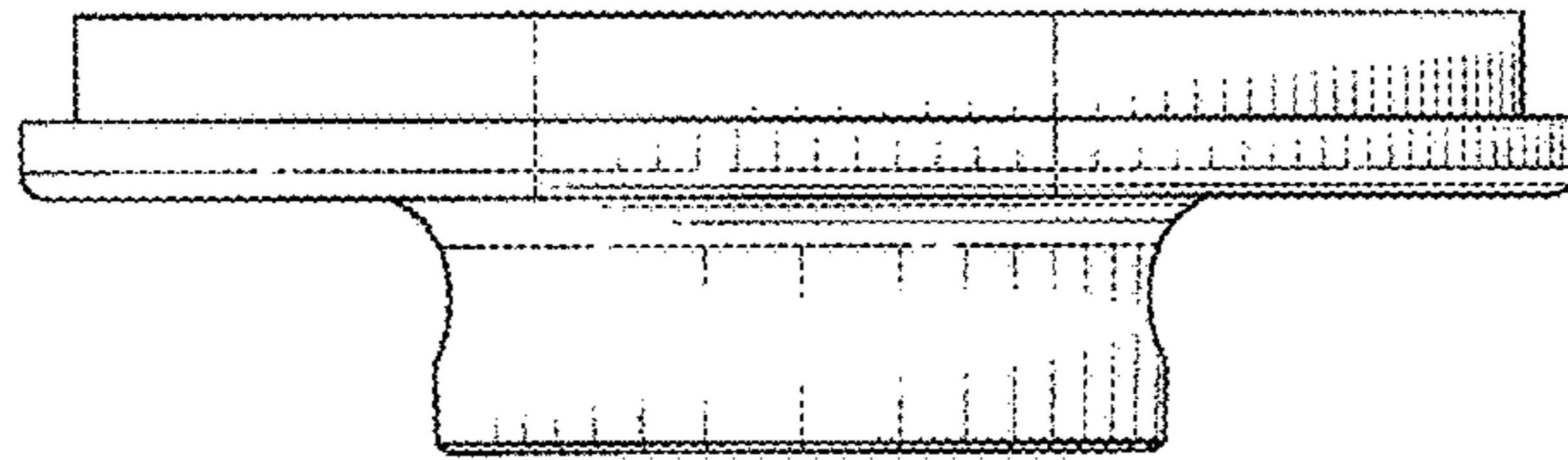


FIG. 6

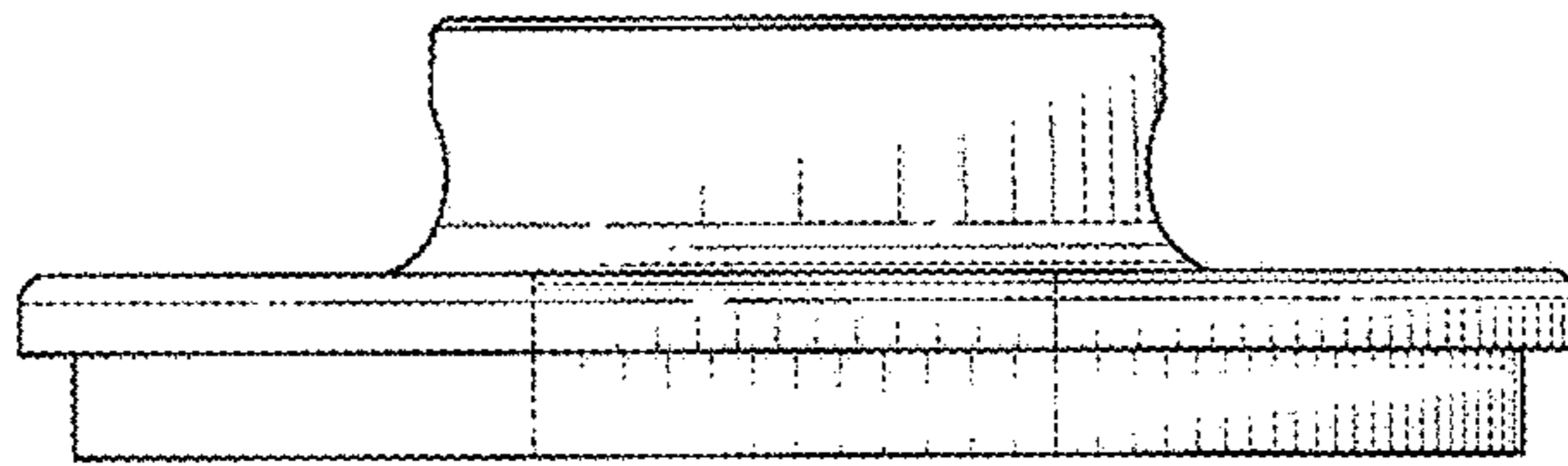


FIG. 7