



US00D795326S

(12) **United States Design Patent** (10) **Patent No.:** **US D795,326 S**
Martin et al. (45) **Date of Patent:** **** Aug. 22, 2017**

(54) **ADHESIVE MOUNT FOR PORTABLE CAMERA**

(71) Applicant: **OCU, LLC**, Tempe, AZ (US)

(72) Inventors: **Hugo Martin**, Oxfordshire (GB);
Robert William Moore, Theale (GB);
Firas Kittaneh, Tempe, AZ (US)

(73) Assignee: **OCU LIMITED**, East Grinstead (GB)

(**) Term: **15 Years**

(21) Appl. No.: **29/550,454**

(22) Filed: **Jan. 4, 2016**

(51) **LOC (10) Cl.** **16-05**

(52) **U.S. Cl.**
USPC **D16/242**

(58) **Field of Classification Search**

USPC D16/134, 136, 200, 204, 208, 213–219,
D16/235, 237–250; D14/203, 209, 217,
D14/218, 224, 250–253, 345, 440, 449;
D8/363, 373, 394

CPC G03B 17/02; G03B 17/04; G03B 17/14;
G03B 21/20–21/2066; G03B
15/041–15/0436; G03B 17/56; F16M
11/32

See application file for complete search history.

(56) **References Cited**

U.S. PATENT DOCUMENTS

D395,996 S *	7/1998	Fischer	D8/349
D402,881 S *	12/1998	Fischer	D8/354
D722,864 S *	2/2015	Greenthal	D8/382
D757,842 S *	5/2016	Harrison	D16/242
D758,473 S *	6/2016	Costa	D16/242
D764,566 S *	8/2016	Bennett	D16/242
D768,756 S *	10/2016	Miyashita	D16/242
D773,551 S *	12/2016	Clearman	D16/242
2015/0177597 A1 *	6/2015	Harrison	G03B 17/561 396/419

OTHER PUBLICATIONS

Fat Gecko Adhesive Helmet Mount. [online] Published date unknown. Retrieved on Jan. 27, 2017 from <URL: <http://www.delkindevices.com/product/fat-gecko-adhesive-helmet-mount/>>.*
Sport Camera Multi-Mount. [online] Published date unknown. Retrieved on Jan. 27, 2017 from <URL: <https://www.topeak.com/global/en/products/sport-camera-multi-mount/784-sport-camera-multi-mount>>.*

* cited by examiner

Primary Examiner — Vy Koenig

Assistant Examiner — Omeed Agilee

(74) *Attorney, Agent, or Firm* — Weiss & Moy, P.C.;
Jeffrey D. Moy

(57) **CLAIM**

The ornamental design for an adhesive mount for portable camera, as shown and described.

DESCRIPTION

FIG. 1 is a front, right and top perspective view of an adhesive mount for portable camera showing our new design;

FIG. 2 is a top view of the adhesive mount for portable camera;

FIG. 3 is a right side view of the adhesive mount for portable camera;

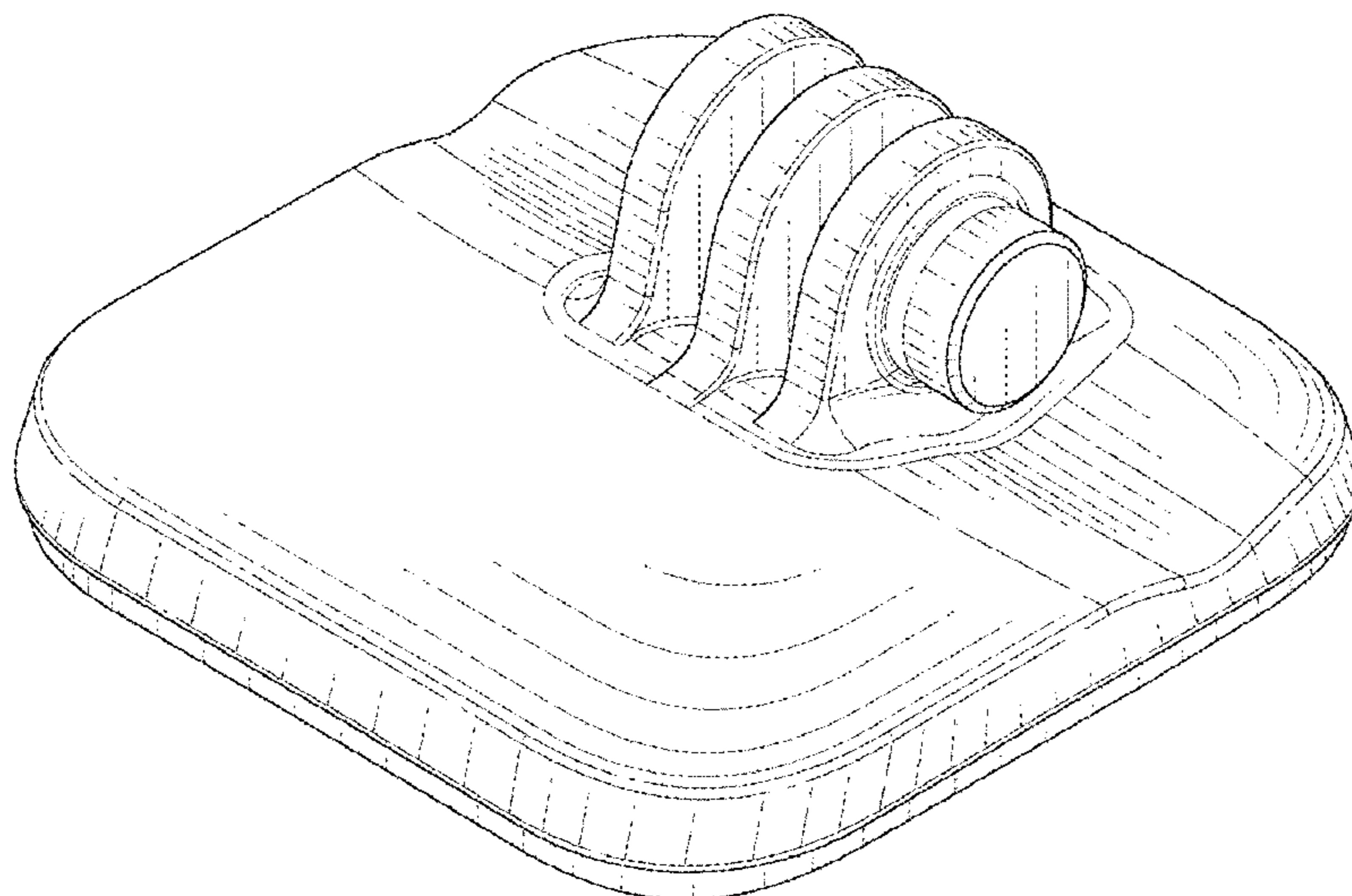
FIG. 4 is a left side view of the adhesive mount for portable camera;

FIG. 5 is a rear view of the adhesive mount for portable camera; and,

FIG. 6 is a bottom view of the adhesive mount for portable camera.

The broken lines in the drawings depict portions of the adhesive mount for portable camera that form no part of the claimed design.

1 Claim, 3 Drawing Sheets



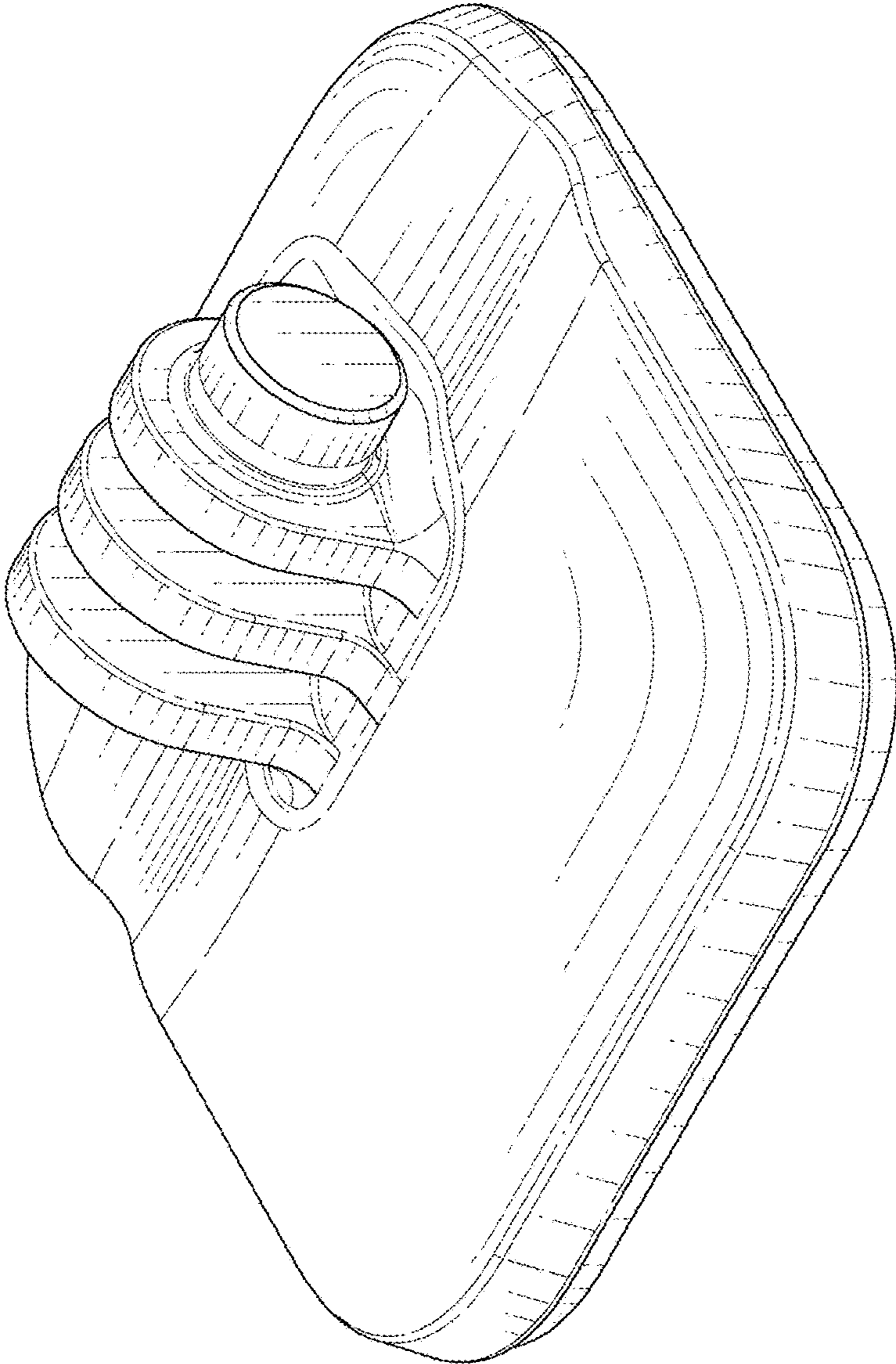


FIG. 1

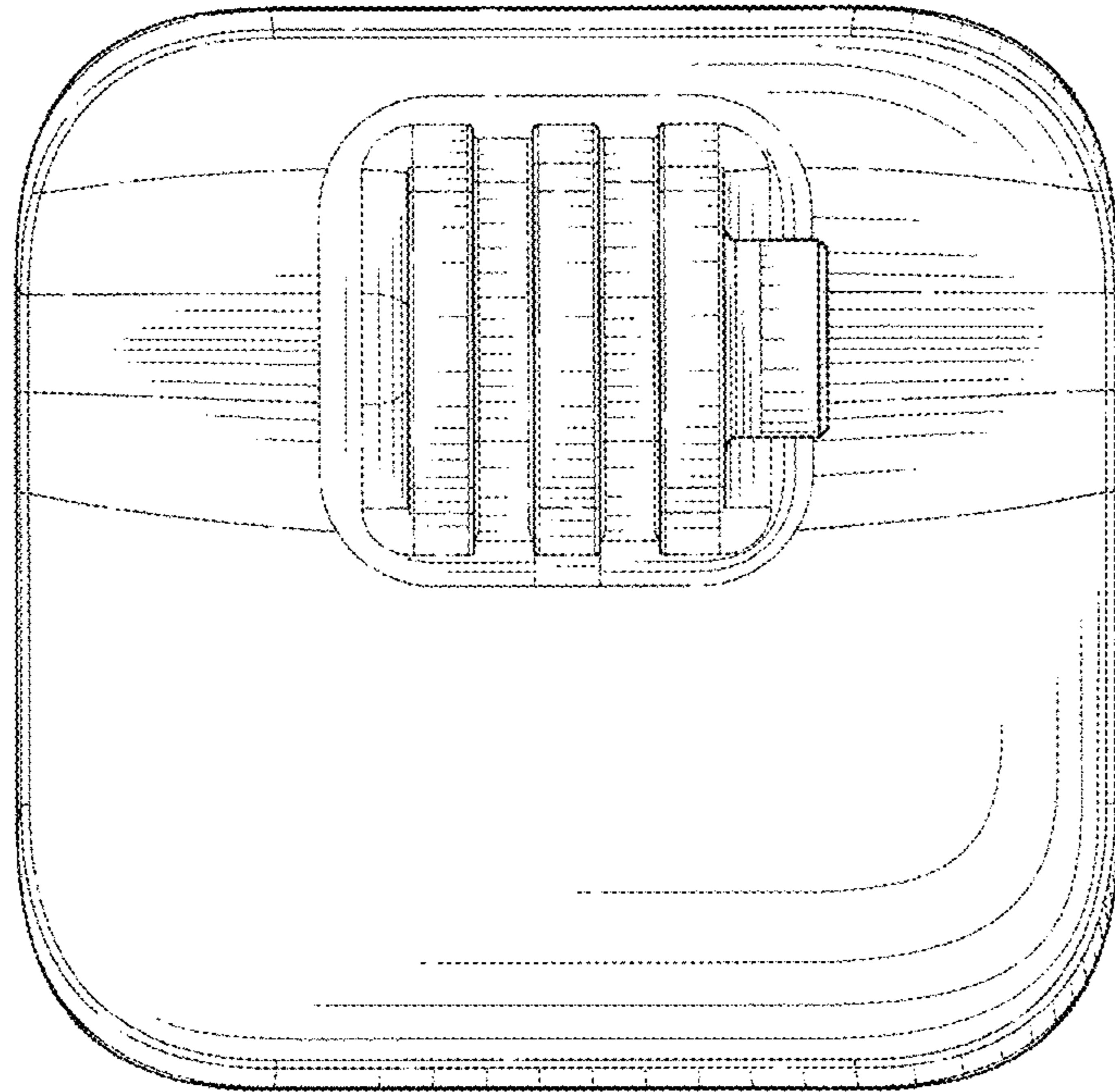


FIG. 2

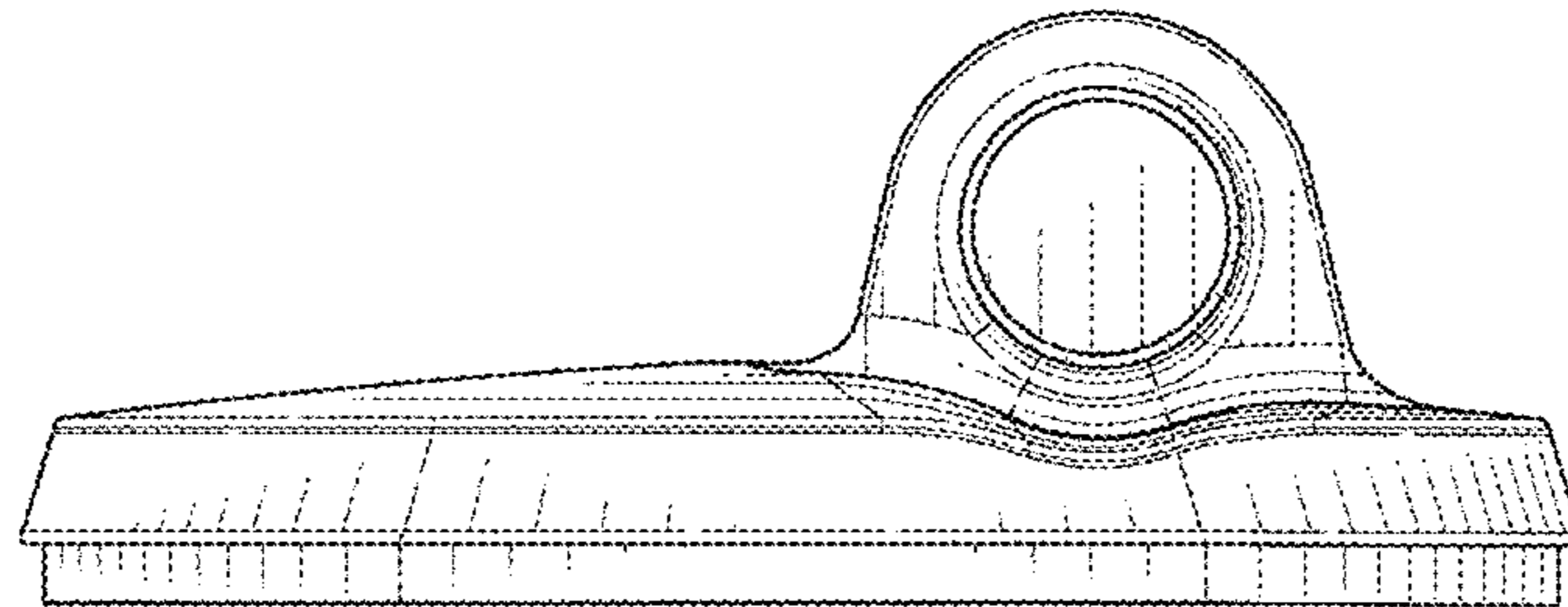


FIG. 3

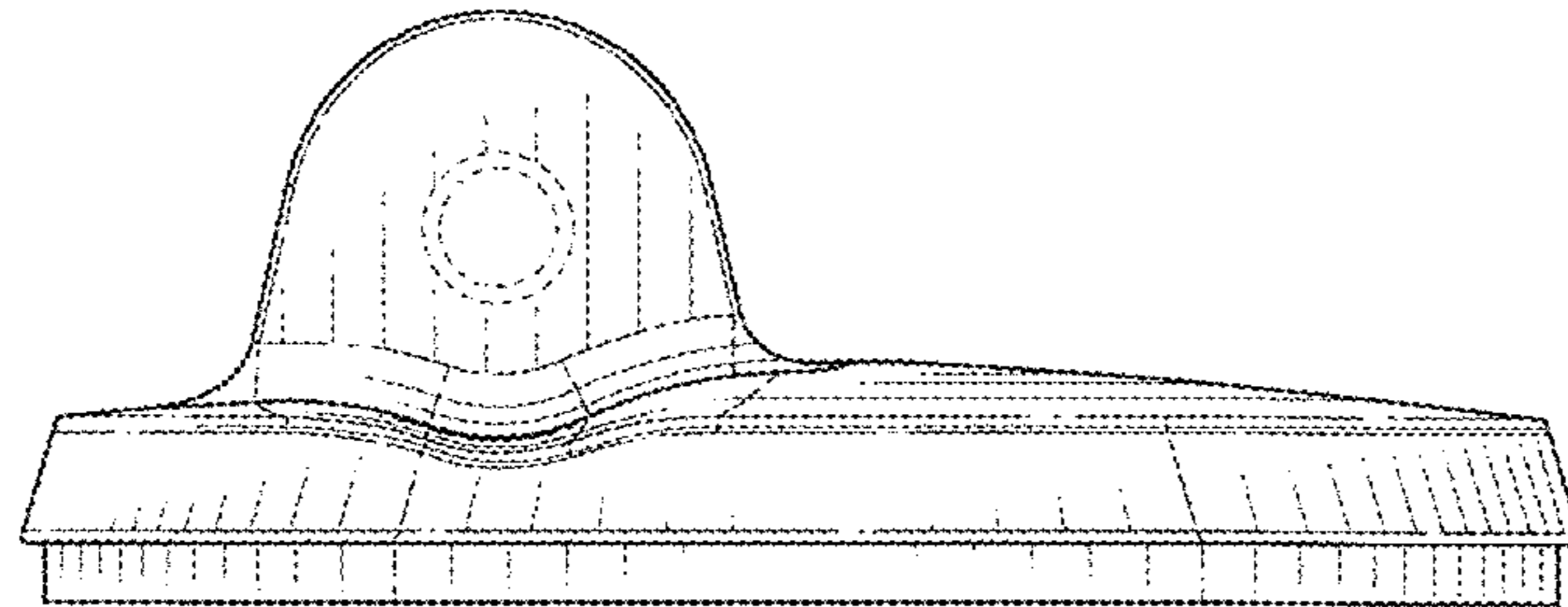


FIG. 4

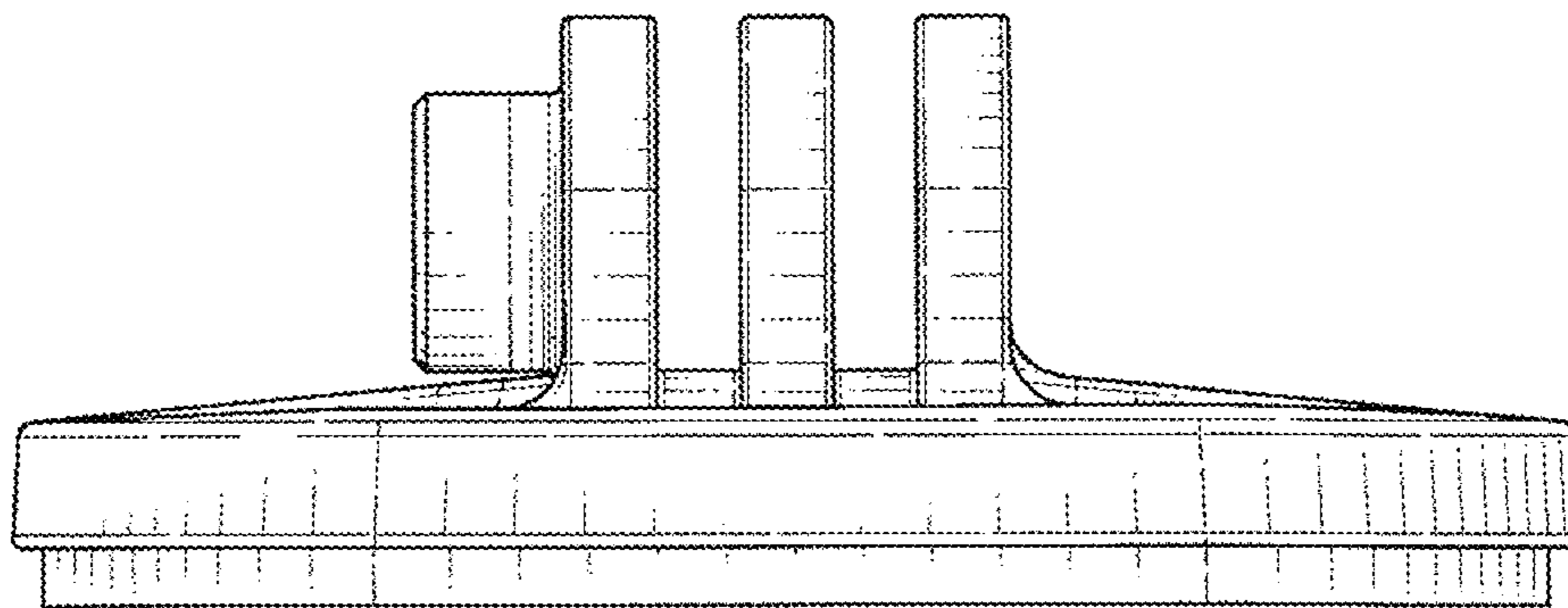


FIG. 5

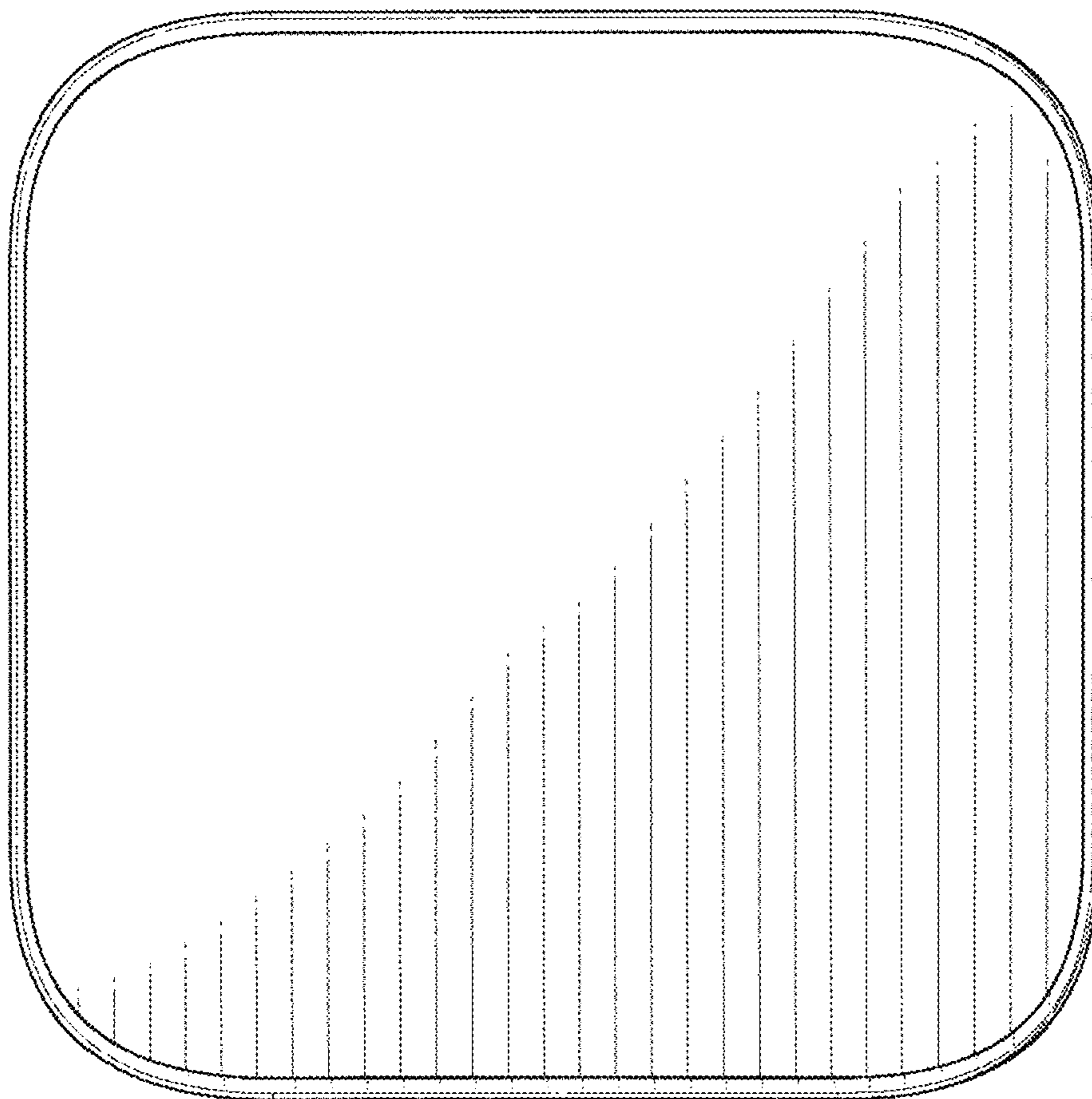


FIG. 6