



US00D795324S

(12) **United States Design Patent**
Sato

(10) **Patent No.:** **US D795,324 S**
(45) **Date of Patent:** **** Aug. 22, 2017**

(54) **DIGITAL CAMERA**

(71) Applicant: **FUJIFILM Corporation**, Tokyo (JP)

(72) Inventor: **Jun Sato**, Tokyo (JP)

(73) Assignee: **FUJIFILM Corporation**, Tokyo (JP)

(**) Term: **15 Years**

(21) Appl. No.: **29/556,510**

(22) Filed: **Mar. 1, 2016**

(30) **Foreign Application Priority Data**

Sep. 3, 2015 (JP) 2015-019594

(51) **LOC (10) Cl.** **16-01**

(52) **U.S. Cl.**
USPC **D16/202**

(58) **Field of Classification Search**
USPC D16/200, 202–206, 208, 218, 219;
348/373–376; 396/535, 539–541
CPC G03B 15/03; G03B 17/02; G03B 17/04;
G03B 17/56; G03B 19/04; H04N 5/2251;
H04N 5/2252; H04N 5/2253; H04N
5/2254; H04N 2101/00
See application file for complete search history.

(56) **References Cited**

U.S. PATENT DOCUMENTS

D631,496 S *	1/2011	Tainaka	D16/202
D649,997 S *	12/2011	Imai	D16/202
D657,408 S *	4/2012	Tainaka	D16/202
D681,710 S *	5/2013	Sato	D16/200
D695,807 S *	12/2013	Tainaka	D16/202
D697,960 S *	1/2014	Sato	D16/200
D698,839 S *	2/2014	Sato	D16/200
D701,257 S *	3/2014	Ogawa	D16/202
D716,862 S *	11/2014	Hoshi	D16/202
D749,659 S *	2/2016	Kamei	D16/202
2011/0109790 A1 *	5/2011	Shinohara	G03B 17/14 348/373

(Continued)

FOREIGN PATENT DOCUMENTS

JP 1448637 S 8/2012

OTHER PUBLICATIONS

Japanese Office Action for Design Application No. 2015-019594 dated Jan. 20, 2016.

(Continued)

Primary Examiner — Philip S Hyder

Assistant Examiner — Ramzi Almatrahi

(74) *Attorney, Agent, or Firm* — Young & Thompson

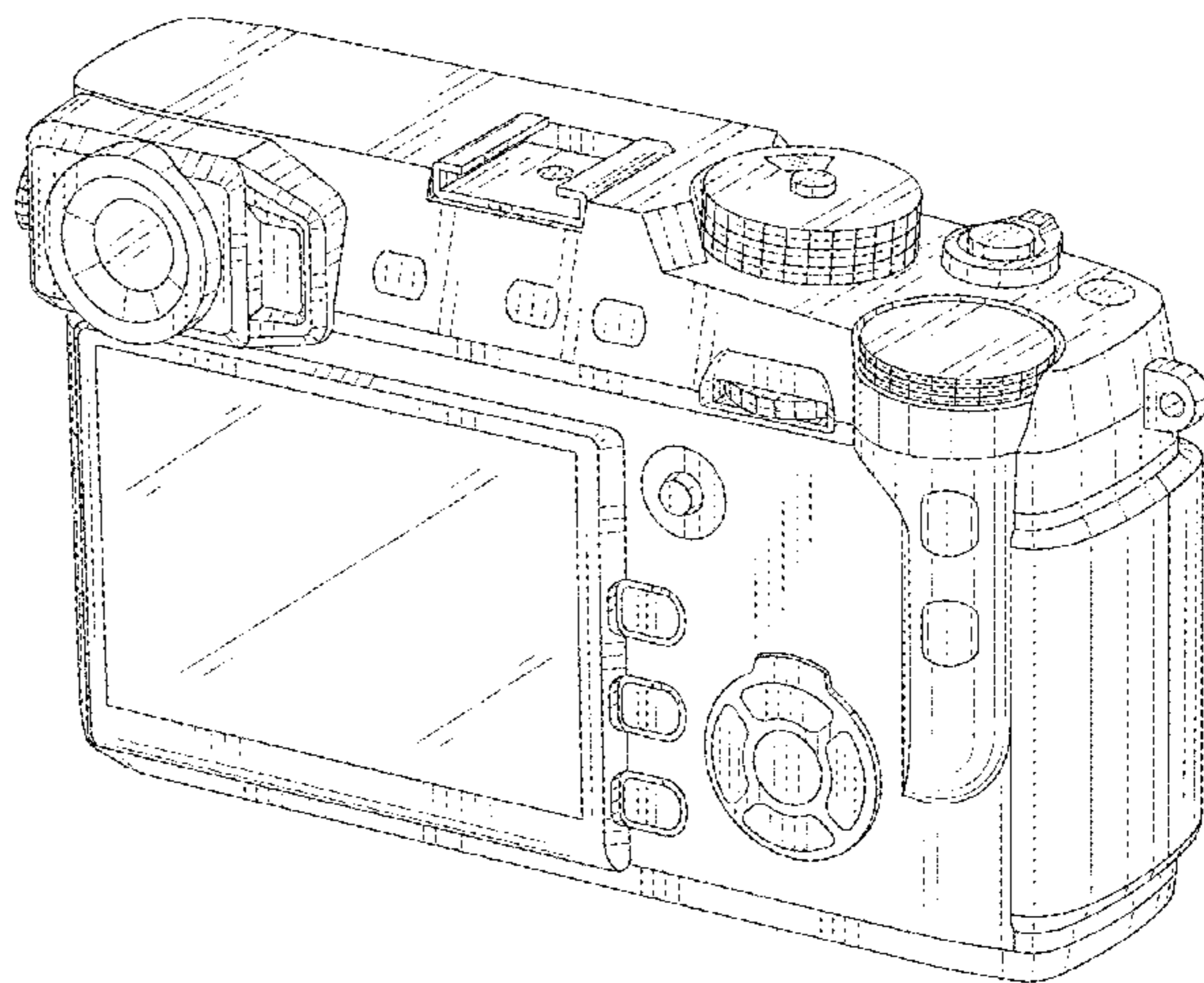
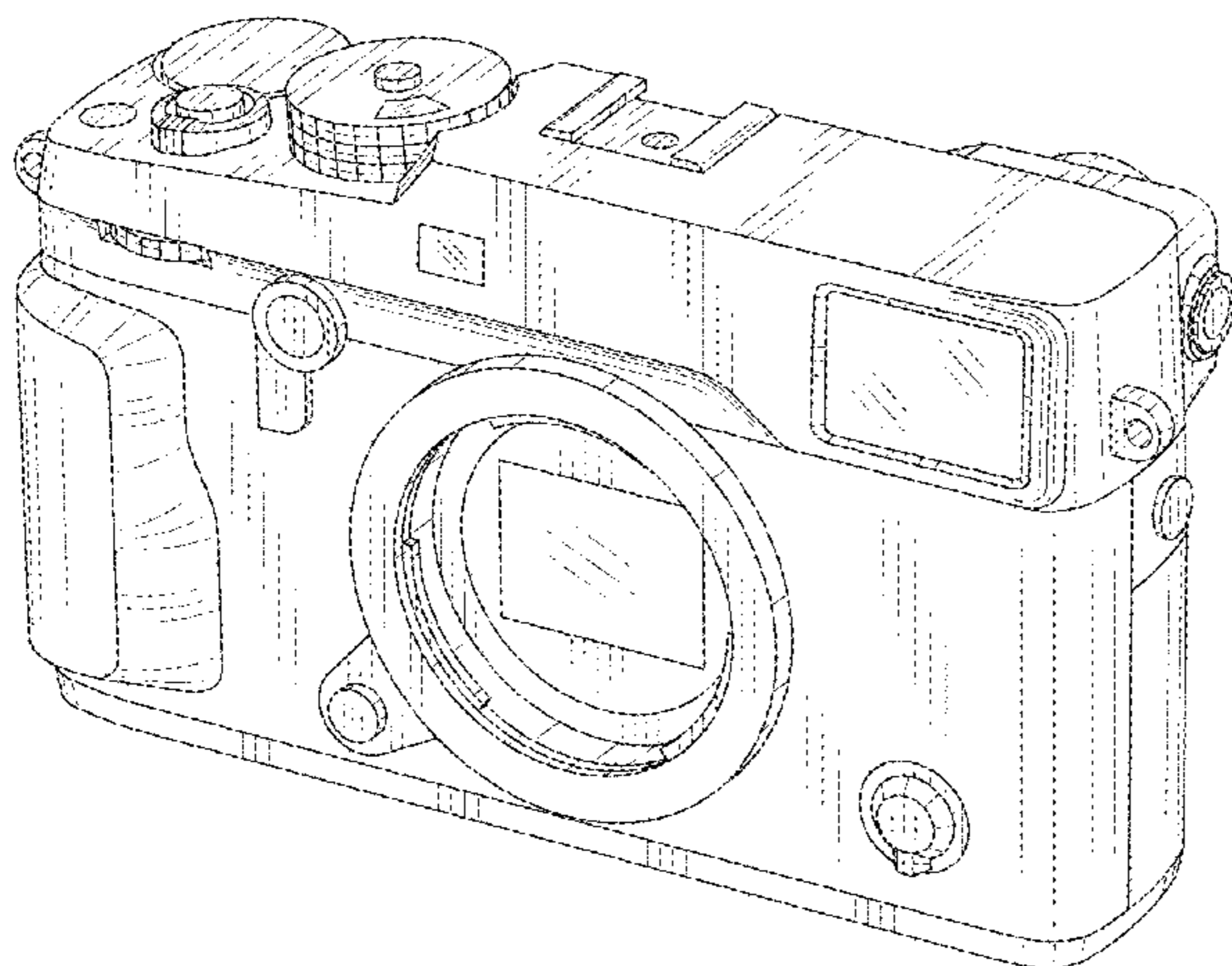
(57) **CLAIM**

The ornamental design for a digital camera, as shown and described.

DESCRIPTION

FIG. 1 is a top, front and right side perspective view of a digital camera showing my new design;
 FIG. 2 is a top, rear and left side perspective view thereof;
 FIG. 3 is a front elevational view thereof;
 FIG. 4 is a rear elevational view thereof;
 FIG. 5 is a top plan view thereof;
 FIG. 6 is a bottom plan view thereof;
 FIG. 7 is a right side elevational view thereof;
 FIG. 8 is a left side elevational view thereof; and,
 FIG. 9 is a top, front and right side perspective view thereof, shown in condition of use with a camera lens disclosed in broken lines to illustrate an environment.
 The broken lines depict portions of a digital camera in which the design is embodied that form no part of the claimed design.
 The broken lines showing a camera lens in FIG. 9 represent environmental structure and form no part of the claimed design.

1 Claim, 9 Drawing Sheets



(56)

References Cited

U.S. PATENT DOCUMENTS

2011/0216237 A1* 9/2011 Shinohara G03B 17/02
348/373
2011/0298970 A1* 12/2011 Shinohara G03B 17/14
348/373

OTHER PUBLICATIONS

Japanese Office Action for Design Application No. 2015-019594
dated Apr. 20, 2016.

* cited by examiner

FIG. 1

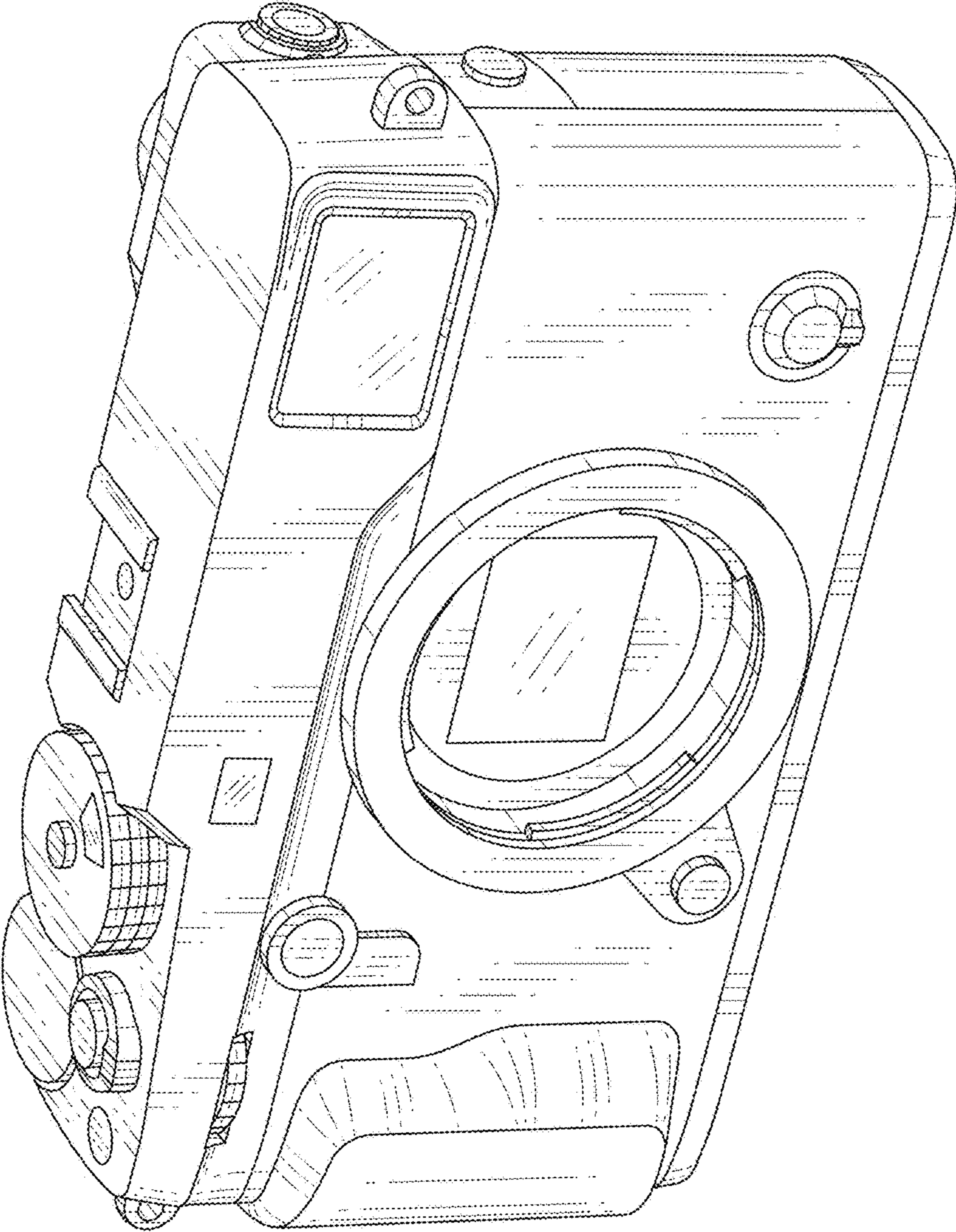


FIG. 2

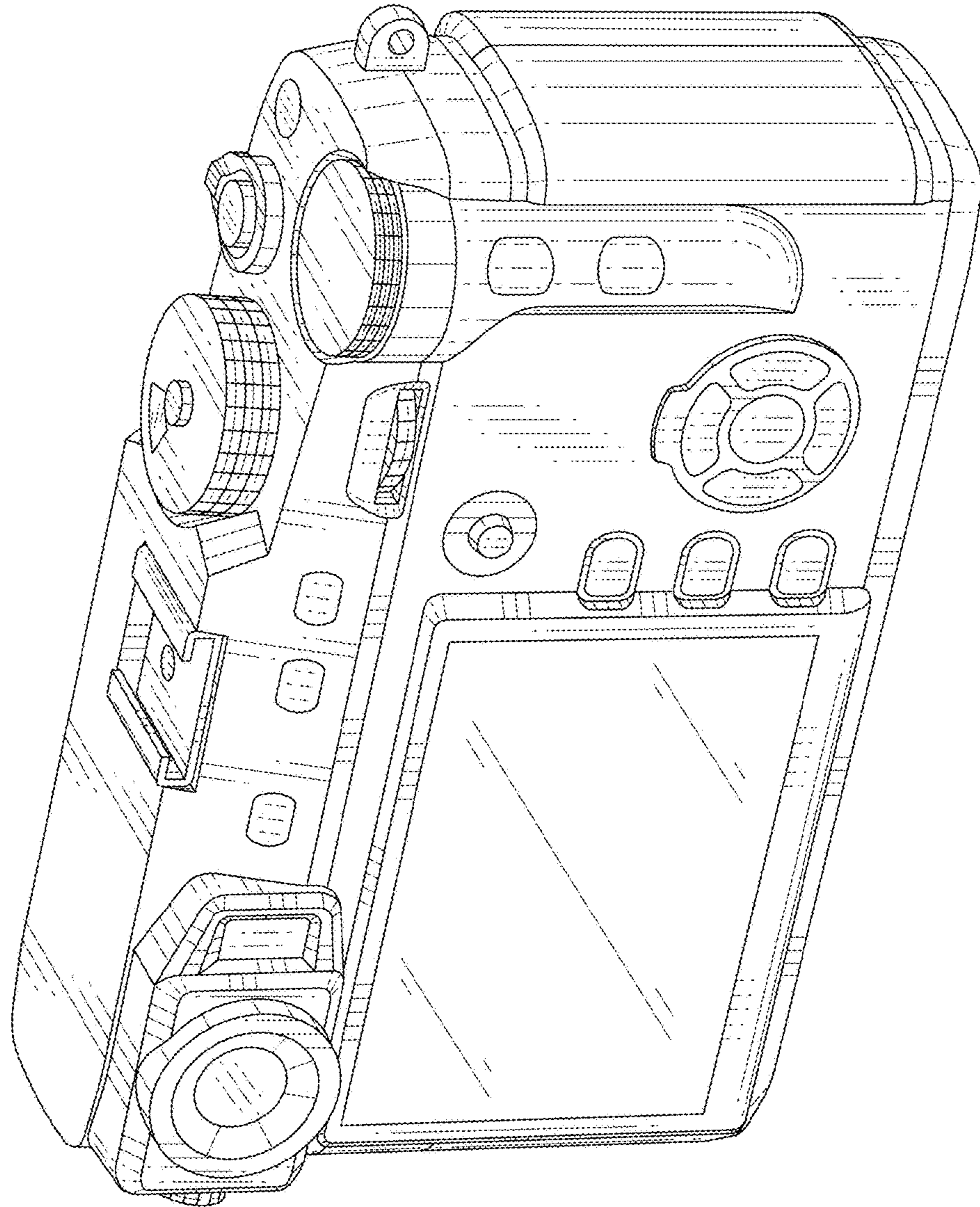


FIG. 3

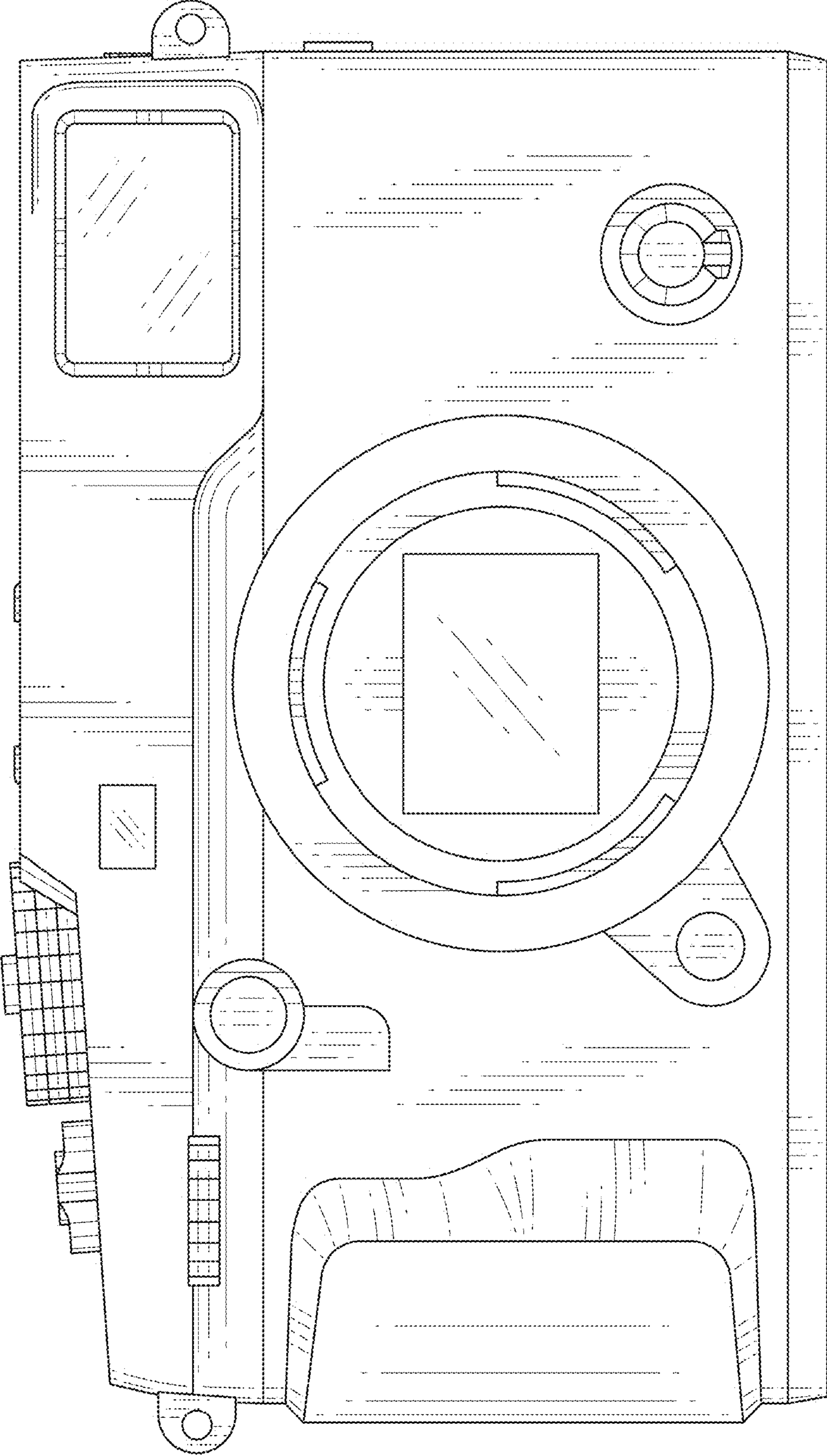


FIG. 4

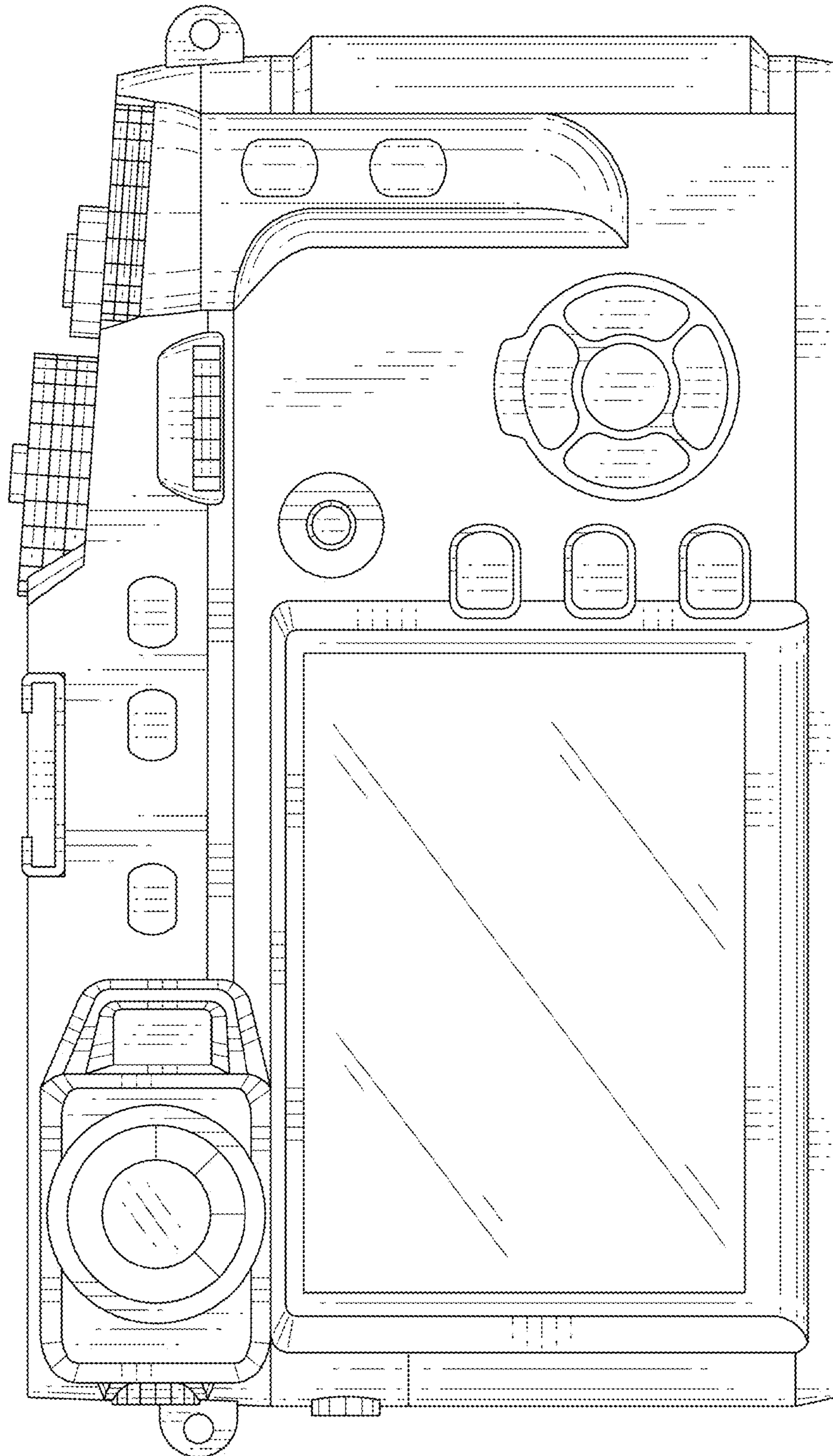


FIG. 5

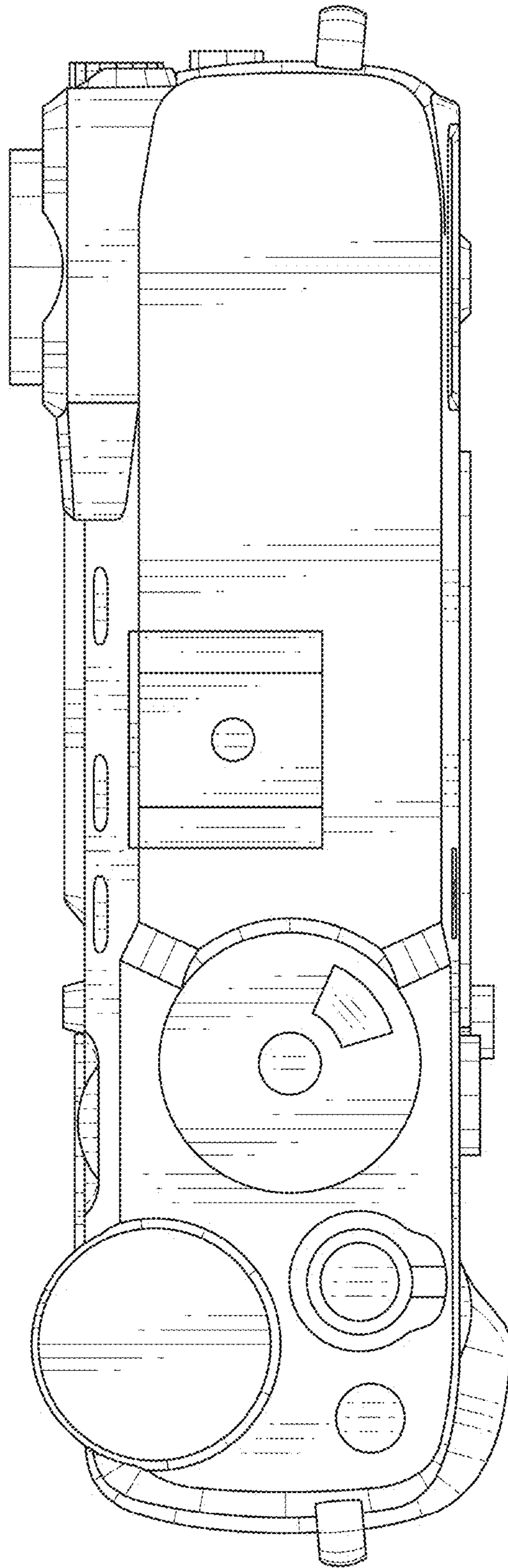


FIG. 6

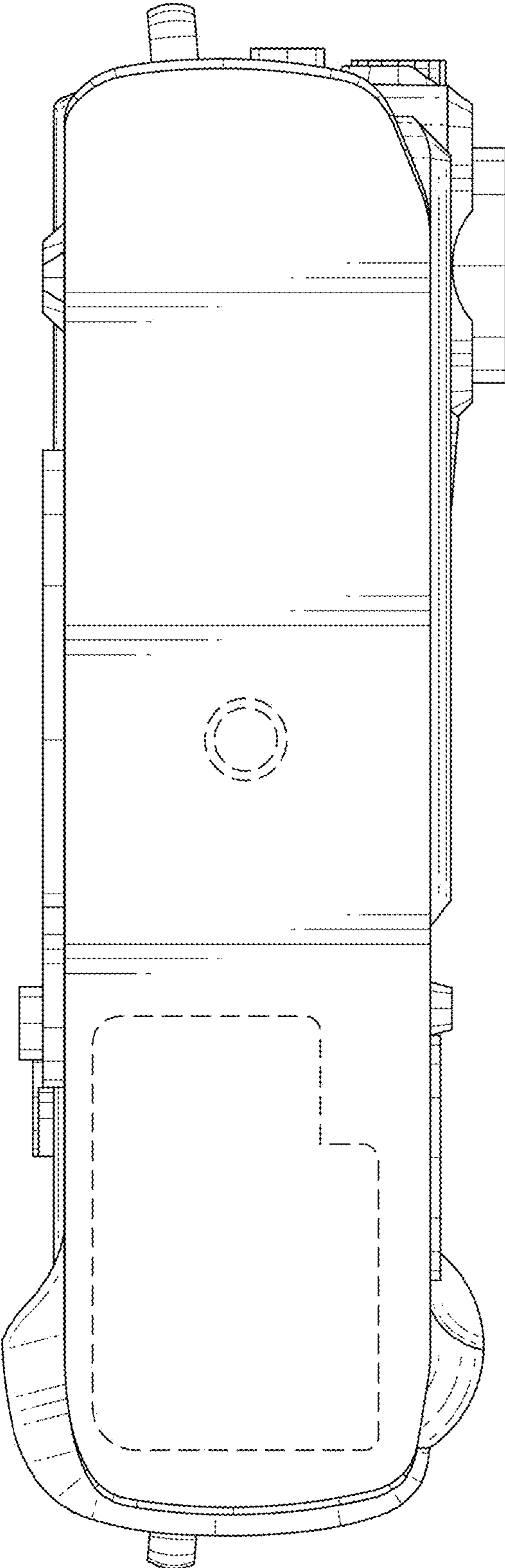


FIG. 7

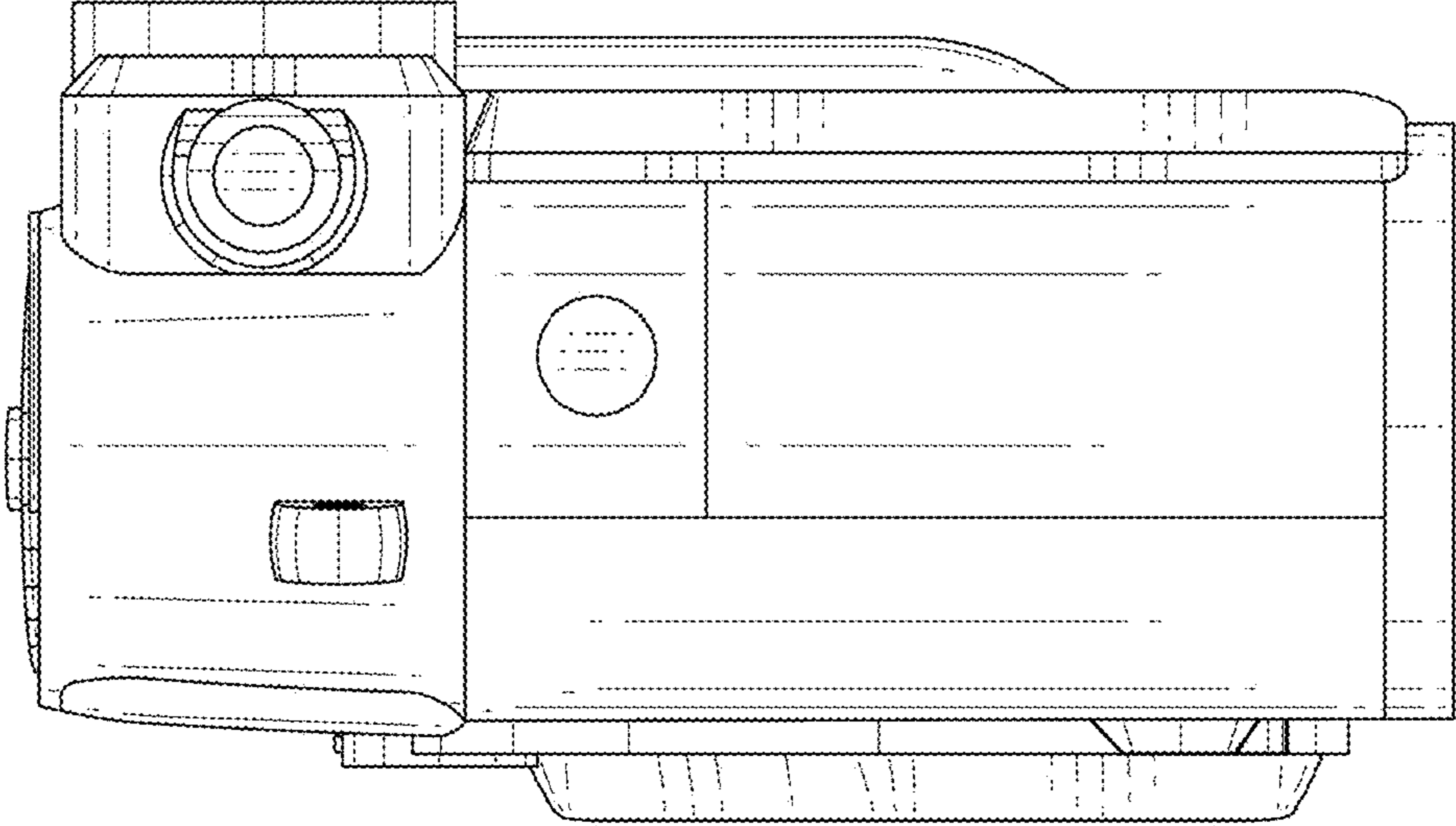


FIG. 8

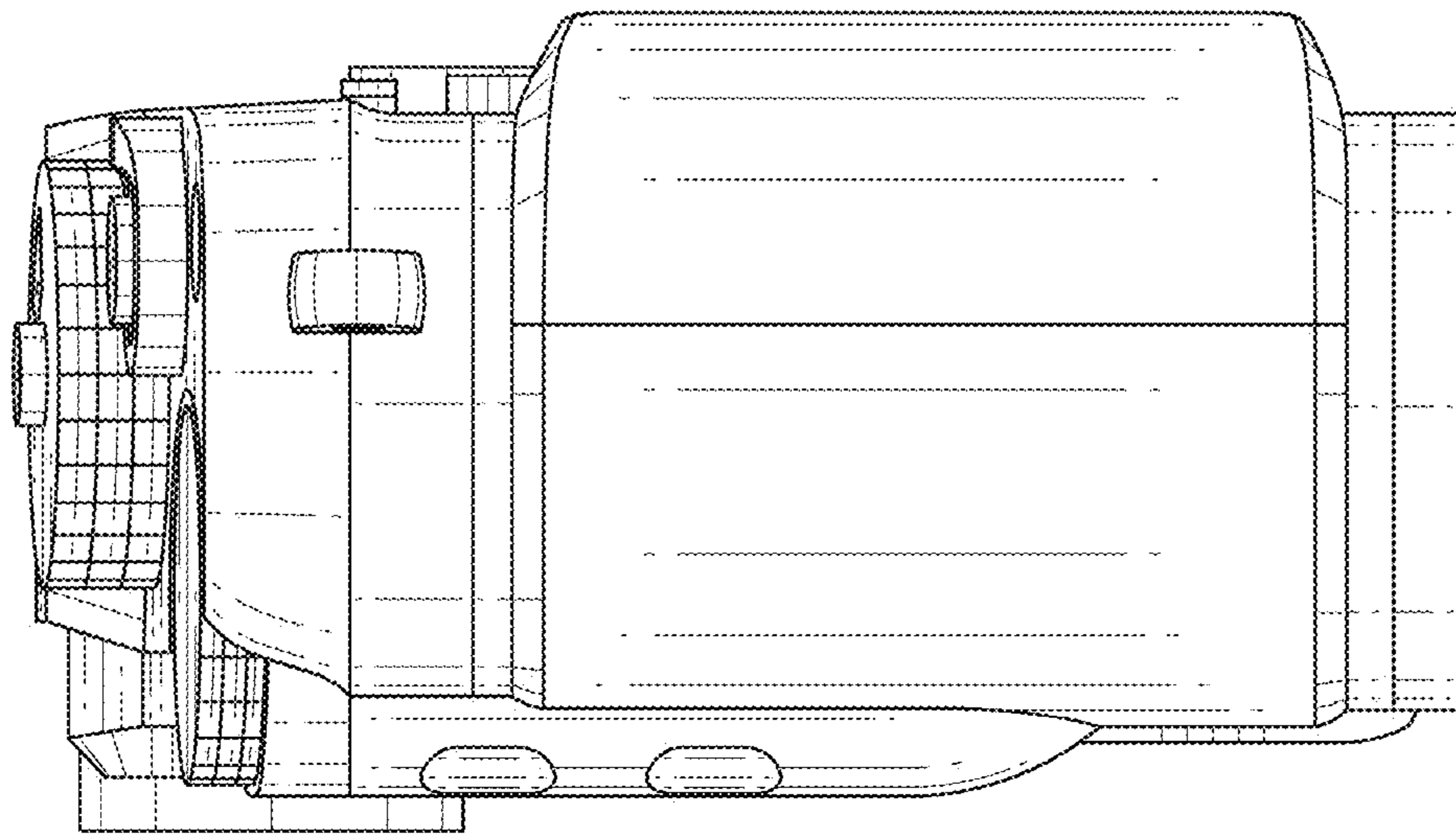


FIG. 9

