



US00D795323S

(12) **United States Design Patent**  
**Melamed et al.**

(10) **Patent No.: US D795,323 S**

(45) **Date of Patent: \*\* \*Aug. 22, 2017**

(54) **APPARATUS FOR CAPTURING IMAGES OF GEMSTONES**

(71) Applicant: **Tripled Experience Ltd.**, Tel Aviv (IL)

(72) Inventors: **Gil Melamed**, Tel Aviv (IL); **Ziv Melamed**, Tel Aviv (IL); **Menachem Ventura**, Tel Aviv (IL)

(73) Assignee: **Tripled Experience Ltd.**, Tel Aviv (IL)

(\*) Notice: This patent is subject to a terminal disclaimer.

(\*\*) Term: **14 Years**

(21) Appl. No.: **29/520,597**

(22) Filed: **Mar. 16, 2015**

(51) **LOC (10) Cl.** ..... **16-06**

(52) **U.S. Cl.**  
USPC ..... **D16/135**

(58) **Field of Classification Search**  
USPC ..... D14/420; D16/130, 134-436;  
348/222.1, 63, 333.01, 333.11, 333.12  
CPC .. G02B 25/002; G02B 25/007; G02B 25/005;  
G02B 27/026; H04N 1/0044; H04N  
1/00562; H04N 1/00129  
See application file for complete search history.

(56) **References Cited**

**U.S. PATENT DOCUMENTS**

5,430,538 A	7/1995	Kobayashi	
5,515,157 A	5/1996	Can	
6,348,964 B1 *	2/2002	Wagner	G01N 21/8803 356/30
D682,903 S *	5/2013	Bratt	D16/131
D682,905 S *	5/2013	Kendall	D16/130
8,947,589 B1 *	2/2015	Okabe	G03B 17/02 348/373
D757,696 S *	5/2016	Eski	D14/240
D758,471 S *	6/2016	van Hees	D16/135

2007/0109529 A1 *	5/2007	Wagner	G01N 21/87 356/30
2009/0180100 A1 *	7/2009	Wagner	G01N 21/87 356/30
2011/0094266 A1 *	4/2011	Gumuchian	A44C 17/04 63/28
2011/0228063 A1 *	9/2011	Smith	G01N 21/87 348/61

(Continued)

**FOREIGN PATENT DOCUMENTS**

WO 2008119125 A1 10/2008

*Primary Examiner* — Susan Bennett Hattan

*Assistant Examiner* — Jennifer Wright

(74) *Attorney, Agent, or Firm* — M&B IP Analysts, LLC

(57) **CLAIM**

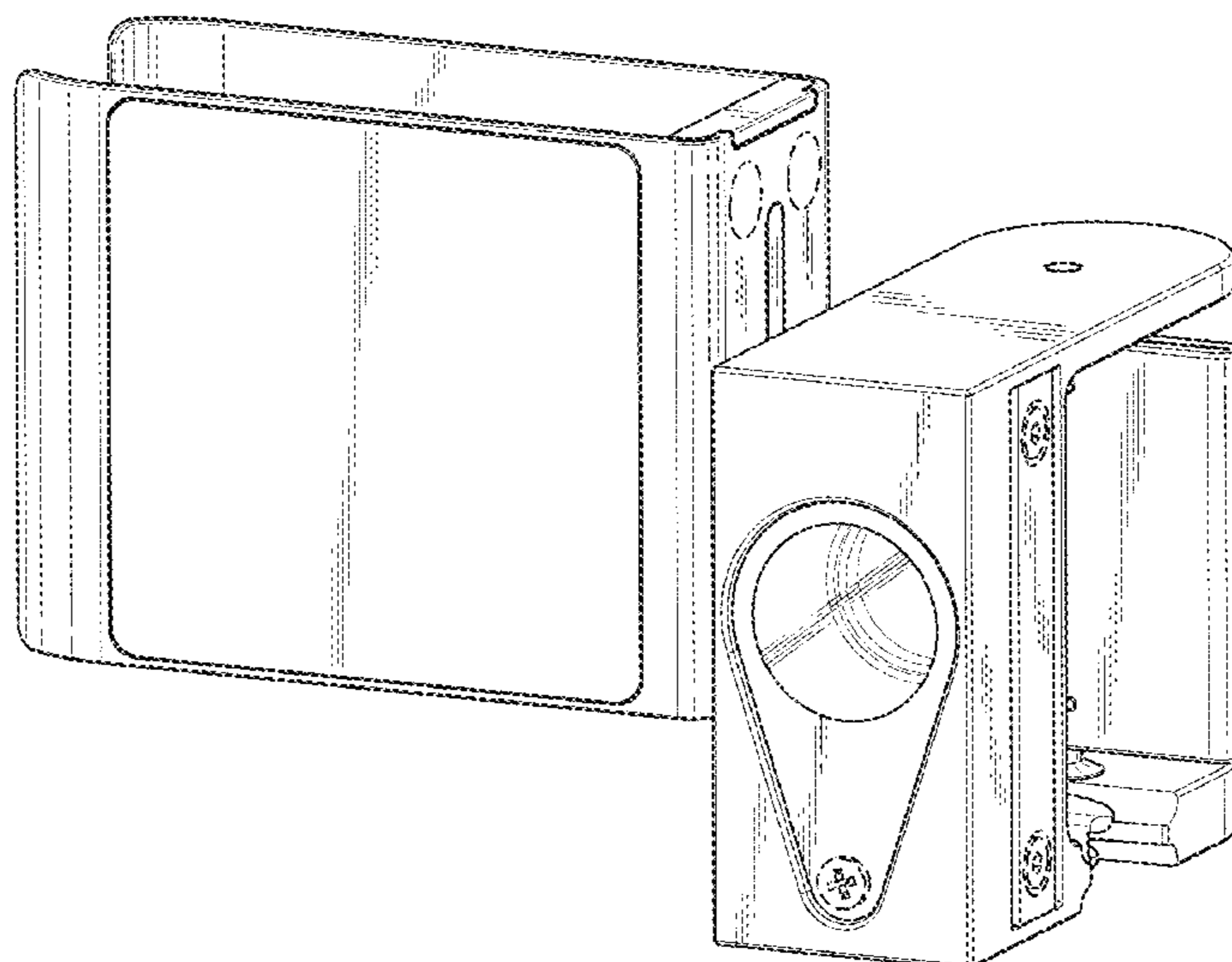
We claim the ornamental design for an apparatus for capturing images of gemstones, as shown and described.

**DESCRIPTION**

FIG. 1 is a perspective view from the upper front right side of one embodiment of an apparatus for capturing images of gemstones assembly showing our new design; FIG. 2 is a lower front right side view thereof; FIG. 3 is an upper back right side thereof; FIG. 4 is an upper back left side thereof; FIG. 5 is a top view thereof; FIG. 6 is a front view thereof; FIG. 7 is a bottom view thereof; FIG. 8 is a left view thereof; FIG. 9 is a right view thereof; FIG. 10 is a back view thereof; FIG. 11 is an upper back side view; and, FIG. 12 is the view of FIG. 11 depicting the addition of a smart phone.

The broken lines in the drawings depict portions of the apparatus for capturing images of gemstones that form no part of the claimed design.

**1 Claim, 10 Drawing Sheets**



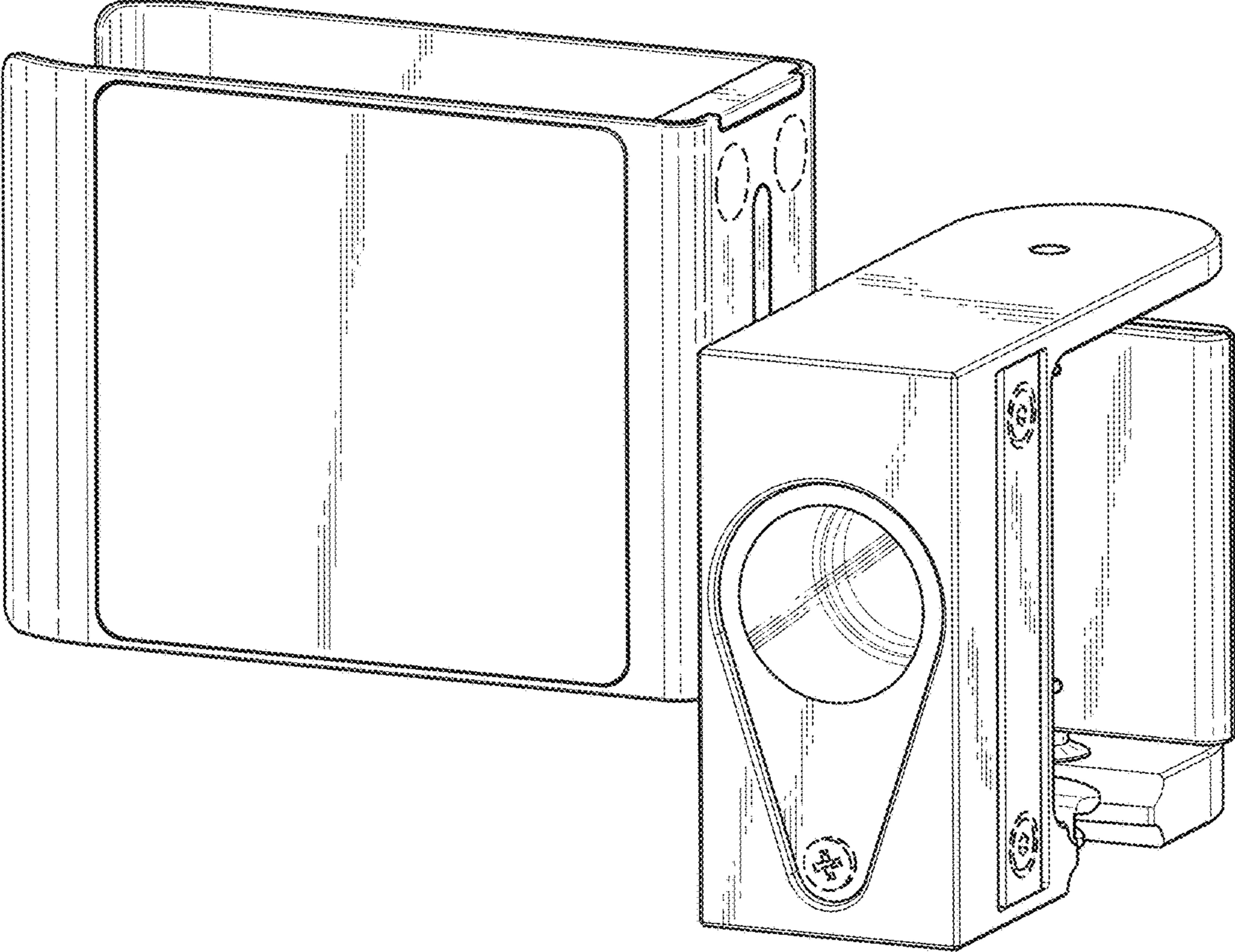
(56)

**References Cited**

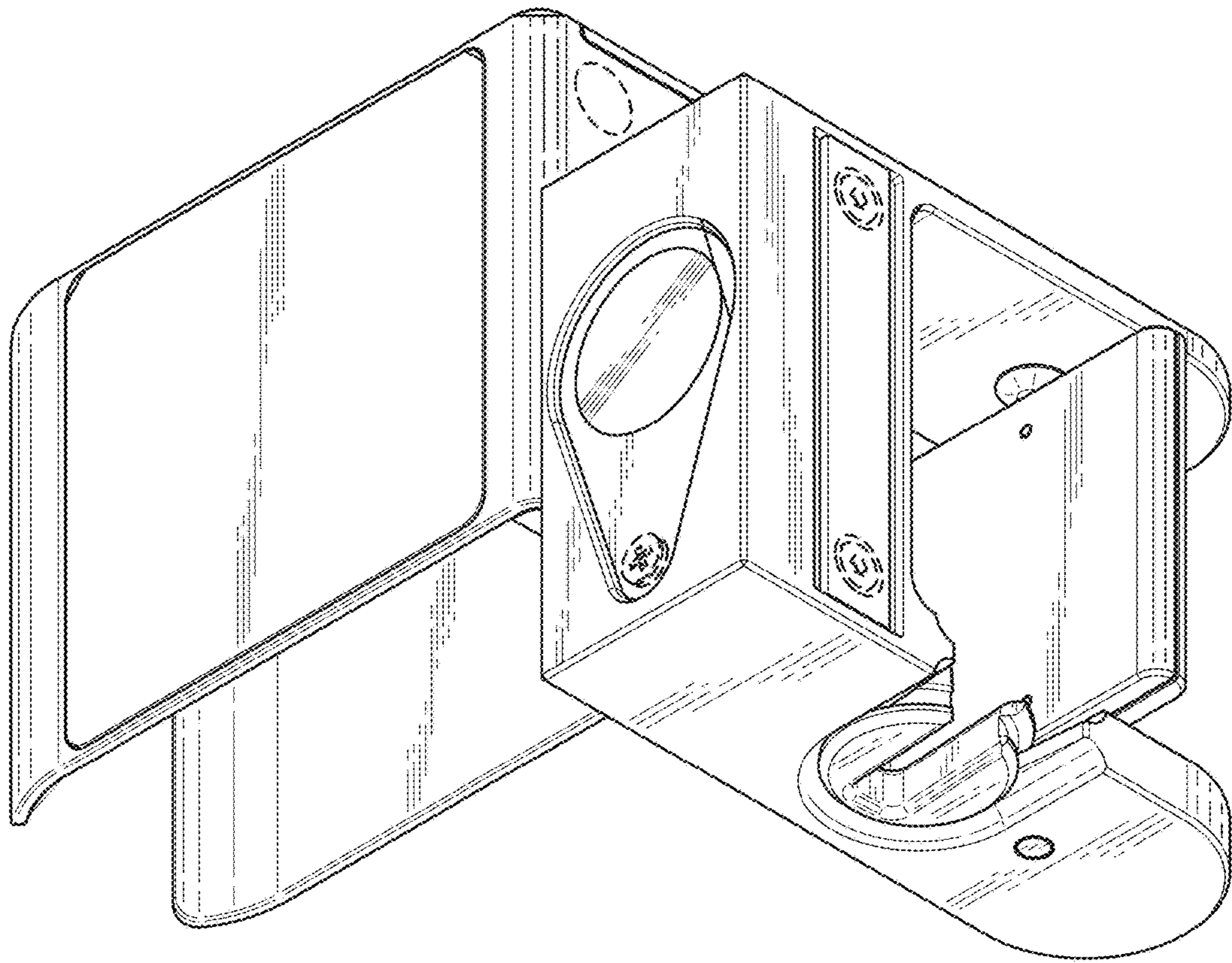
U.S. PATENT DOCUMENTS

2013/0335837	A1 *	12/2013	Wagner .....	G02B 27/025 359/802
2014/0063292	A1 *	3/2014	Wagner .....	G01N 21/87 348/231.99
2014/0119613	A1 *	5/2014	D’Gama .....	G01N 21/87 382/109
2014/0160350	A1 *	6/2014	Takabatake .....	H04N 5/247 348/376
2015/0181072	A1 *	6/2015	Kasahara .....	H04N 1/19594 358/475
2015/0253255	A1 *	9/2015	Wagner .....	G01N 21/87 356/30
2016/0156754	A1 *	6/2016	Cotelo .....	H04M 1/027 455/575.8
2016/0191730	A1 *	6/2016	Ohata .....	H04N 1/00307 358/1.15

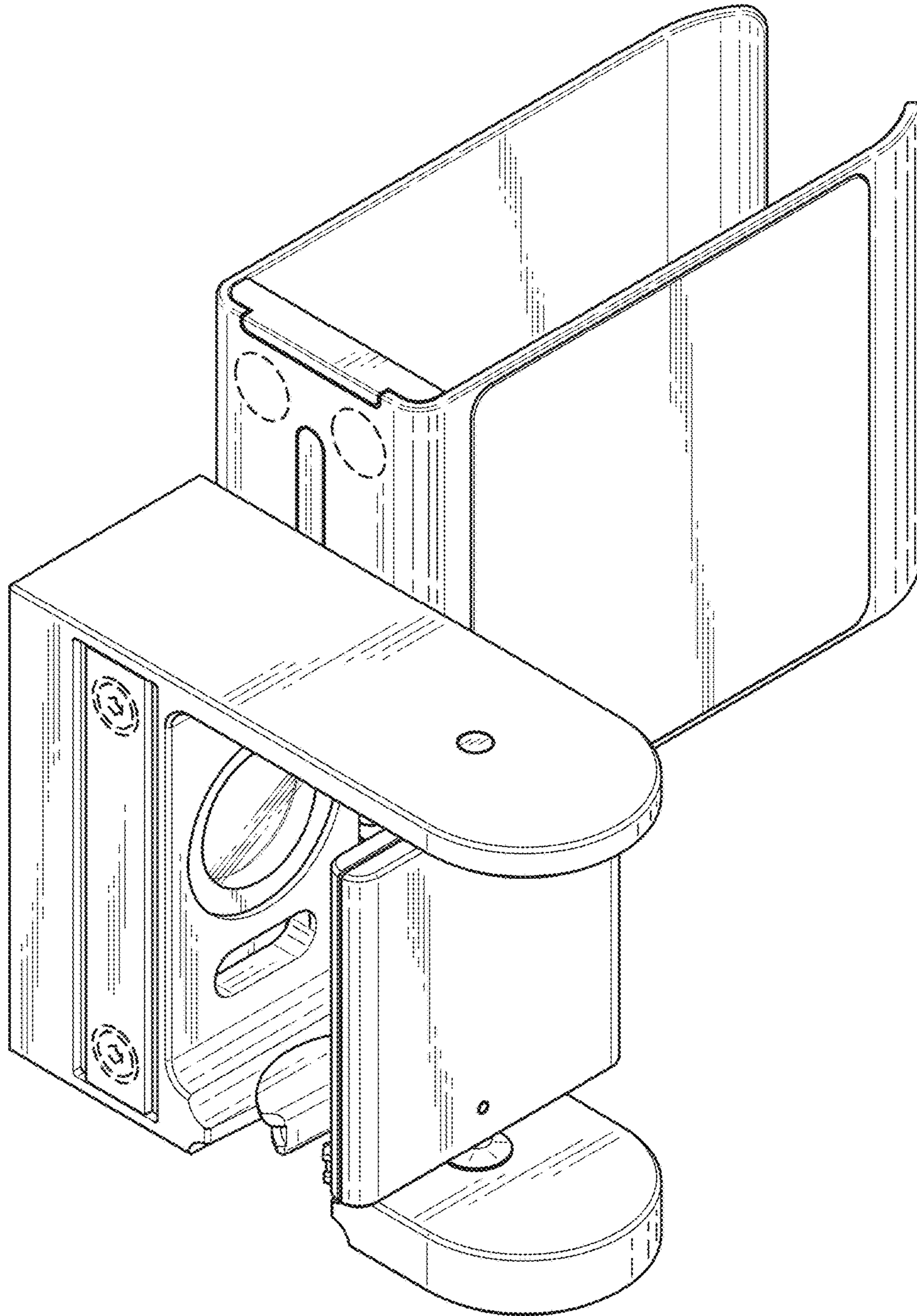
\* cited by examiner



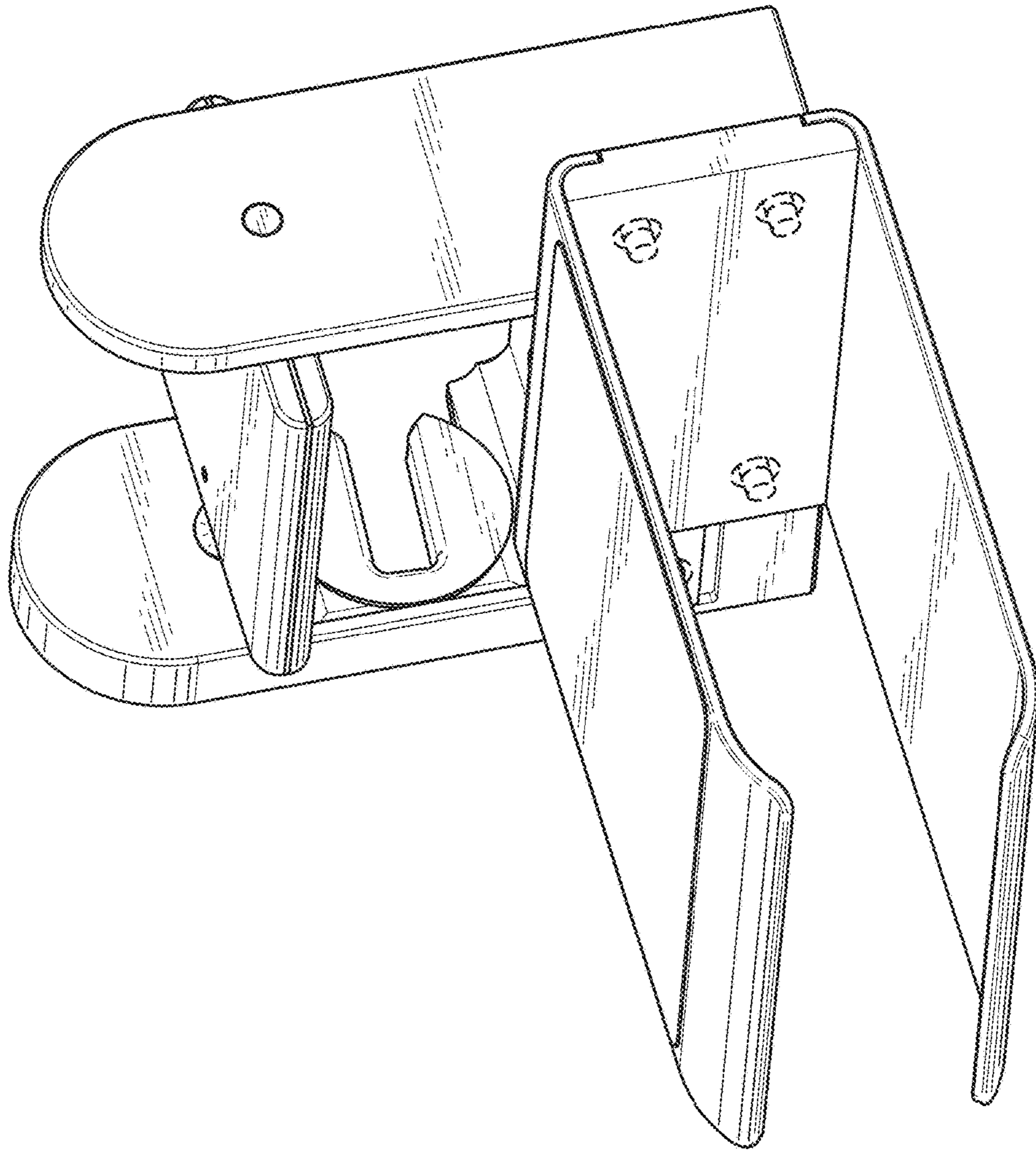
*FIG. 1*



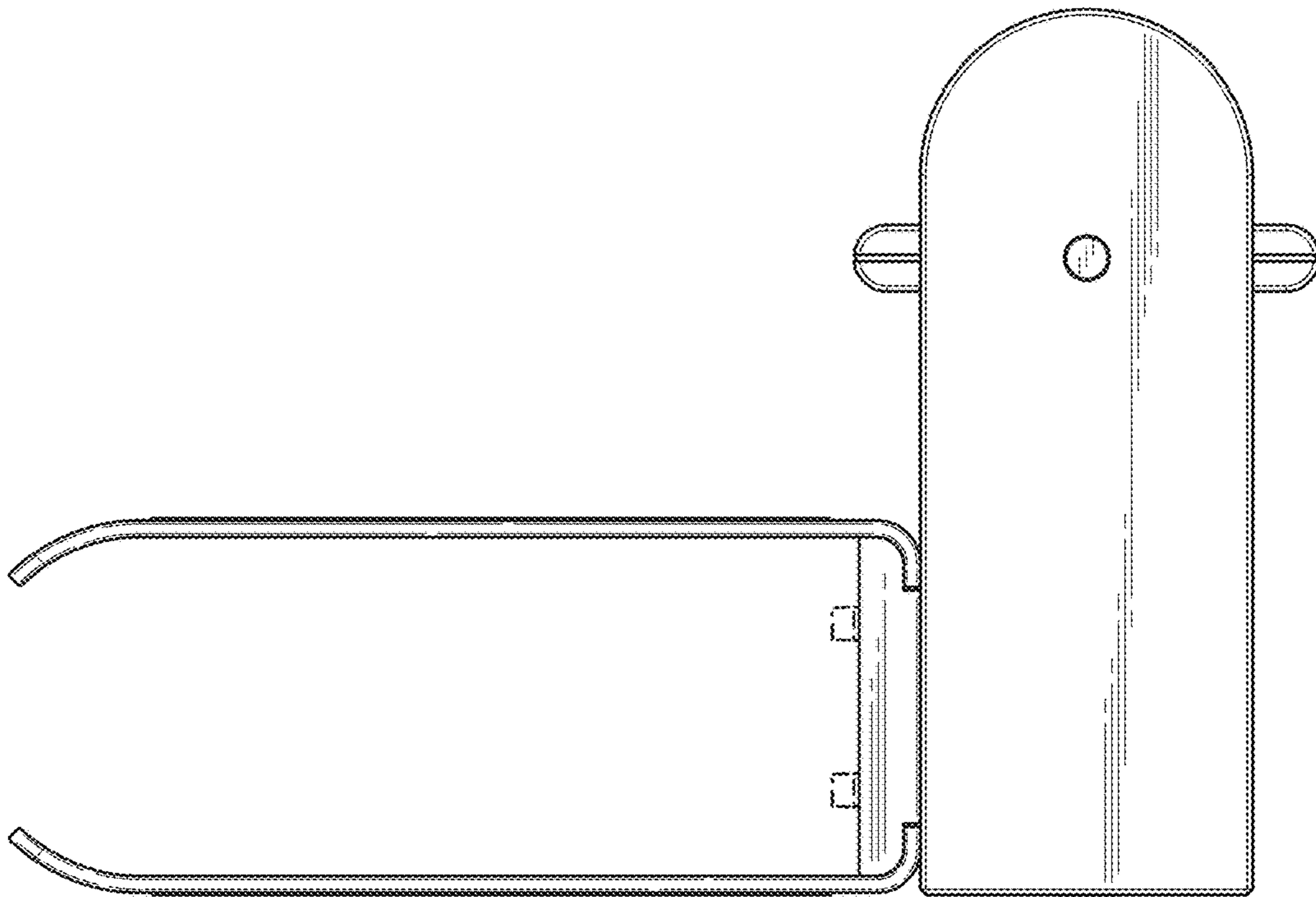
*FIG. 2*



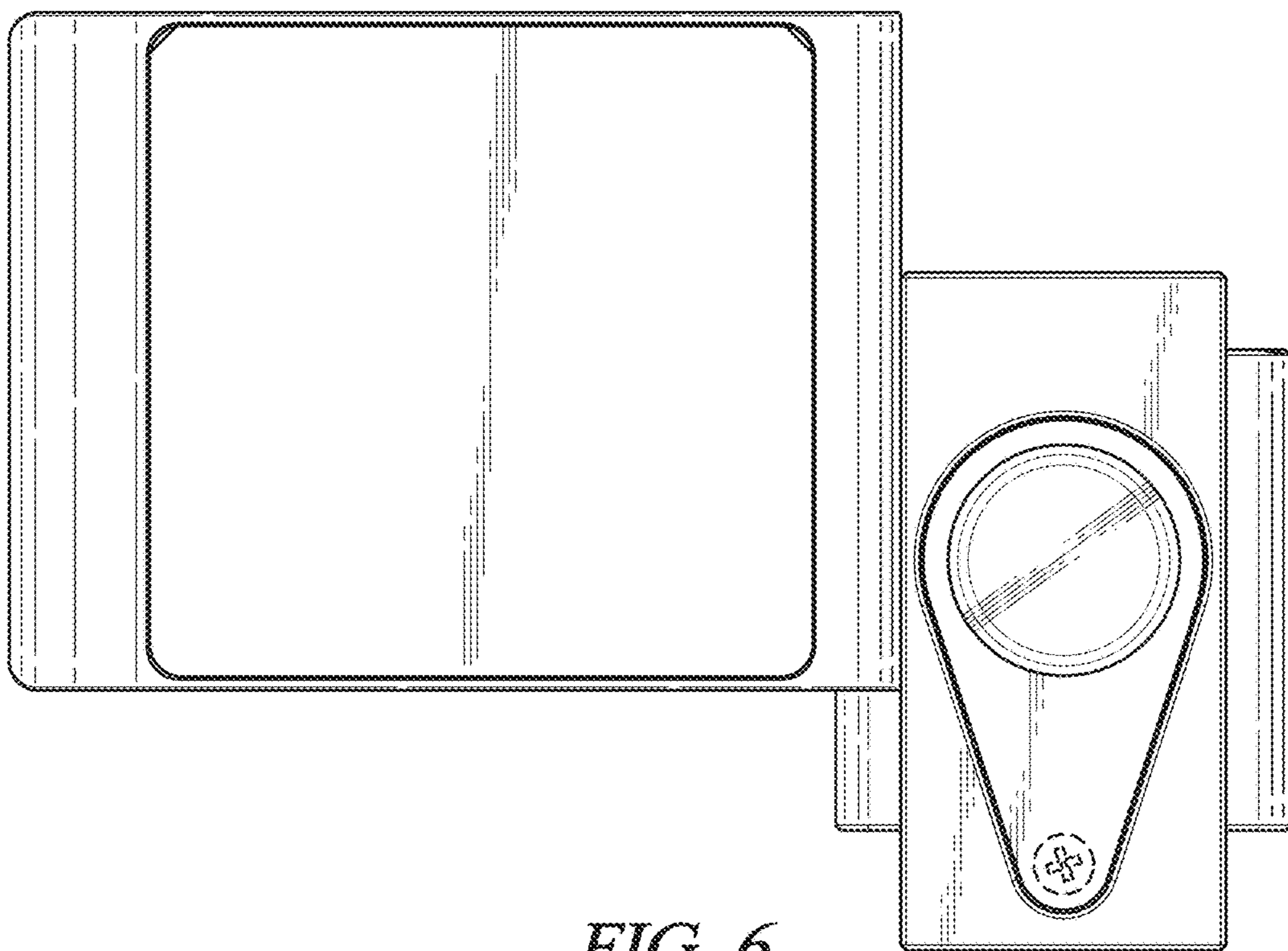
*FIG. 3*



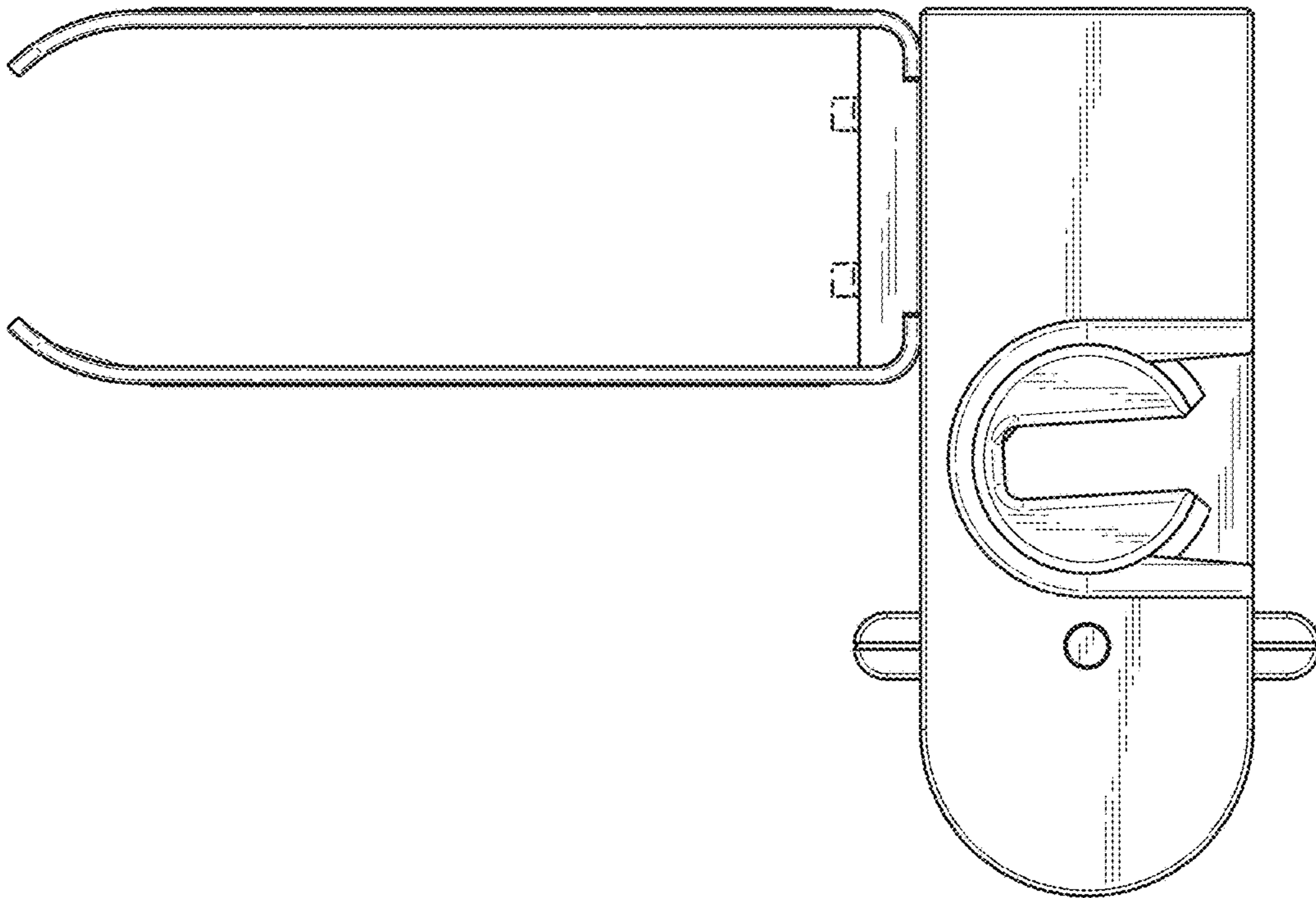
*FIG. 4*



*FIG. 5*

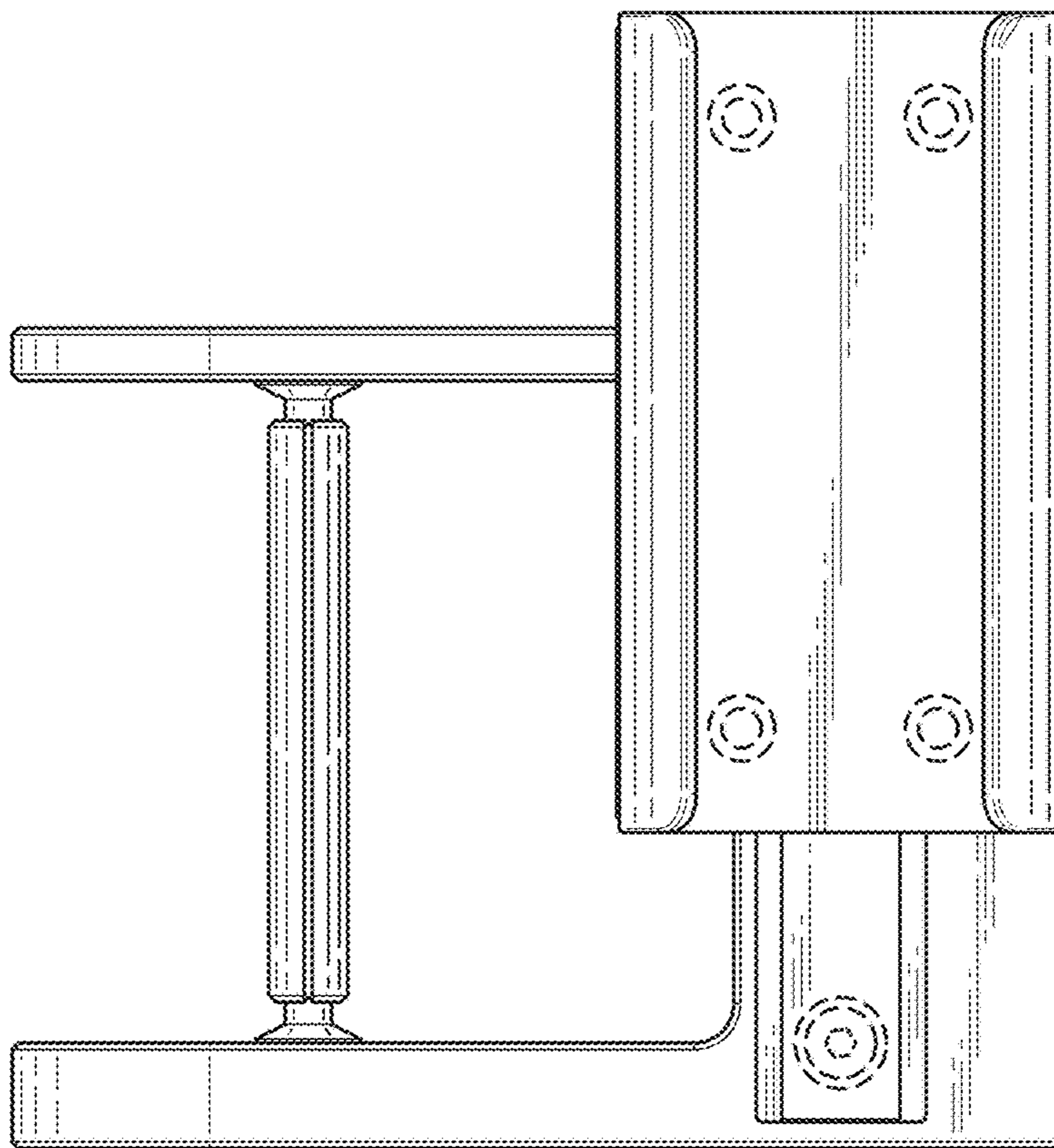


*FIG. 6*

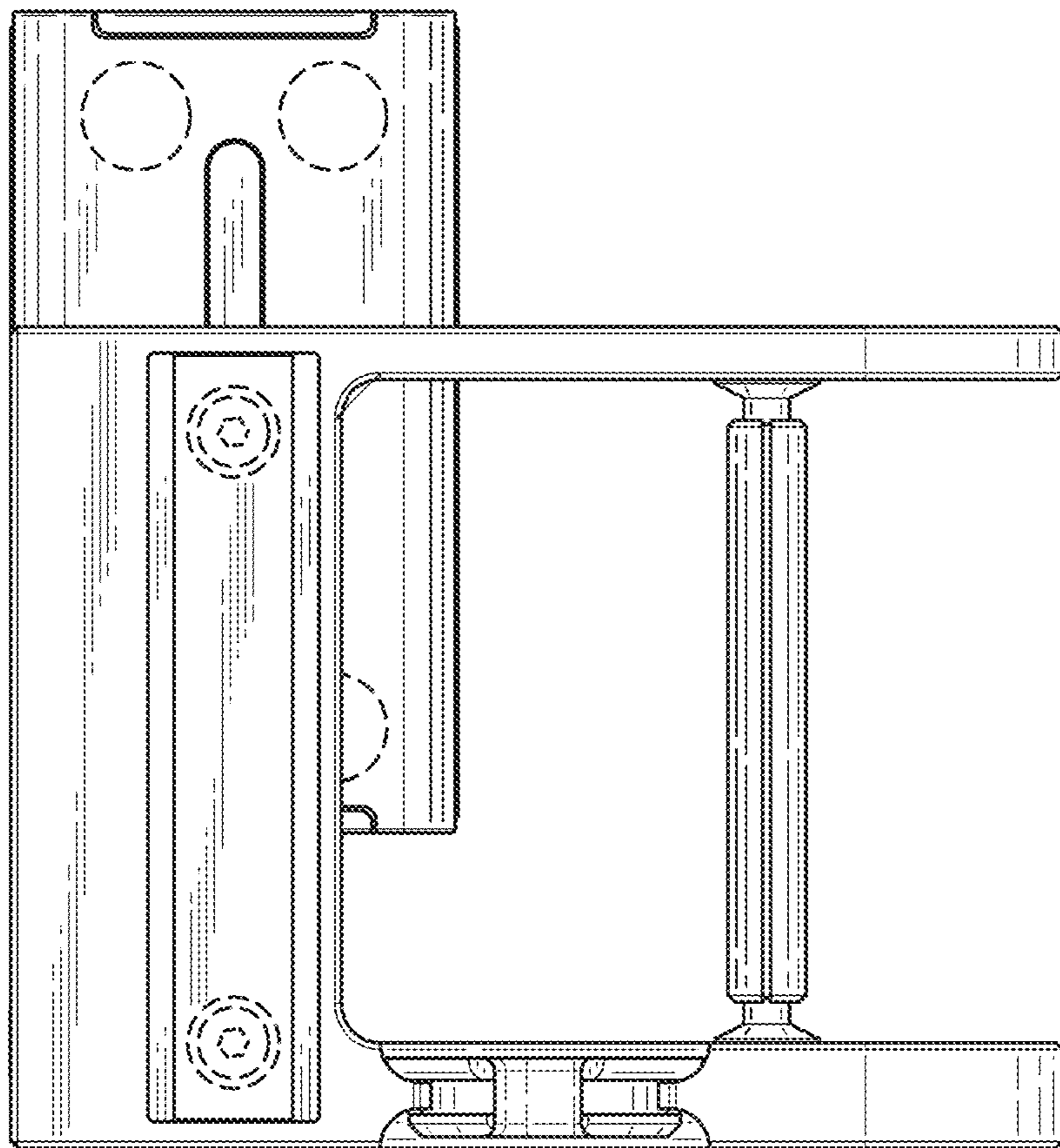


*FIG. 7*

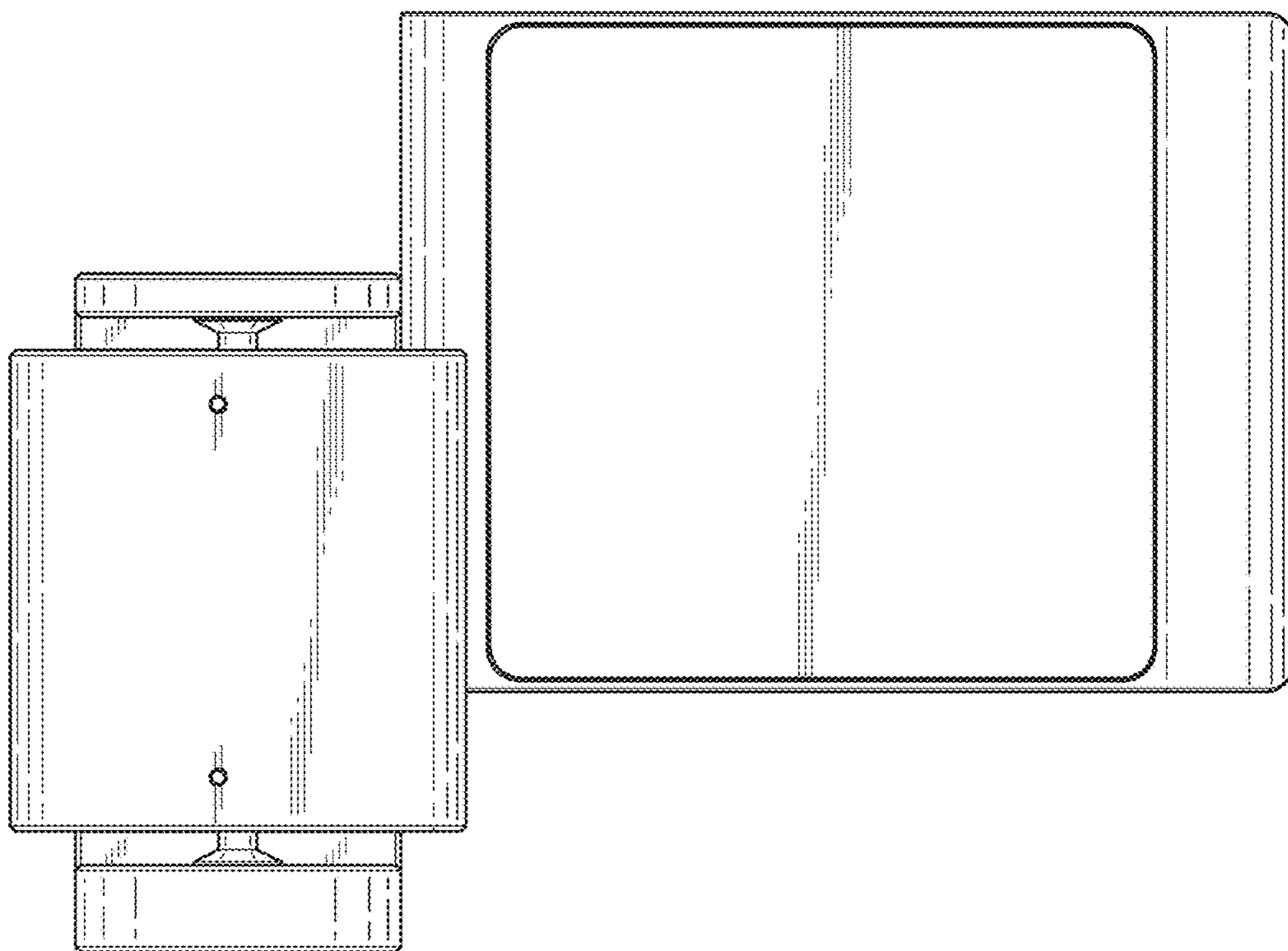




*FIG. 8*



*FIG. 9*



*FIG. 10*

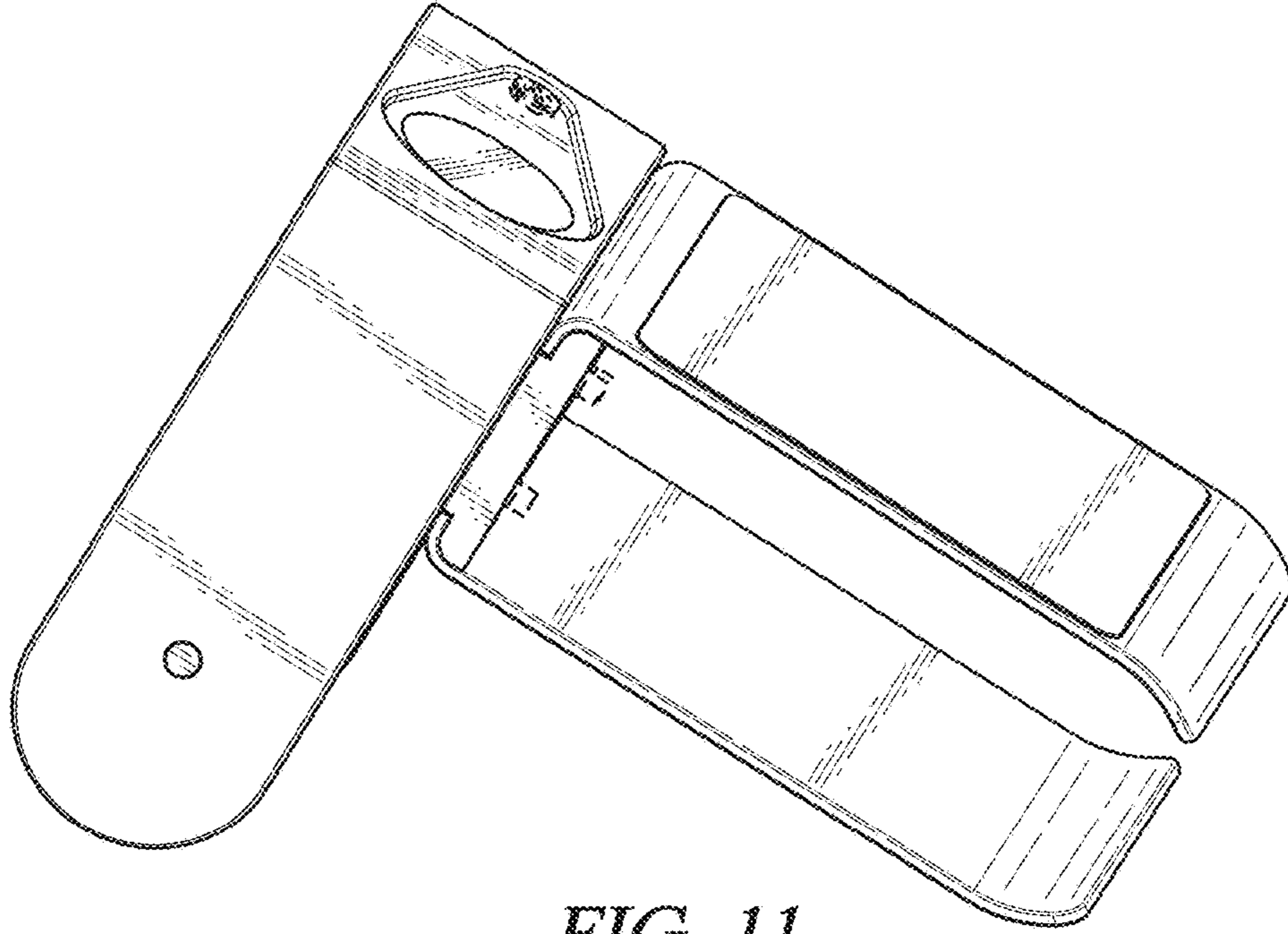


FIG. 11

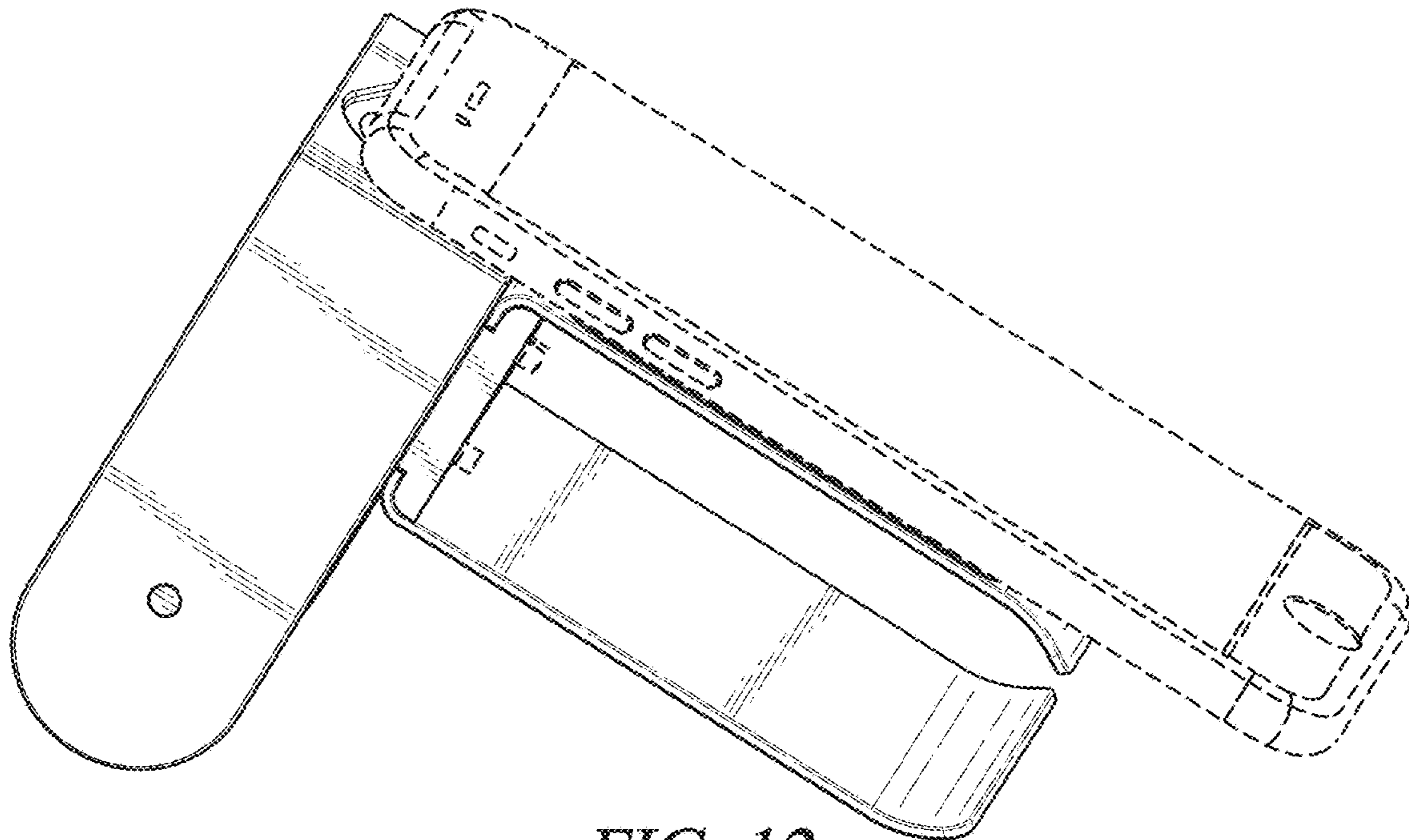


FIG. 12