



US00D795321S

(12) **United States Design Patent** (10) **Patent No.:** **US D795,321 S**
Liu (45) **Date of Patent:** **** Aug. 22, 2017**

(54) **ENTERTAINMENT ROBOT**
(71) Applicant: **UBTECH ROBOTICS CORP.**,
Shenzhen, Guangdong Province (CN)
(72) Inventor: **Lefeng Liu**, Shenzhen (CN)
(73) Assignee: **UBTECH ROBOTICS CORP.**,
Shenzhen, Guangdong Province (CN)
(**) Term: **15 Years**
(21) Appl. No.: **29/584,746**
(22) Filed: **Nov. 16, 2016**

D541,353 S * 4/2007 Takahashi D21/578
D550,735 S * 9/2007 Takahashi D15/199
D574,404 S * 8/2008 Maisonnier D15/199
D677,743 S * 3/2013 Koshiishi D15/199
D696,324 S * 12/2013 Takahashi D15/199
D712,983 S * 9/2014 Gan D15/199
D715,380 S * 10/2014 Ito A63H 3/00
D21/578
8,892,257 B2 * 11/2014 Roh B25J 13/085
700/258
D719,620 S * 12/2014 Clerc B25J 5/007
D15/199
9,327,400 B2 * 5/2016 Serre B25J 9/161
9,334,002 B2 * 5/2016 Seo B62D 57/032
9,346,175 B2 * 5/2016 Krumbacher B25J 18/06
D774,148 S * 12/2016 Hong D21/578
2009/0149992 A1 * 6/2009 Ohno B25J 9/1664
700/253
2009/0321150 A1 * 12/2009 Kwon B25J 5/00
180/8.6

Related U.S. Application Data

(63) Continuation-in-part of application No. 29/547,648,
filed on Dec. 7, 2015.
(51) **LOC (10) Cl.** **15-99**
(52) **U.S. Cl.**
USPC **D15/199**
(58) **Field of Classification Search**
USPC D15/199; D21/578-583, 621, 622
CPC . B25J 9/044; B25J 9/102; B25J 9/0078; B25J
15/0033; B25J 15/0038; B25J 15/0253;
B25J 18/00; B66C 1/42; G01N 35/0099;
G01N 2035/0405; Y10S 901/31
See application file for complete search history.

* cited by examiner

Primary Examiner — Patricia Palasik
(74) *Attorney, Agent, or Firm* — Cheng-Ju Chiang

(57) **CLAIM**

The ornamental design for an entertainment robot, as shown and described.

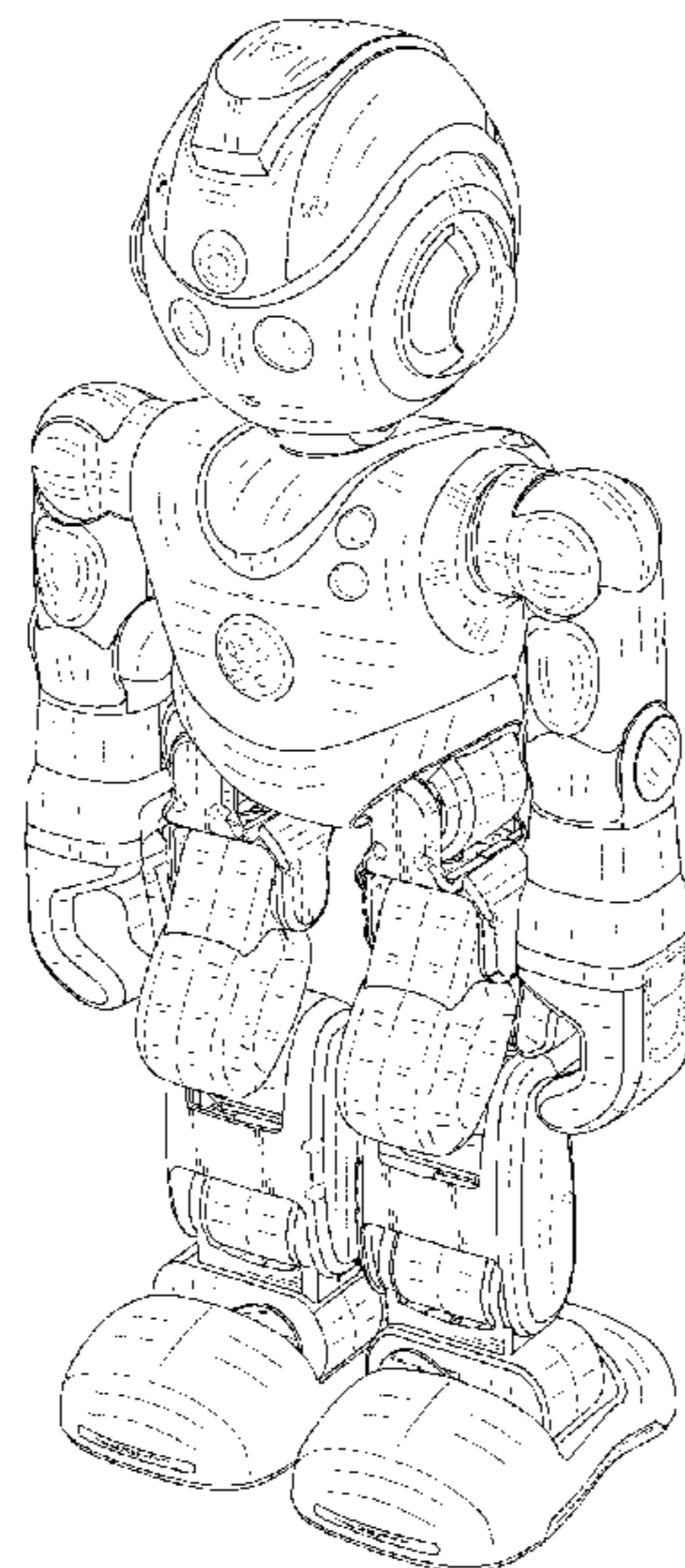
DESCRIPTION

FIG. 1 is a perspective view of an entertainment robot;
FIG. 2 is a front elevational view thereof;
FIG. 3 is a rear elevational view thereof;
FIG. 4 is a left side elevational view thereof;
FIG. 5 is a right side elevational view thereof;
FIG. 6 is a top plan view thereof; and,
FIG. 7 is a bottom plan view thereof.
The broken lines in the drawings depict unclaimed environmental subject matter.

1 Claim, 7 Drawing Sheets

(56) **References Cited**
U.S. PATENT DOCUMENTS

D371,174 S * 6/1996 Tsai D21/578
D453,199 S * 1/2002 Sawai D21/578
D453,361 S * 2/2002 Tsai D21/578
D460,131 S * 7/2002 Koshiishi D21/578
D460,503 S * 7/2002 Koshiishi D21/578
D534,971 S * 1/2007 Chung D21/578
D536,010 S * 1/2007 Takahashi D15/199



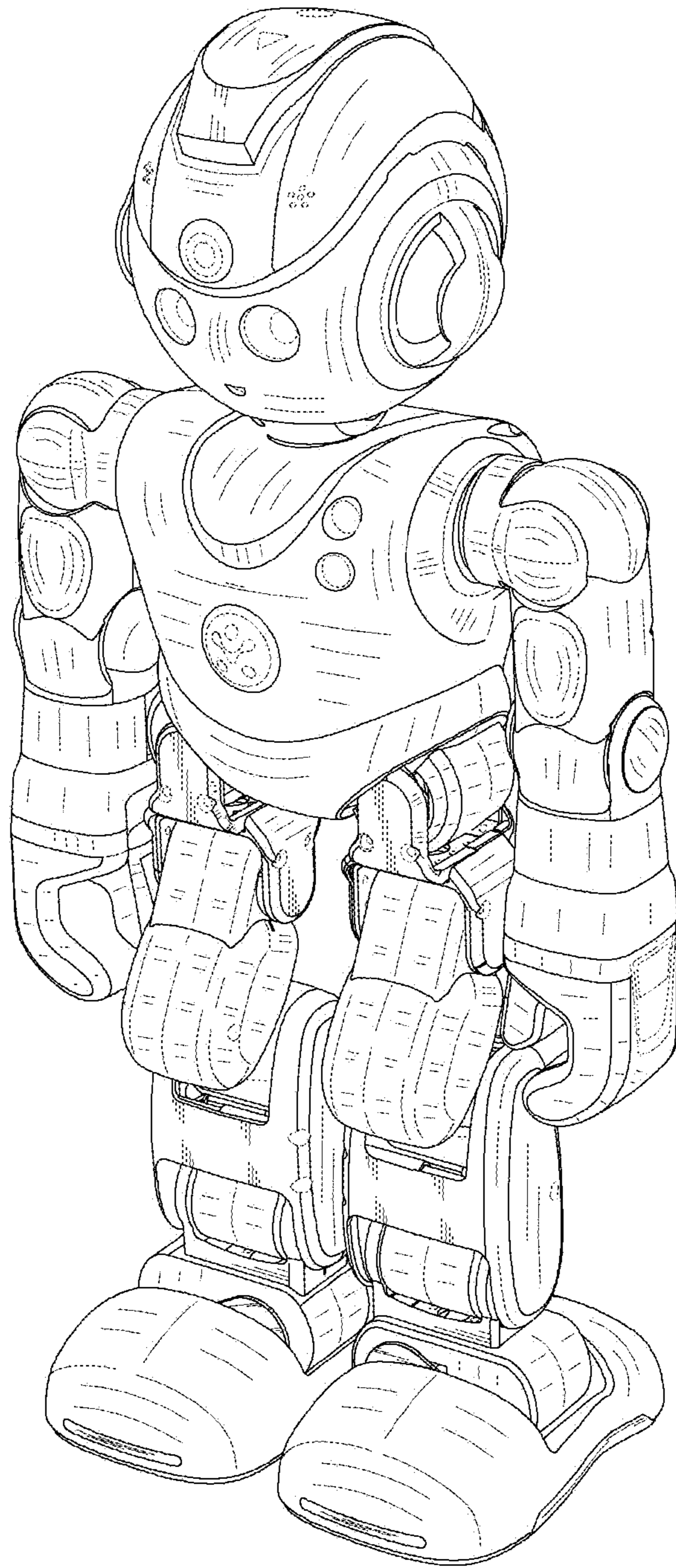


FIG.1

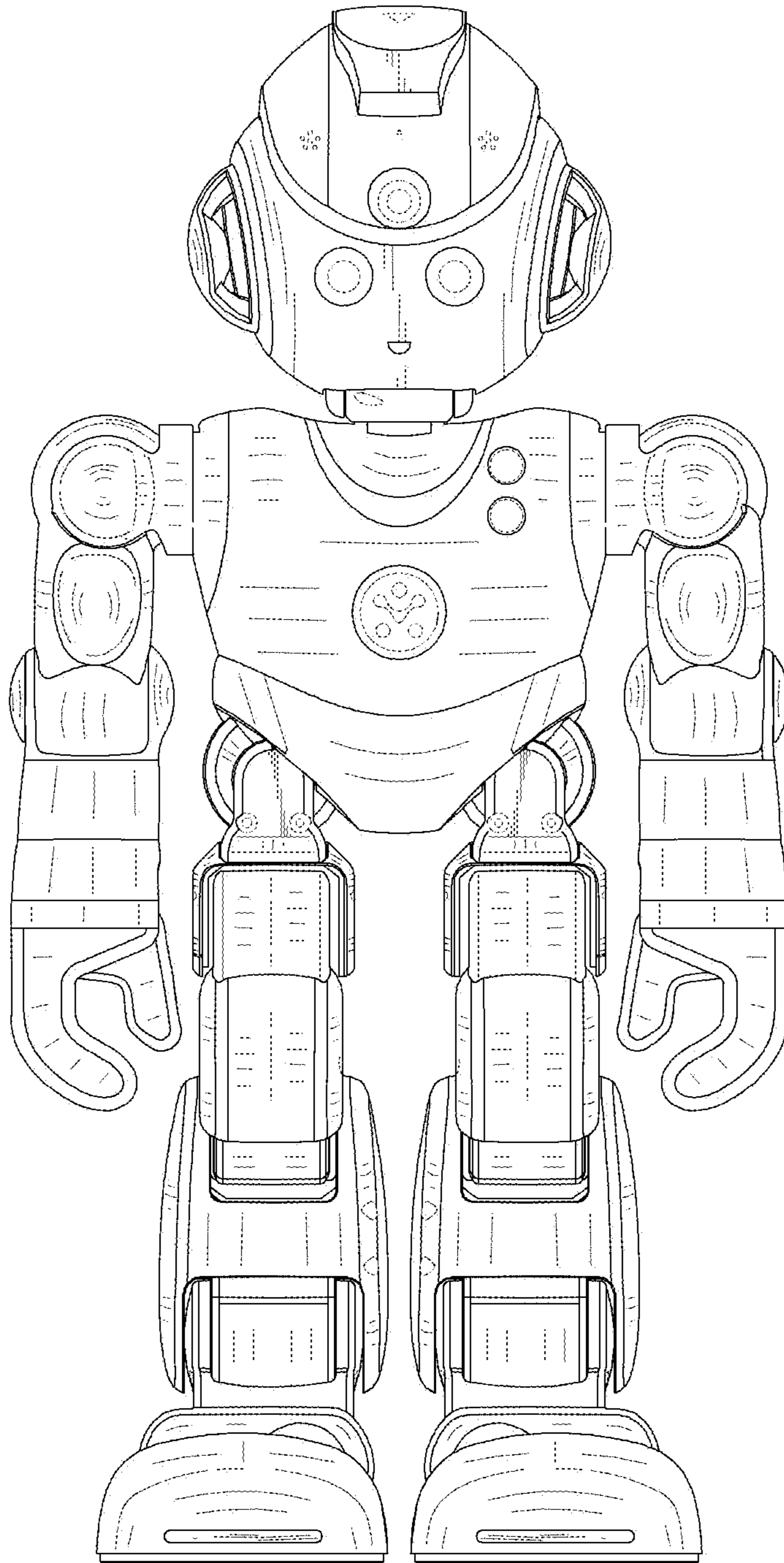


FIG.2

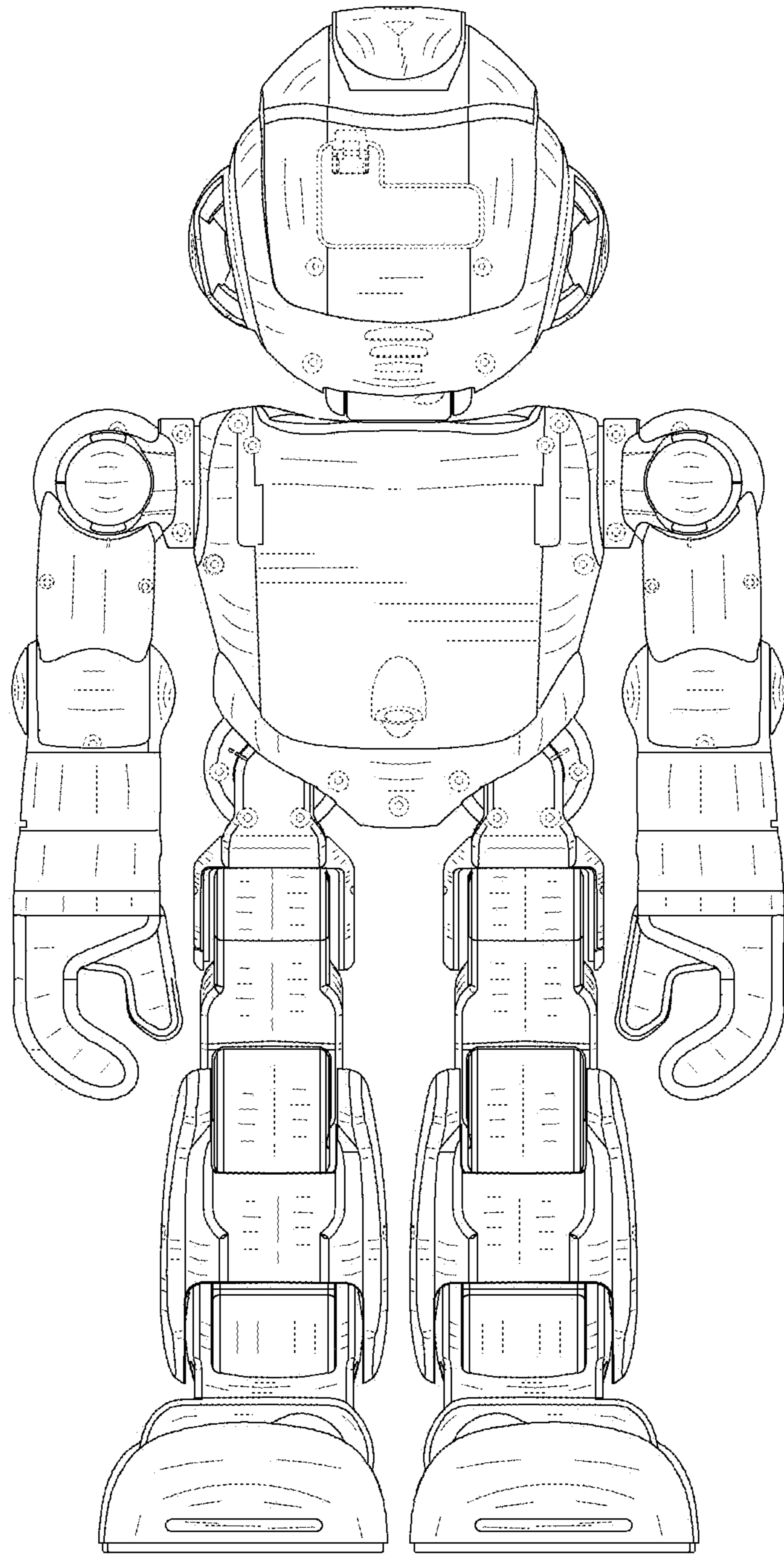


FIG.3

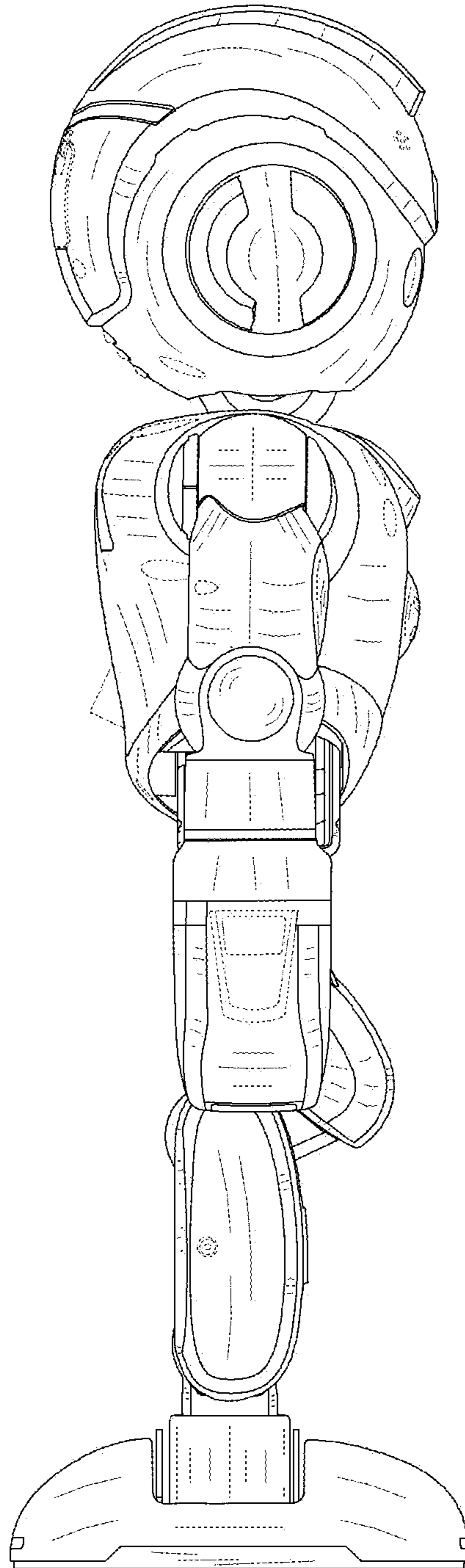


FIG.4

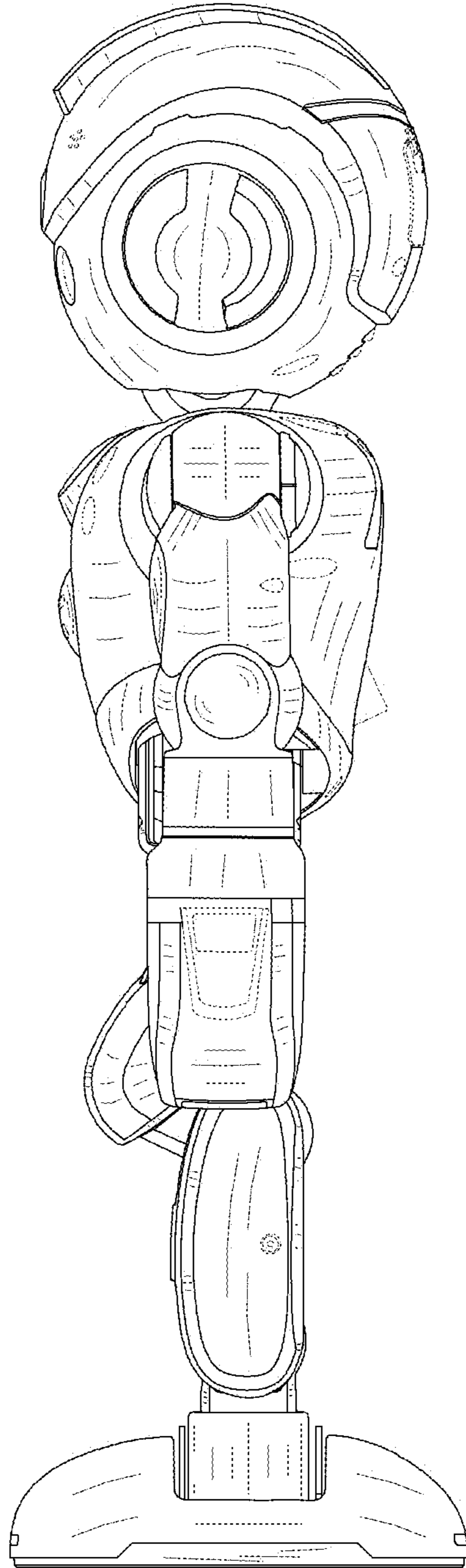


FIG.5

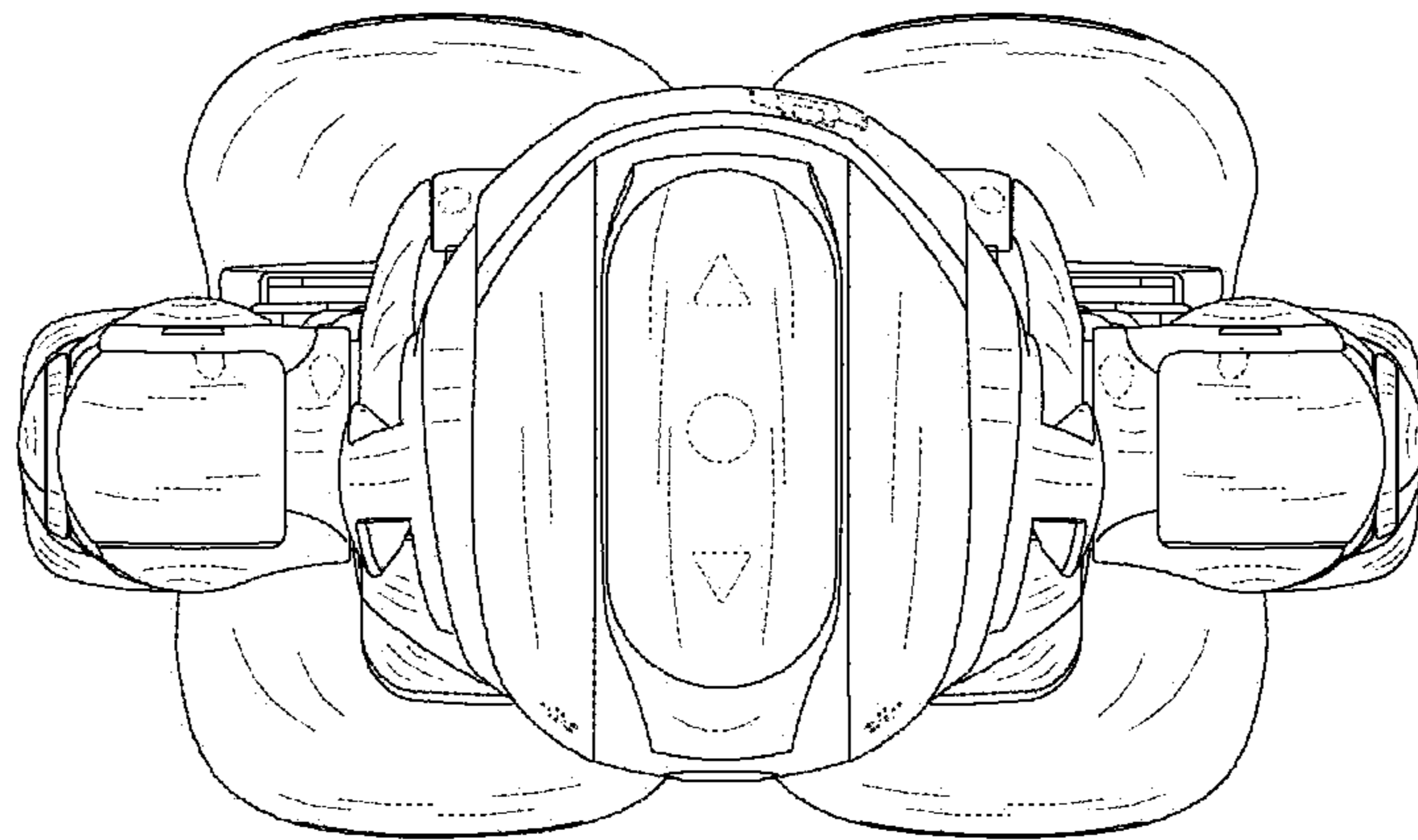


FIG.6

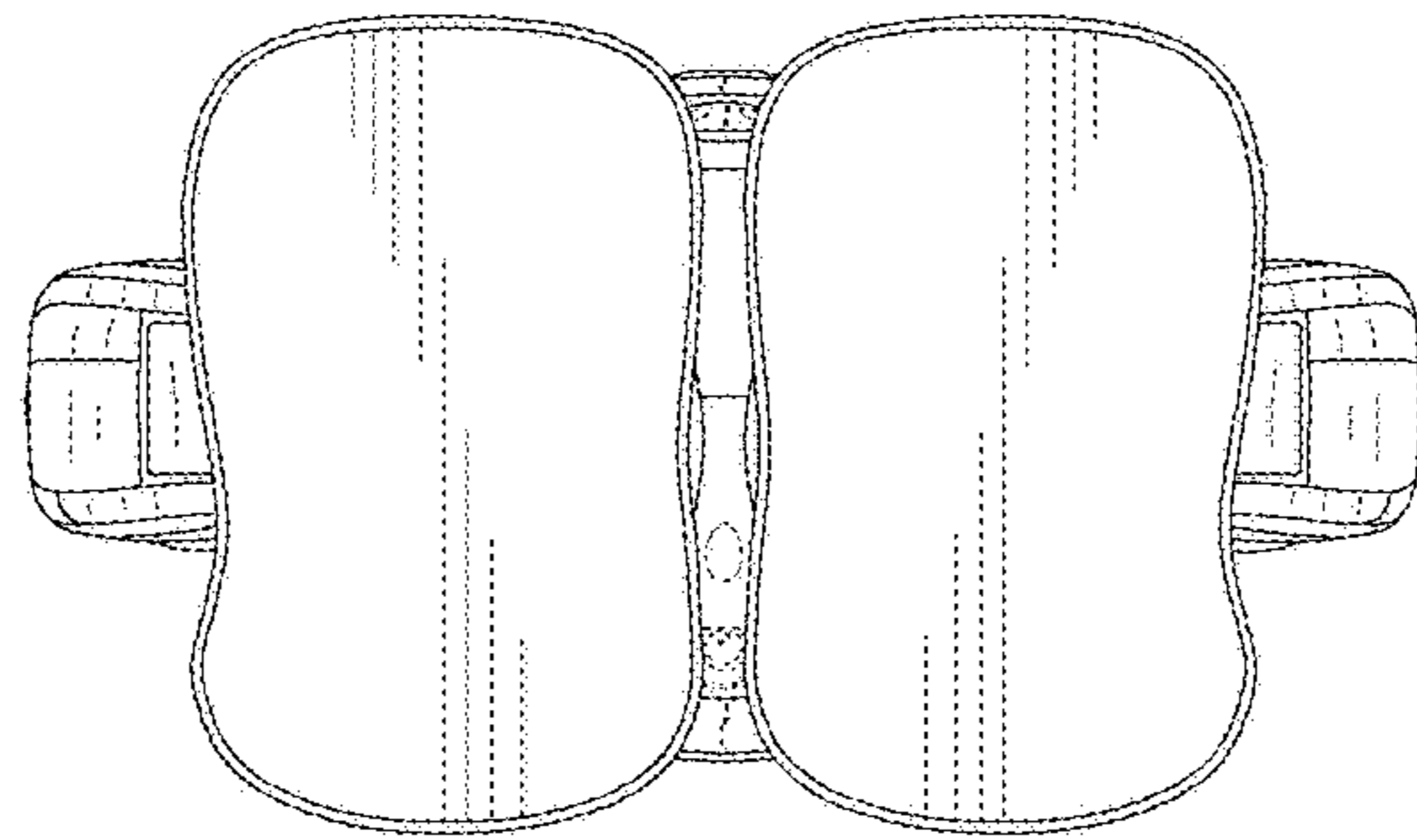


FIG. 7