



US00D795320S

(12) **United States Design Patent** (10) **Patent No.:** **US D795,320 S**  
**Liu** (45) **Date of Patent:** **\*\* Aug. 22, 2017**

(54) <b>ENTERTAINMENT ROBOT</b>	D574,404 S * 8/2008 Maisonnier ..... D15/199
	D677,743 S * 3/2013 Koshiishi ..... D15/199
(71) Applicant: <b>UBTECH ROBOTICS CORP.,</b> Shenzhen, Guangdong Province (CN)	D696,324 S * 12/2013 Takahashi ..... D15/199
	D712,983 S * 9/2014 Gan ..... D15/199
	D715,380 S * 10/2014 Ito ..... A63H 3/00
	D21/578
(72) Inventor: <b>Lefeng Liu, Shenzhen (CN)</b>	8,892,257 B2 * 11/2014 Roh ..... B25J 13/085
	700/258
(73) Assignee: <b>UBTECH ROBOTICS CORP.,</b> Shenzhen, Guangdong Province (CN)	D719,620 S * 12/2014 Clerc ..... B25J 5/007
	D15/199
(**) Term: <b>15 Years</b>	9,327,400 B2 * 5/2016 Serre ..... B25J 9/161
	9,334,002 B2 * 5/2016 Seo ..... B62D 57/032
	9,346,175 B2 * 5/2016 Krumbacher ..... B25J 18/06
(21) Appl. No.: <b>29/584,738</b>	D774,148 S * 12/2016 Hong ..... D21/578
	2009/0149992 A1 * 6/2009 Ohno ..... B25J 9/1664
	700/253
(22) Filed: <b>Nov. 16, 2016</b>	2009/0321150 A1 * 12/2009 Kwon ..... B25J 5/00
	180/8.6

**Related U.S. Application Data**

(63) Continuation-in-part of application No. 29/547,647, filed on Dec. 7, 2015.

(51) **LOC (10) Cl.** ..... **15-99**

(52) **U.S. Cl.**  
USPC ..... **D15/199**

(58) **Field of Classification Search**  
USPC ..... D15/199; D21/578-583, 621, 622  
CPC . B25J 9/044; B25J 9/102; B25J 9/0078; B25J 15/0033; B25J 15/0038; B25J 15/0253; B25J 18/00; B66C 1/42; G01N 35/0099; G01N 2035/0405; Y10S 901/31  
See application file for complete search history.

**FOREIGN PATENT DOCUMENTS**

CN 302560787 9/2013

\* cited by examiner

*Primary Examiner* — Patricia Palasik

(74) *Attorney, Agent, or Firm* — Cheng-Ju Chiang

(57) **CLAIM**

The ornamental design for an entertainment robot, as shown and described.

**DESCRIPTION**

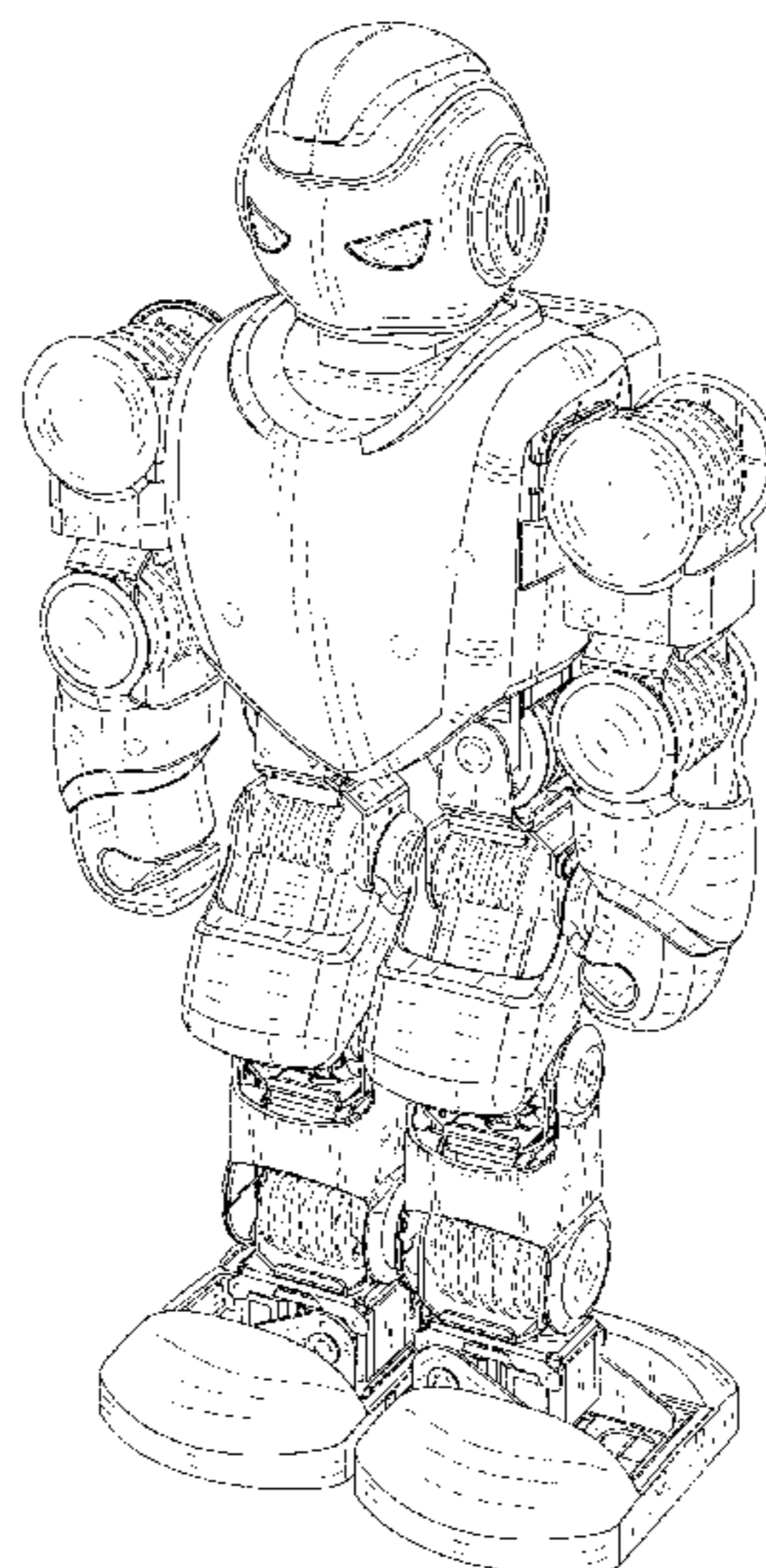
FIG. 1 is a perspective view of an entertainment robot; FIG. 2 is a front elevational view thereof; FIG. 3 is a rear elevational view thereof; FIG. 4 is a left side elevational view thereof; FIG. 5 is a right side elevational view thereof; FIG. 6 is a top plan view thereof; and, FIG. 7 is a bottom plan view thereof. The broken lines in the drawings depict unclaimed environmental subject matter.

**1 Claim, 7 Drawing Sheets**

(56) **References Cited**

**U.S. PATENT DOCUMENTS**

D371,174 S * 6/1996 Tsai ..... D21/578
D453,199 S * 1/2002 Sawai ..... D21/578
D453,361 S * 2/2002 Tsai ..... D21/578
D460,131 S * 7/2002 Koshiishi ..... D21/578
D460,503 S * 7/2002 Koshiishi ..... D21/578
D534,971 S * 1/2007 Chung ..... D21/578
D536,010 S * 1/2007 Takahashi ..... D15/199
D541,353 S * 4/2007 Takahashi ..... D21/578
D550,735 S * 9/2007 Takahashi ..... D15/199



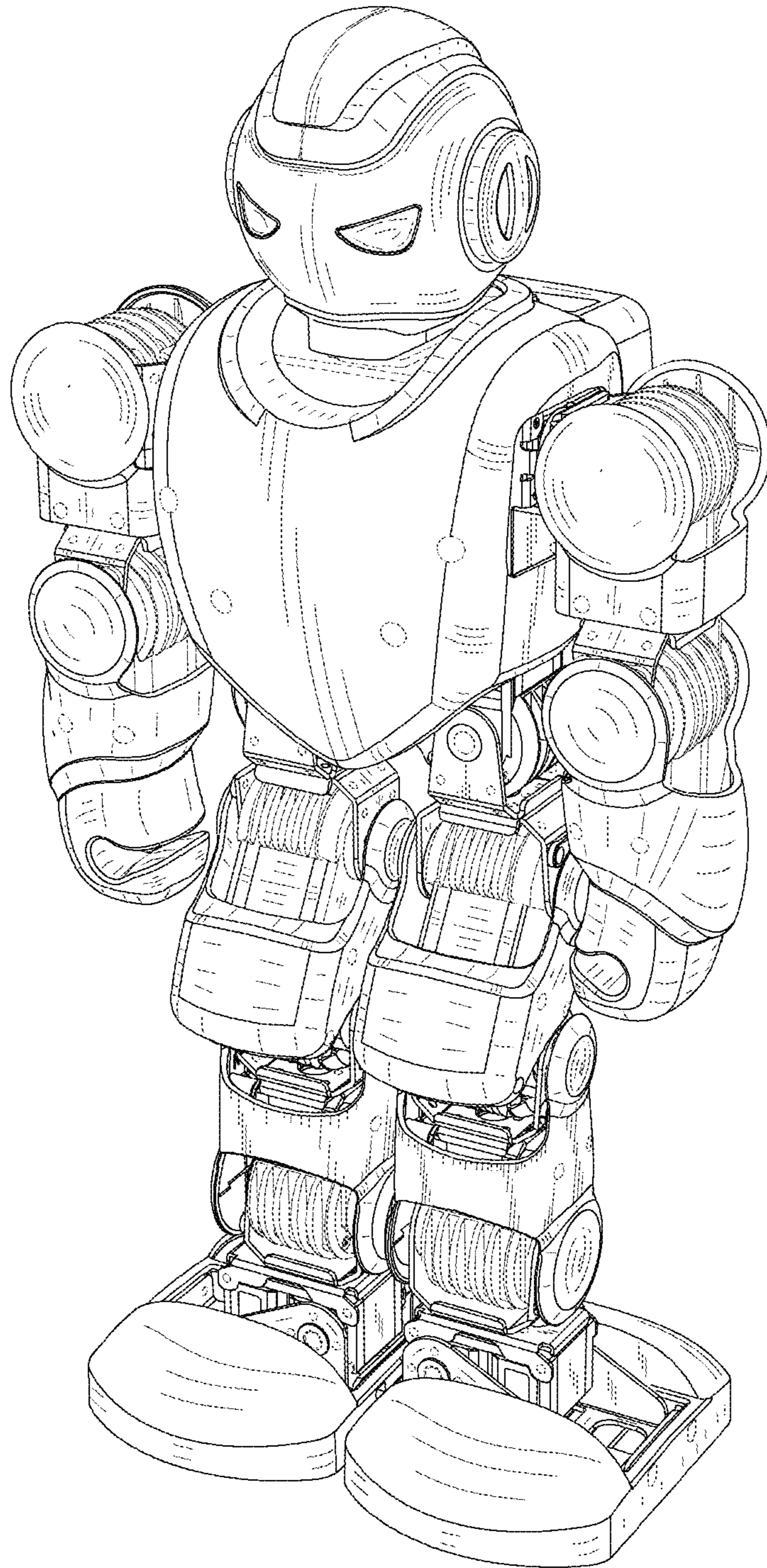


FIG. 1

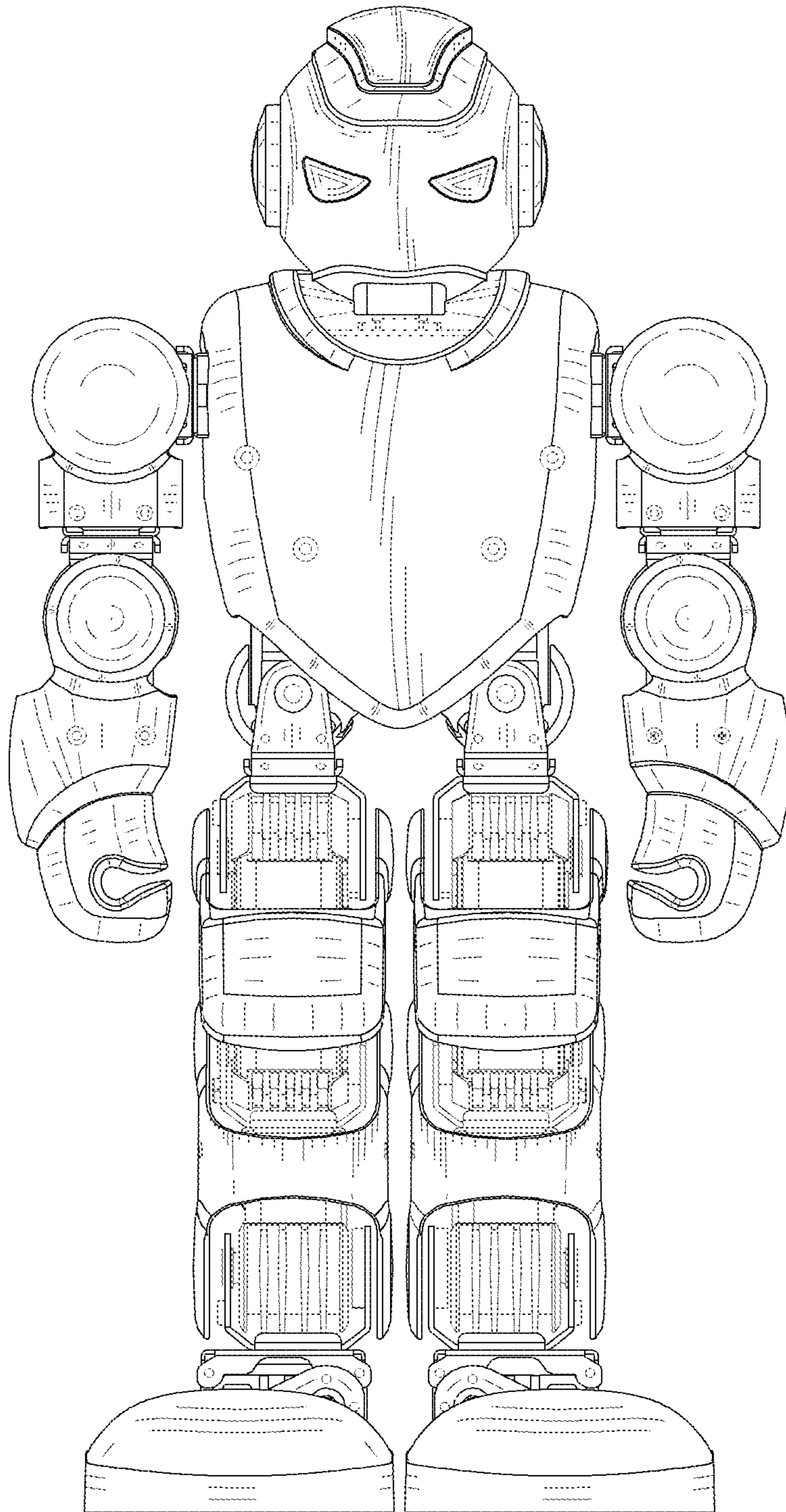


FIG.2

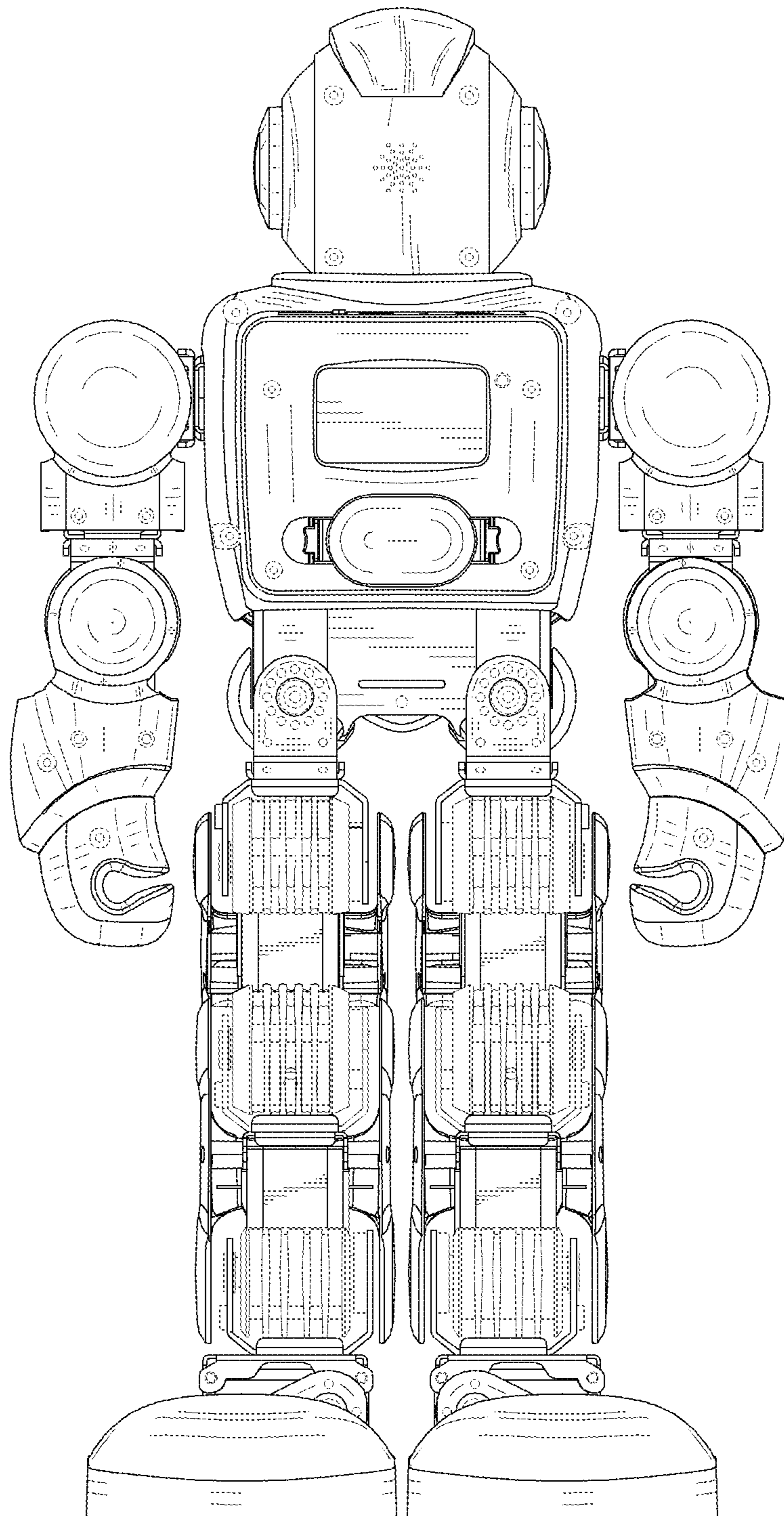


FIG.3

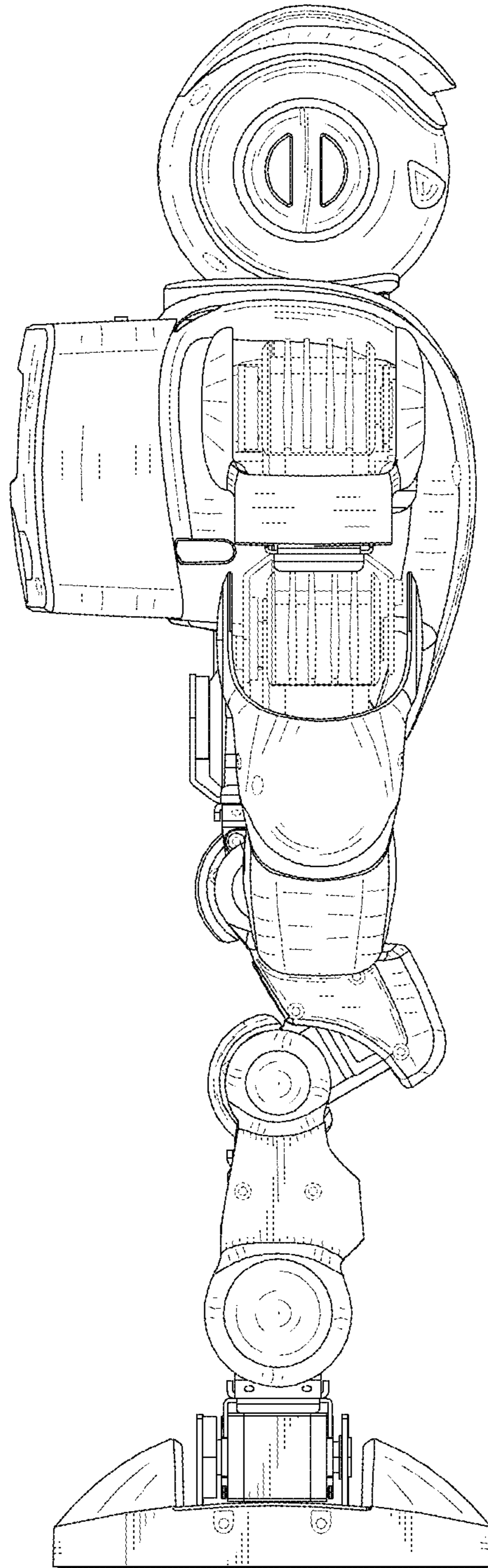


FIG.4

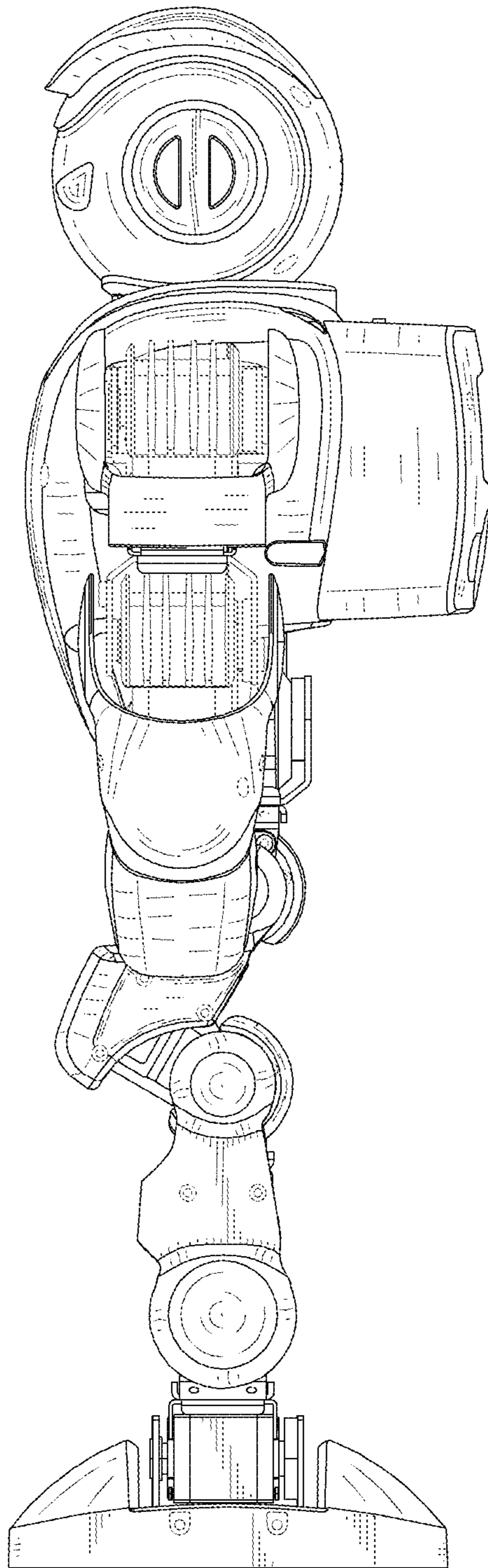


FIG.5

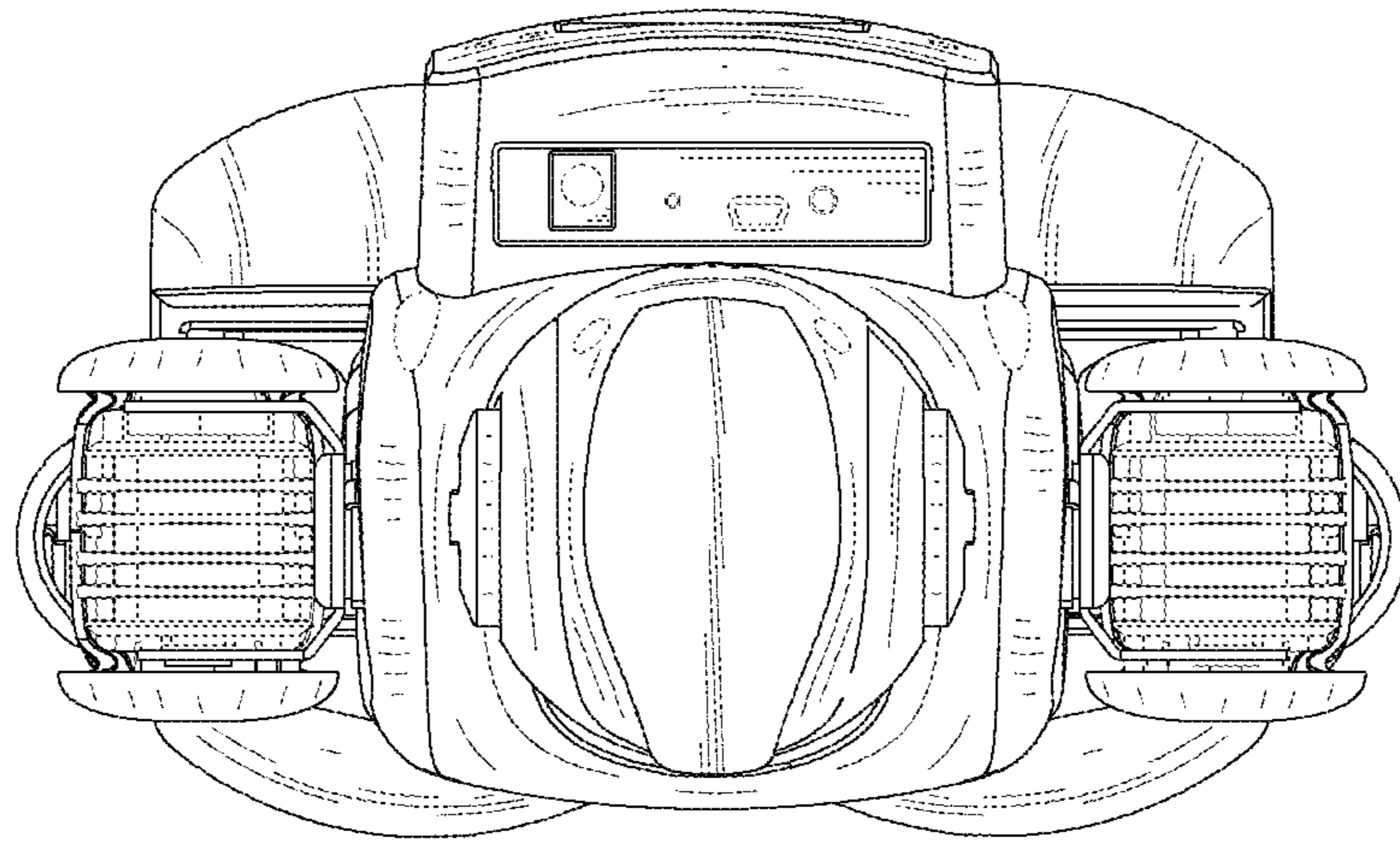


FIG.6

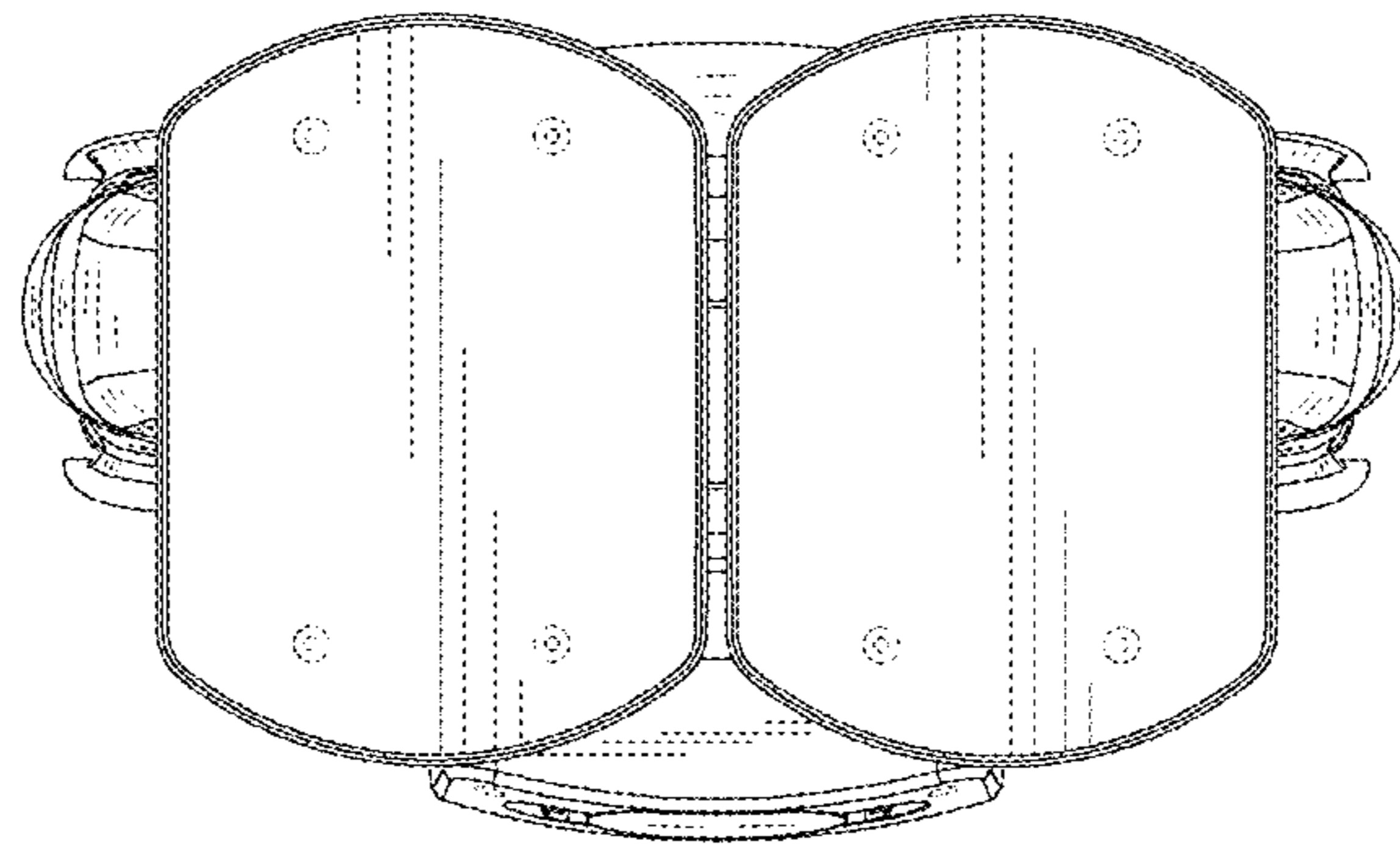


FIG.7