



US00D795317S

(12) **United States Design Patent** (10) **Patent No.:** **US D795,317 S**
Wenning et al. (45) **Date of Patent:** **** Aug. 22, 2017**

(54) **DUST COLLECTOR PORT**

- (71) Applicant: **Rockler Companies, Inc.**, Medina, MN (US)
- (72) Inventors: **Daniel Lloyd Wenning**, Minnetonka, MN (US); **Jonathan Barth**, Minneapolis, MN (US); **Brad Becker**, Buffalo, MN (US)
- (73) Assignee: **Rockler Companies, Inc.**, Medina, MN (US)

(**) Term: **15 Years**

(21) Appl. No.: **29/552,122**

(22) Filed: **Jan. 20, 2016**

(51) **LOC (10) Cl.** **15-05**

(52) **U.S. Cl.**
USPC **D15/138; D32/32**

(58) **Field of Classification Search**
USPC D8/396; D32/31-33, 40, 50-51, 35; D15/126, 138, 141

CPC F16M 13/02; A24F 19/092; F16L 27/12; A47L 9/242; A47L 9/02; A47L 5/362; A47L 5/28; A47L 5/34; A47L 5/30; A47G 25/66; E04H 4/1654; B24B 55/06; B23Q 11/0046

See application file for complete search history.

(56) **References Cited**

U.S. PATENT DOCUMENTS

- 5,624,305 A * 4/1997 Brown B24B 55/06 16/337
- 7,044,843 B1 * 5/2006 Lin B24B 55/06 451/178
- D573,615 S * 7/2008 McDaniel D15/138
- 7,455,089 B2 * 11/2008 McDaniel B27C 5/10 144/144.1
- D604,828 S * 11/2009 Krohmer D32/31
- D606,716 S * 12/2009 Crevling, Jr. D32/32

(Continued)

OTHER PUBLICATIONS

Rockler—Threaded Quick Coupler, Item #63577, obtained from <<http://www.rockler.com/threaded-quick-coupler>>, printed Jun. 9, 2015—publicly available prior to Jan. 20, 2015 (5 pages).

(Continued)

Primary Examiner — Ruth McInroy

(74) *Attorney, Agent, or Firm* — James L. Young; Westman, Champlin & Koehler, P.A.

(57) **CLAIM**

The ornamental design for a dust collector port, as shown and described.

DESCRIPTION

FIG. 1 is a front perspective view of a dust collector port showing our new design, the dust collection support fixtures and hose are shown in broken lines;

FIG. 2 is a front perspective view thereof without the unclaimed structure;

FIG. 3 is a left side view thereof;

FIG. 4 is a right side view thereof;

FIG. 5 is a front view thereof;

FIG. 6 is a rear view thereof;

FIG. 7 is a top view thereof;

FIG. 8 is a bottom view thereof;

FIG. 9 is a front perspective view of a second embodiment thereof;

FIG. 10 is a left side view of FIG. 9;

FIG. 11 is a right side view of FIG. 9;

FIG. 12 is a front view of FIG. 9;

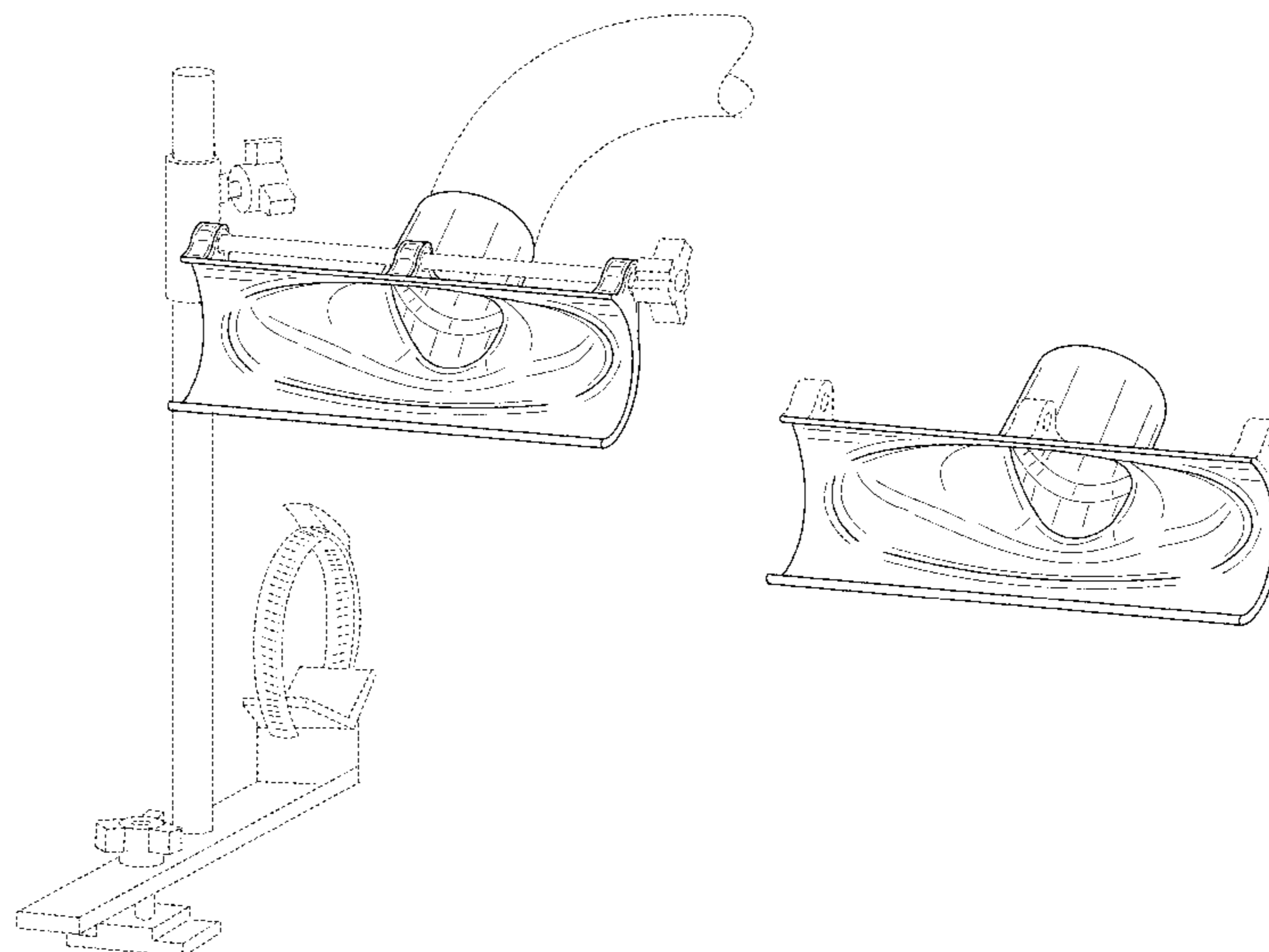
FIG. 13 is a rear view of FIG. 9;

FIG. 14 is a top view of FIG. 9; and,

FIG. 15 is a bottom view of FIG. 9.

The dashed lines form no part of the claimed design. The dot-dash lines represent boundary lines that form no part of the claimed design.

1 Claim, 9 Drawing Sheets



(56)

References Cited

U.S. PATENT DOCUMENTS

D614,678 S *	4/2010	Jorgensen	D15/138
7,896,041 B2 *	3/2011	Becker	B23Q 11/0046 144/252.2
D677,029 S *	2/2013	Cleary	D32/31
D730,417 S *	5/2015	McCarty	D15/138
2006/0042440 A1 *	3/2006	Quinlan	B23D 59/006 83/100
2009/0181606 A1 *	7/2009	Loveless	B23Q 11/0046 451/456
2010/0186852 A1 *	7/2010	Shepherd	B23Q 11/0046 144/252.1

OTHER PUBLICATIONS

Rockler—2½" Screw End Hose Adapter, Item #42255, obtained from <http://www.rockler.com/2-1-2-screw-end-hose-adapter>, printed Jun. 9, 2015—publicly available prior to Jan. 20, 2015 (5 pages).

Woodworker's Supply—Threaded Quick Disconnects Eliminate the Need for Clamps, Catalog No. 158-081, obtained from <http://woodworker.com/4-threaded-quick-disconnect-mssu-158-081.asp>

printed Jun. 9, 2015—publicly available prior to Jan. 20, 2015 (2 pages).

Woodcraft—4" Quick Disconnect Hose to 4" O.D. Dust Collection Fitting, Item #140259, obtained from <http://www.woodcraft.com/product/140259/4-Quick-Disconnect-Hose-to-4-OD-Dust-Collection-Fitting.aspx>, printed Jun. 2, 2015—publicly available prior to Jan. 20, 2015 (2 pages).

Peachtree Woodworking Supply Inc., "Dust Collection Fittings—Reducers," obtained from http://www.ptreeusa.com/dustfittings_reducers.htm, printed Jun. 9, 2015, publicly available prior to Jan. 20, 2015 (6 pages).

Harbor Freight Tools—4 Inx2¼ In Hose Connector, Central—Machinery—Item #96547, obtained from <http://www.harborfreight.com/4-inch-x-2-1-4-quarter-inch-hose-connector-96457.html>, printed Jun. 9, 2015, publicly available prior to Jan. 20, 2015 (2 pages).

Rockler—4" Large Dust Hood, Item #26412, obtained from <http://www.rockler.com/tabletop-dust-fitting>, printed Mar. 25, 2016—publicly available prior to Jan. 20, 2015 (7 pages).

Rockler—Universal Dust Collection Port, Item #63508, obtained from <http://www.rockler.com/universal-dust-collection-port>, printed Mar. 25, 2016—publicly available prior to Jan. 20, 2015 (7 pages).

* cited by examiner

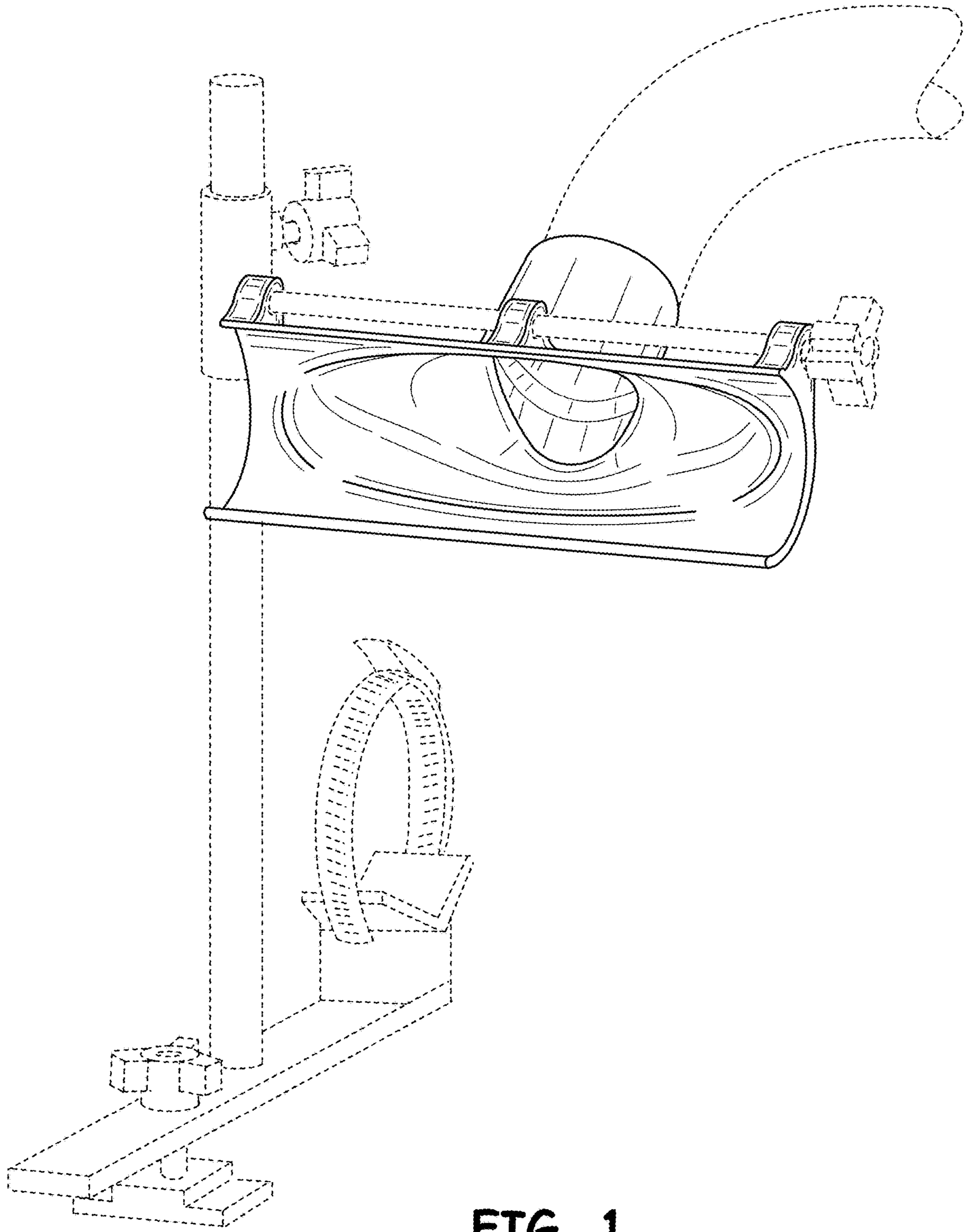


FIG. 1

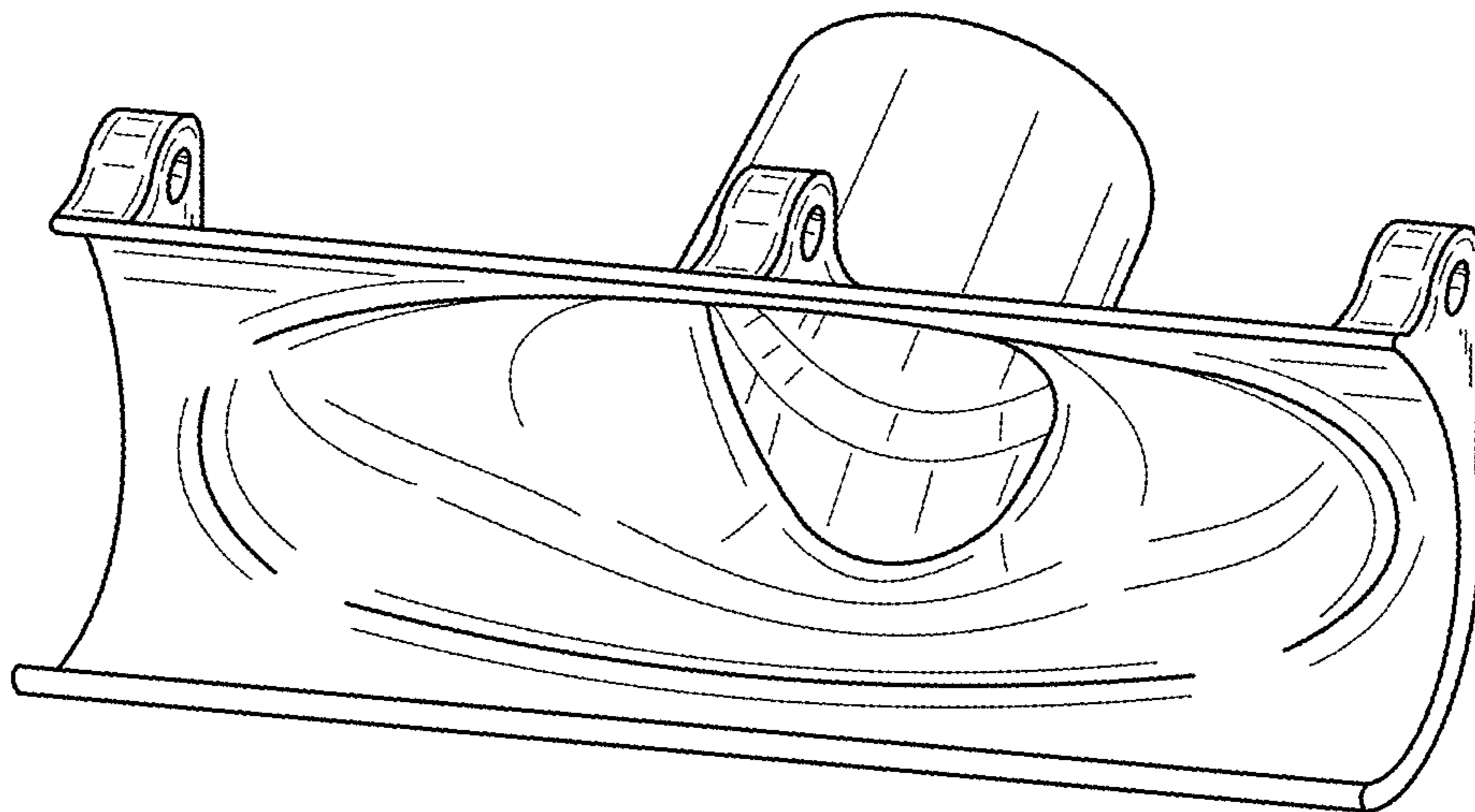


FIG. 2

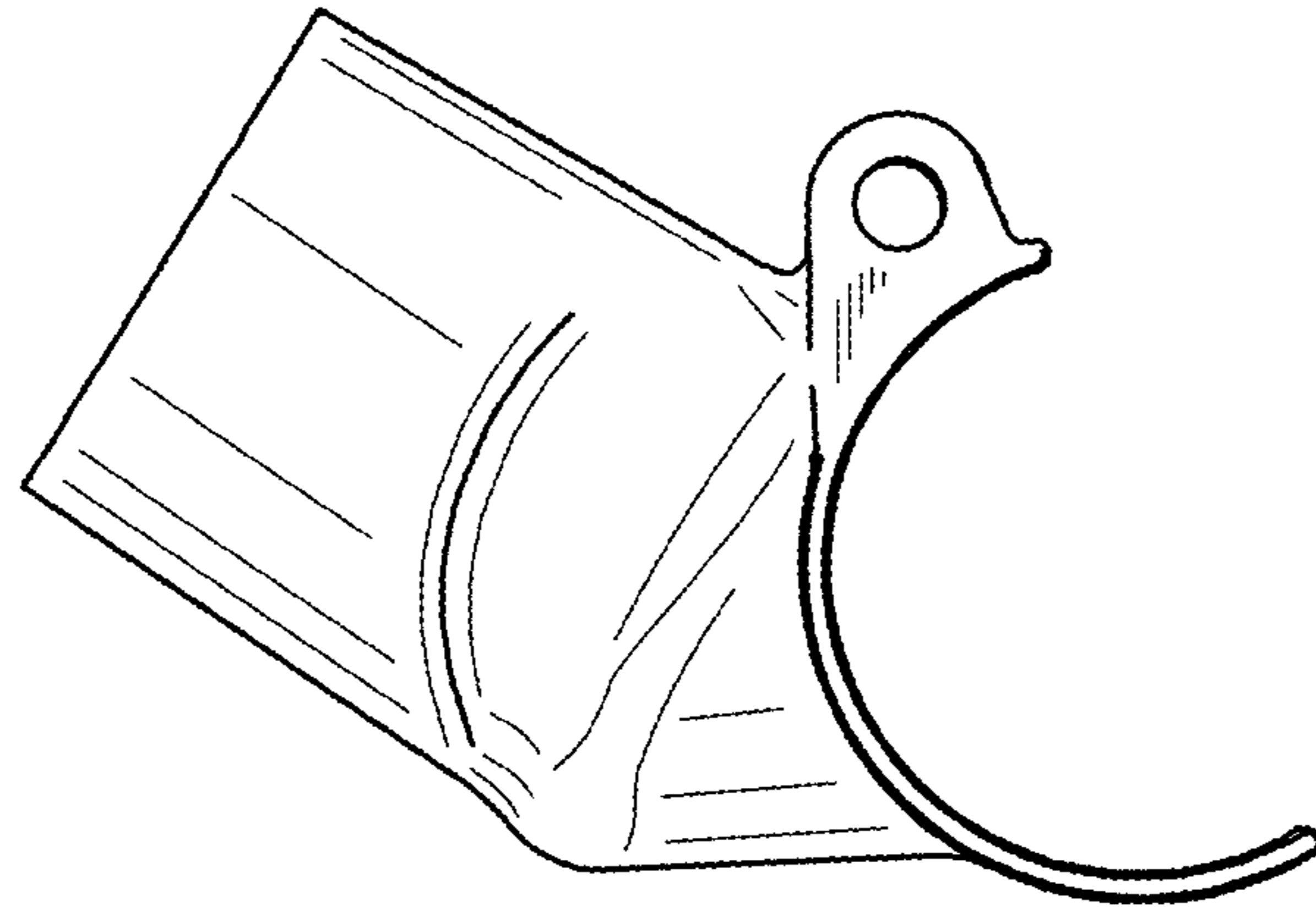


FIG. 3

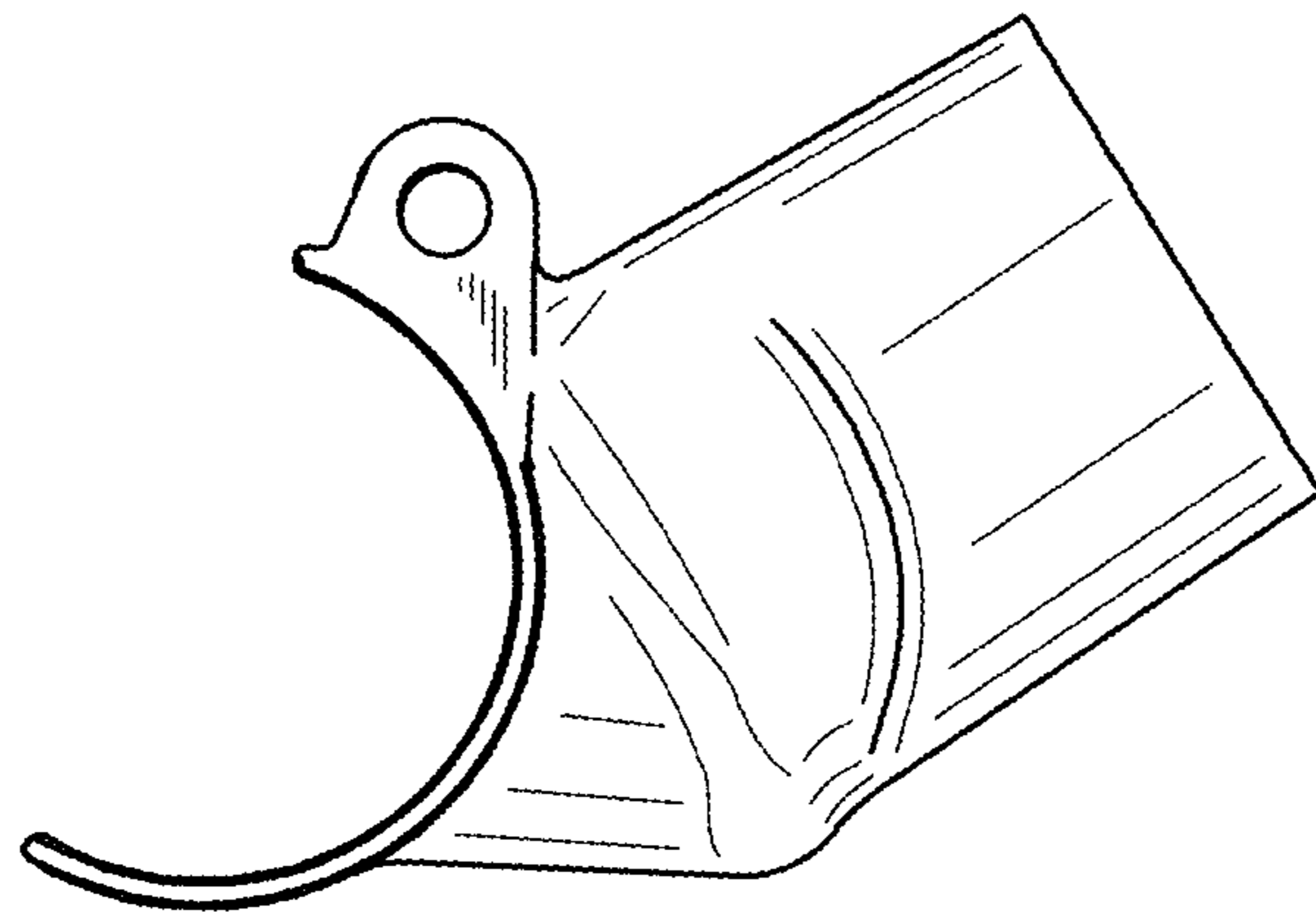


FIG. 4

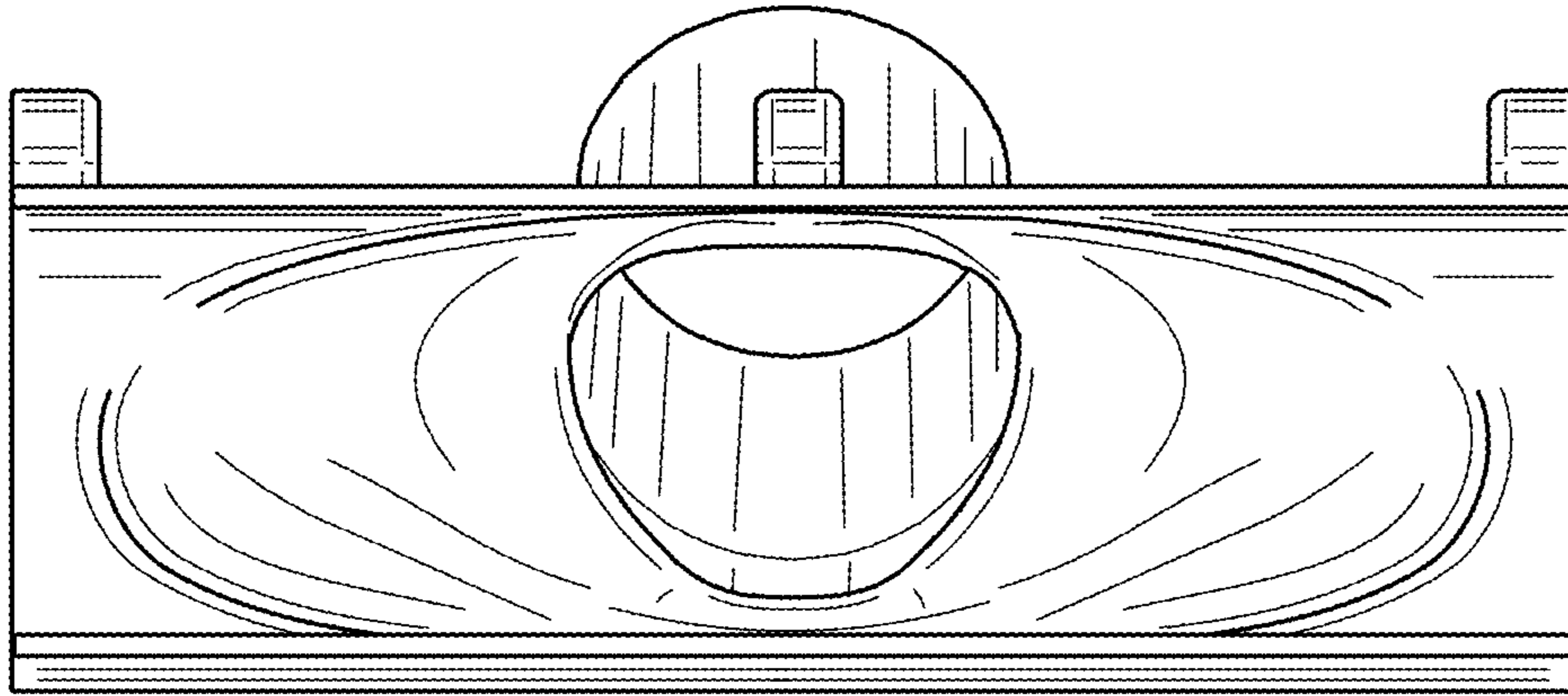


FIG. 5

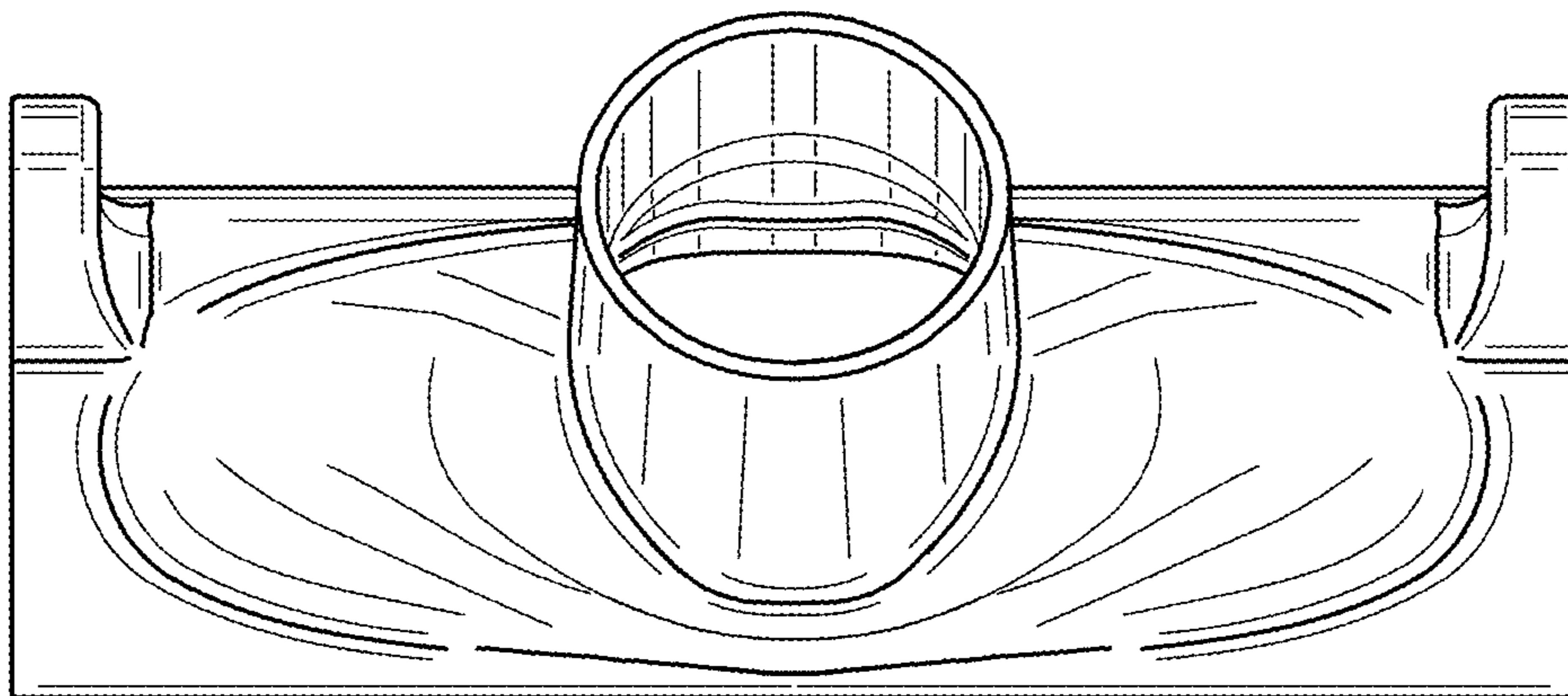


FIG. 6

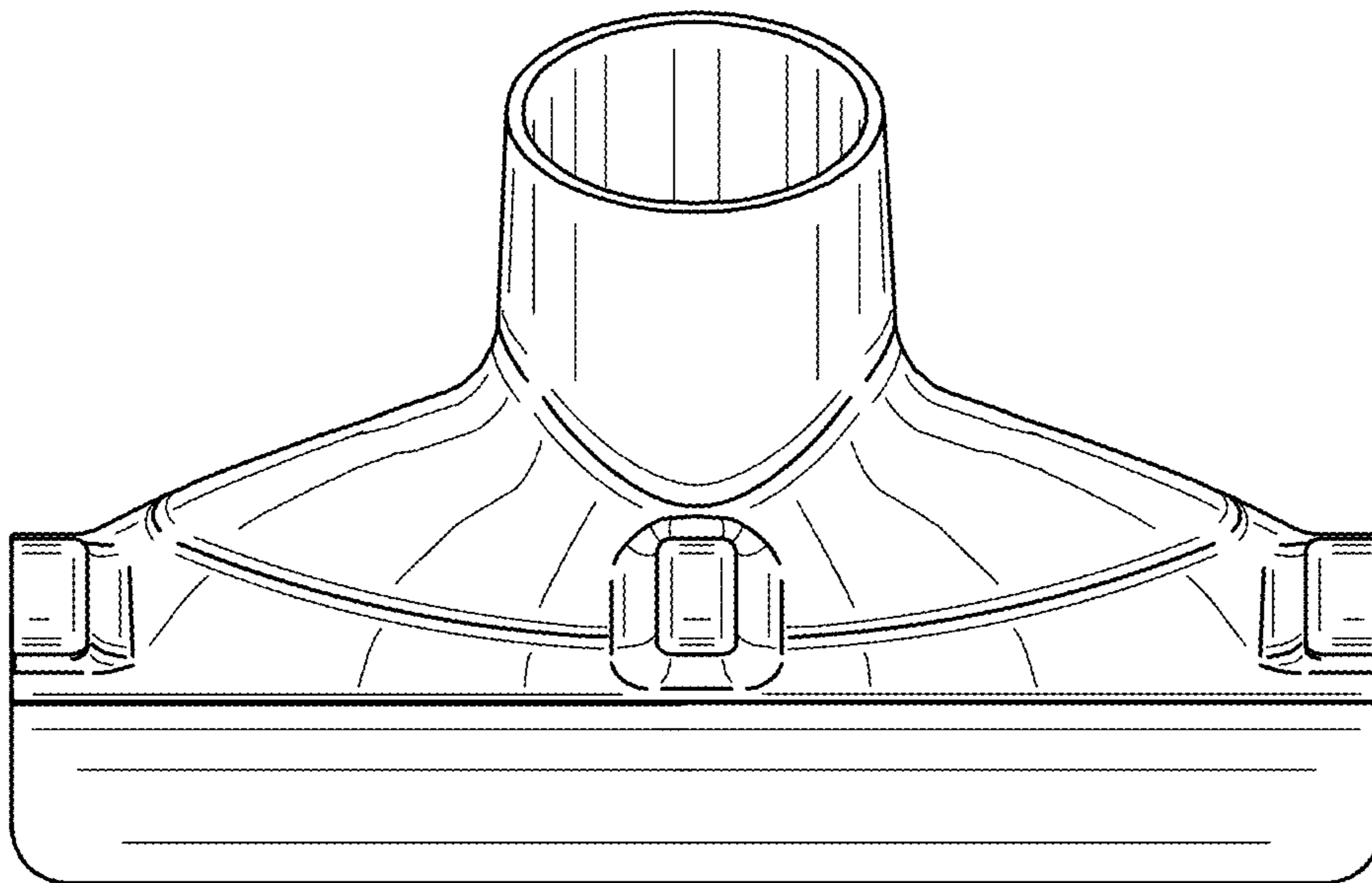


FIG. 7

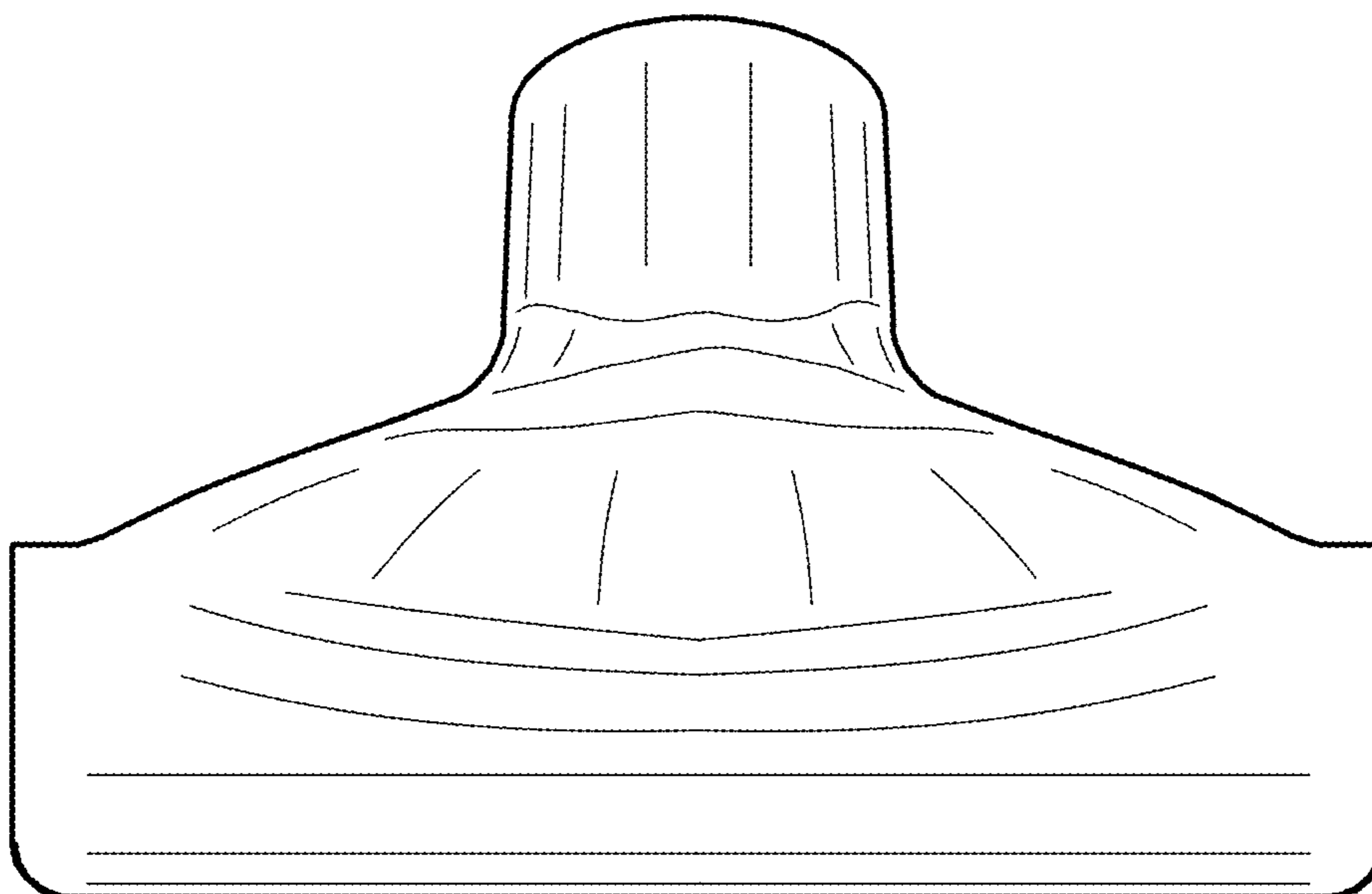


FIG. 8

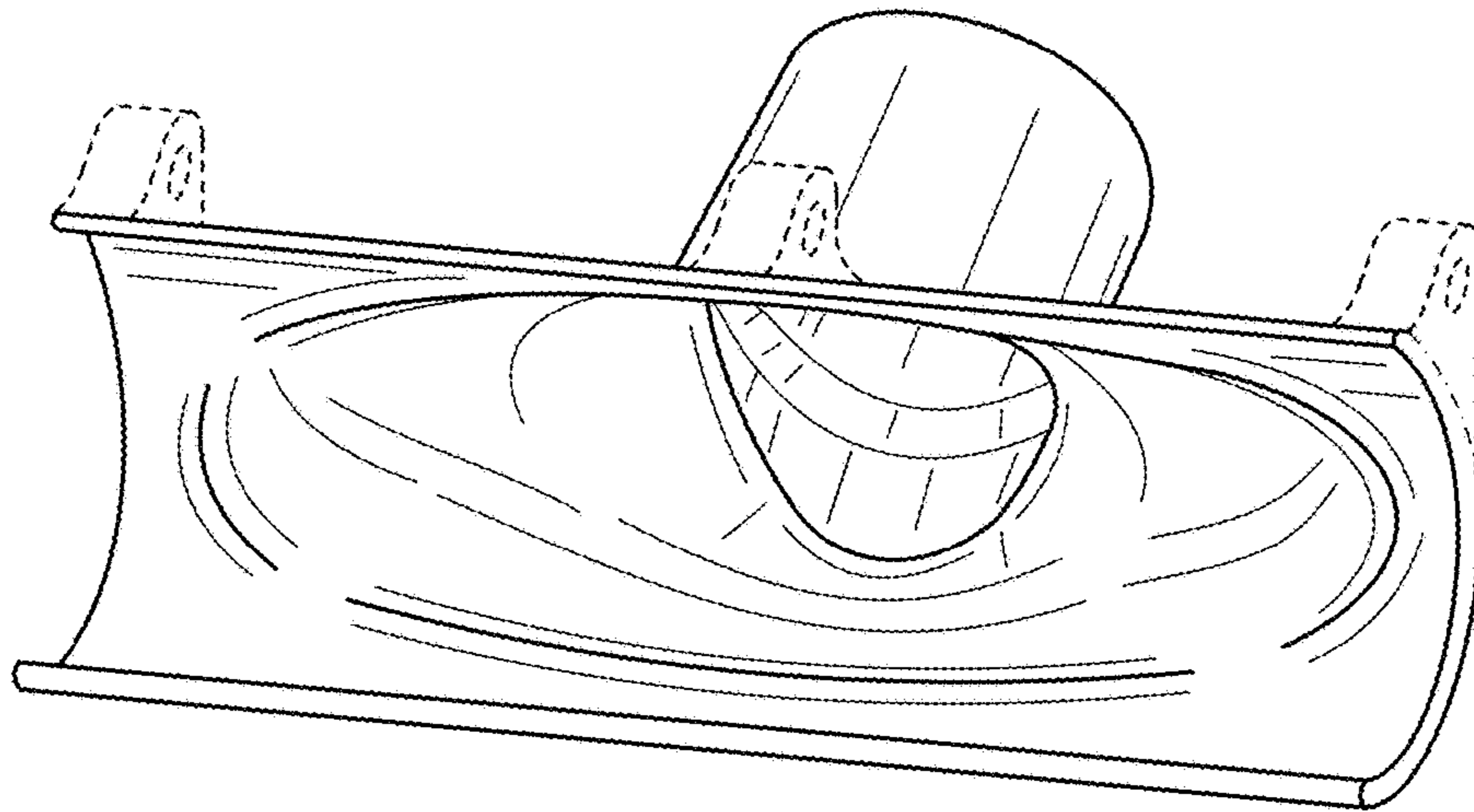


FIG. 9

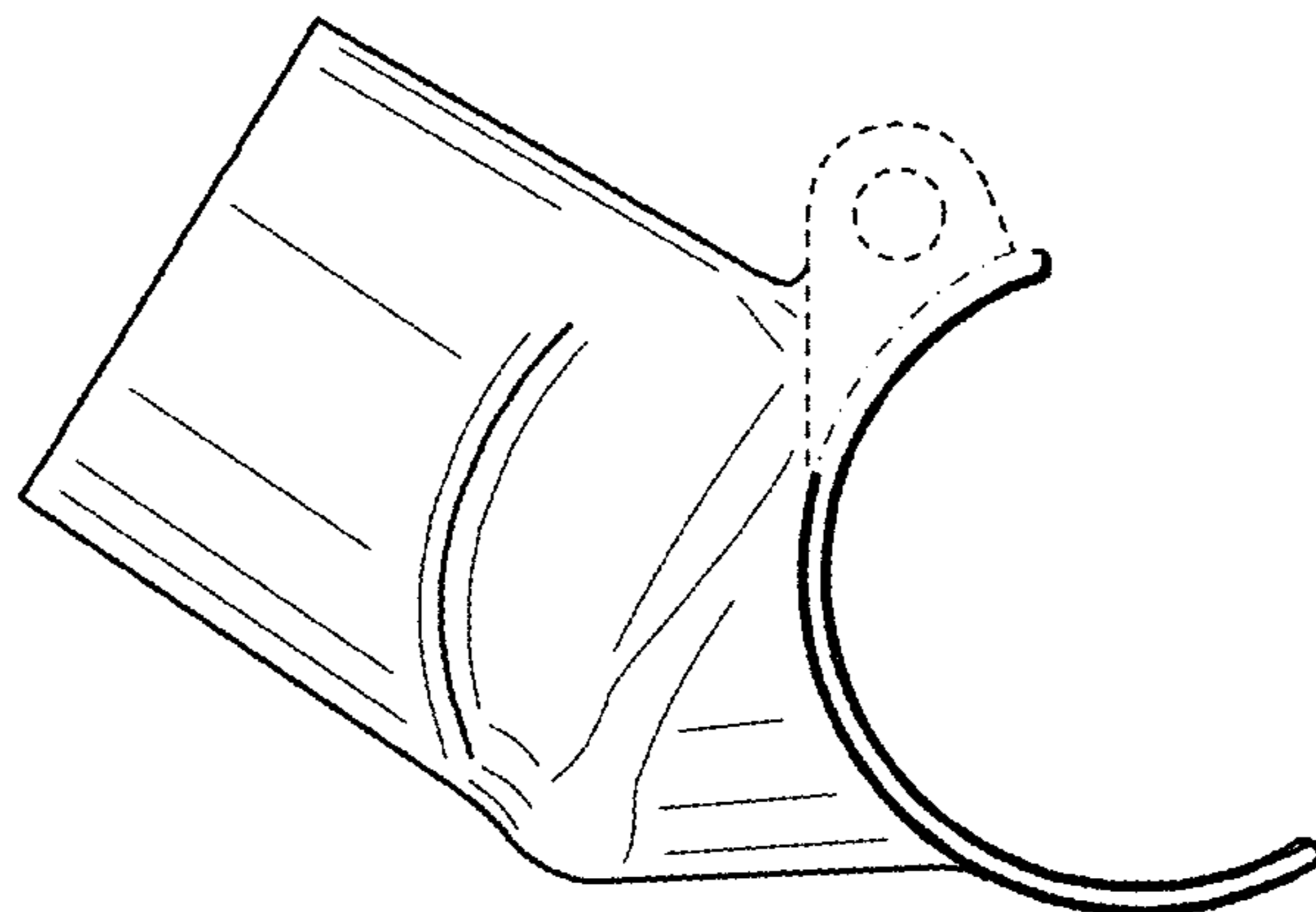


FIG. 10

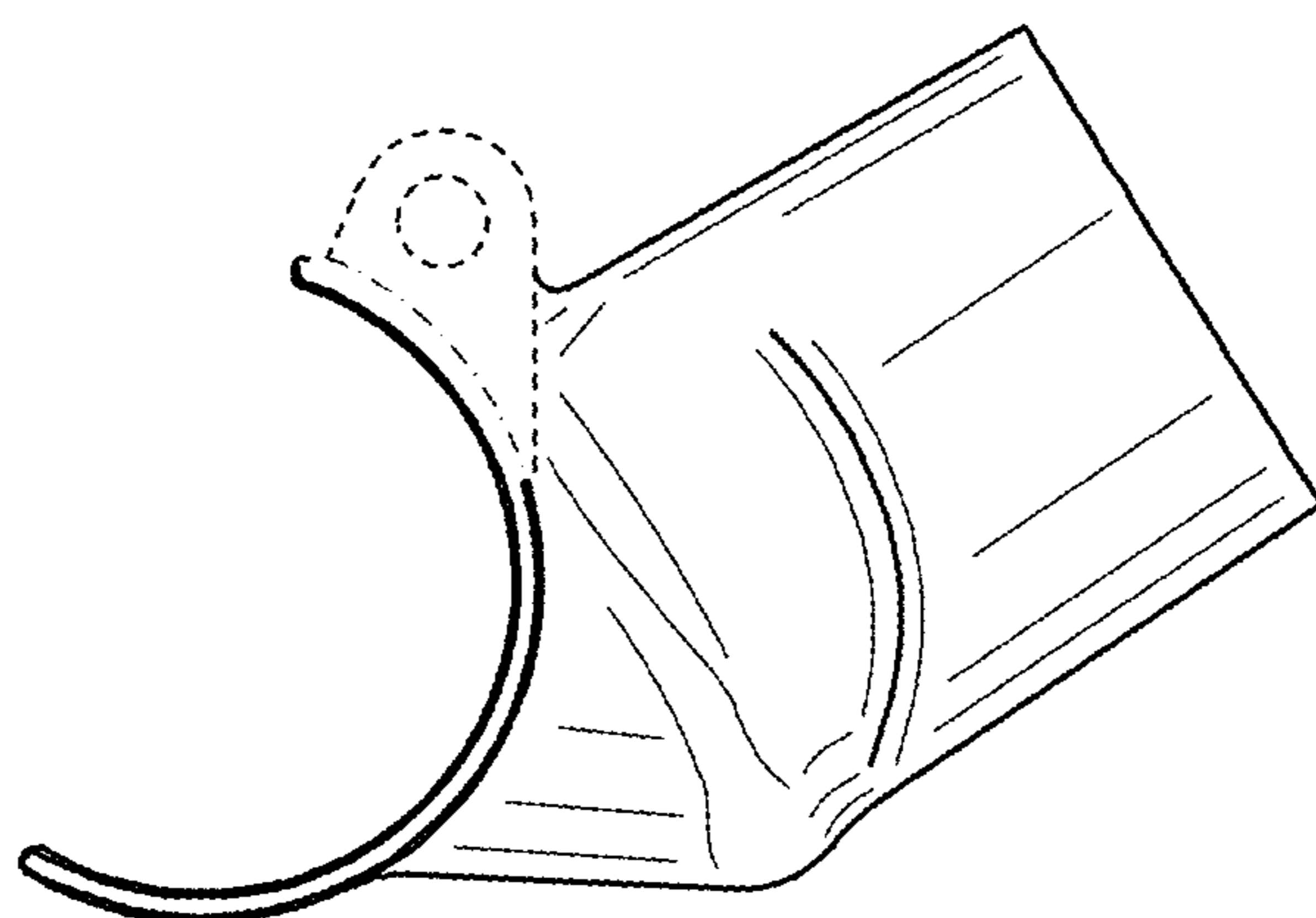


FIG. 11

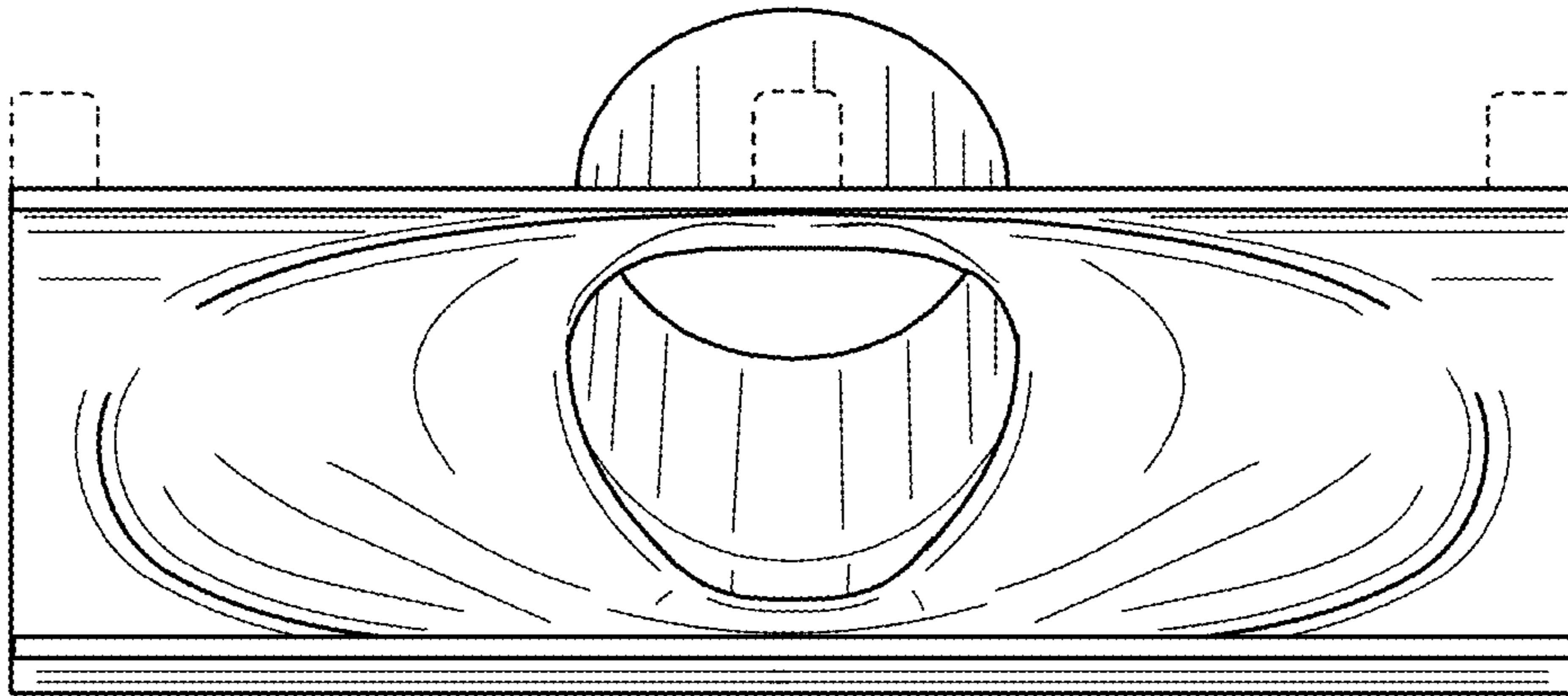


FIG. 12

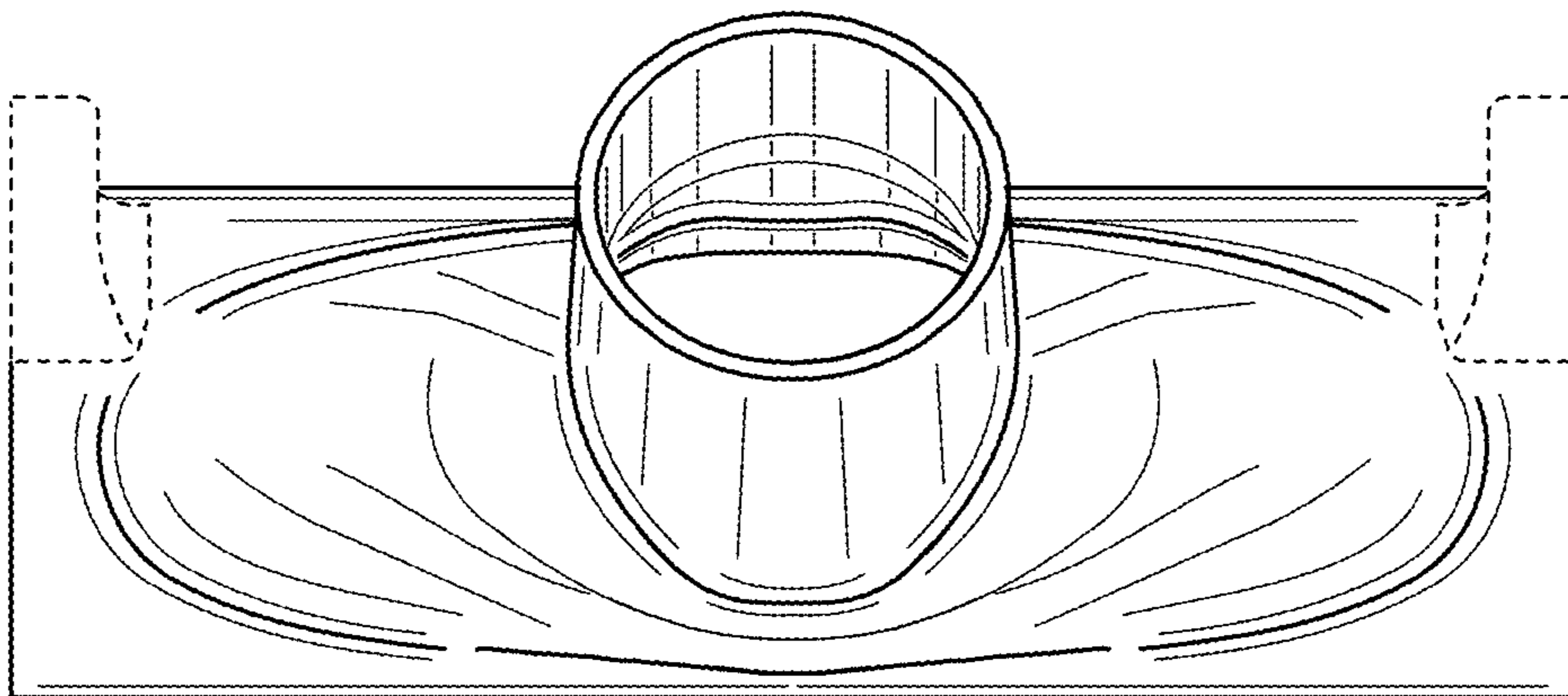


FIG. 13

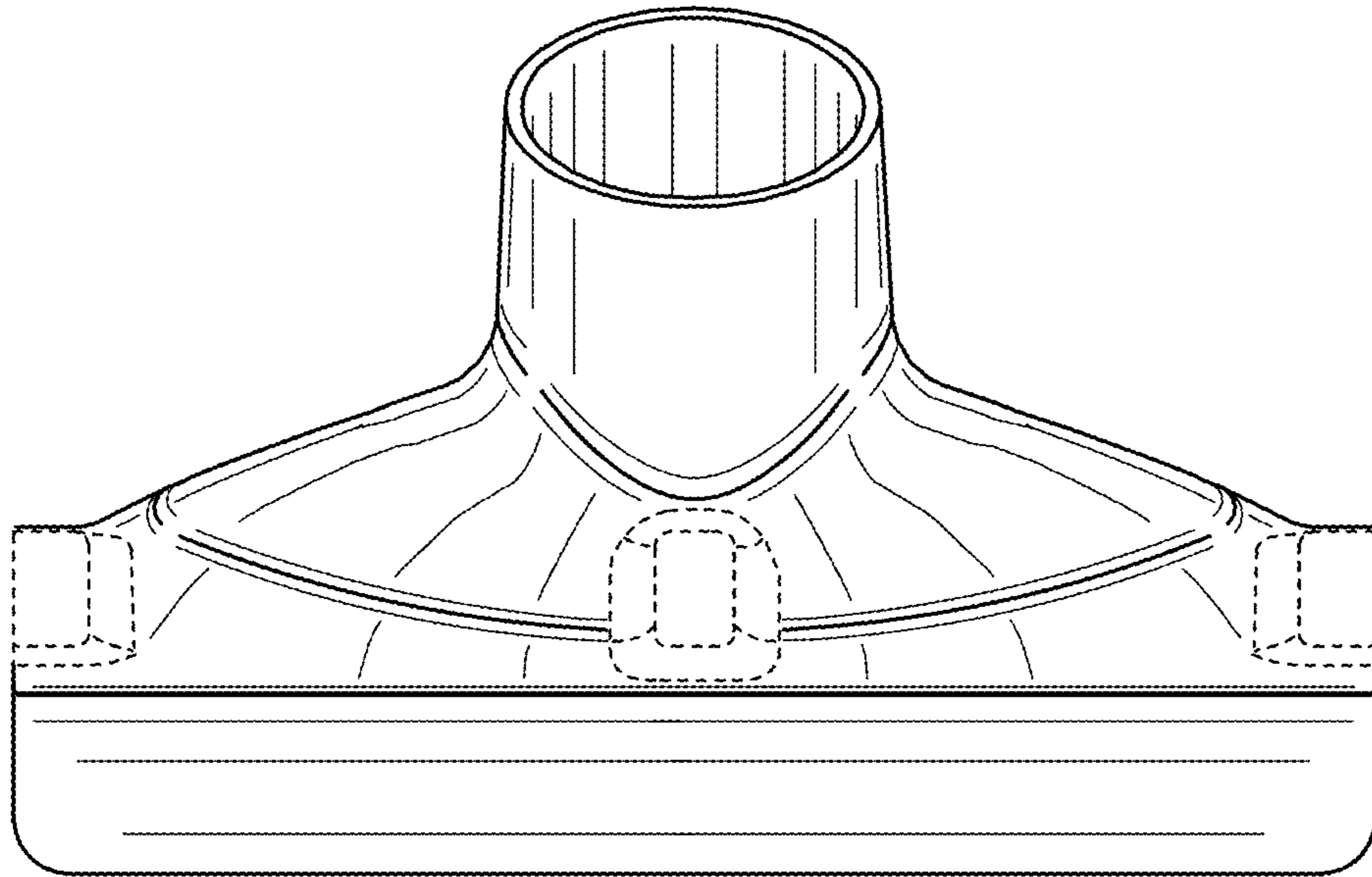


FIG. 14

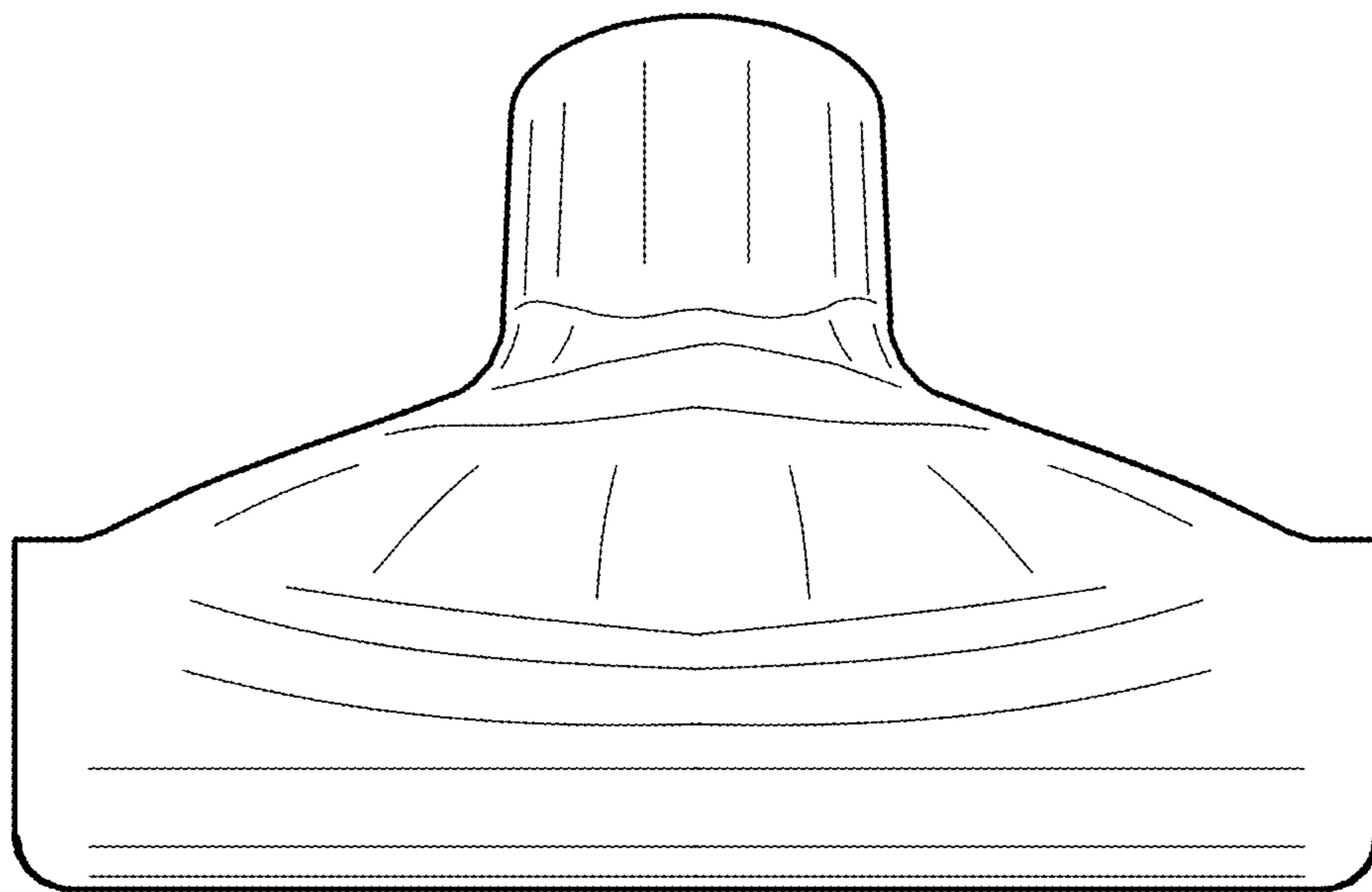


FIG. 15