



US00D795316S

(12) **United States Design Patent** (10) **Patent No.:** **US D795,316 S**
Raichart (45) **Date of Patent:** **** Aug. 22, 2017**

- (54) **BUD TRIMMER**
- (71) Applicant: **Cullen Raichart**, San Diego, CA (US)
- (72) Inventor: **Cullen Raichart**, San Diego, CA (US)
- (**) Term: **15 Years**
- (21) Appl. No.: **29/550,784**
- (22) Filed: **Jan. 7, 2016**

- D252,202 S * 6/1979 Sakamoto D18/54
- D269,346 S * 6/1983 LaBarbera D18/55
- D306,303 S * 2/1990 Takeda D15/145
- D308,386 S * 6/1990 Munson D15/127
- D319,556 S 9/1991 Purkapile
- 5,224,656 A 7/1993 Kobayashi et al.
- D354,966 S * 1/1995 Lim D15/145
- D401,822 S 12/1998 Pearlman
- 6,053,223 A 4/2000 Kilpelainen et al.
- 6,299,522 B1 10/2001 Lee
- D466,912 S 12/2002 Lee
- 6,665,943 B1 12/2003 Sloane et al.
- D549,539 S 8/2007 Walters
- D668,912 S 10/2012 Haggerty et al.
- 8,438,820 B1 * 5/2013 Malavenda B65B 43/44
53/435

Related U.S. Application Data

- (63) Continuation-in-part of application No. 14/455,804, filed on Aug. 8, 2014, and a continuation of application No. 29/498,939, filed on Aug. 8, 2014, now Pat. No. Des. 755,263.
- (51) **LOC (10) Cl.** **15-09**
- (52) **U.S. Cl.**
USPC **D15/127**
- (58) **Field of Classification Search**
USPC D15/124-134, 138-143, 28-29, 9, 17,
D15/135-137; D10/64, 65; D8/70, 8,
D8/66, 23, 16, 52, 60; D7/412, 414;
241/277
CPC B23D 45/044-45/048; B21D 17/04; B23K
7/006; B23B 5/162; B23B 5/163; B24D
7/06; B24D 7/12; B24D 9/08; B28B
3/269; A01G 17/00-17/026; A01G 5/00
See application file for complete search history.

D696,320 S 12/2013 Sjoberg et al.
(Continued)

Primary Examiner — Patricia Palasik
(74) *Attorney, Agent, or Firm* — Buche & Associates,
P.C.; John K. Buche; Bryce A. Johnson

(57) **CLAIM**

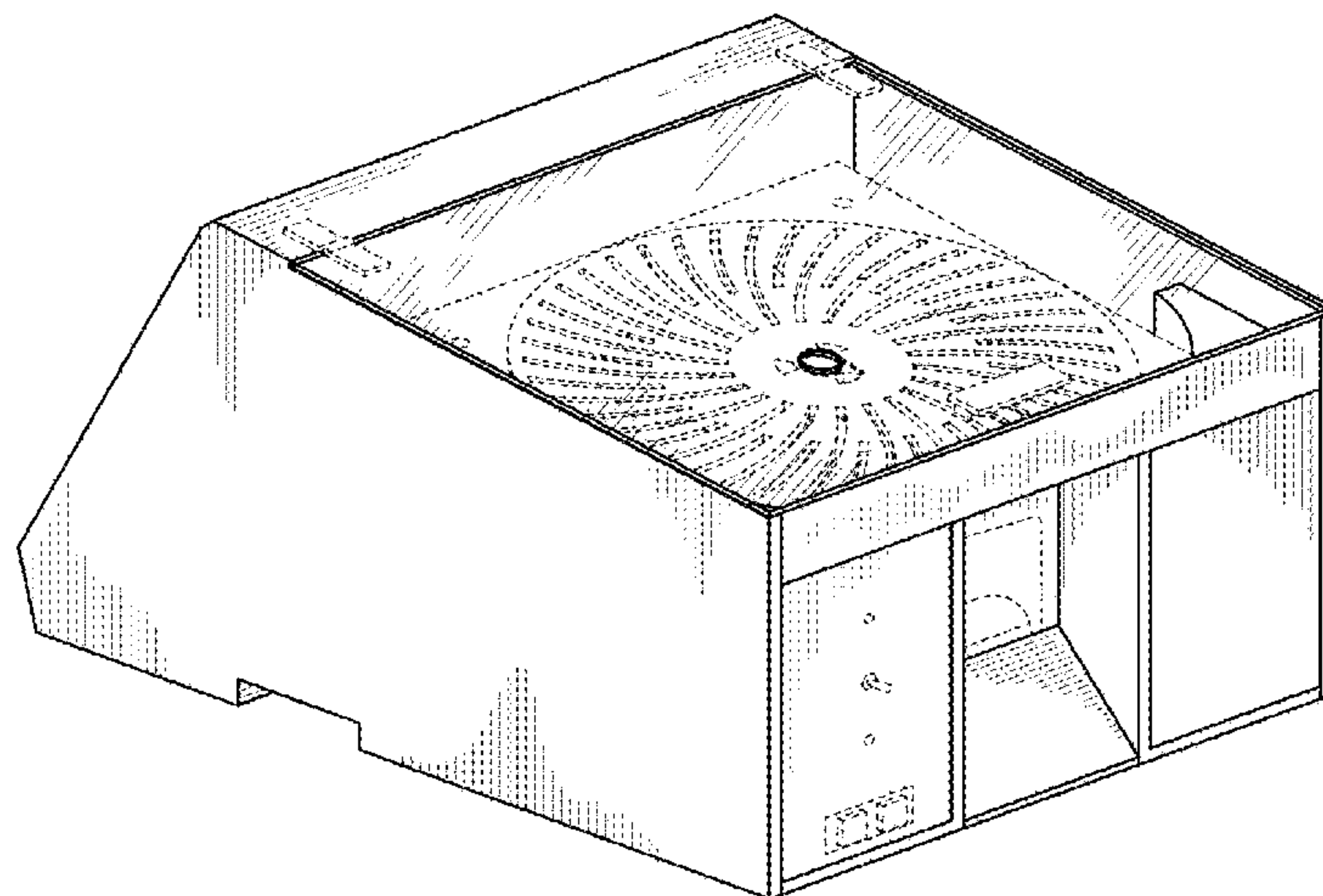
The ornamental design for a bud trimmer, as shown and described.

DESCRIPTION

FIG. 1 is a perspective view of a bud trimmer.
FIG. 2 is a front view of the trimmer of FIG. 1.
FIG. 3 is a rear elevational view of the trimmer of FIG. 1.
FIG. 4 is a left elevational side view of the trimmer of FIG. 1.
FIG. 5 is a right elevational side view of the trimmer of FIG. 1.
FIG. 6 is a top plan view of the trimmer of FIG. 1.
FIG. 7 is a bottom plan view of the trimmer of FIG. 1; and,
FIG. 8 is an exploded view of the trimmer of FIG. 1.
The broken lines in the drawings of the bud trimmer depict unclaimed environmental subject matter.

- (56) **References Cited**
U.S. PATENT DOCUMENTS
579,414 A 3/1897 Vance
D31,680 S 10/1899 Hopkins
809,254 A 1/1906 Golden
1,248,330 A 11/1917 Huish et al.
2,749,681 A 6/1956 Reidenbach

1 Claim, 8 Drawing Sheets



(56)

References Cited

U.S. PATENT DOCUMENTS

8,950,955	B2 *	2/2015	Fukuda	G02B 6/2553 385/99
D746,885	S *	1/2016	Sato	D15/144
D755,263	S *	5/2016	Raichart	D15/126
D759,138	S *	6/2016	Sato	D15/144
2007/0069056	A1	3/2007	Shouse et al.	
2011/0170931	A1 *	7/2011	Kawaguchi	B26D 1/085 400/621
2012/0279193	A1	11/2012	Mosman	
2013/0205965	A1 *	8/2013	Walker	B26D 1/0006 83/98
2013/0240417	A1	9/2013	Kelly	
2014/0087794	A1 *	3/2014	Hall	A23N 15/02 460/123
2015/0047485	A1	2/2015	Schroeder	
2016/0039105	A1 *	2/2016	Raichart	B26D 1/147 83/13
2016/0183546	A1 *	6/2016	Garratt	A23N 15/06 99/470
2016/0229076	A1 *	8/2016	Link	B26D 1/025
2016/0288353	A1 *	10/2016	McCracken	B26D 1/29
2016/0288540	A1 *	10/2016	Osuka	B26D 1/065

* cited by examiner

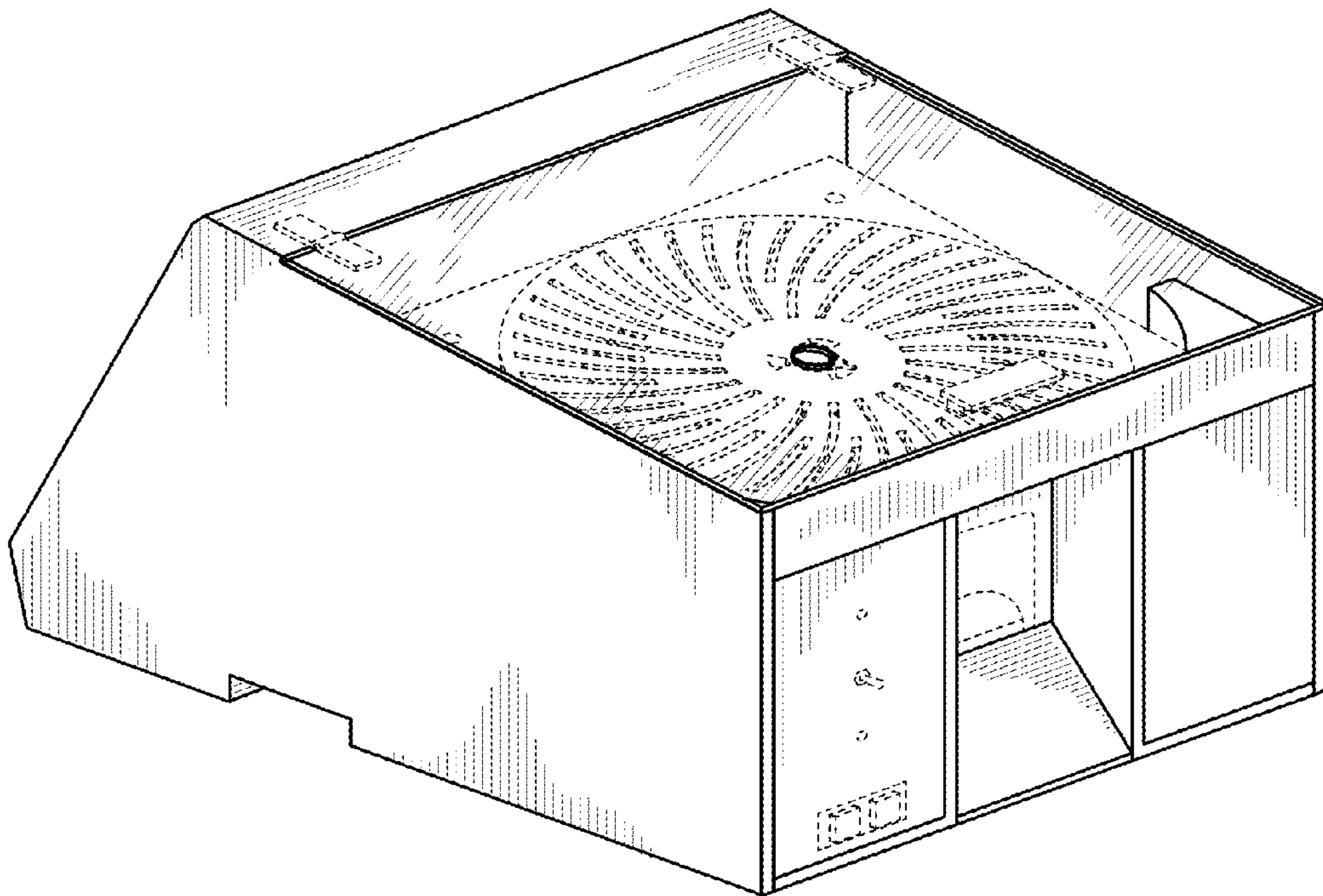


FIG. 1

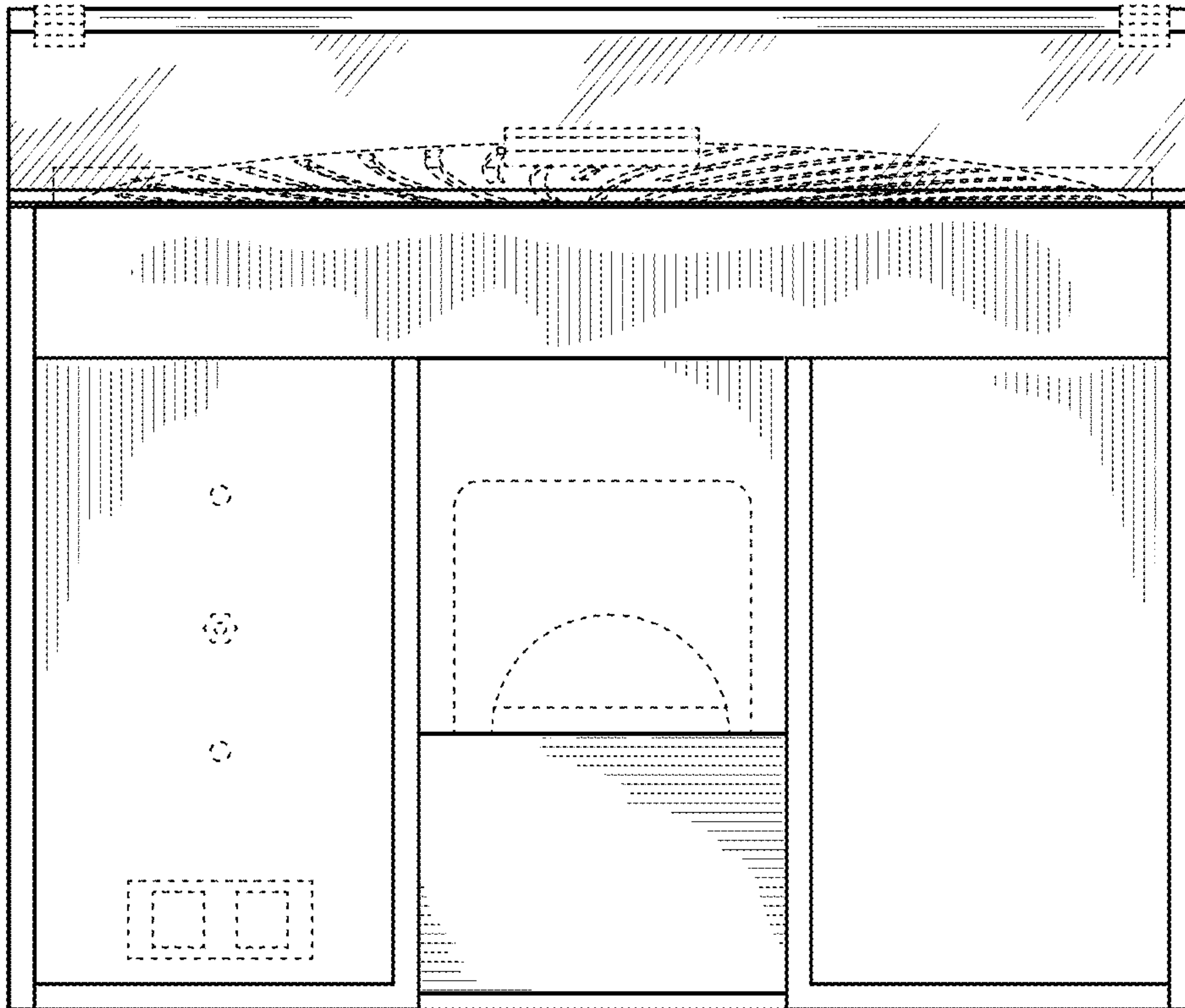


FIG. 2

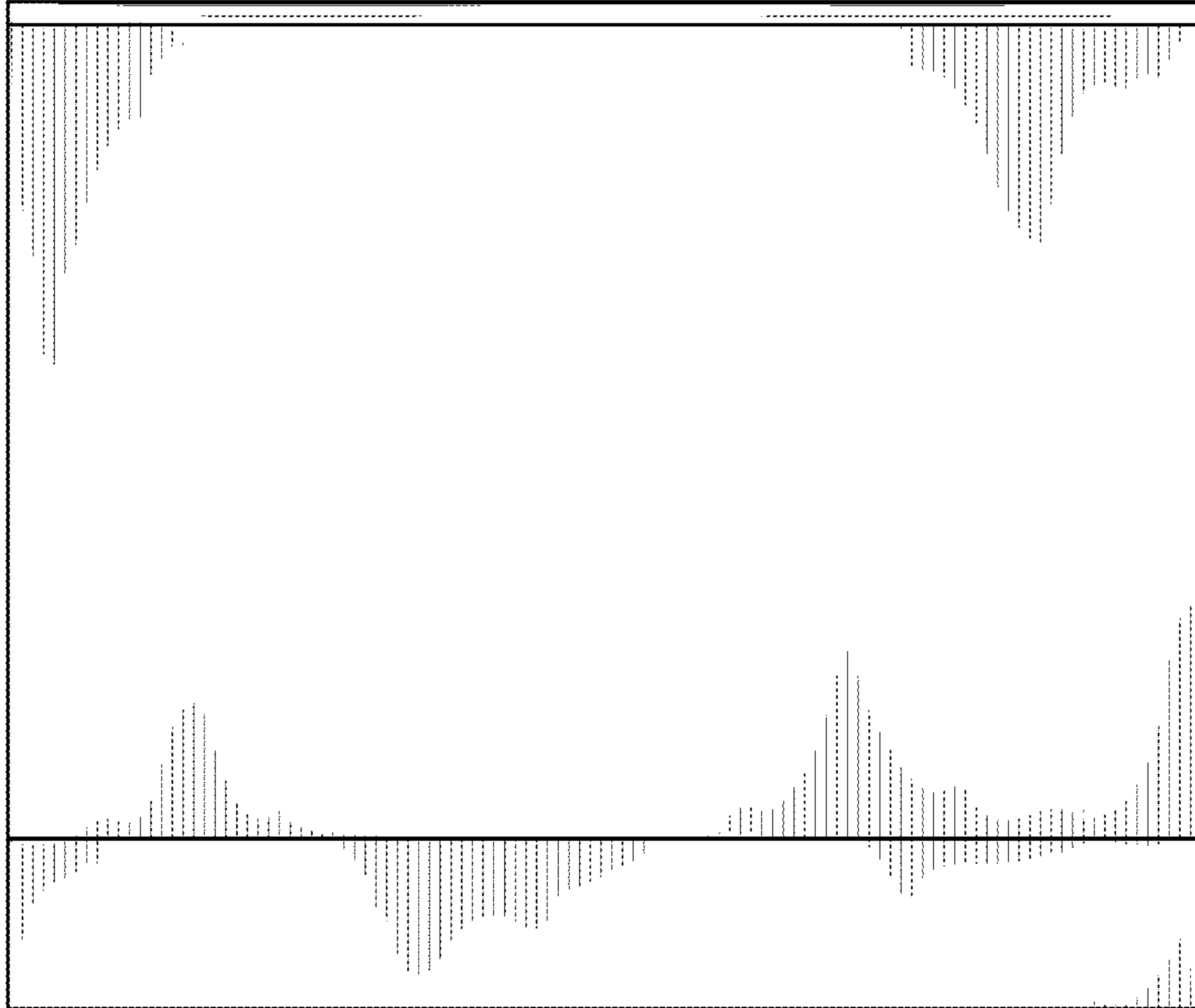


FIG. 3

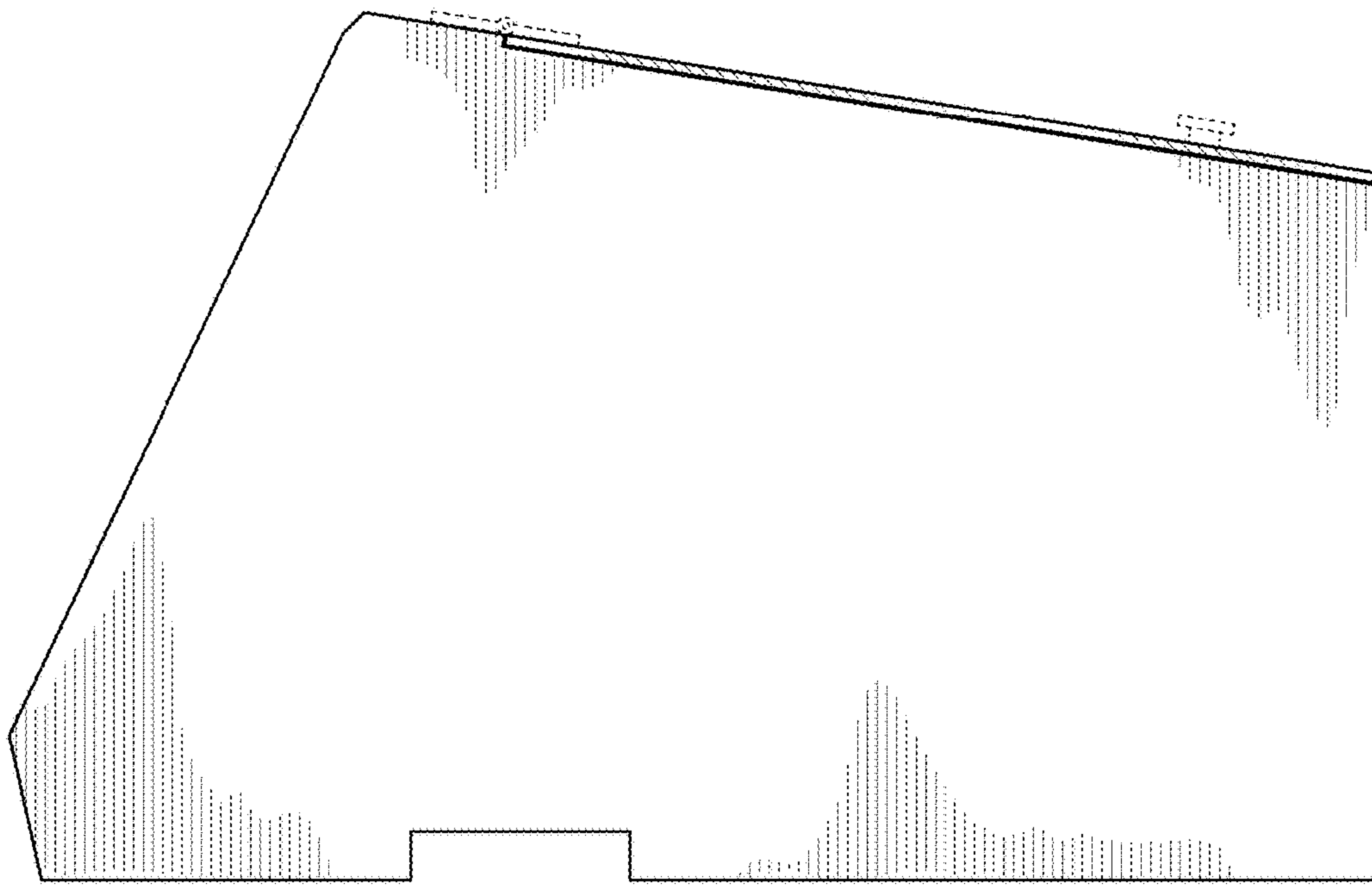


FIG. 4

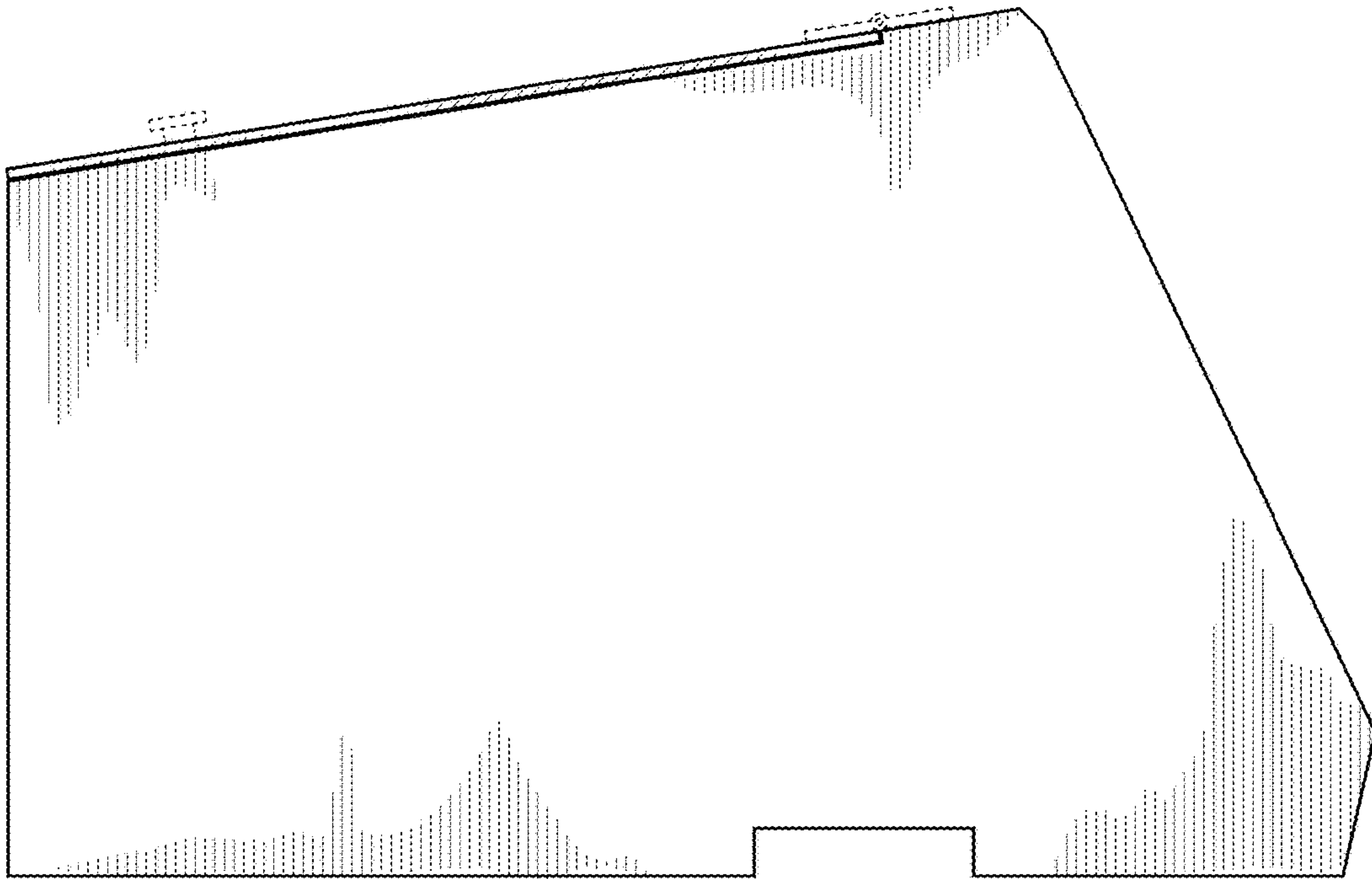


FIG. 5

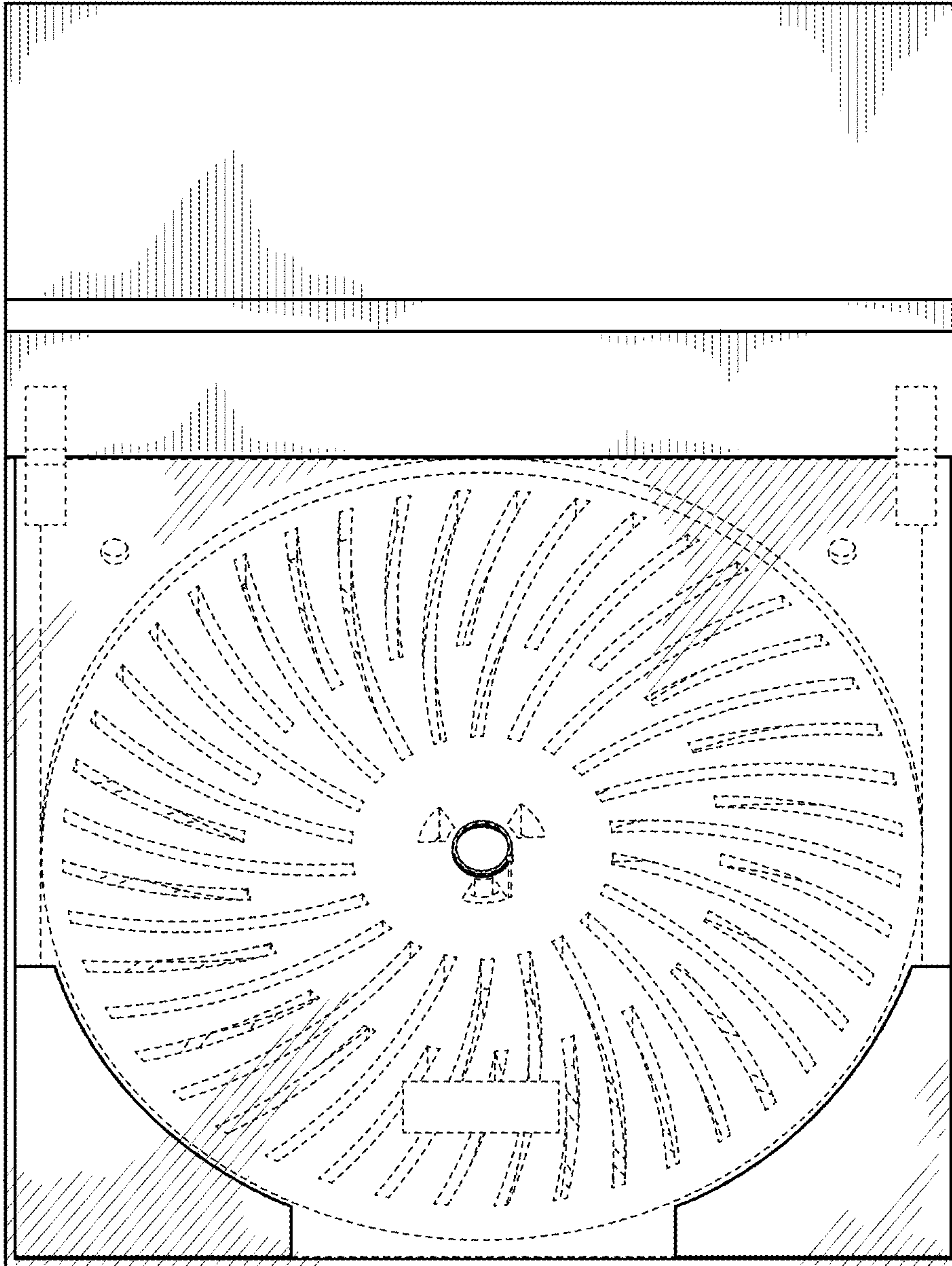


FIG. 6

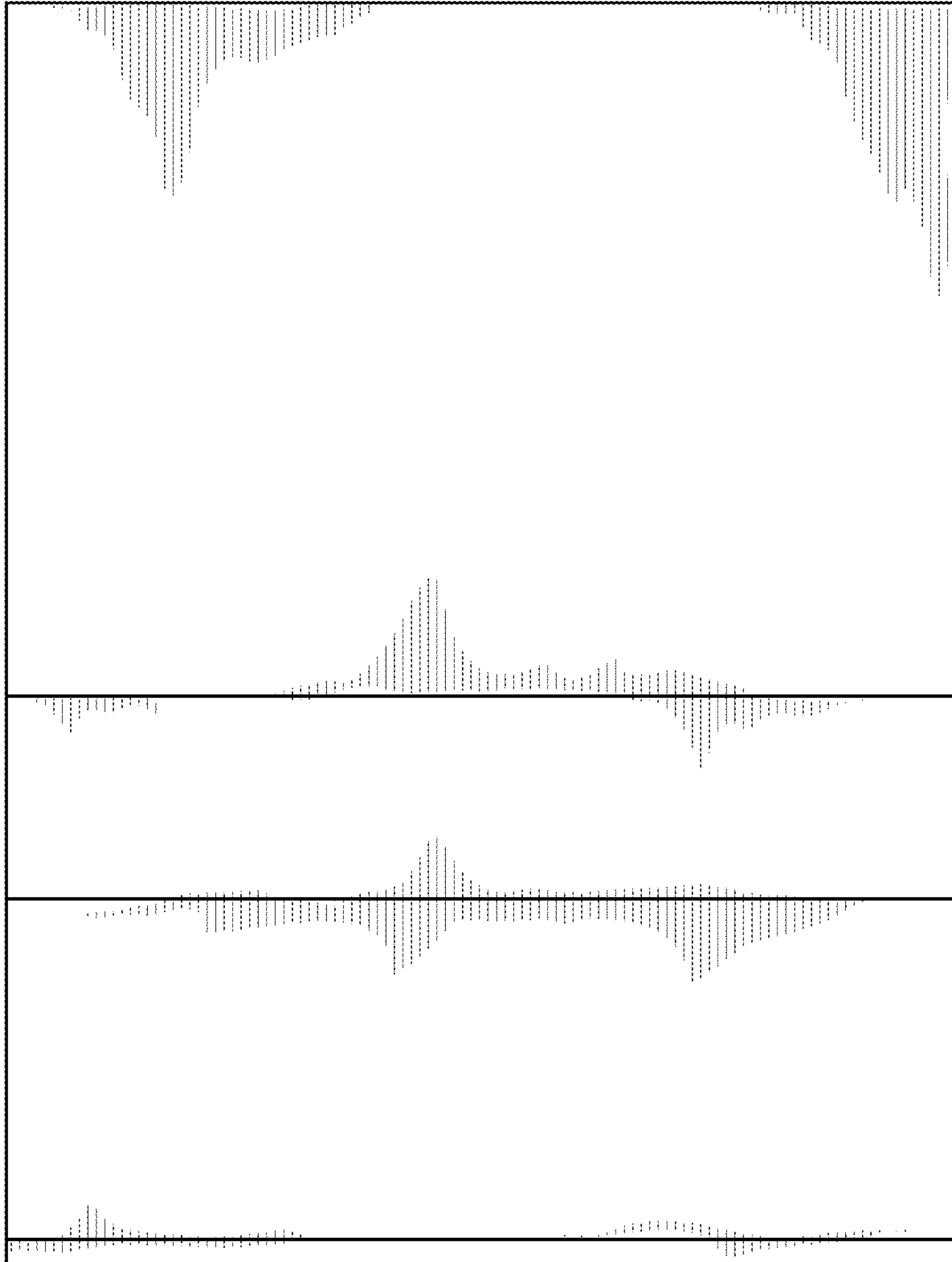


FIG. 7

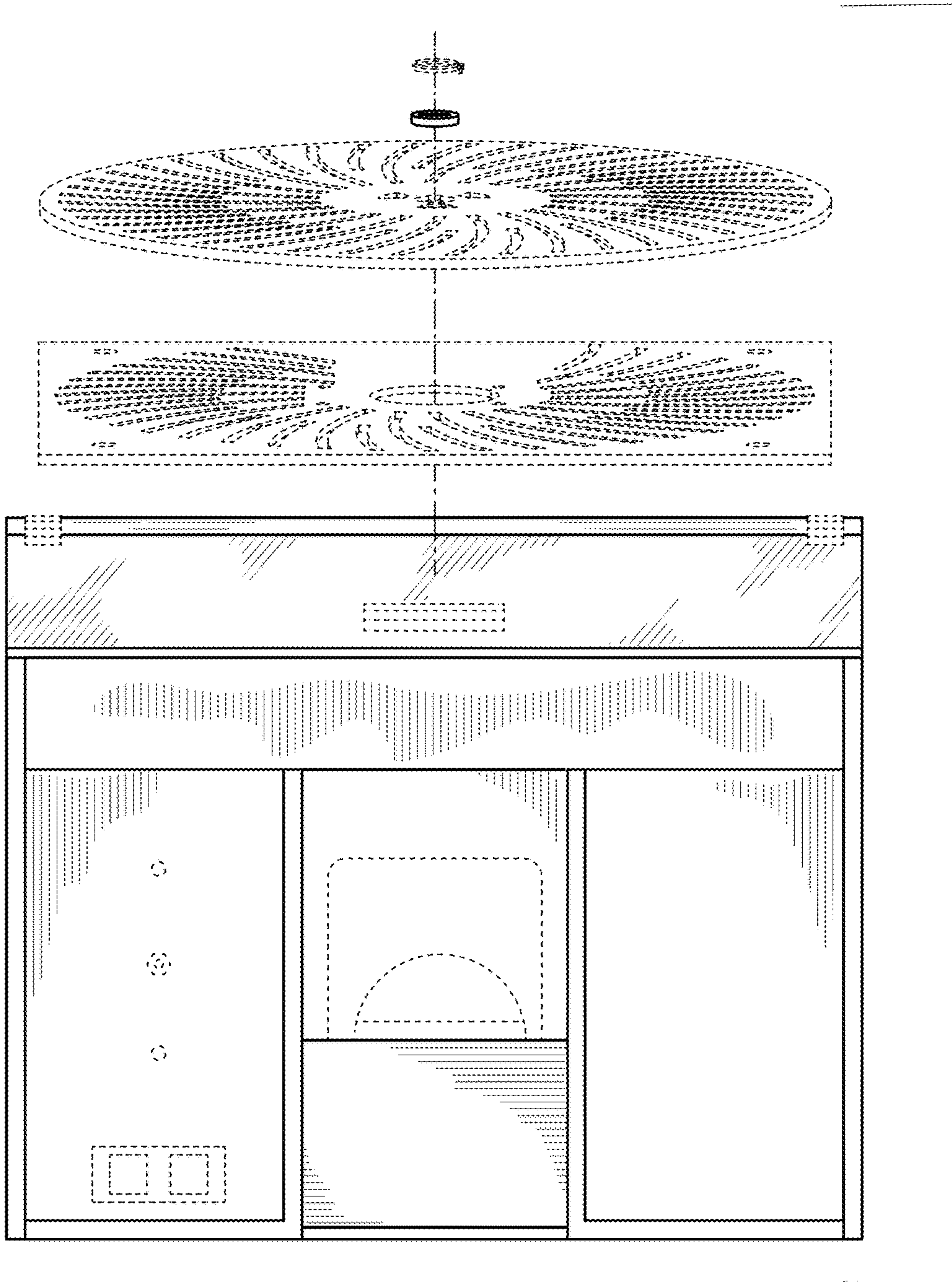


FIG. 8