



US00D795314S

(12) **United States Design Patent** (10) **Patent No.:** **US D795,314 S**  
**Pichler et al.** (45) **Date of Patent:** **\*\* Aug. 22, 2017**

- (54) **PLASTIC PROCESSING MACHINE**
- (71) Applicant: **NEXT GENERATION RECYCLINGMASCHINEN GMBH**, Feldkirchen an der Donau (AT)
- (72) Inventors: **Thomas Pichler**, St. Peter am Wimberg (AT); **Bernhard Pichler**, St. Peter am Wimberg (AT); **David Hehenberger**, Haslach an der Muehl (AT); **Helmut Behoun**, St. Valentin (AT)
- (73) Assignee: **Next Generation Recyclingmaschinen GmbH**, Feldkirchen an der Donau (AT)
- (\*\*) Term: **15 Years**
- (21) Appl. No.: **29/581,421**
- (22) Filed: **Oct. 19, 2016**

**Related U.S. Application Data**

- (62) Division of application No. 35/500,245, filed on Sep. 11, 2015 (U.S. filing date under 35 U.S.C. 384), and having an international filing date of Sep. 11, 2015, now Pat. No. Des. 781,358.

**Foreign Application Priority Data**

- Mar. 23, 2015 (EM) ..... 002665075
- (51) **LOC (10) Cl.** ..... **15-09**
- (52) **U.S. Cl.**  
USPC ..... **D15/122**
- (58) **Field of Classification Search**  
USPC ..... D15/122  
CPC ..... B29C 45/14; B29B 7/84; B29B 9/02  
See application file for complete search history.

- (56) **References Cited**
- U.S. PATENT DOCUMENTS
- |               |         |                    |                           |
|---------------|---------|--------------------|---------------------------|
| 3,827,678 A * | 8/1974  | Andrews, III ..... | B01F 15/0483<br>264/211   |
| 4,135,643 A * | 1/1979  | Mieschke .....     | B01F 3/18<br>141/198      |
| 4,426,018 A * | 1/1984  | Ward .....         | B29B 17/0005<br>198/550.1 |
| 4,636,085 A   | 1/1987  | Kopernicky         |                           |
| 5,565,053 A   | 10/1996 | Happich            |                           |
| 5,606,140 A   | 2/1997  | Skinner            |                           |
| D621,426 S *  | 8/2010  | Fusejima .....     | D15/122                   |
| D695,324 S    | 12/2013 | Ballweg            |                           |
| D721,393 S    | 1/2015  | Hawran             |                           |

\* cited by examiner

*Primary Examiner* — George D Kirschbaum  
 (74) *Attorney, Agent, or Firm* — Collard & Roe, P.C.

(57) **CLAIM**

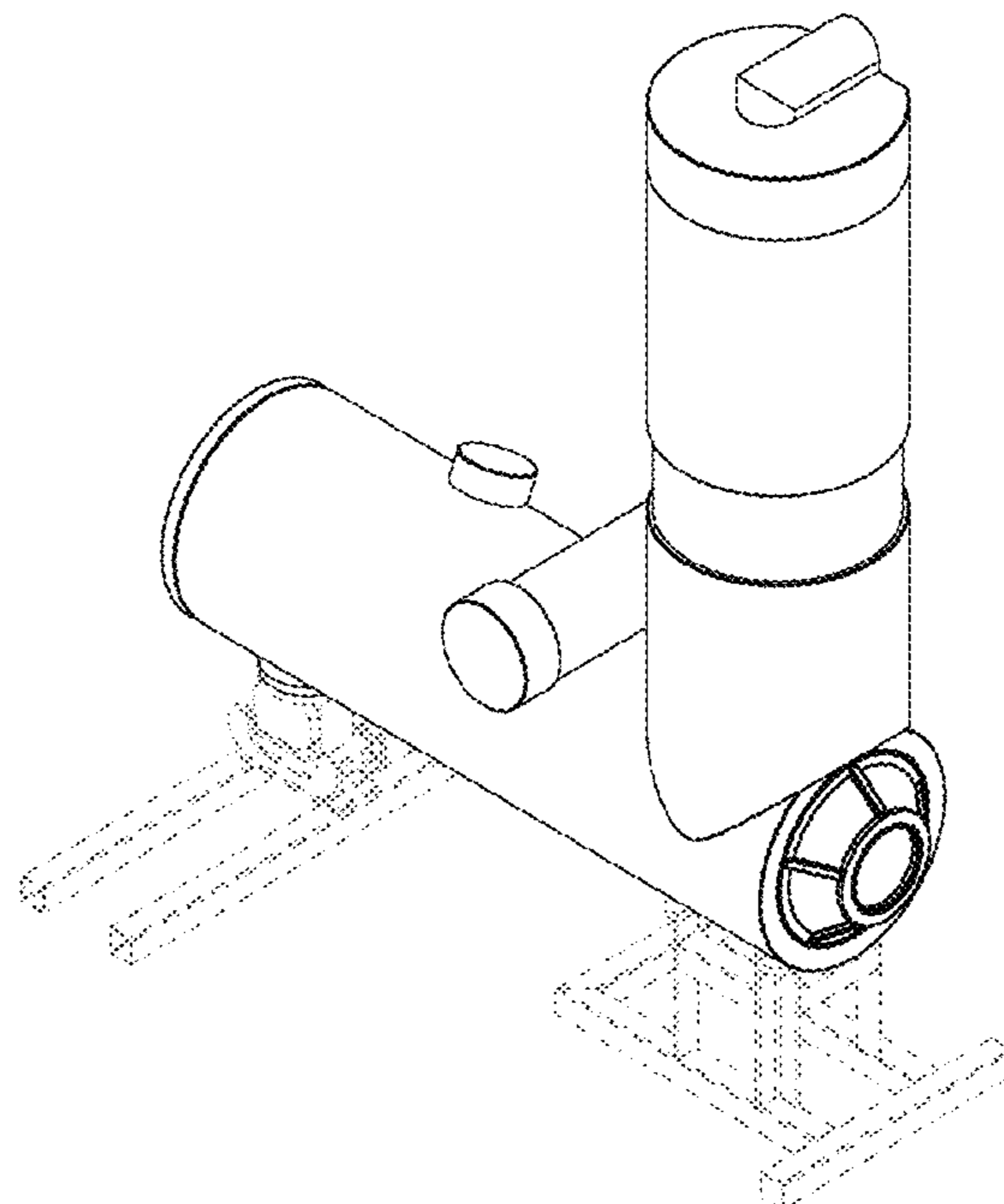
The ornamental design for a plastic processing machine, as shown and described.

**DESCRIPTION**

FIG. 1 is a left side, top and front perspective view of a plastic processing machine, showing our new design; FIG. 2 is a left side, top and rear perspective view thereof; FIG. 3 is a front view thereof; FIG. 4 is a top view thereof; FIG. 5 is a rear view thereof; FIG. 6 is a right side view thereof; and, FIG. 7 is a left side view thereof.

The elements shown in broken lines show environmental structure only and form no part of the claimed design.

**1 Claim, 7 Drawing Sheets**



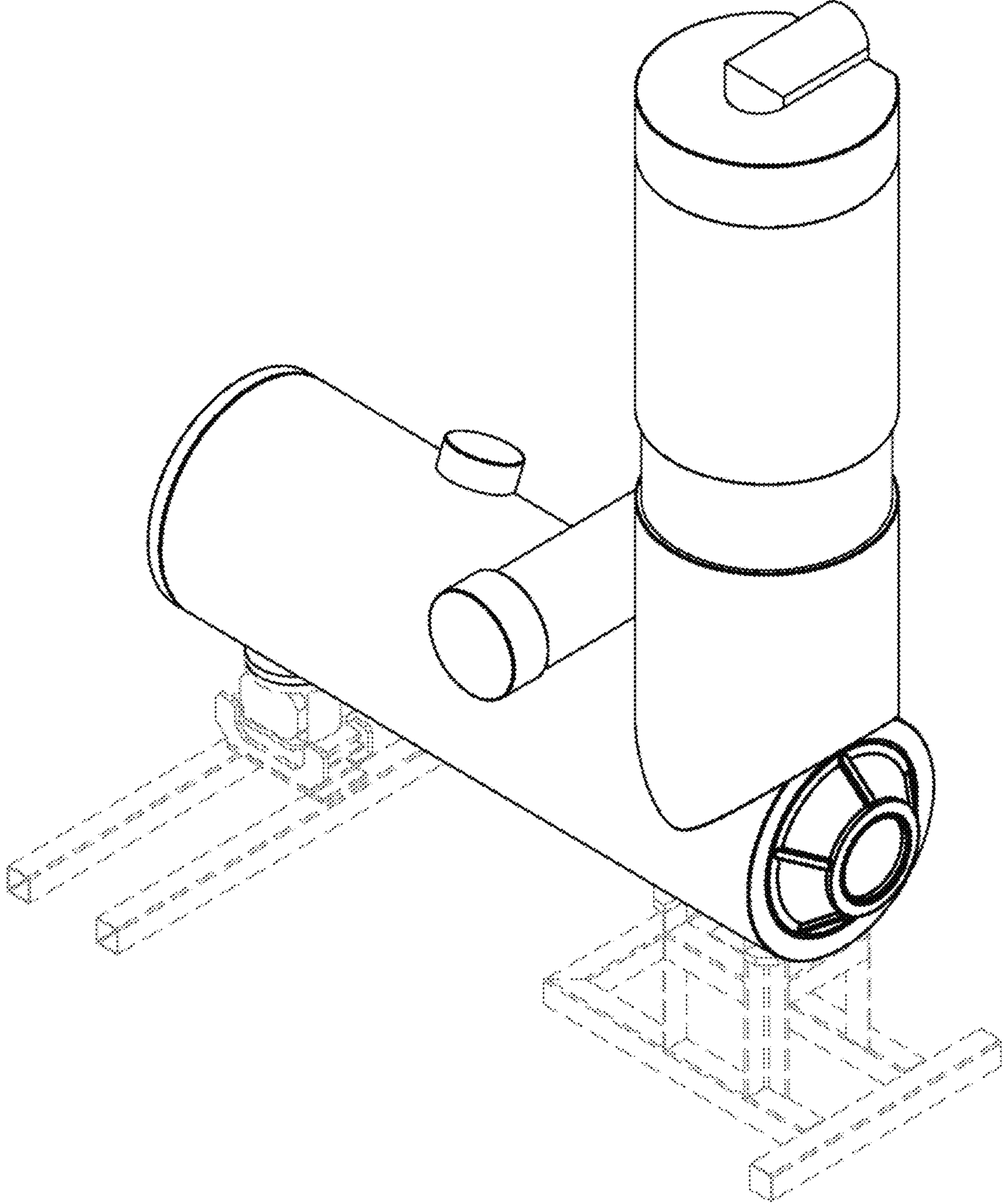


FIG. 1

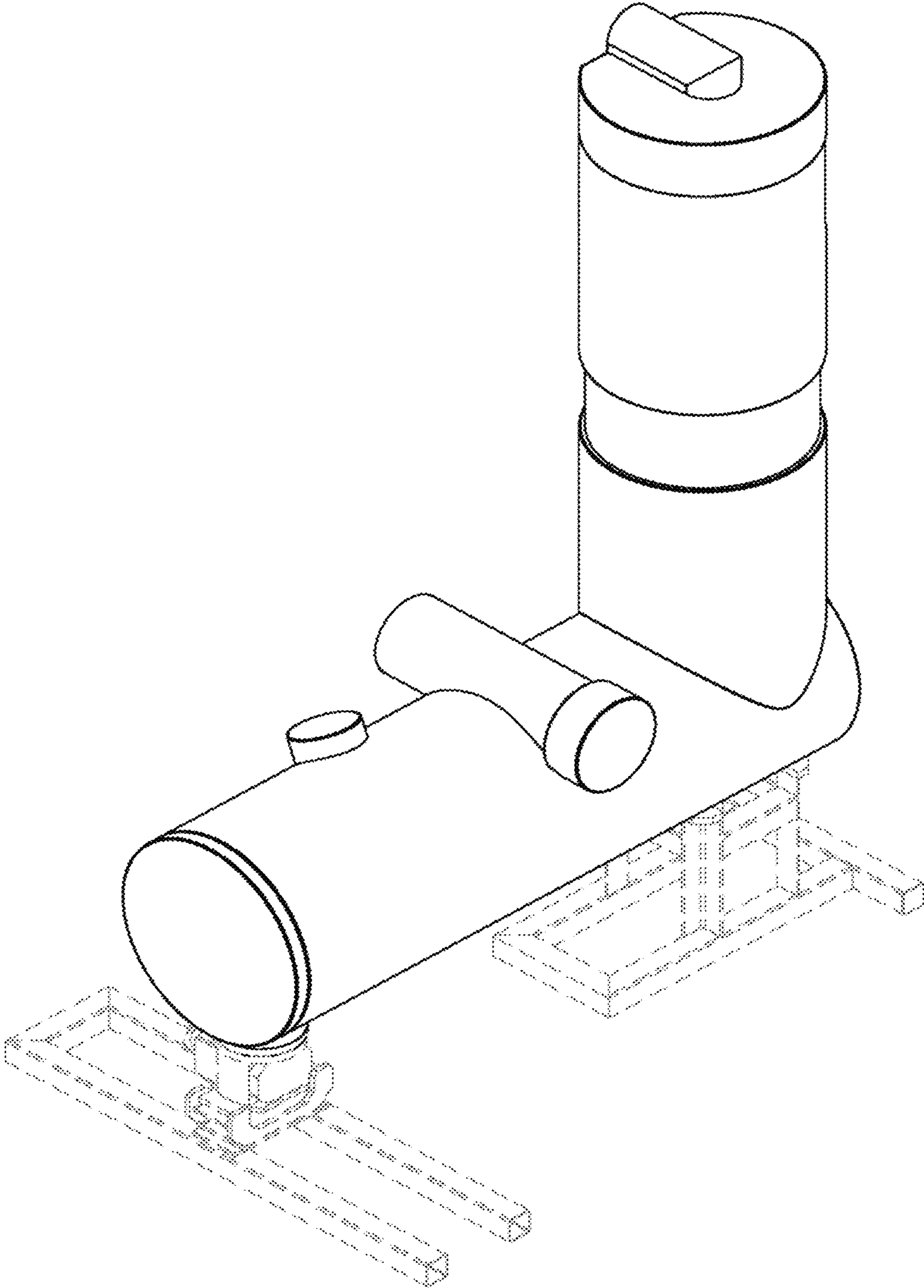


FIG. 2

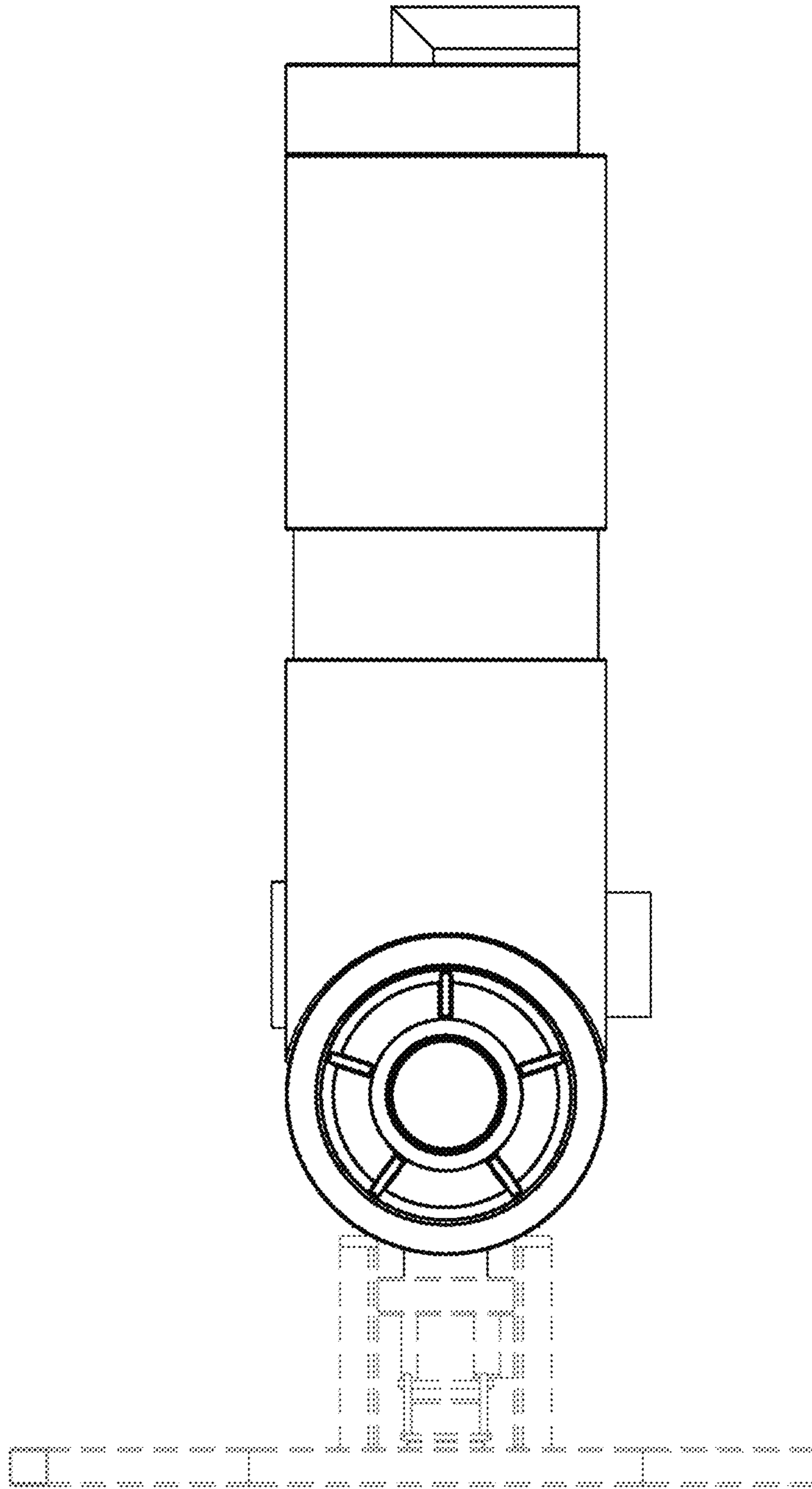


FIG. 3

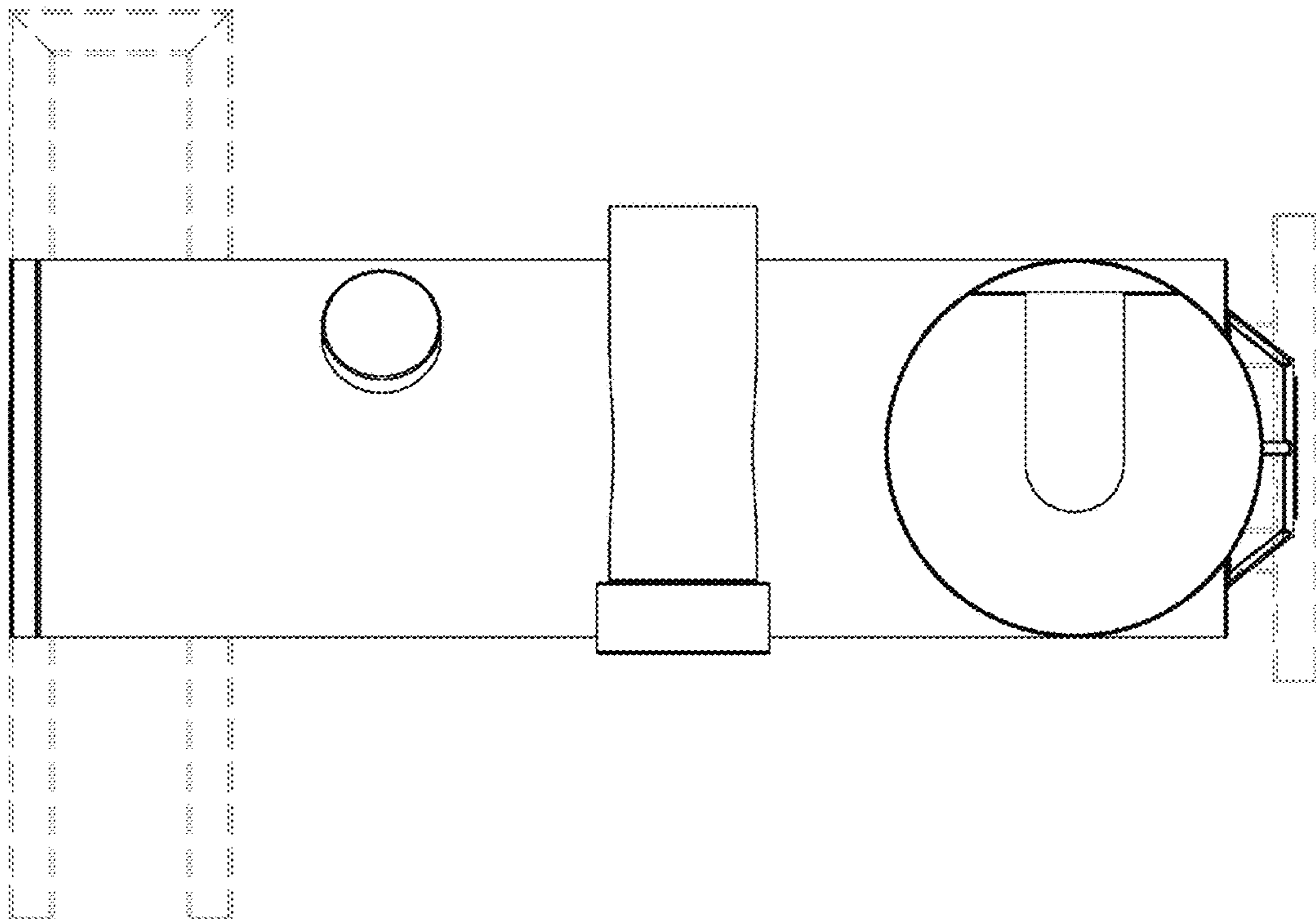


FIG. 4



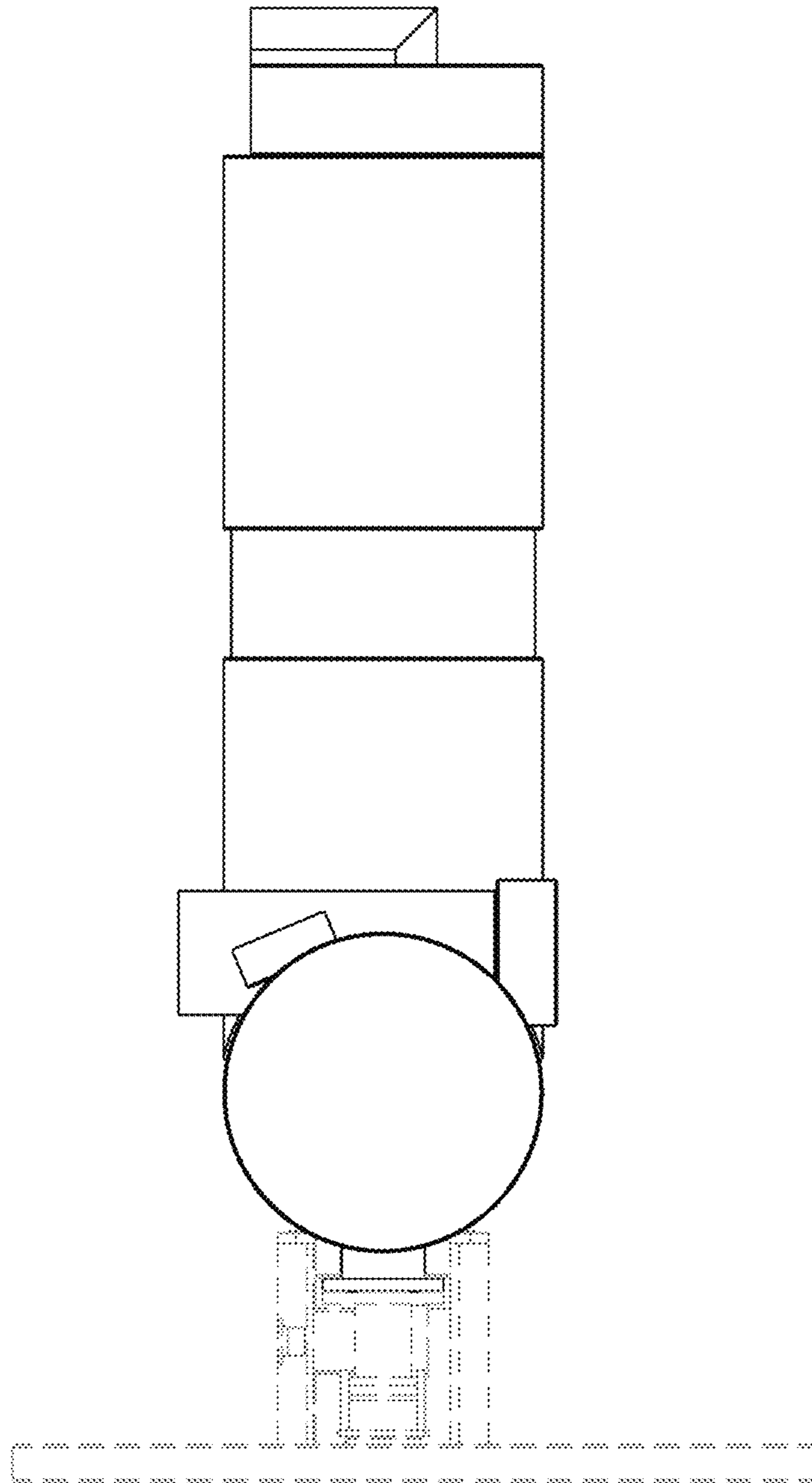


FIG. 5

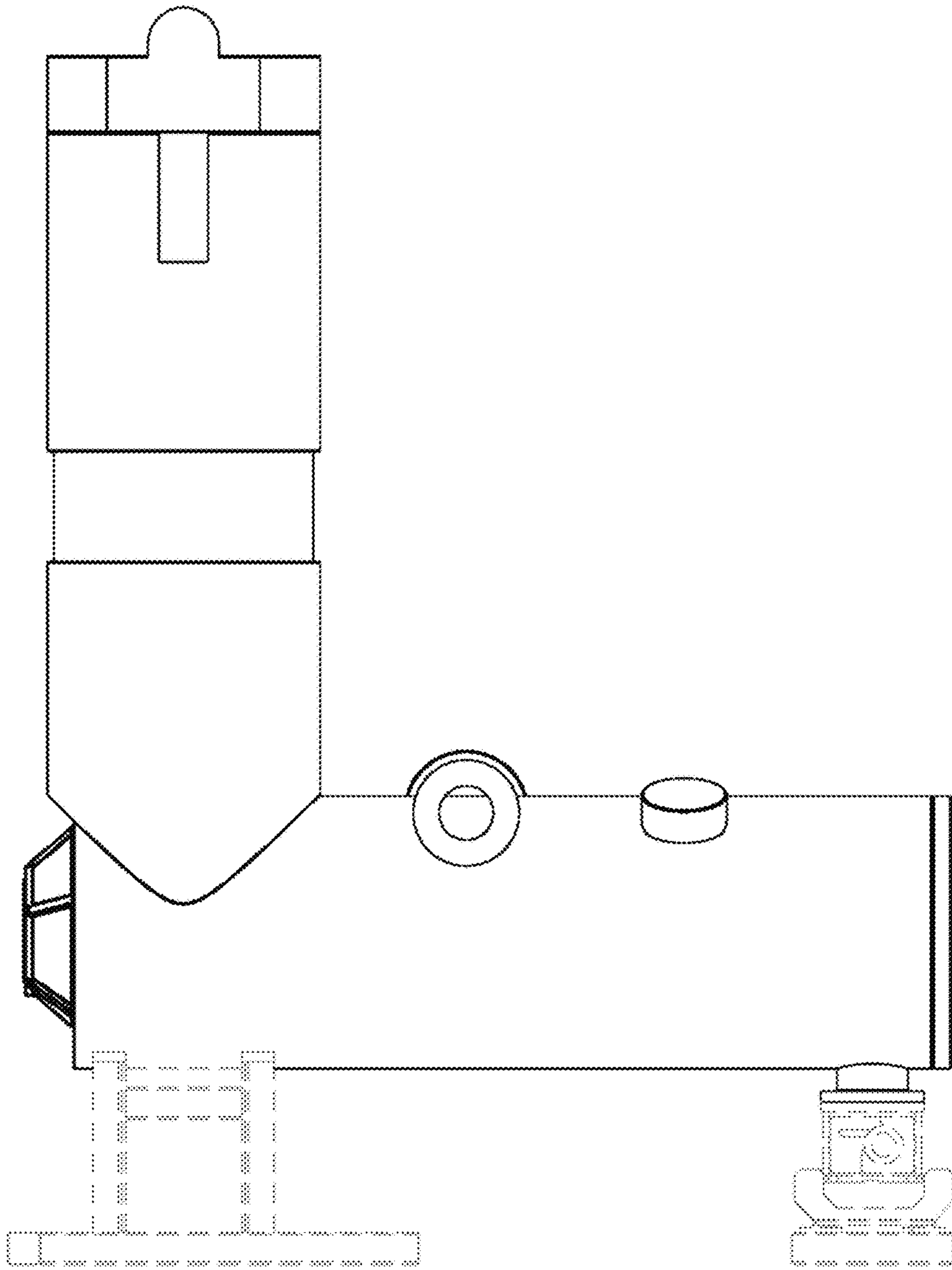


FIG. 6

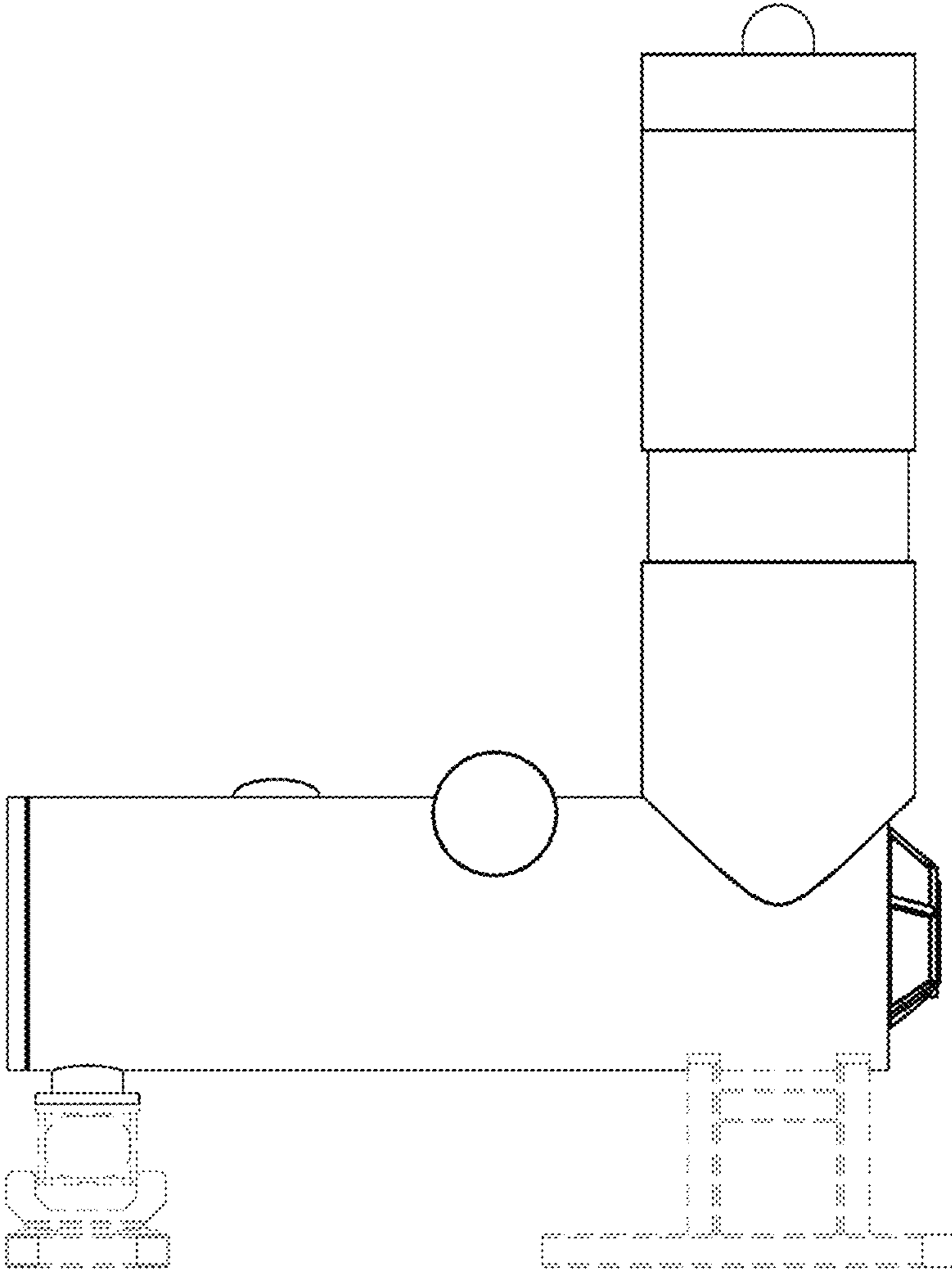


FIG. 7