



US00D795313S

(12) **United States Design Patent** (10) **Patent No.:** **US D795,313 S**  
**Seiders et al.** (45) **Date of Patent:** **\*\* Aug. 22, 2017**

(54) **ICE PACK**  
(71) Applicant: **YETI Coolers, LLC**, Austin, TX (US)  
(72) Inventors: **Roy Joseph Seiders**, Austin, TX (US);  
**John Alan Tolman**, Austin, TX (US);  
**Kyle Thomas Miller**, Austin, TX (US);  
**Steve Charles Nichols**, Austin, TX  
(US)  
(73) Assignee: **YETI Coolers, LLC**, Austin, TX (US)

D289,974 S \* 5/1987 Hamilton ..... D9/418  
D312,303 S \* 11/1990 Gustavsson ..... D23/359  
D322,383 S \* 12/1991 Jones ..... D15/90  
D336,595 S \* 6/1993 Jones ..... D15/90  
D340,642 S \* 10/1993 Detzel ..... D9/417  
D357,179 S \* 4/1995 Nedstedt ..... D9/417  
D376,876 S \* 12/1996 McInnes ..... D30/121  
D377,179 S \* 1/1997 Sundheim ..... D15/79  
5,640,852 A \* 6/1997 Atlas ..... F25B 21/02  
165/110  
D473,572 S \* 4/2003 Linberg ..... D15/90  
(Continued)

(\*\*) Term: **15 Years**

**OTHER PUBLICATIONS**

(21) Appl. No.: **29/552,572**

<http://yeti.com/yeti-ice>—Retrieved Oct. 31, 2016.\*  
(Continued)

(22) Filed: **Jan. 22, 2016**

(51) **LOC (10) Cl.** ..... **15-07**

*Primary Examiner* — Manpreet Matharu

(52) **U.S. Cl.**  
USPC ..... **D15/90**

*Assistant Examiner* — Mojtaba Tehrani

(74) *Attorney, Agent, or Firm* — Banner & Witcoff, Ltd.

(58) **Field of Classification Search**  
USPC ..... D15/79, 80, 82, 89, 90; D9/432, 766,  
D9/770; D7/550.1, 552.2, 553.1, 553.2,  
D7/553.3, 555, 566, 587, 603; D3/304,  
D3/307, 313

(57) **CLAIM**

The ornamental design for an ice pack, as shown and described.

CPC ..... F25B 21/02; F25B 2321/02; F25B 1/005;  
F25B 2321/0252; F25B 1/00; F25B 1/10;  
F25B 21/04; F25B 2339/047; F25B 5/02;  
F25B 7/00; F25B 13/00; F25B 1/053;  
F25B 2309/06; F25B 2321/021; F25B  
2321/023; F25D 23/028; F25D 23/02;  
F25D 25/025; F25D 23/00; F25D  
2323/021; F25D 11/00; F25D 2323/024;  
F25D 23/04; F25D 29/00; F25D 25/02;  
F25D 25/024; F25D 27/005; F25D 23/12;  
F25D 29/005; F25D 17/042; F25D  
2325/021

**DESCRIPTION**

FIG. 1 is a top, front, right perspective view of an ice pack showing our new design;  
FIG. 2 is a front view thereof;  
FIG. 3 is a rear view thereof;  
FIG. 4 is a right side view thereof;  
FIG. 5 is a left side view thereof;  
FIG. 6 is a top view thereof; and,  
FIG. 7 is a bottom view thereof.  
The broken lines immediately adjacent to the shaded area represent unclaimed boundaries of the design. The broken lines showing the remainder of the ice pack are for environmental purposes only and form no part of the claimed design.

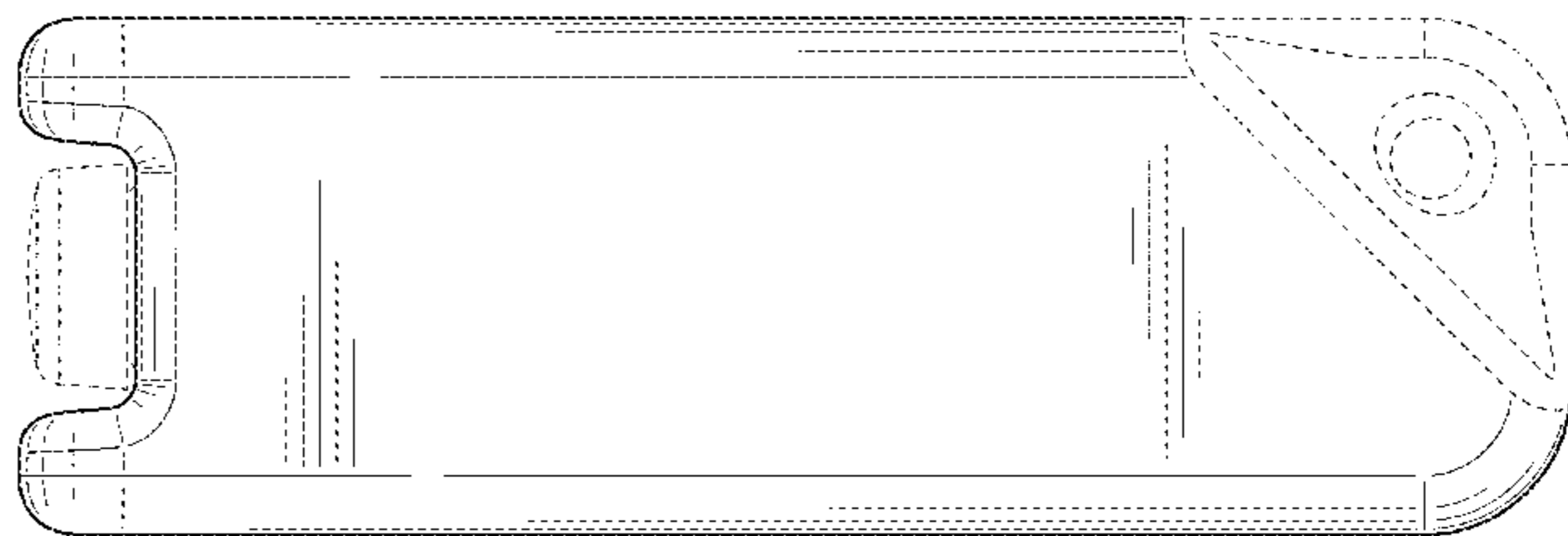
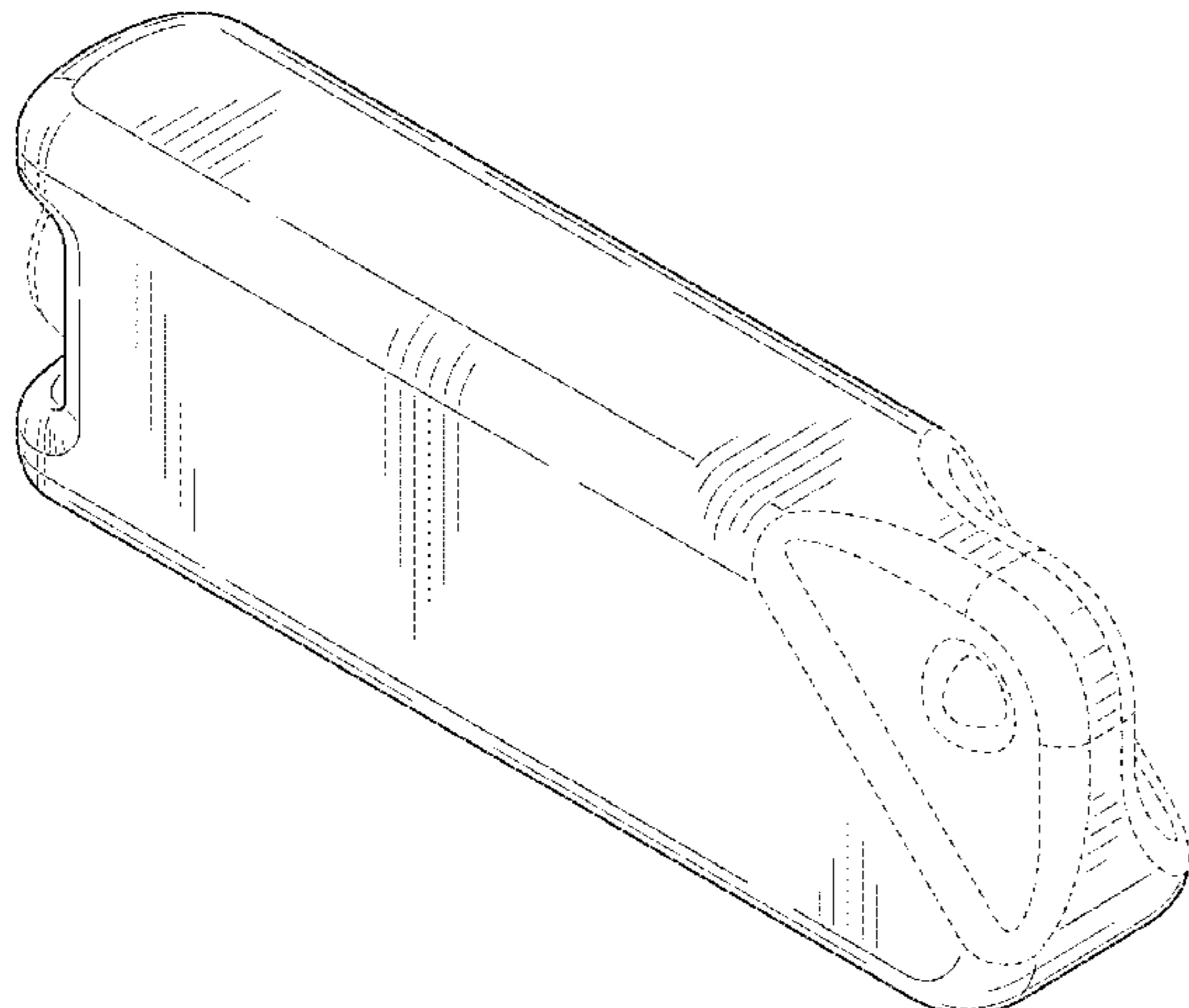
See application file for complete search history.

(56) **References Cited**

**U.S. PATENT DOCUMENTS**

D267,544 S \* 1/1983 Neto ..... D9/414  
D285,413 S \* 9/1986 Carlson ..... D7/703

**1 Claim, 3 Drawing Sheets**



(56)

**References Cited**

U.S. PATENT DOCUMENTS

D474,209	S	*	5/2003	Seymour	.....	D15/79
D482,373	S	*	11/2003	Seymour	.....	D15/79
D691,182	S	*	10/2013	Chiorazzi	.....	D15/90
D711,945	S	*	8/2014	Garg	.....	D15/90
D741,919	S	*	10/2015	Seiders	.....	D15/90
D741,920	S	*	10/2015	Seiders	.....	D15/90
D750,498	S	*	3/2016	Sezanayev	.....	D9/445
D754,545	S	*	4/2016	Sezanayev	.....	D9/445
D762,747	S	*	8/2016	Glass	.....	D15/90
2009/0048650	A1	*	2/2009	Junkins	.....	A61F 7/103 607/112

OTHER PUBLICATIONS

<https://www.amazon.com/Yeti-ICE-11b-Substitute-pack/dp/B01C7Y5DVC/>—Available as early as Apr. 15, 2016.\*  
<https://www.amazon.com/Ice-Packs-Pcs-Reusable-Colorful/dp/B00GWDYD48/>—Available as early as Nov. 25, 2013.\*

\* cited by examiner

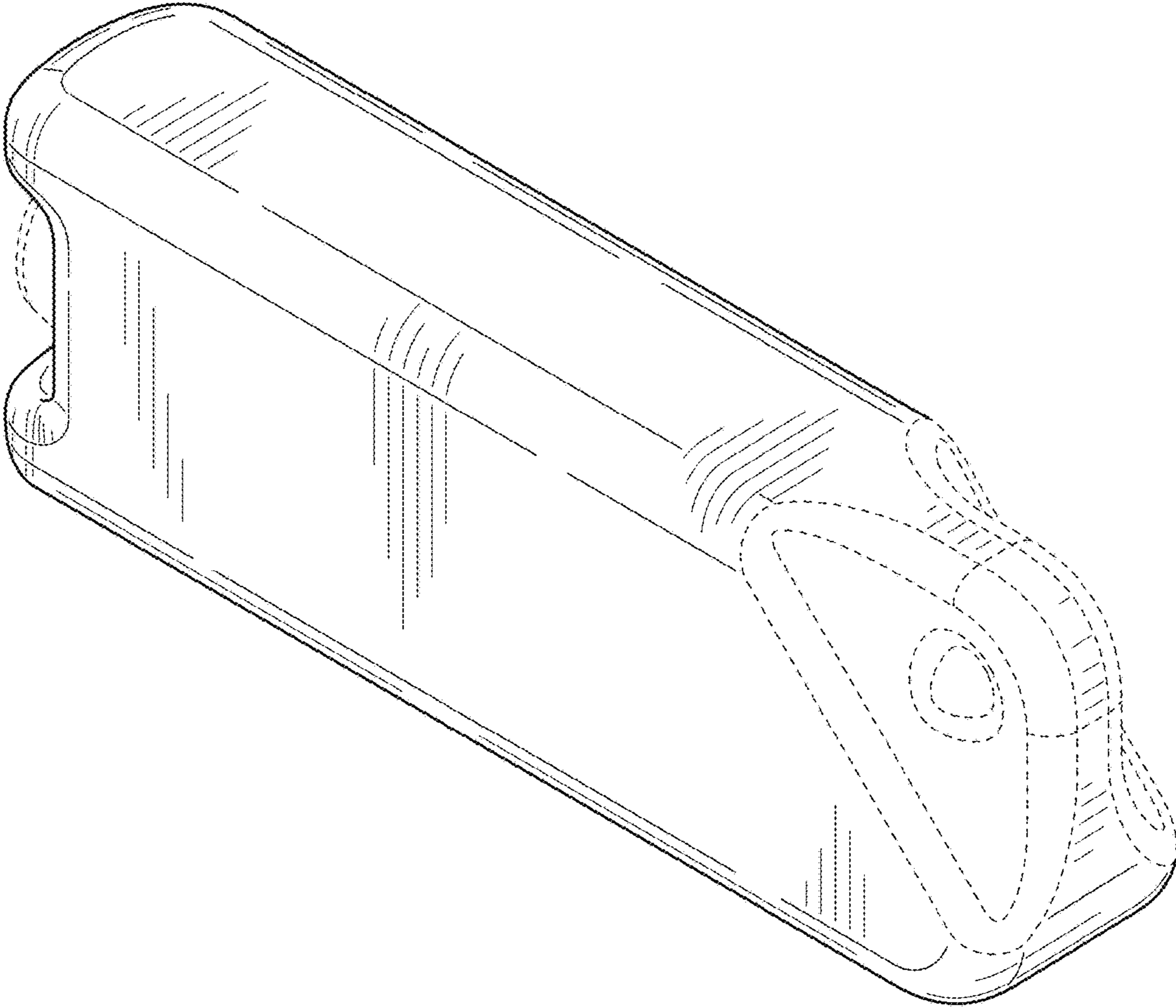


FIG. 1

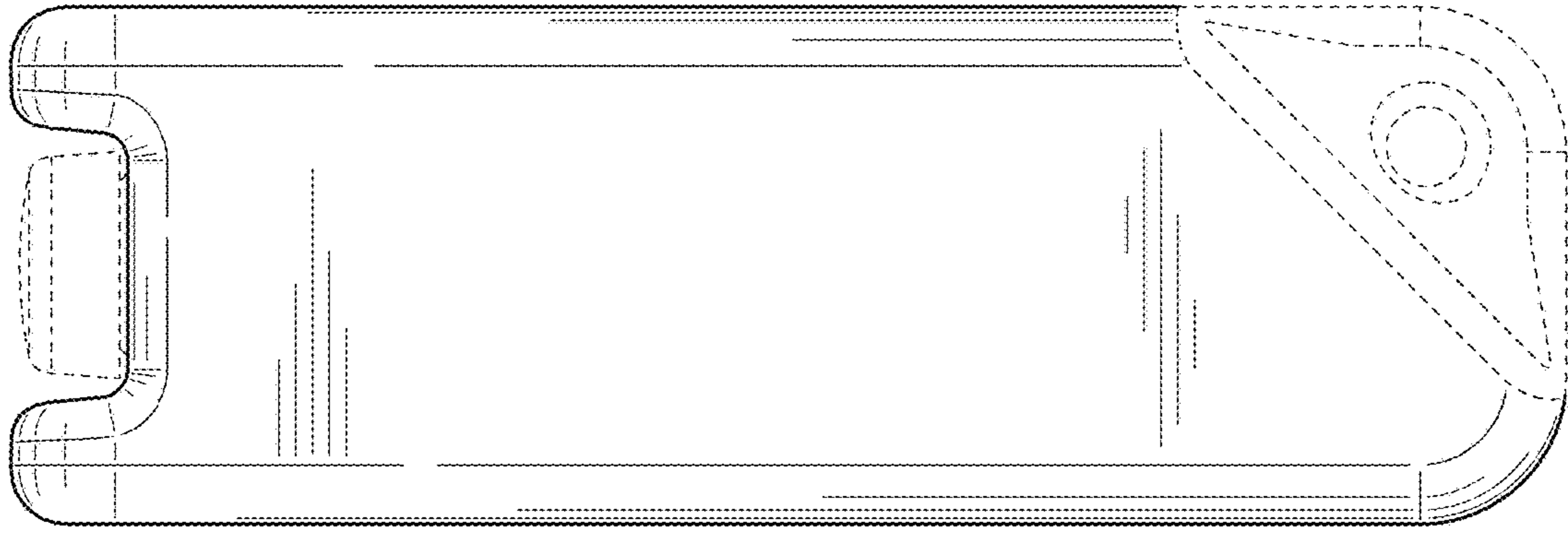


FIG. 2

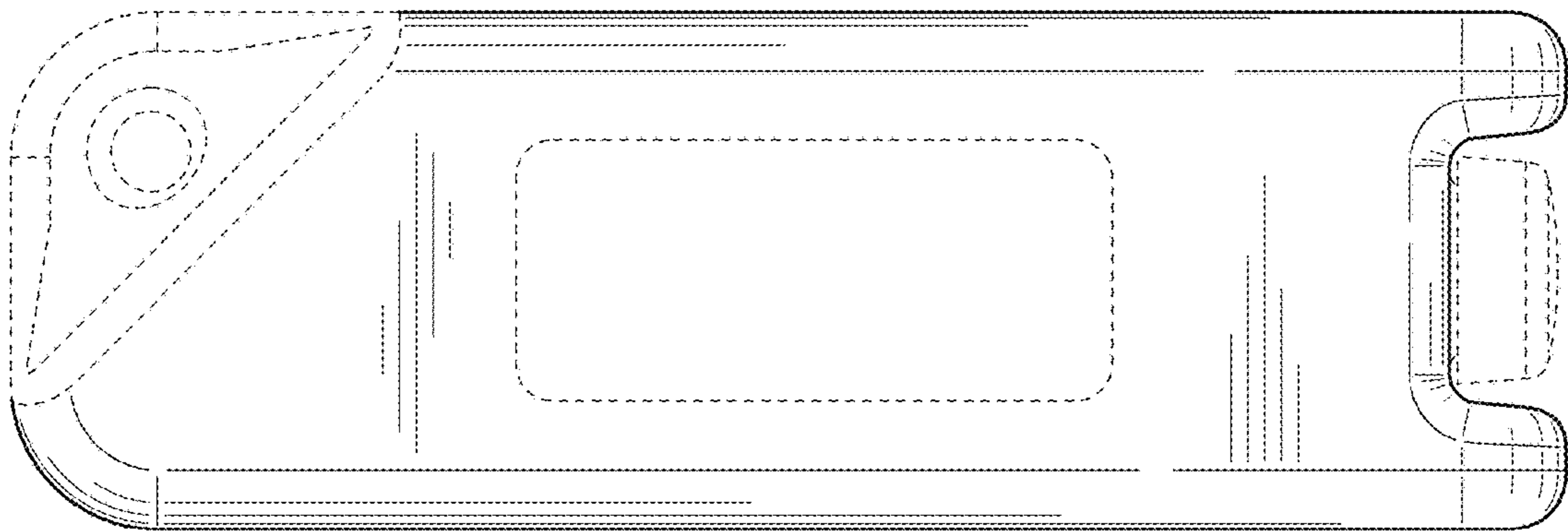


FIG. 3

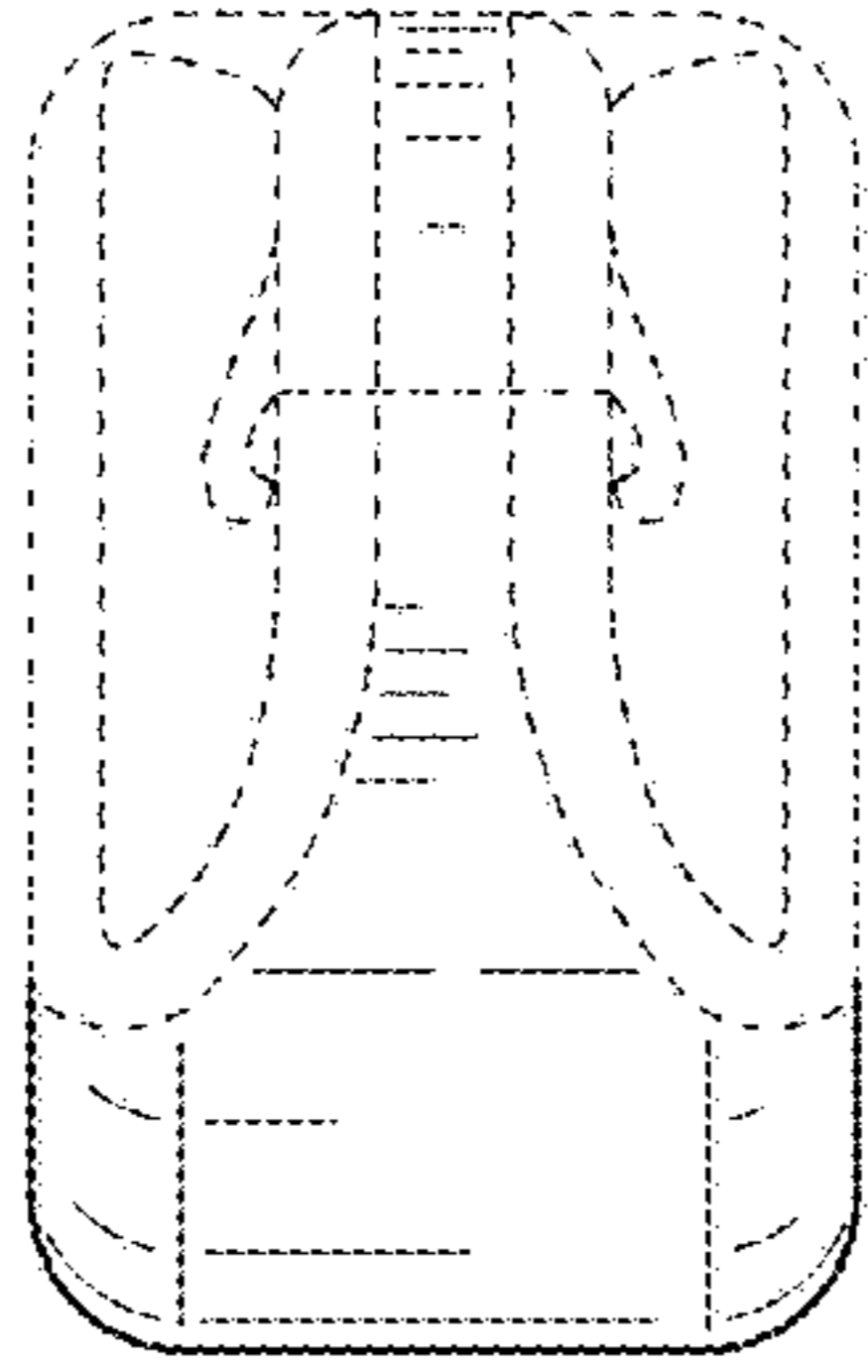


FIG. 4

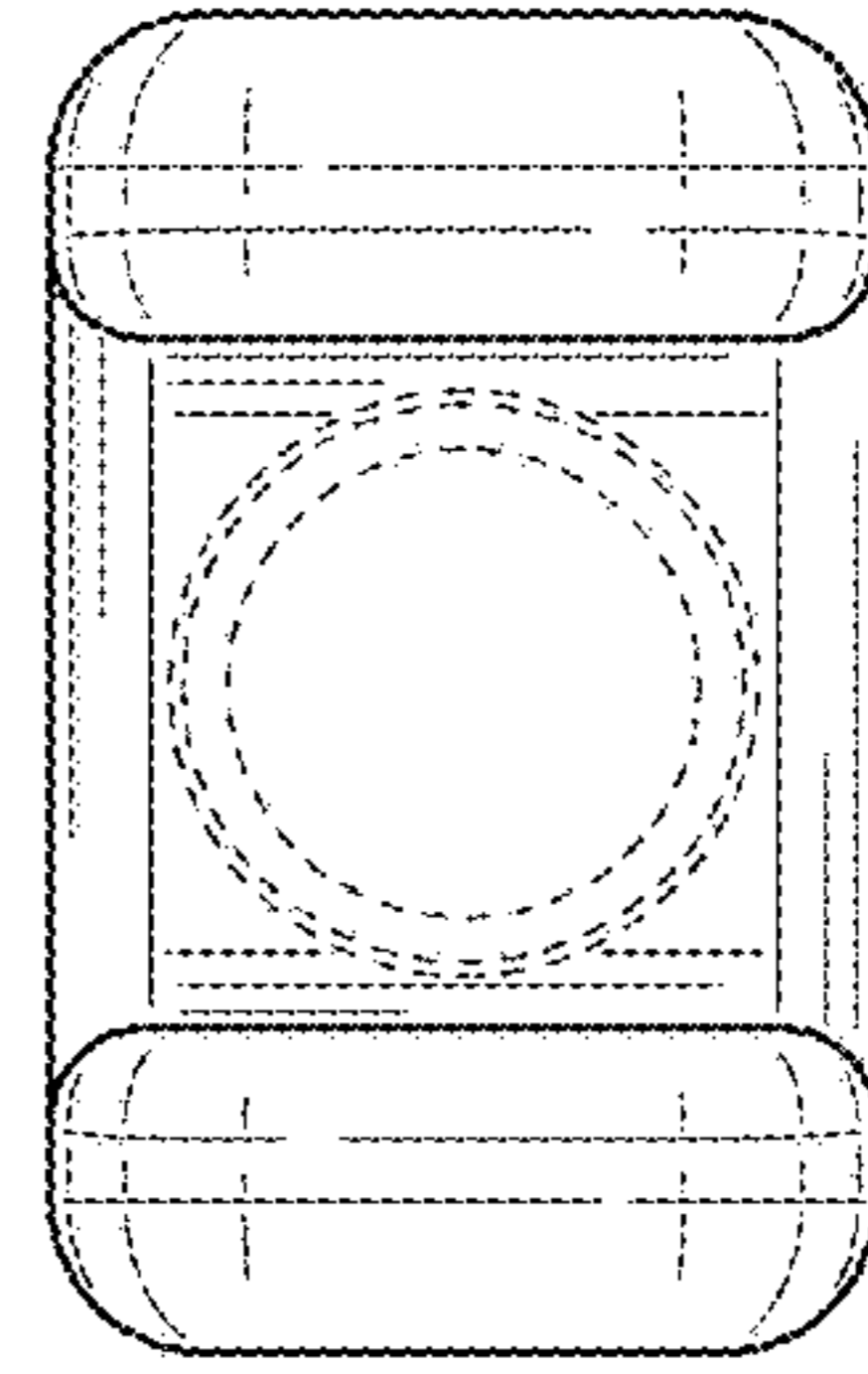


FIG. 5

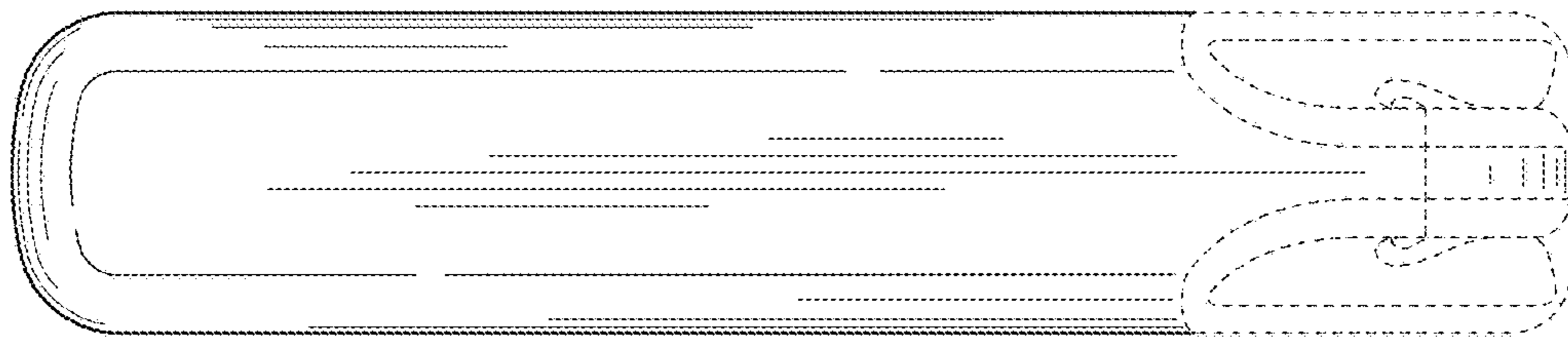


FIG. 6

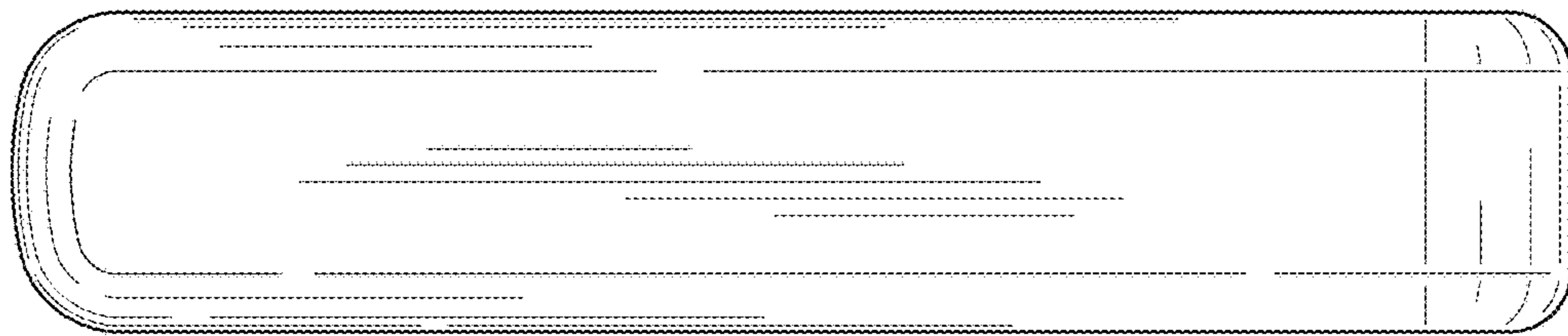


FIG. 7