

US00D795312S

(12) **United States Design Patent** (10) **Patent No.:** **US D795,312 S**
Shoemaker et al. (45) **Date of Patent:** **** Aug. 22, 2017**

(54) **REFRIGERATOR DISPENSER**

(71) Applicant: **Sears Brands, L.L.C.**, Hoffman Estates, IL (US)

(72) Inventors: **Anthony Shoemaker**, Bartlett, IL (US); **Anthony Ogg**, Northvale, NJ (US); **Jae Sang Lee**, Ridgefield, NJ (US)

(73) Assignee: **SEARS BRANDS, L.L.C.**, Hoffman Estates, IL (US)

(**) Term: **15 Years**

(21) Appl. No.: **29/571,792**

(22) Filed: **Jul. 21, 2016**

F25D 2700/16; F25D 17/02; F25D 2317/043; F25D 23/003; F25D 23/065; F25D 2700/123; F25D 2317/061; F25D 23/069; F25D 23/087; F25D 11/006
See application file for complete search history.

(56) **References Cited**

U.S. PATENT DOCUMENTS

D365,579 S	12/1995	Baker et al.	
D568,913 S	5/2008	Suh et al.	
D582,443 S	12/2008	Kim et al.	
D697,537 S	1/2014	Seo et al.	
D754,220 S *	4/2016	Seo	D15/89
D754,760 S *	4/2016	Seo	D15/89
D757,128 S *	5/2016	Seo	D15/89

(Continued)

Related U.S. Application Data

(63) Continuation of application No. 29/528,305, filed on May 28, 2015, now abandoned.

(51) **LOC (10) Cl.** **15-07**

(52) **U.S. Cl.**
USPC **D15/89**

(58) **Field of Classification Search**
USPC D15/79-91

CPC F25D 27/00; F25D 2323/021; F25D 23/00; F25D 23/02; F25D 2400/361; F25D 2500/06; F25D 25/025; F25D 29/00; F25D 29/005; F25D 11/00; F25D 11/02; F25D 17/062; F25D 17/067; F25D 17/08; F25D 21/04; F25D 2201/10; F25D 2300/00; F25D 23/021; F25D 2325/021; F25D 11/022; F25D 17/065; F25D 23/028; F25D 23/067; F25D 2700/02; F25D 11/025; F25D 17/042; F25D 23/04; F25D 23/10; F25D 25/04; F25D 15/00; F25D 17/045; F25D 2400/36; F25D 11/027; F25D 23/062; F25D 23/12; F25D 2400/02; F25D 2400/40; F25D 25/02; F25D 25/024; F25D 2600/00; F25D 2700/00; F25D 2700/06; F25D 2700/08;

Primary Examiner — Ian Simmons

Assistant Examiner — Khawaja Anwar

(74) *Attorney, Agent, or Firm* — McAndrews, Held & Malloy, Ltd.

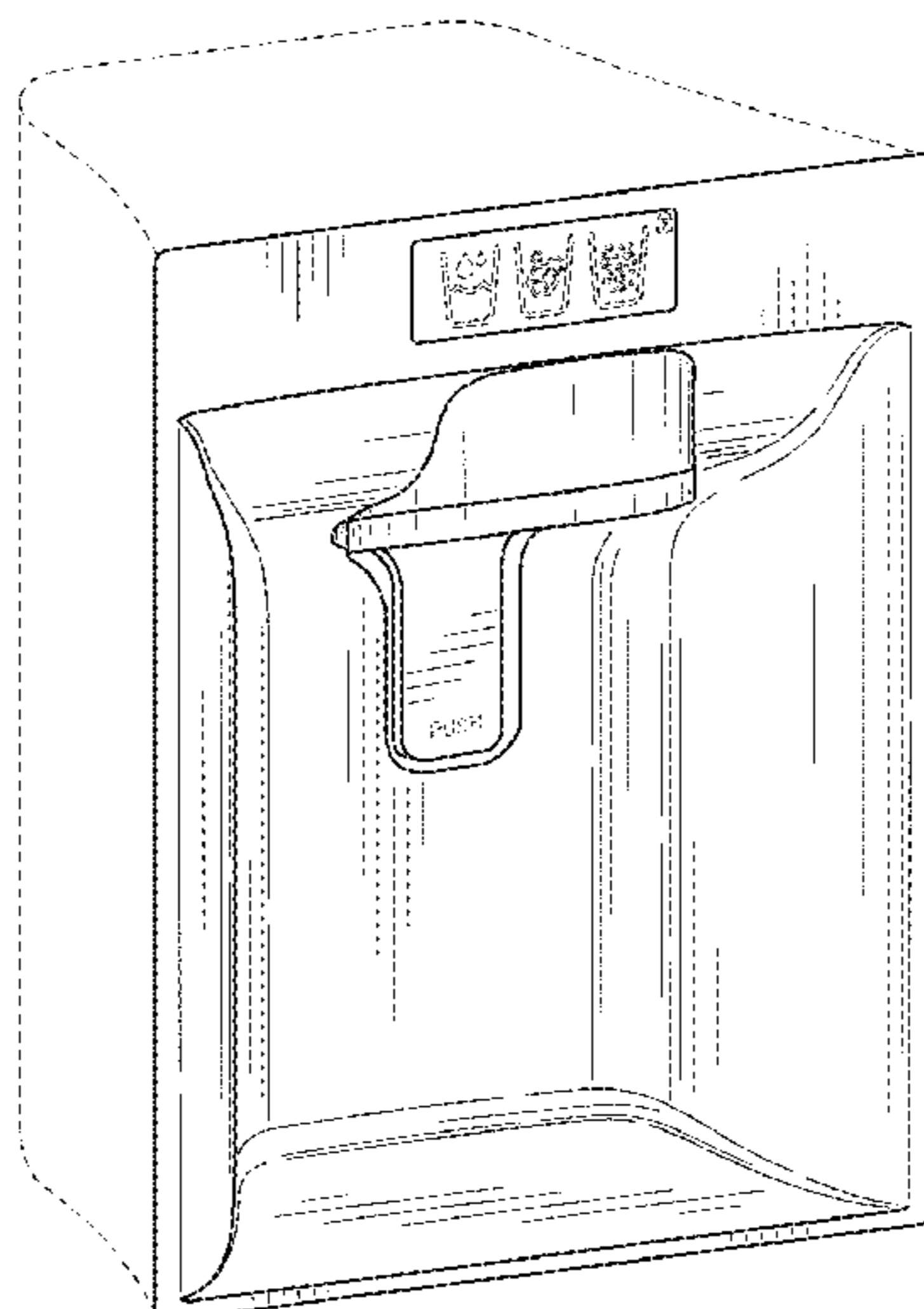
(57) **CLAIM**

The ornamental design for a refrigerator dispenser, as shown and described.

DESCRIPTION

FIG. 1 is a top front perspective view of a refrigerator dispenser showing our new design; FIG. 2 is a front view thereof; FIG. 3 is a right-side elevation view thereof; FIG. 4 is a left-side elevation view thereof; FIG. 5 is a top plan view thereof; FIG. 6 is a bottom plan view thereof; FIG. 7 is a bottom front perspective view thereof; and, FIG. 8 is another top, left, front perspective view thereof, showing an environment in use. The dashed broken lines in the drawings illustrate environment and portions of the refrigerator dispenser that form no part of the claimed design.

1 Claim, 4 Drawing Sheets



(56)

References Cited

U.S. PATENT DOCUMENTS

D759,131	S	*	6/2016	Ogg	D15/89
D761,886	S	*	7/2016	Seo	D15/89
D761,887	S	*	7/2016	Seo	D15/89
D761,888	S	*	7/2016	Seo	D15/89
D761,889	S	*	7/2016	Seo	D15/89
D761,890	S	*	7/2016	Seo	D15/89
D761,891	S	*	7/2016	Seo	D15/89
D762,251	S	*	7/2016	Seo	D15/89
D763,329	S	*	8/2016	Seo	D15/89
D765,152	S	*	8/2016	Shrader	D15/89
D765,153	S	*	8/2016	Shrader	D15/89
2005/0268624	A1		12/2005	Voglewede et al.		

* cited by examiner

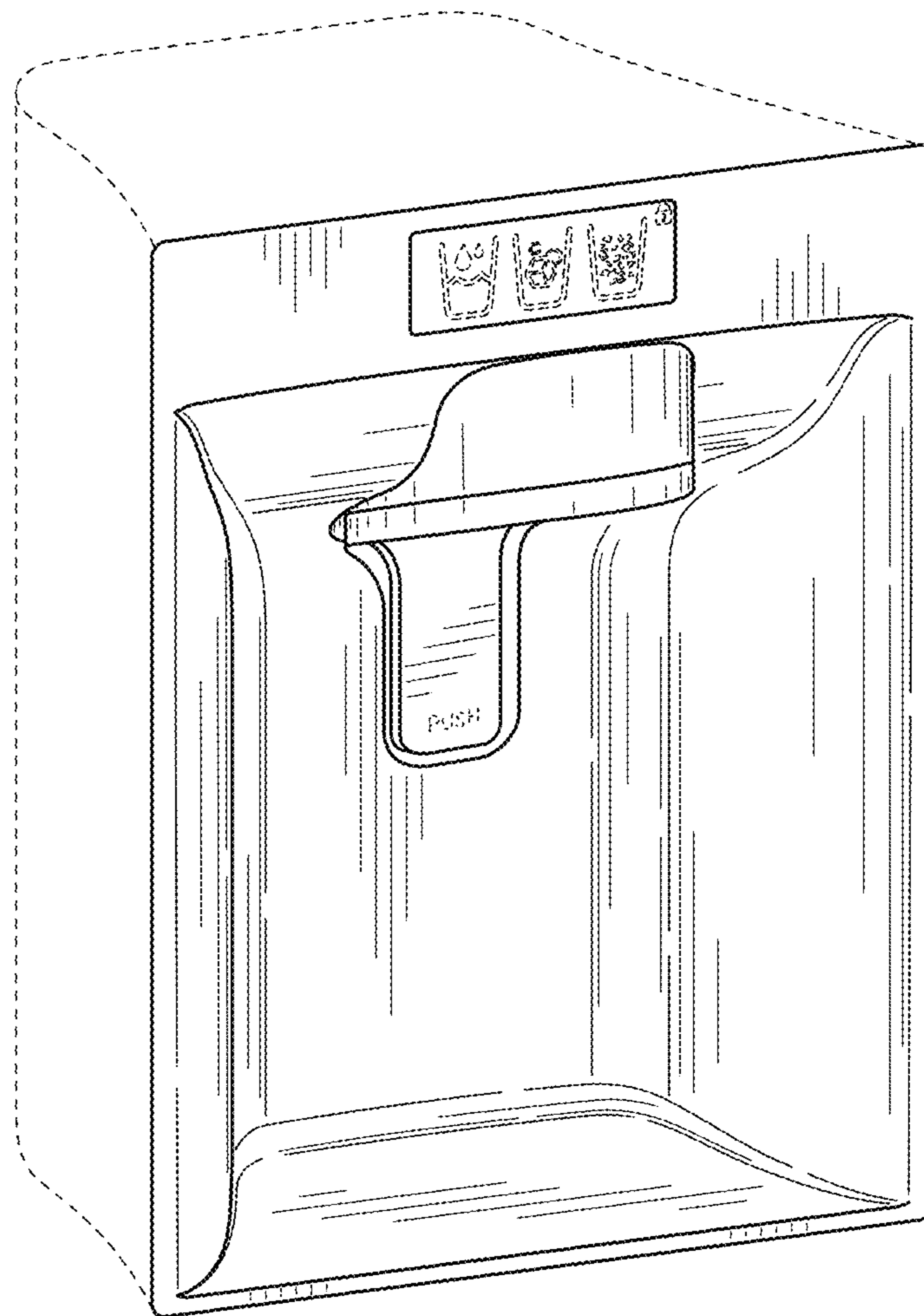


FIG. 1

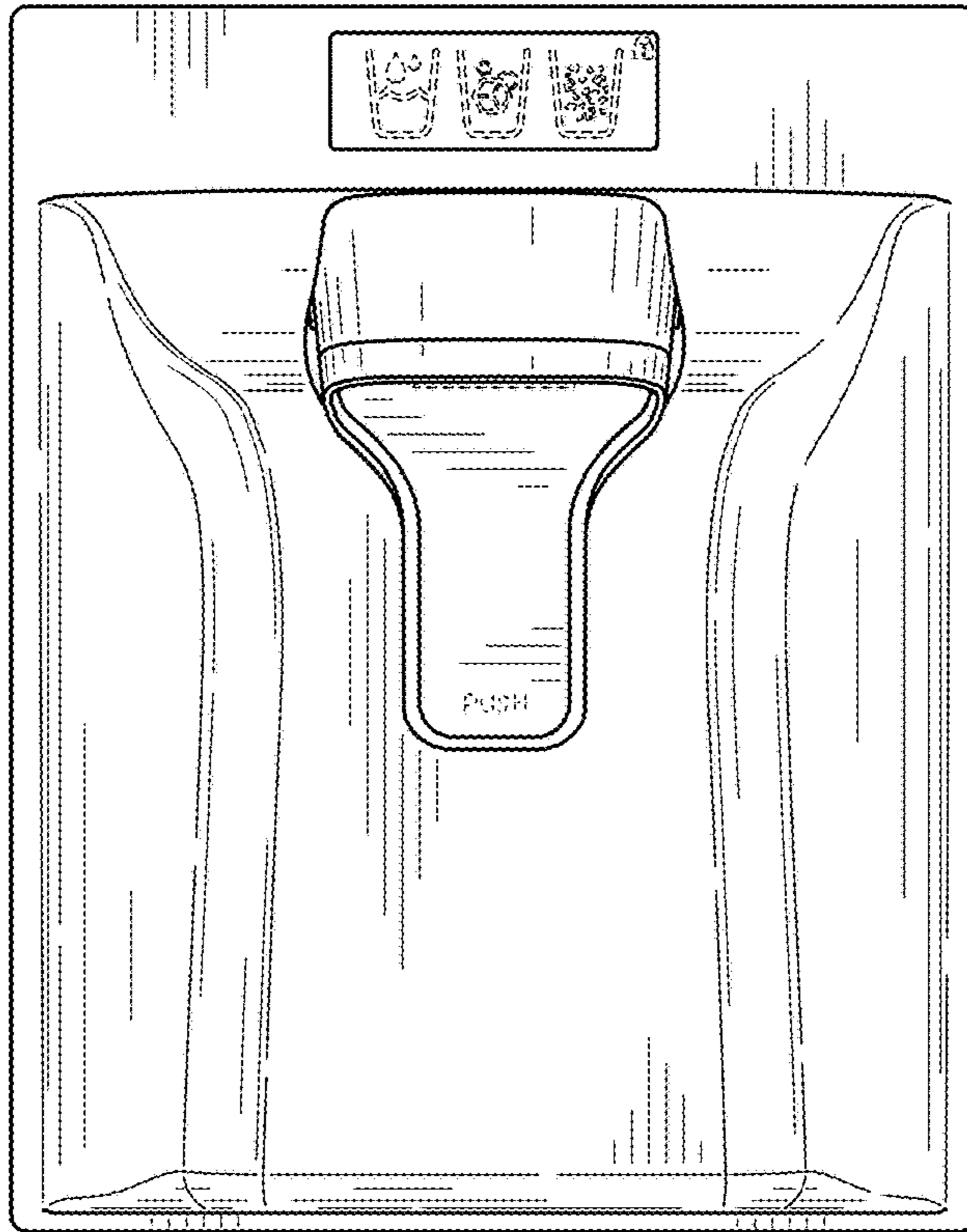


FIG. 2

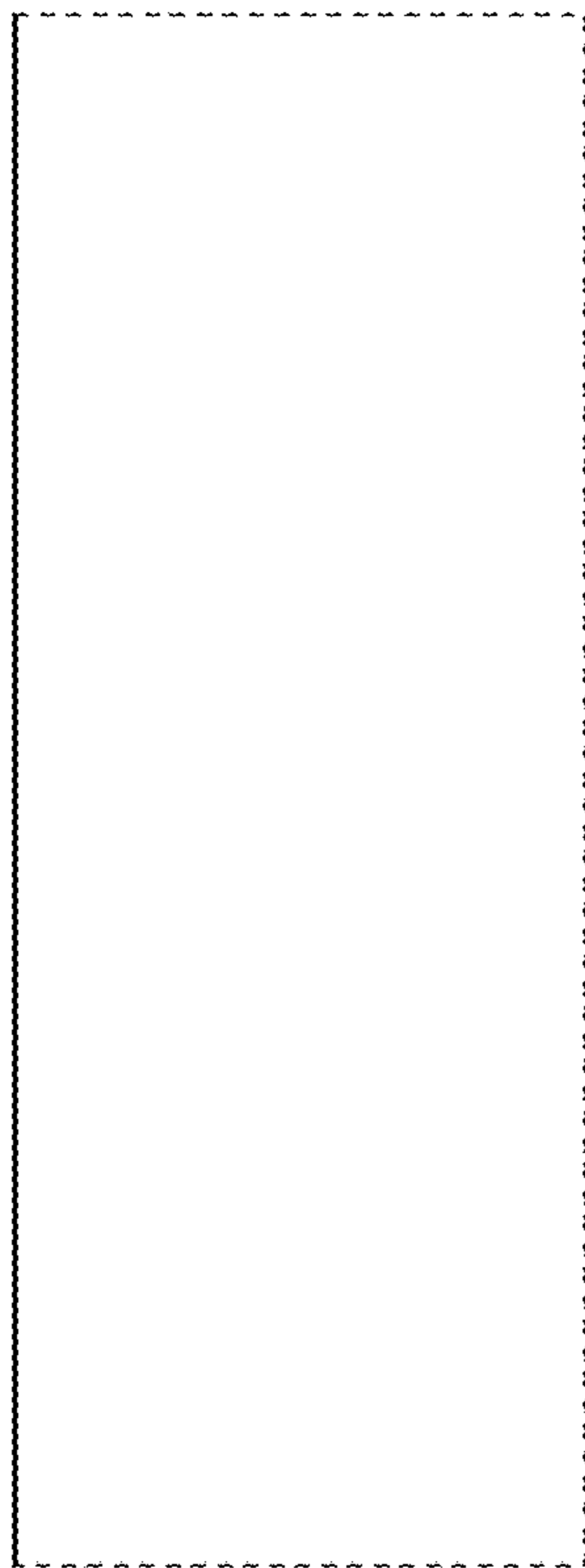


FIG. 3

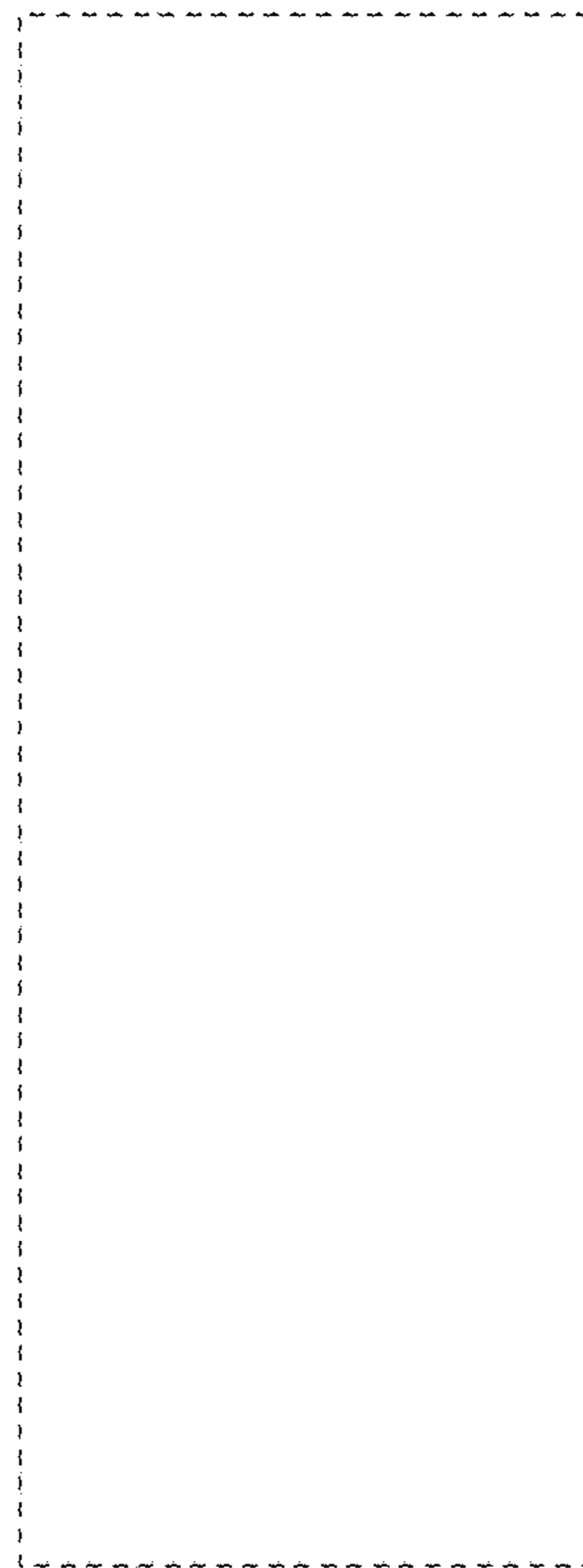


FIG. 4

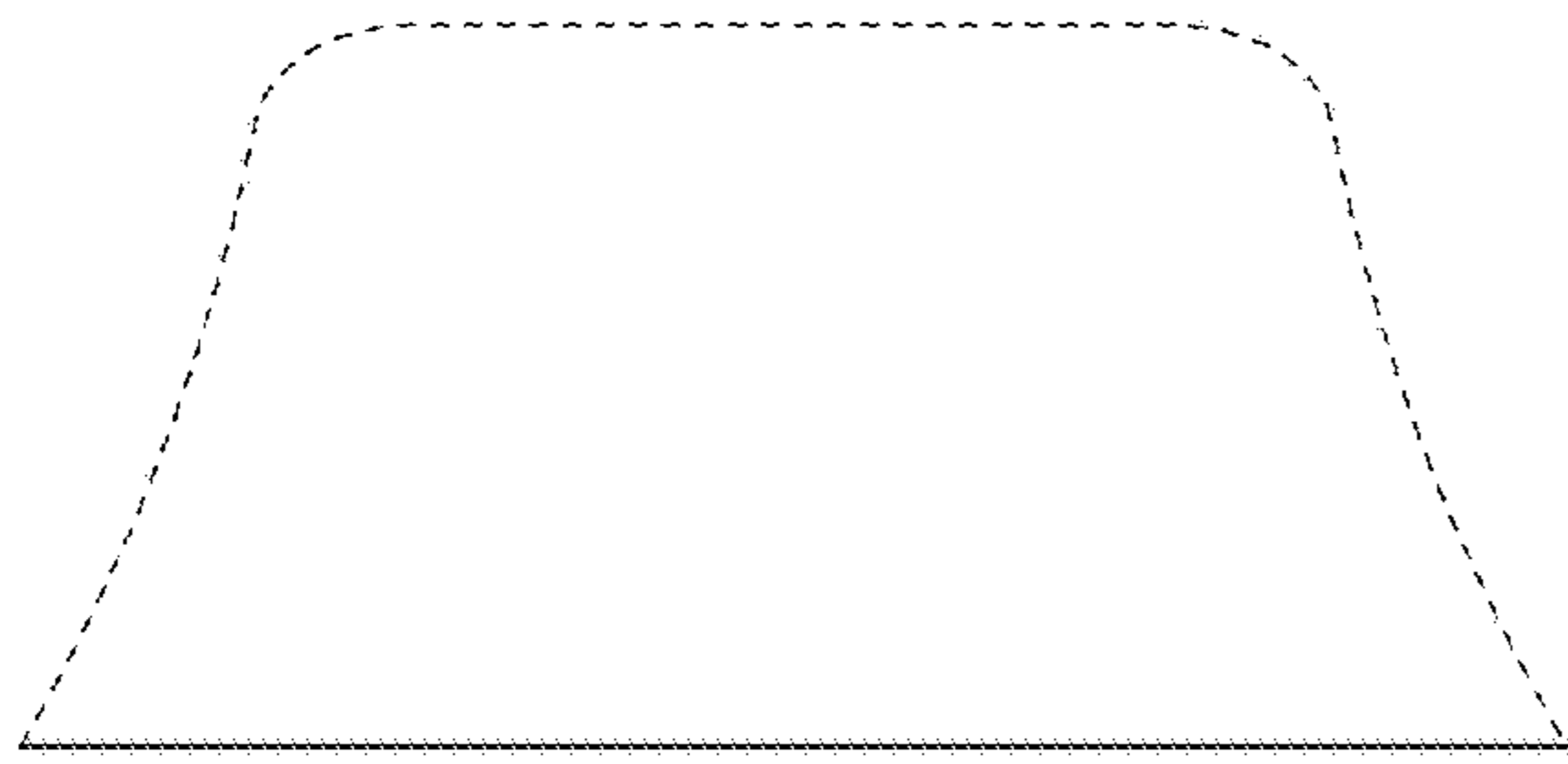


FIG. 5

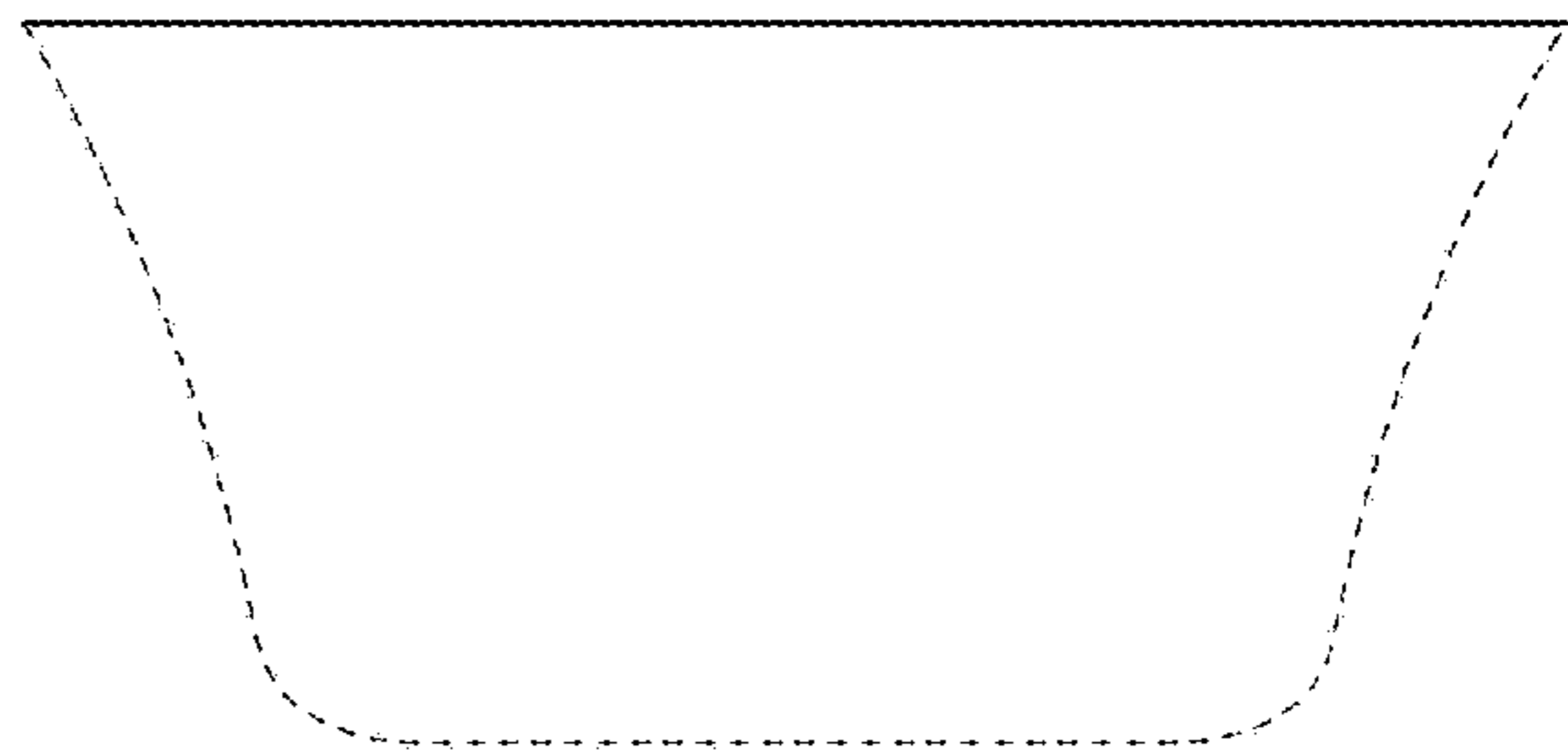


FIG. 6

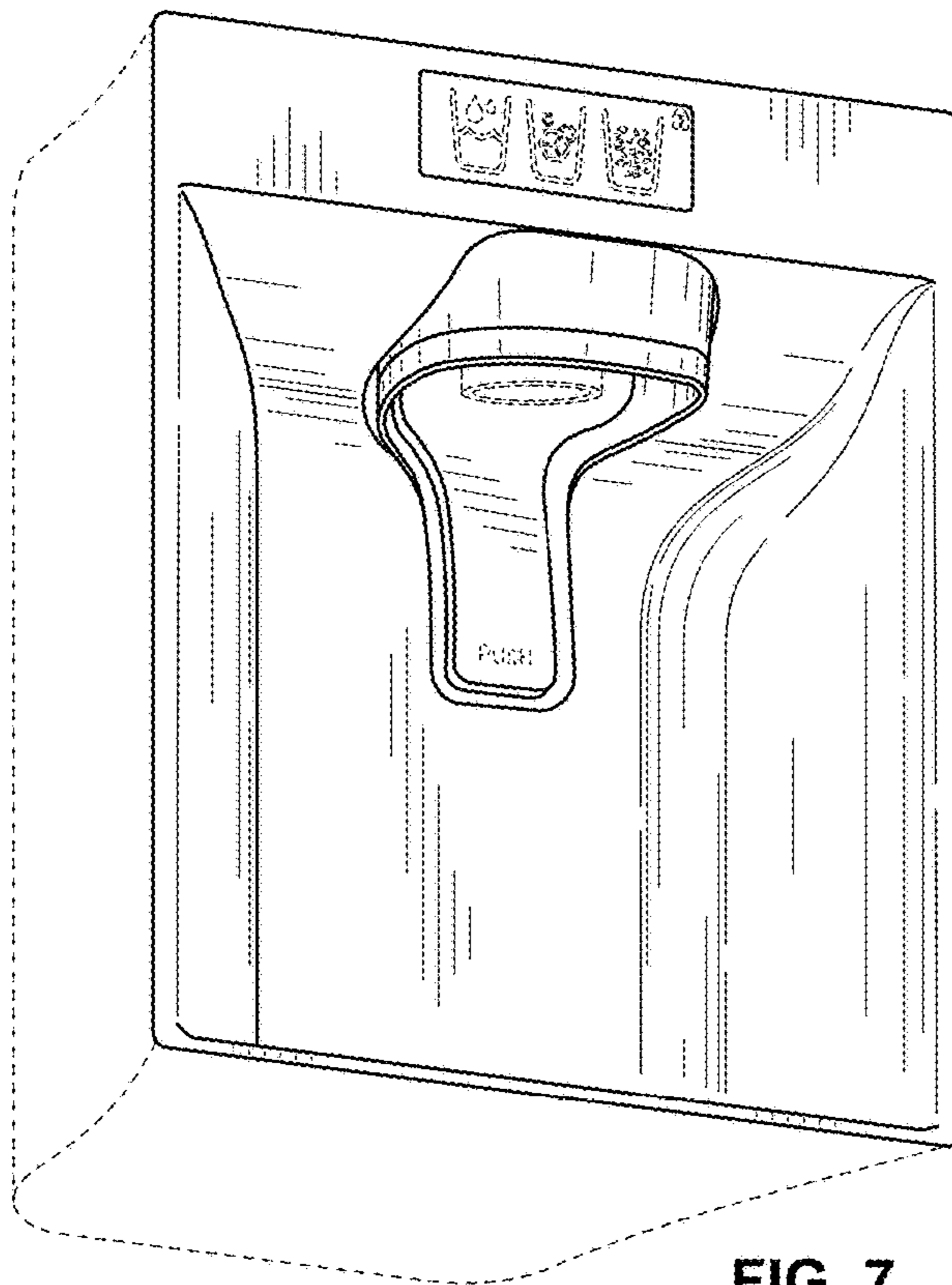


FIG. 7

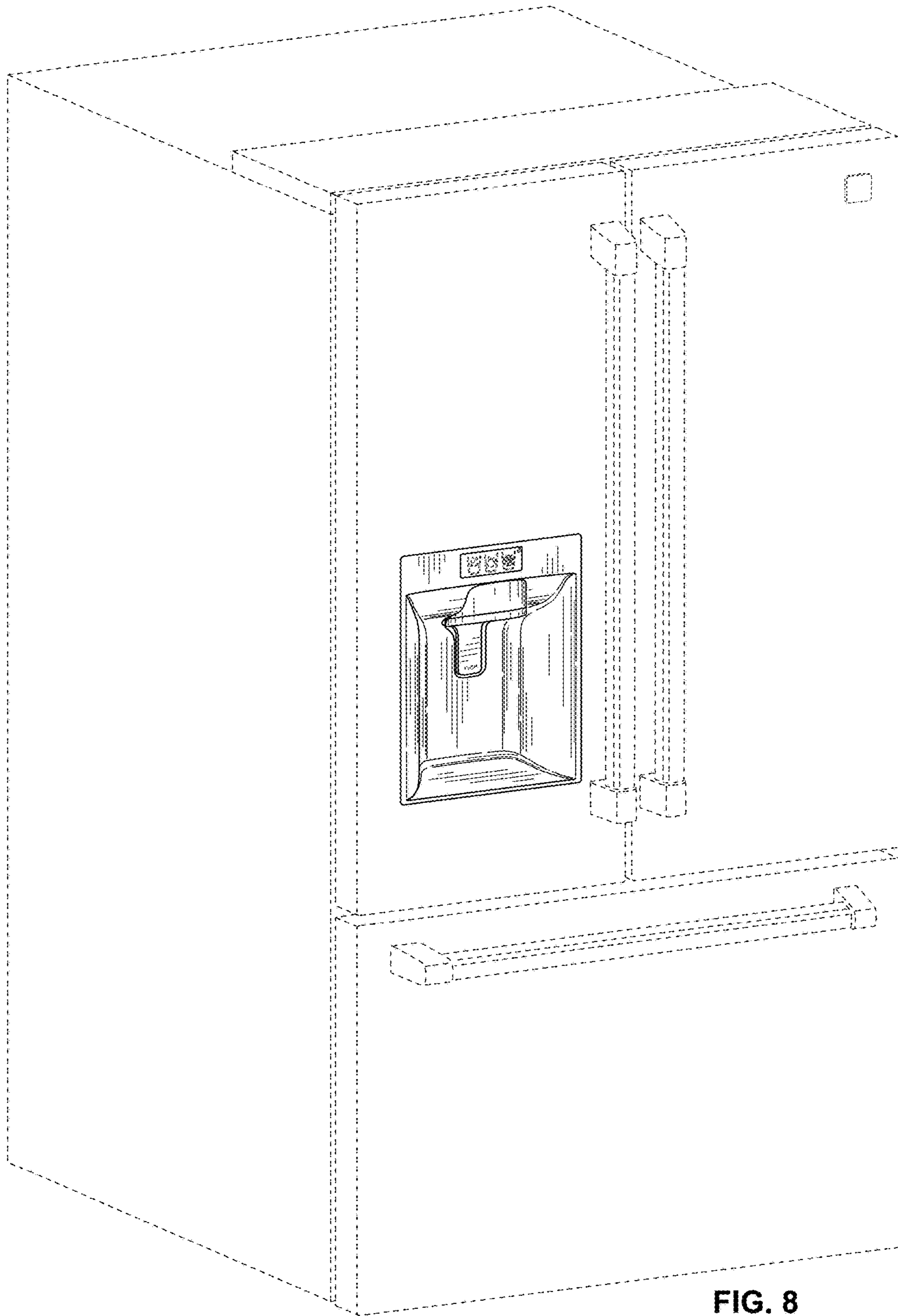


FIG. 8