



US00D795311S

(12) **United States Design Patent** (10) **Patent No.:** **US D795,311 S**
Kraemer (45) **Date of Patent:** **** Aug. 22, 2017**

- (54) **BIN**
- (71) Applicant: **InterDesign, Inc.**, Solon, OH (US)
- (72) Inventor: **Kevin Francis Kraemer**, Cuyahoga Falls, OH (US)
- (73) Assignee: **InterDesign, Inc.**, Solon, OH (US)
- (**) Term: **14 Years**
- (21) Appl. No.: **29/480,632**
- (22) Filed: **Jan. 28, 2014**
- (51) **LOC (10) Cl.** **15-07**
- (52) **U.S. Cl.**
USPC **D15/89**; D3/304
- (58) **Field of Classification Search**
USPC D15/79, 89, 90; D7/501, 550.1, 552.2, D7/554.2, 584, 311, 600.1, 600.2, 600.3, D7/603, 608, 610, 624.1, 624.2, 323, 326, D7/327, 338, 354, 355, 362, 363, 365, D7/366, 367, 387, 388, 396.6, 397, 401.1, D7/401.2, 402.403, 404, 407, 408; D3/20, 304-313; D8/1, 373-375; D9/414, 428, 424, 434, 444, 454, 455; D11/130.1, 143, 144, 152; D19/75, 77; 47/39; 211/77, 78, 131.1, 144, 163; 248/131, 349.1, 346.11, 346.5; 62/381; 220/574, 573.3, 4.26, 4.27, 475, 600, 623, 220/628, 629, 630, 631, 636, 638, 729, 220/DIG. 18; 108/22, 94, 95, 103-105, 108/139, 143
CPC A47B 11/00; A47B 2200/02; A47B 49/00; A47B 49/004; A47F 5/02; A47G 19/08; A47G 19/12; A47G 19/2283; A47G 23/00; A47G 23/03; A47G 23/0316; A47G 23/08; A47G 7/041; B65D 1/34; F16M 11/08; F24C 15/16; F25D 2400/08; F25D 2400/10; F25D 2325/00; F25D 2325/023; F25D 25/005; F25D 25/02;

F25D 25/022; F25D 25/027; F25D 2331/80; F25D 2331/812; C12M 23/10
See application file for complete search history.

(56) **References Cited**

U.S. PATENT DOCUMENTS

229,467	A *	6/1880	Remhoff	248/346.11
846,948	A *	3/1907	Richter	108/139
1,687,149	A *	10/1928	Shauer et al.	108/94
1,941,906	A *	1/1934	Marinsky	312/305
2,058,002	A *	10/1936	Daum	211/77
D118,238	S *	12/1939	Klusmeyer	D7/354
2,198,091	A *	4/1940	Rodolfa	108/139

(Continued)

Primary Examiner — Catherine Tuttle

(74) *Attorney, Agent, or Firm* — Calfee, Halter & Griswold, LLP

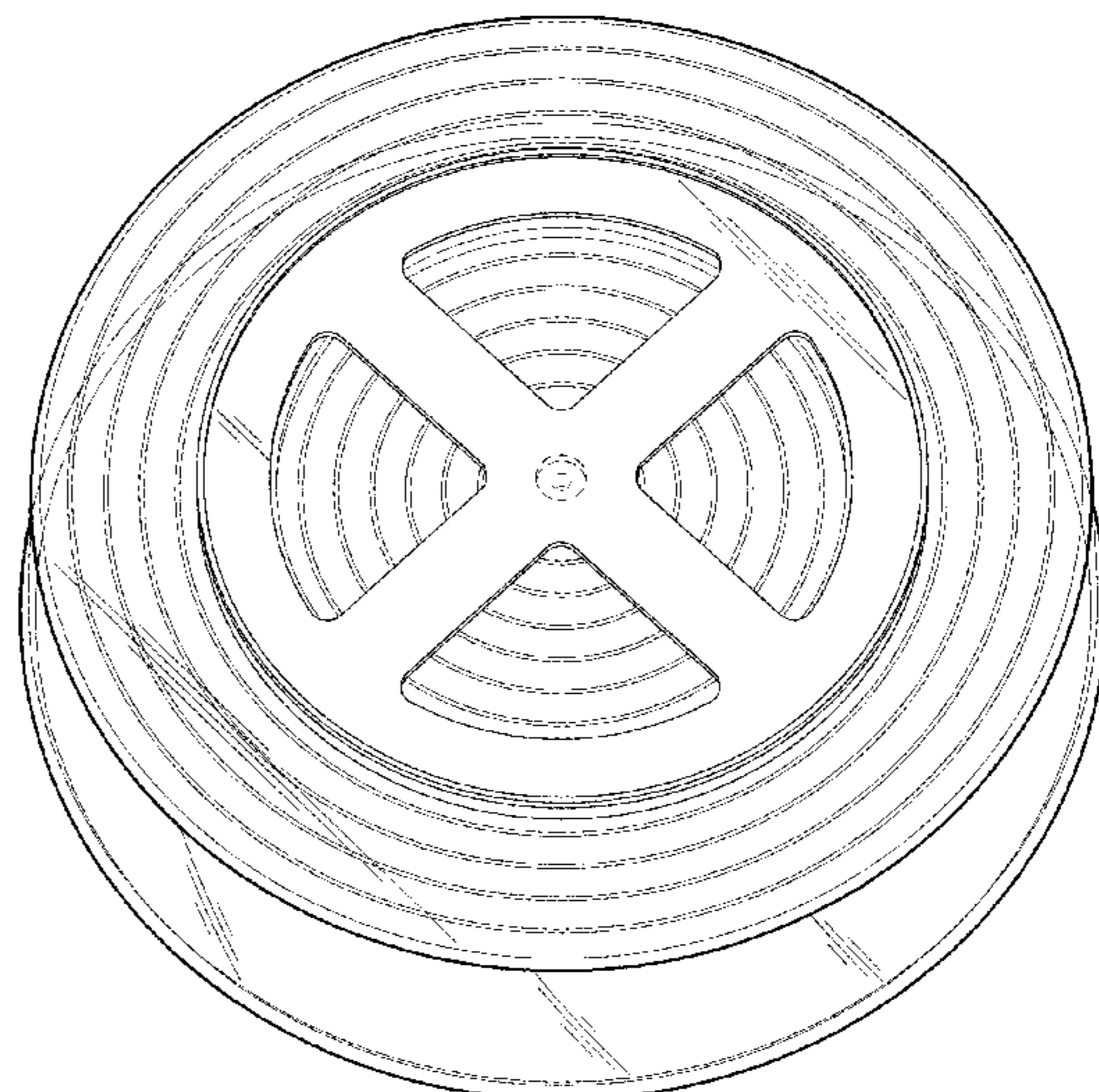
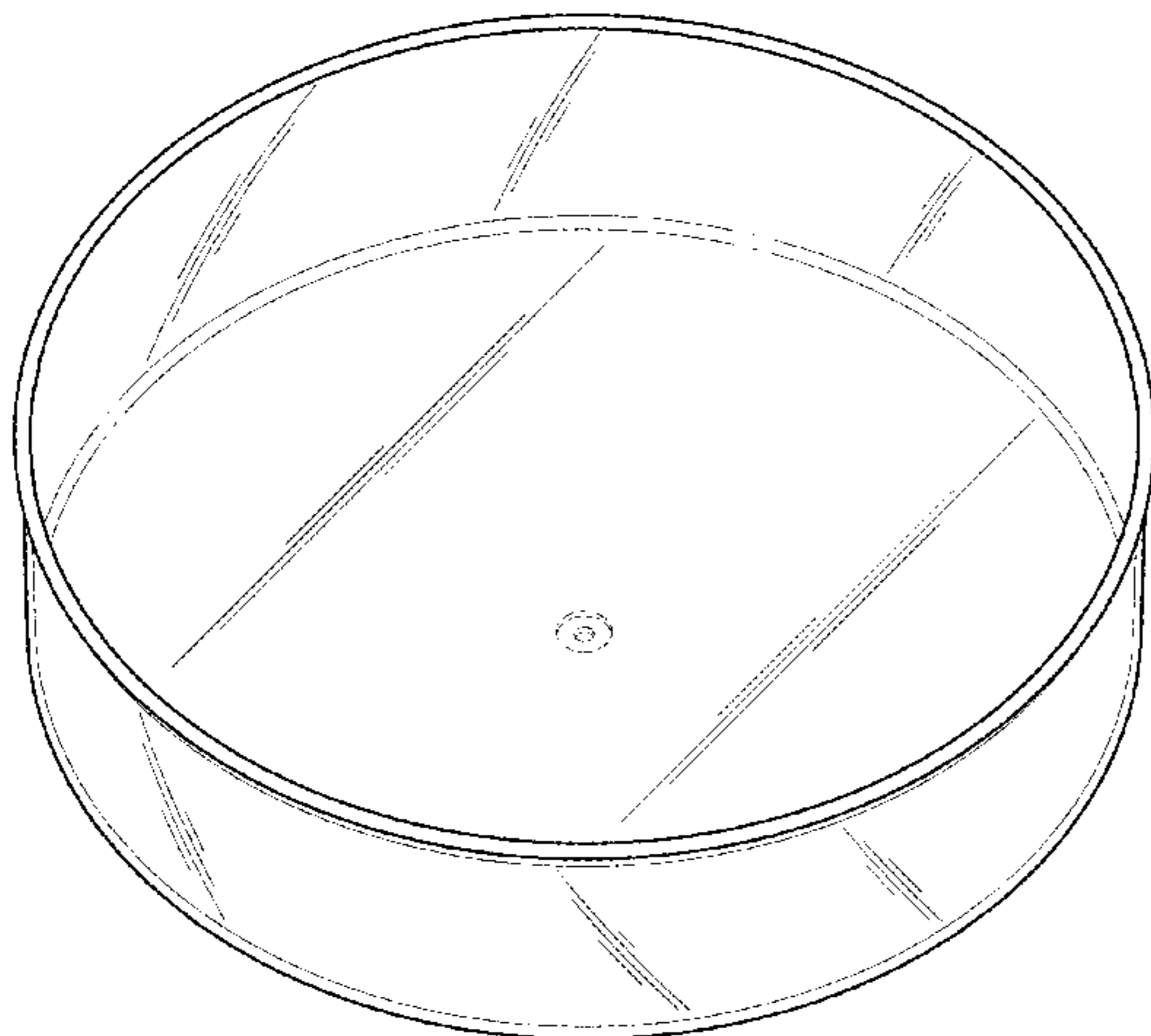
(57) **CLAIM**

I claim the ornamental design for bin, as shown and described.

DESCRIPTION

FIG. 1 is a front/top perspective view of a bin showing my new design, the portions that would be visible behind the transparent surfaces being omitted for a clear disclosure of the surface configuration;
 FIG. 2 is a rear/bottom perspective view thereof;
 FIG. 3 is a front elevational view thereof (the rear view being a mirror image of the side shown);
 FIG. 4 is a right side elevational view thereof (the left side being a mirror image of the side shown);
 FIG. 5 is a top plan view thereof, the portions that would be visible behind the transparent surfaces being omitted for a clear disclosure of the surface configuration; and,
 FIG. 6 is a bottom plan view thereof.
 The outer broken-line circle in FIGS. 1 and 5 represents the bounds of the claimed design, the broken lines in the Figures are for illustrative, environmental purposes only and form no part of the claimed design.

1 Claim, 5 Drawing Sheets



(56)

References Cited

U.S. PATENT DOCUMENTS

2,638,400 A * 5/1953 Spotts 312/305
 2,693,989 A * 11/1954 Santana et al. 312/305
 2,727,645 A * 12/1955 Dore 215/393
 3,540,985 A * 11/1970 Gross C12M 23/10
 435/288.3
 D241,462 S * 9/1976 Criscitiello, Jr. D11/152
 4,191,437 A * 3/1980 Funke 312/305
 4,743,556 A * 5/1988 Ervin C12M 23/10
 435/305.1
 4,945,061 A * 7/1990 Iskander C12M 23/10
 435/305.1
 D312,554 S * 12/1990 Daenen et al. D7/501
 5,277,488 A * 1/1994 Cleary et al. 312/408
 D345,473 S * 3/1994 Grundmann D6/678
 D348,183 S * 6/1994 Sawatsky et al. D7/624.1
 D364,057 S * 11/1995 Bowman D6/705.7
 5,577,823 A * 11/1996 Maglinger 312/404
 5,593,891 A * 1/1997 Banes C12M 23/10
 220/731
 D465,350 S * 11/2002 Byrne D6/407
 6,591,993 B2 * 7/2003 Humphrey 211/85.14
 D565,253 S * 3/2008 Modi D30/129
 D594,270 S * 6/2009 Rae D7/354
 D660,326 S * 5/2012 Allette D15/89
 D685,603 S * 7/2013 Mishan D7/354
 9,052,134 B1 * 6/2015 Batchler
 2003/0196978 A1 * 10/2003 Humphrey 211/163
 2005/0199159 A1 * 9/2005 Searer A47B 49/004
 108/94
 2008/0134551 A1 * 6/2008 Conforti et al. 40/506
 2014/0162352 A1 * 6/2014 Iskander C12M 23/38
 435/305.4

* cited by examiner

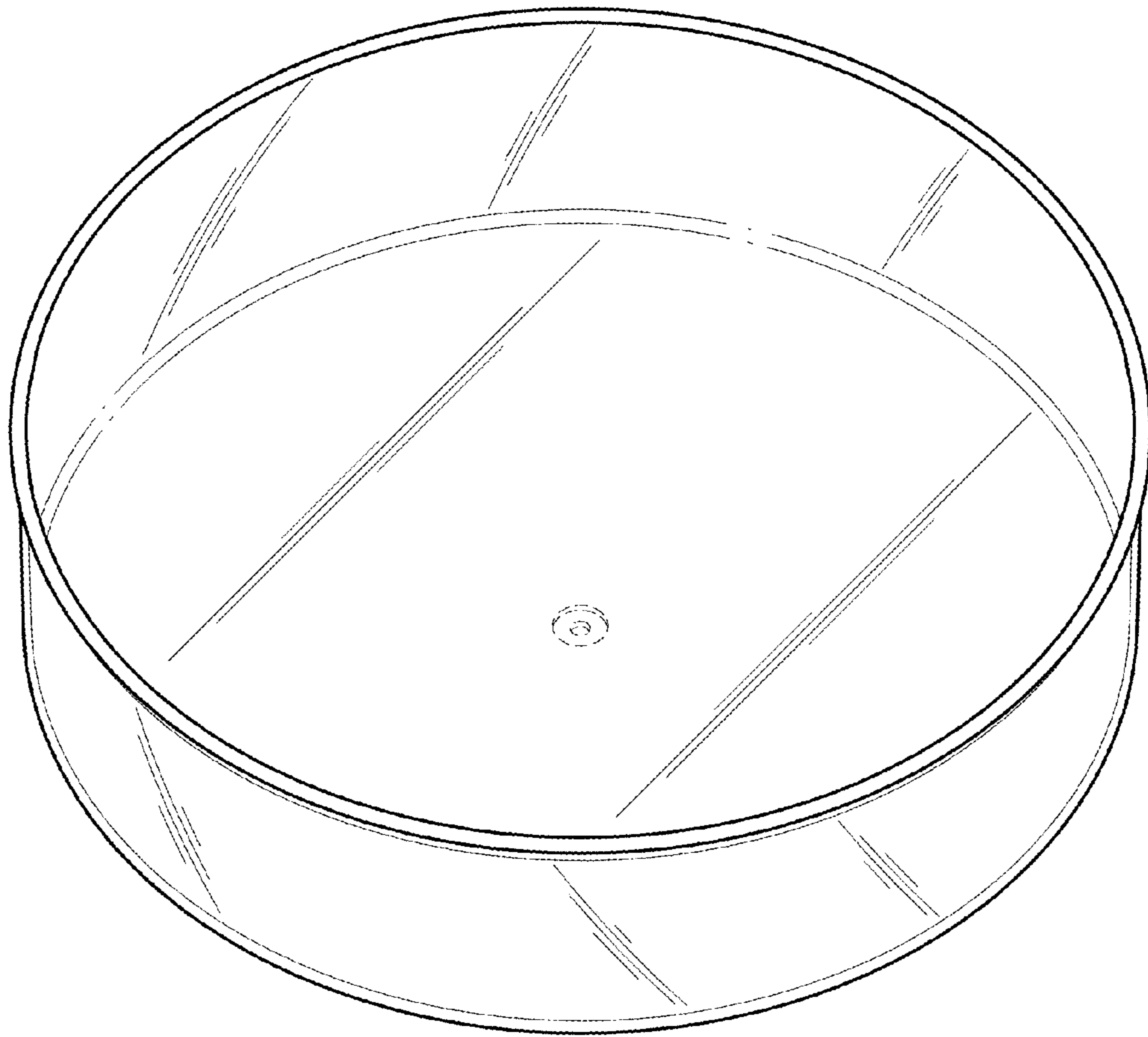


FIG. 1

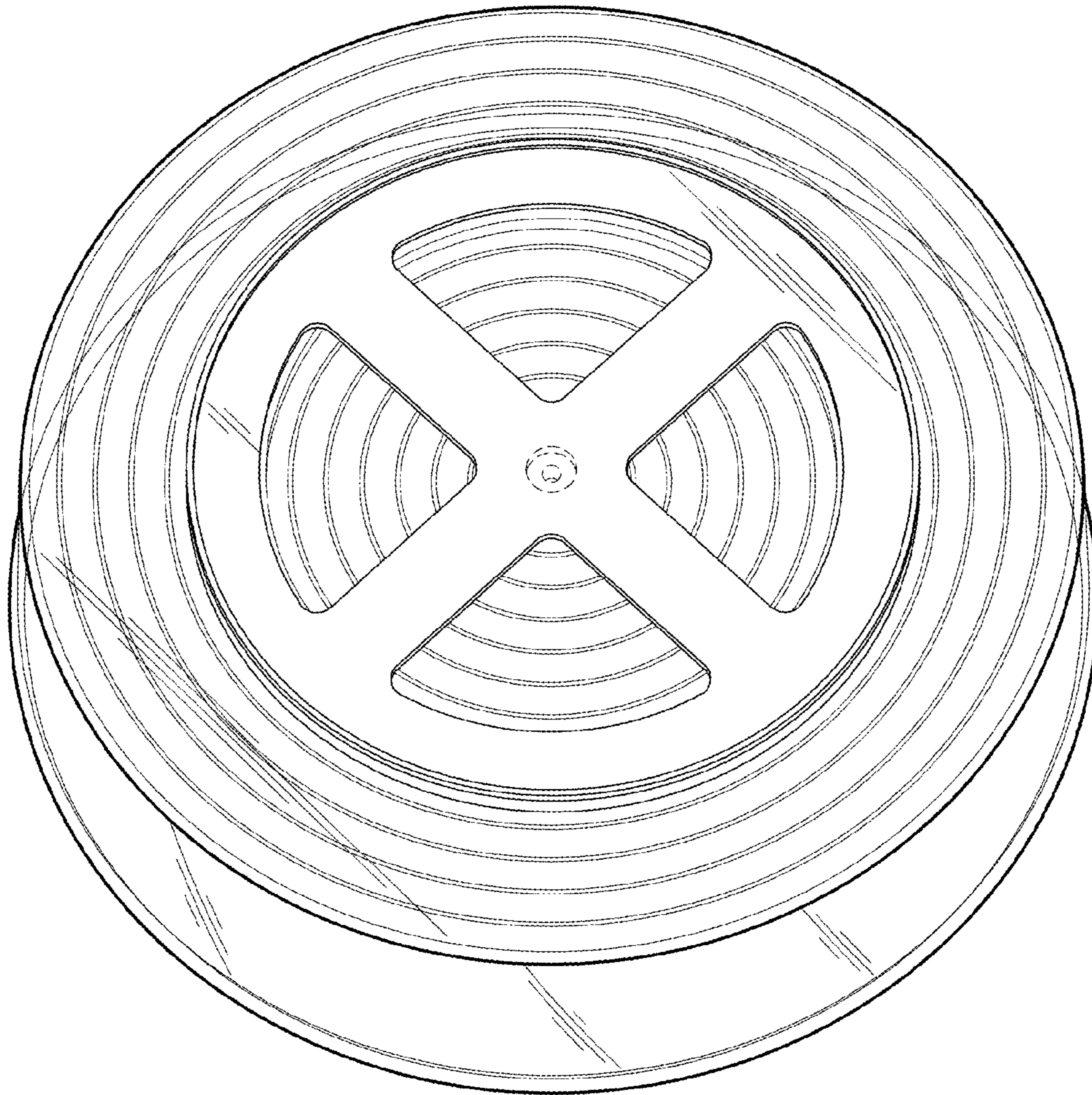


FIG. 2

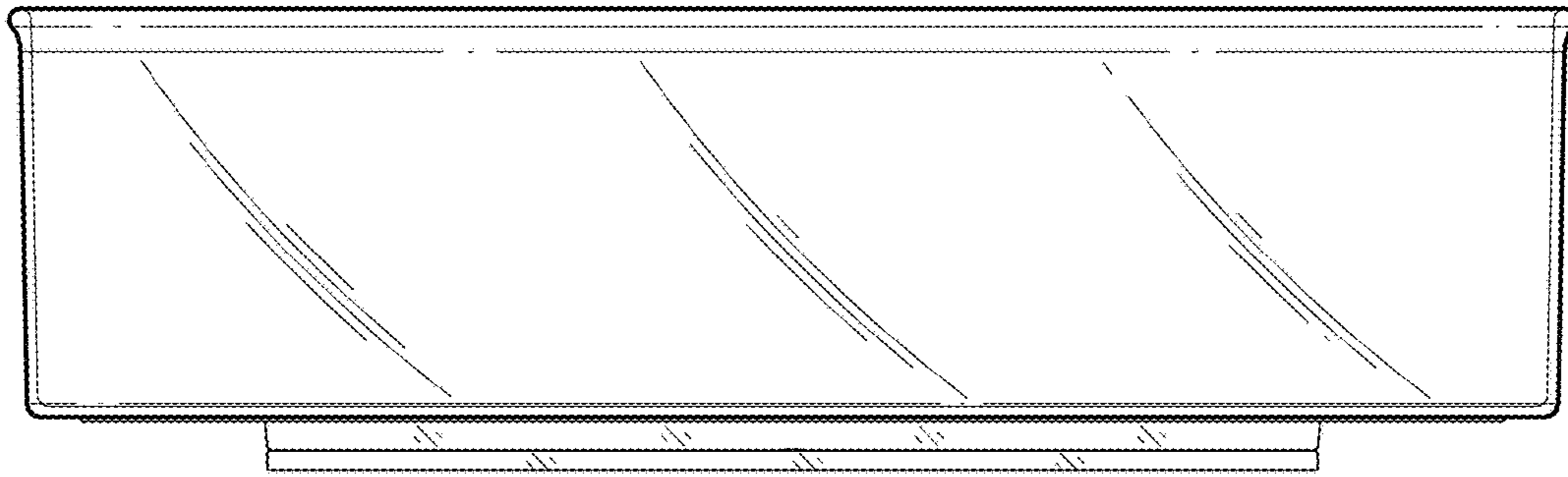


FIG. 3

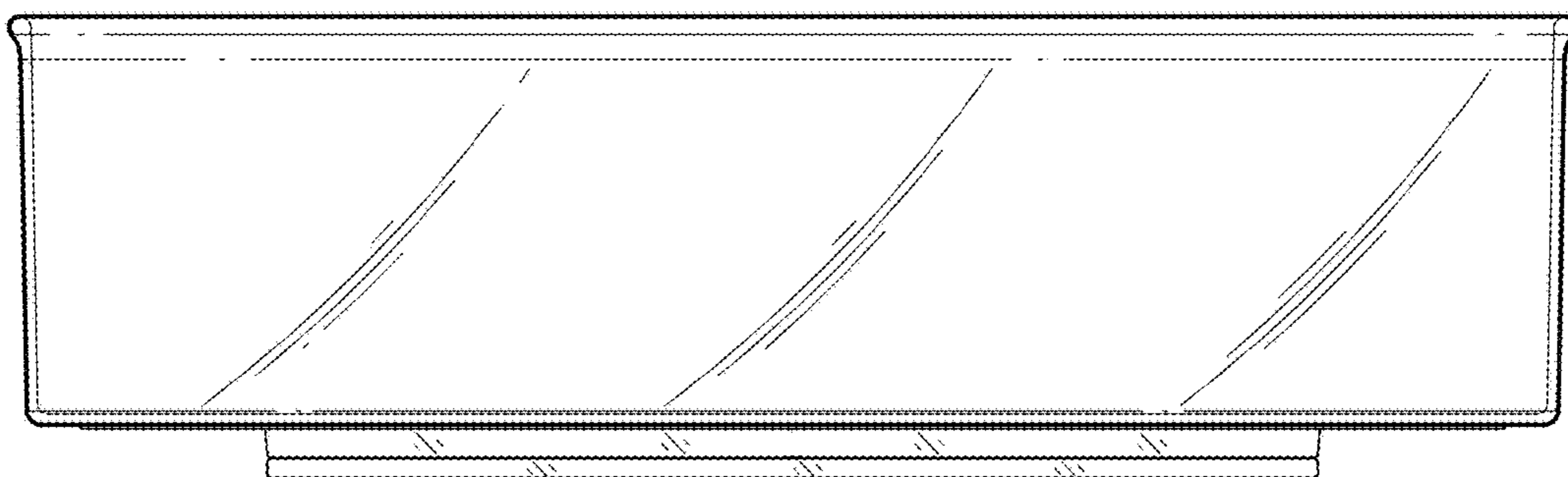


FIG. 4

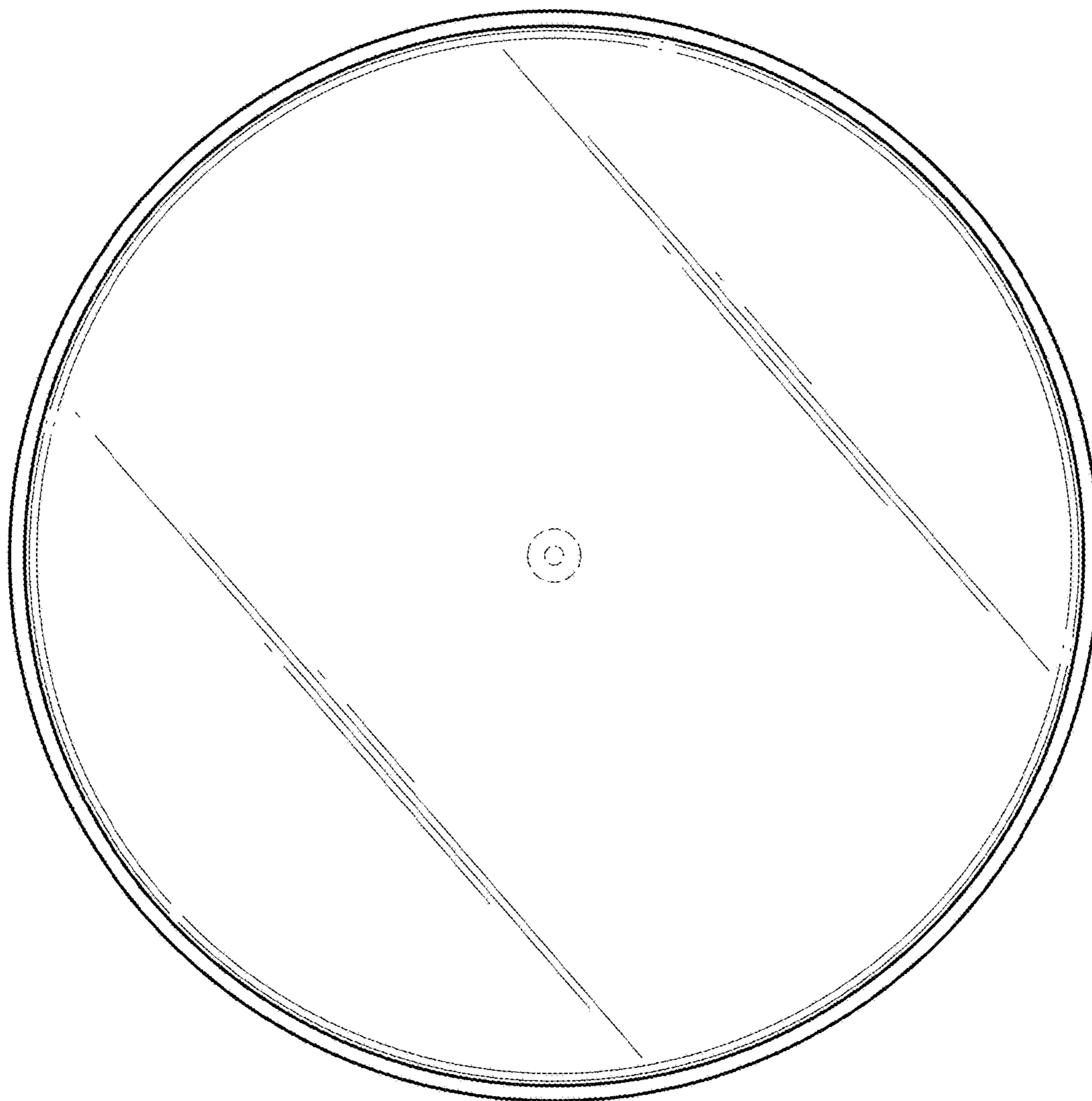


FIG. 5

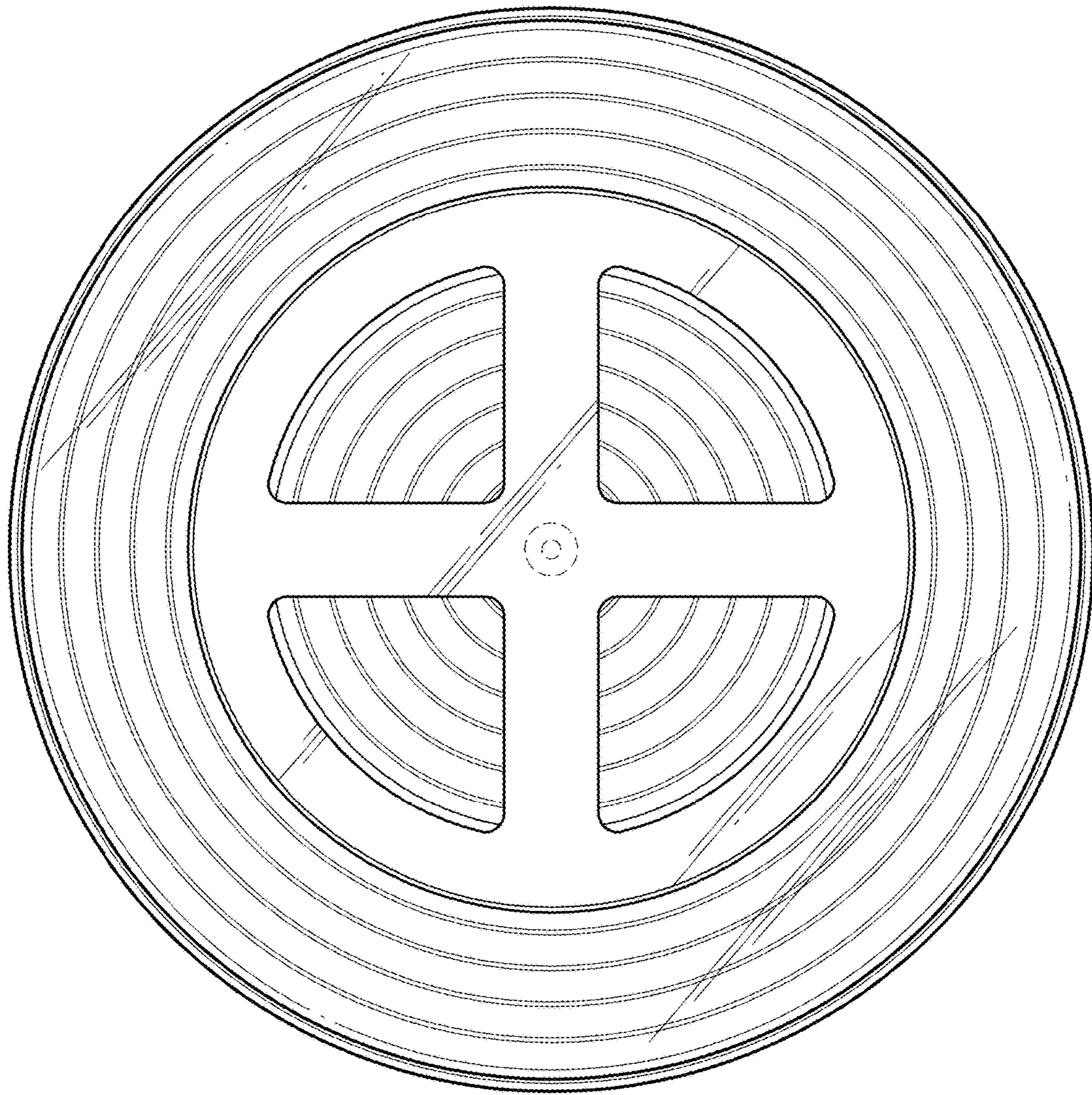


FIG. 6