



US00D795310S

(12) **United States Design Patent** (10) **Patent No.:** **US D795,310 S**
Novak (45) **Date of Patent:** **** Aug. 22, 2017**

(54) **LOOM**

(71) Applicant: **Authentic Knitting Board LLC**, Fork Union, VA (US)

(72) Inventor: **Kim Novak**, Salem, MA (US)

(73) Assignee: **Authentic Knitting Board LLC**, Fork Union, VA (US)

(**) Term: **15 Years**

(21) Appl. No.: **29/550,832**

(22) Filed: **Jan. 7, 2016**

Related U.S. Application Data

(63) Continuation-in-part of application No. 29/522,534, filed on Mar. 31, 2015, now Pat. No. Des. 777,806, which is a continuation-in-part of application No. 29/511,538, filed on Dec. 11, 2014, now Pat. No. Des. 745,900.

(51) **LOC (10) Cl.** **15-06**

(52) **U.S. Cl.**
USPC **D15/66**

(58) **Field of Classification Search**
USPC D15/66, 78
CPC D04B 5/00; D04B 39/00; D03D 29/00
See application file for complete search history.

(56) **References Cited**

U.S. PATENT DOCUMENTS

3,672,679	A *	6/1972	Burns	A63F 3/00097
					273/260
3,678,709	A *	7/1972	Nowicki	D04B 39/00
					66/4
4,023,245	A *	5/1977	Zaltzman	D03D 29/00
					28/152
4,248,063	A *	2/1981	Wang	D04B 3/00
					66/4

D563,997	S *	3/2008	Gustin	D15/78
D635,594	S *	4/2011	Novak	D15/78
D707,732	S *	6/2014	Crorey	D15/66
D711,931	S *	8/2014	Daftari	D15/66
D721,744	S *	1/2015	Daftari	D15/66
D732,582	S *	6/2015	Verona	D15/66
D737,340	S *	8/2015	Shirai	D15/66
D737,341	S *	8/2015	Shirai	D15/66
D745,900	S *	12/2015	Novak	D15/66
D748,158	S *	1/2016	Ng	D15/66
D748,159	S *	1/2016	Ng	D15/66
D748,687	S *	2/2016	Crorey	D15/66
D751,124	S *	3/2016	Miller	D15/66
D777,806	S *	1/2017	Novak	D15/66
2008/0156043	A1 *	7/2008	Gustin	D04B 5/00
					66/4
2008/0223083	A1 *	9/2008	Gustin	D04B 5/00
					66/1 A
2009/0215013	A1 *	8/2009	Molin	G09B 19/02
					434/191
2011/0259465	A1 *	10/2011	Schaub	D03D 29/00
					139/29

(Continued)

Primary Examiner — Mitchell Siegel

(74) *Attorney, Agent, or Firm* — Nixon & Vanderhye P.C.

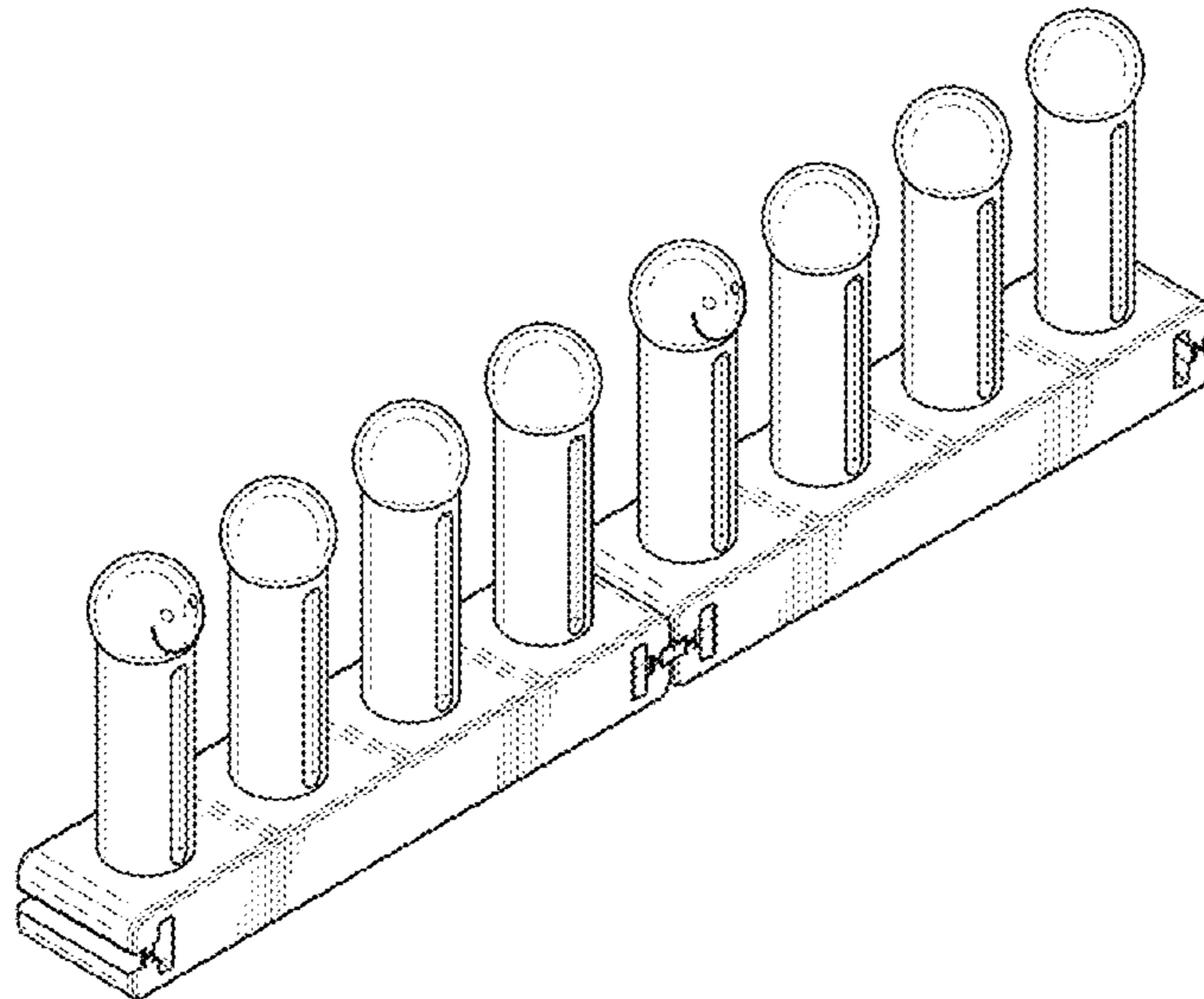
(57) **CLAIM**

The ornamental design for a loom, as shown and described.

DESCRIPTION

FIG. 1 is a perspective view of a loom showing an embodiment according to my new ornamental design;
FIG. 2 is a front view thereof;
FIG. 3 is a rear view thereof;
FIG. 4 is another perspective view thereof; and,
FIG. 5 is a perspective view of a second embodiment of a loom according to my ornamental design.
The broken lines represent environment or structure and do not form a portion of the claimed design.

1 Claim, 5 Drawing Sheets



(56)

References Cited

U.S. PATENT DOCUMENTS

2012/0047960 A1* 3/2012 Sasur D04B 5/00
66/1 A

* cited by examiner

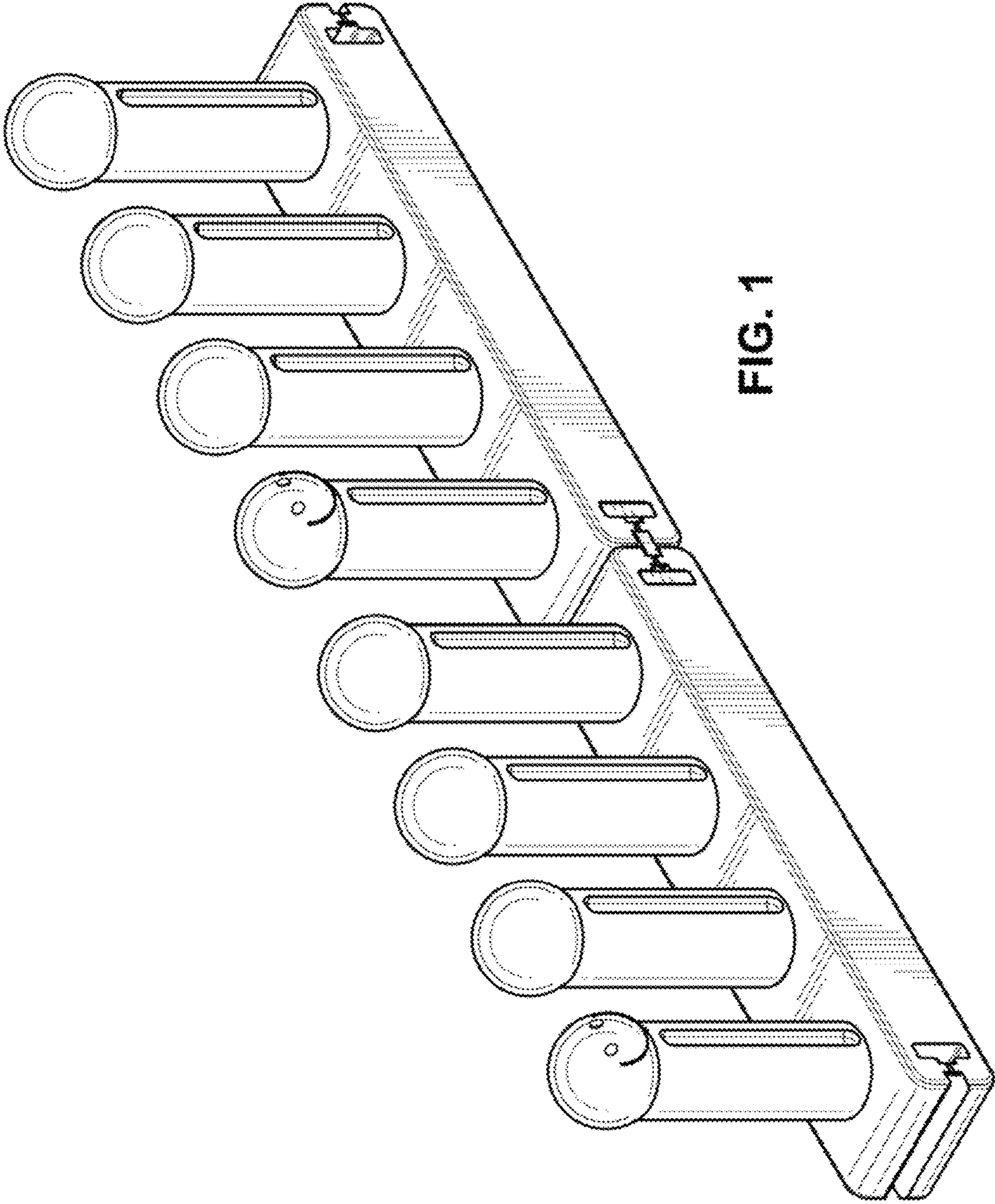


FIG. 1

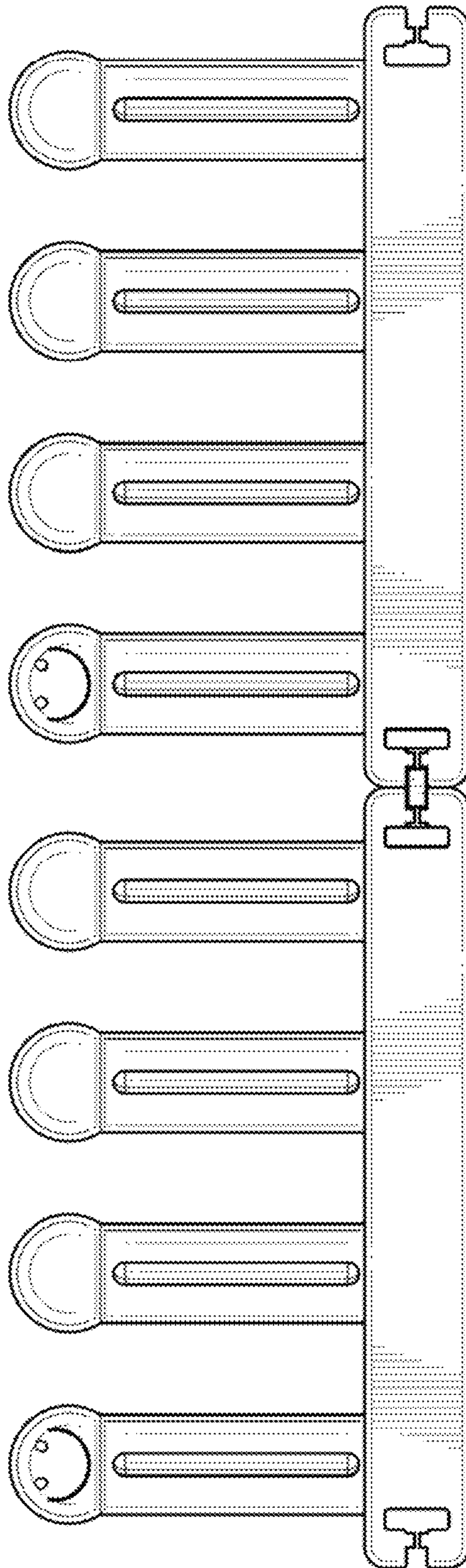


FIG. 2

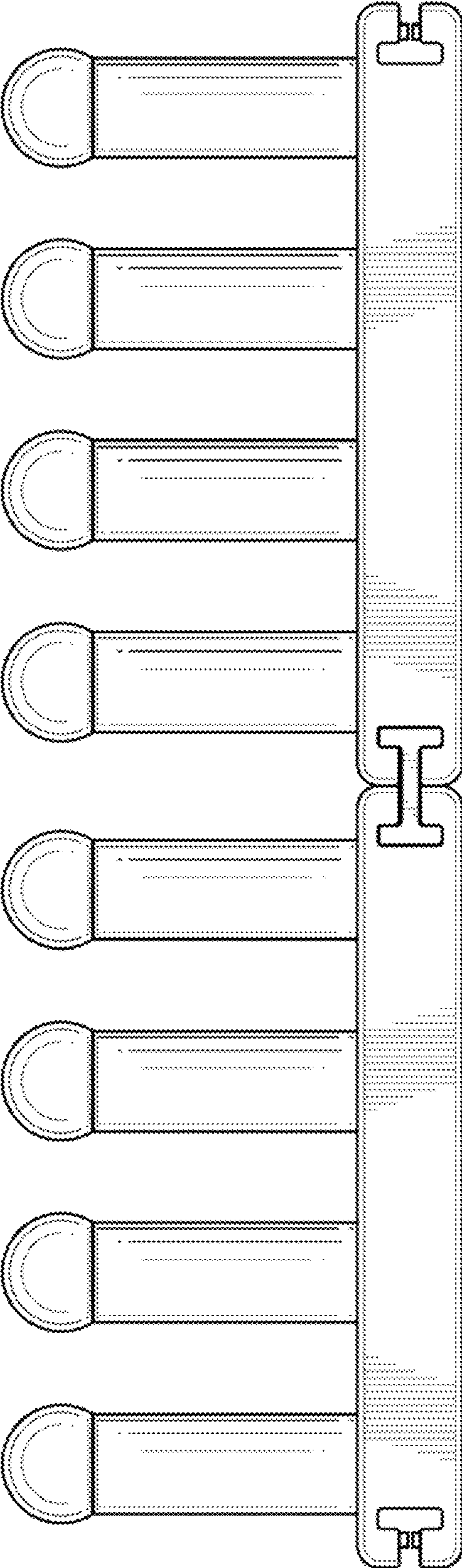


FIG. 3

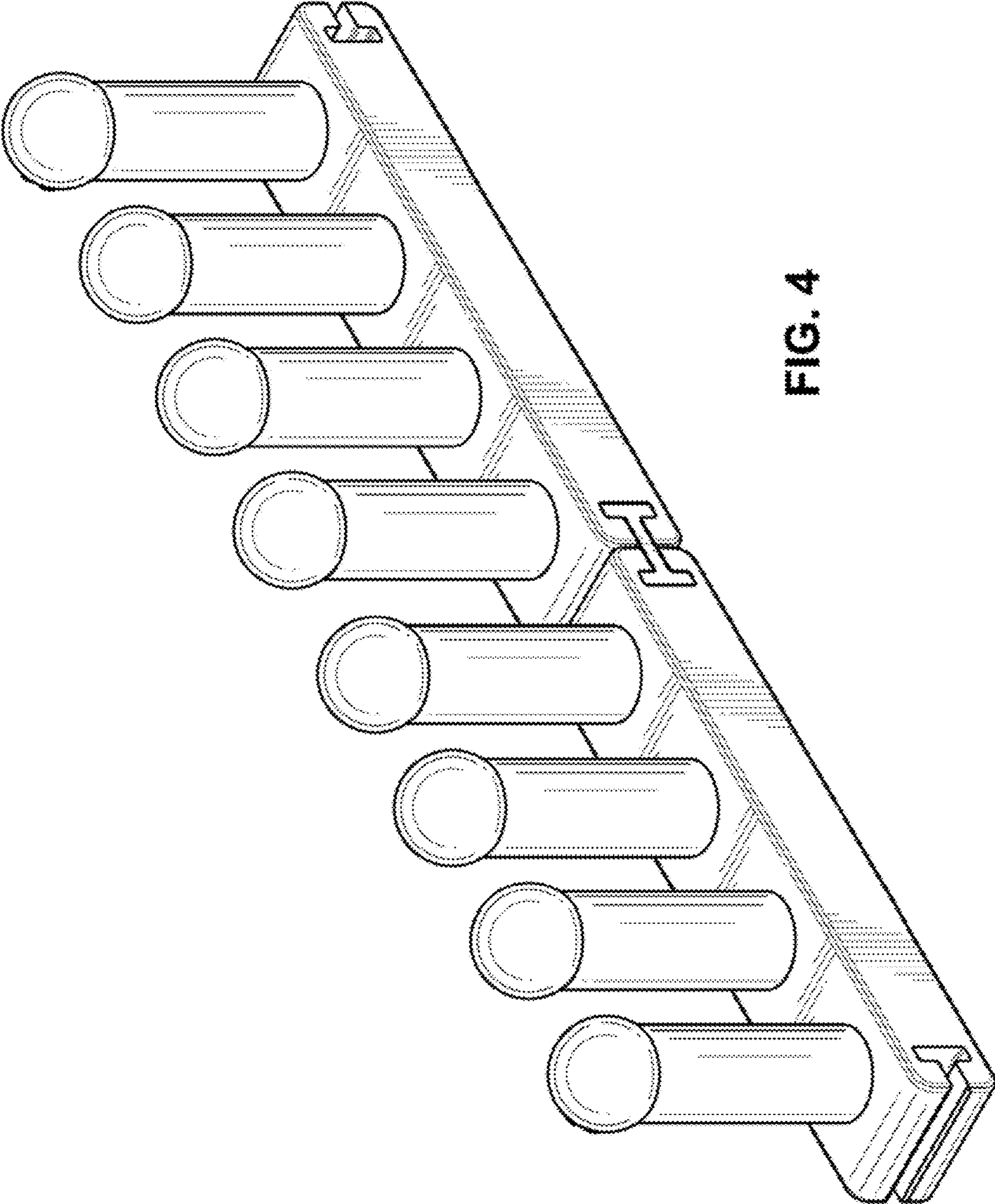


FIG. 4

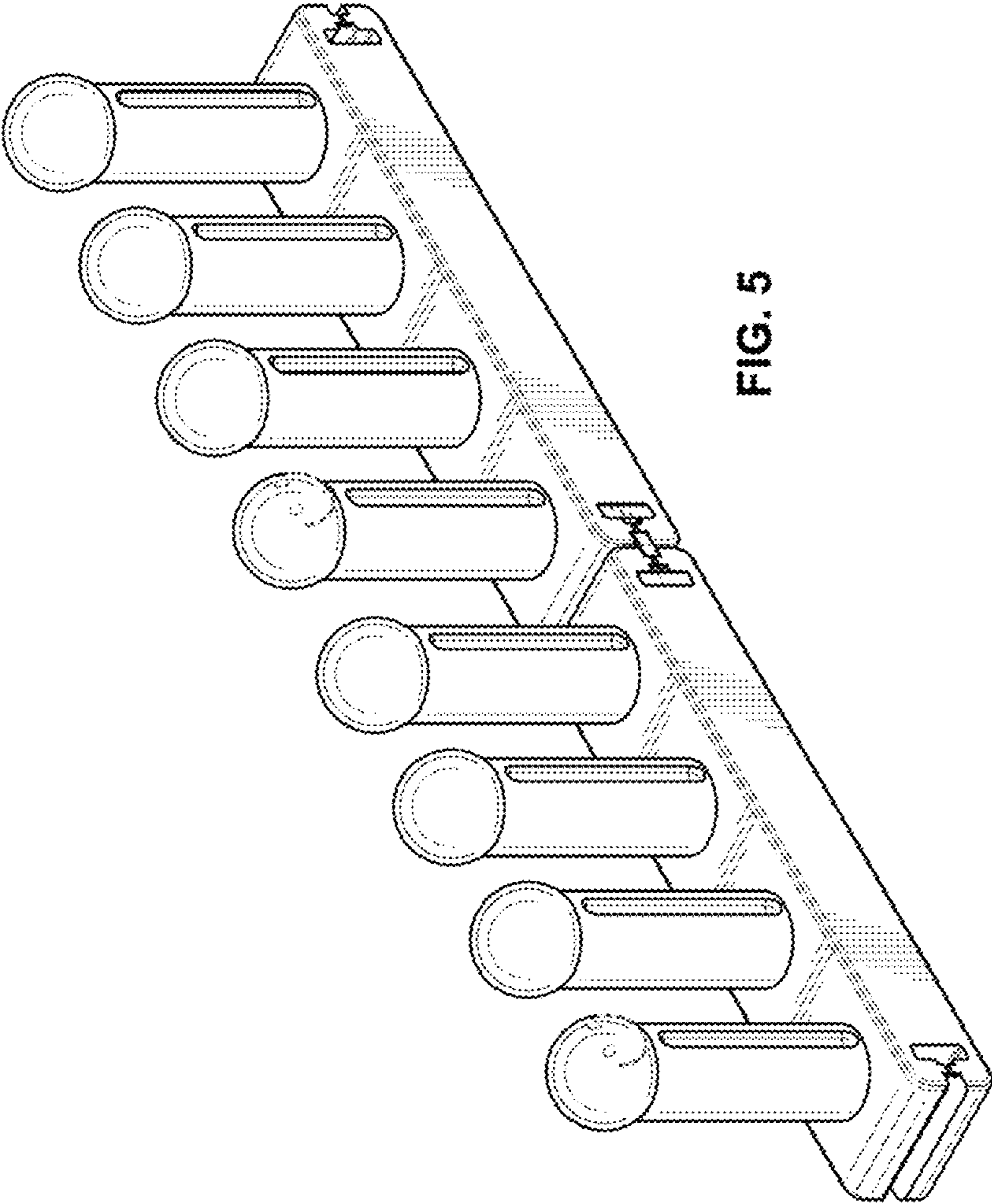


FIG. 5