



US00D795309S

(12) **United States Design Patent** (10) **Patent No.:** **US D795,309 S**
Sauvaget (45) **Date of Patent:** **** Aug. 22, 2017**

(54) **BOOM LIFT COVER**

(56) **References Cited**

(71) Applicant: **HAULOTTE GROUP**, L'Horme (FR)

U.S. PATENT DOCUMENTS

(72) Inventor: **Thierry Sauvaget**, Toussieu (FR)

D517,096 S * 3/2006 Landers D15/28

(73) Assignee: **HAULOTTE GROUP**, L'Horme (FR)

D624,567 S * 9/2010 Kelley D15/30

(**) Term: **15 Years**

D626,153 S * 10/2010 Gavin D15/31

(21) Appl. No.: **29/582,274**

D632,313 S * 2/2011 Kelley D15/30

(22) Filed: **Oct. 26, 2016**

D633,927 S * 3/2011 Kelley D15/30

D635,592 S * 4/2011 Shimomura D15/28

D684,605 S * 6/2013 Hagura D15/28

D708,233 S * 7/2014 Furuki D15/28

D762,740 S * 8/2016 Okuyama D15/28

2006/0000660 A1 * 1/2006 Moen B62D 25/10

180/309

2012/0325570 A1 * 12/2012 Rogers B62D 25/10

180/89.17

2013/0074410 A1 * 3/2013 Berkeland B62D 25/12

49/142

Related U.S. Application Data

(62) Division of application No. 29/500,702, filed on Aug. 27, 2014, now Pat. No. Des. 773,146.

* cited by examiner

(30) **Foreign Application Priority Data**

Primary Examiner — Mark Goodwin

Feb. 28, 2014 (FR) 141059

(74) *Attorney, Agent, or Firm* — Stephen J. Weyer; Stites & Harbison PLLC

(51) **LOC (10) Cl.** **15-03**

(57) **CLAIM**

(52) **U.S. Cl.**

The ornamental design for a boom lift cover, as shown.

USPC **D15/31**

DESCRIPTION

(58) **Field of Classification Search**

USPC D15/10, 22-26, 28, 31, 33; D34/33, 34, D34/28, 36, 37; 182/2.1; 37/455, 442, 37/443, 403, 409; 180/89.1, 89.12, 298, 180/900, 68.5; 414/685, 694, 722, 724
CPC . E04G 3/28; B66C 23/00; B66C 23/78; B66F 11/04; B66F 11/046; B62D 21/186; B62D 21/18; B62D 25/10; E02F 9/0891; E02F 9/08; B60K 11/08; B60K 11/00; F01P 2001/005; F01P 11/10; F01P 1/00

FIG. 1 is a front, top, and left side perspective view of a boom lift cover showing the new design.

FIG. 2 is a top view thereof.

FIG. 3 is a left side view thereof.

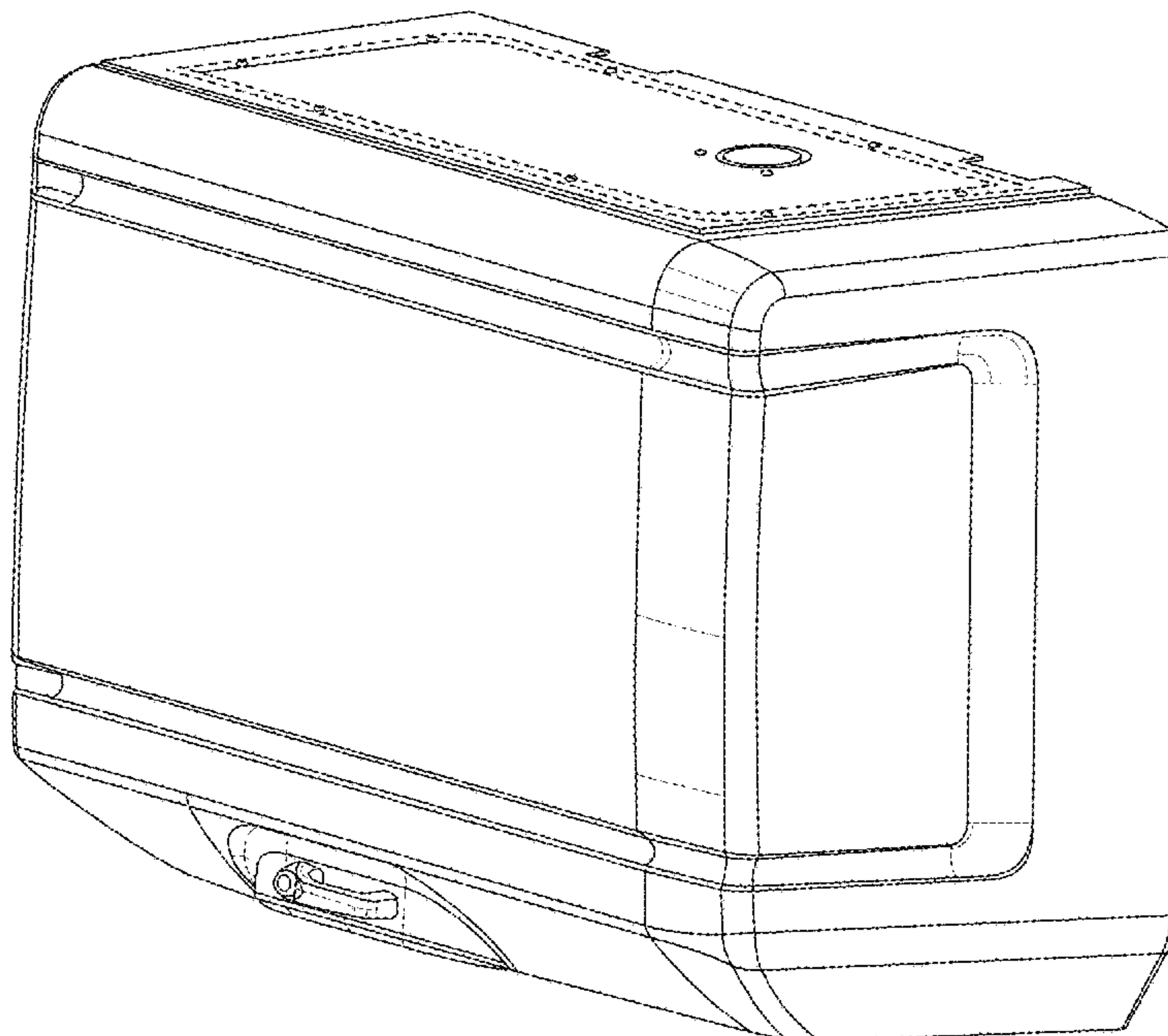
FIG. 4 is a front view thereof; and,

FIG. 5 is a bottom view thereof.

Elements drawn in broken lines are environmental aspects of the boom lift cover and form no part of the claimed design.

See application file for complete search history.

1 Claim, 5 Drawing Sheets



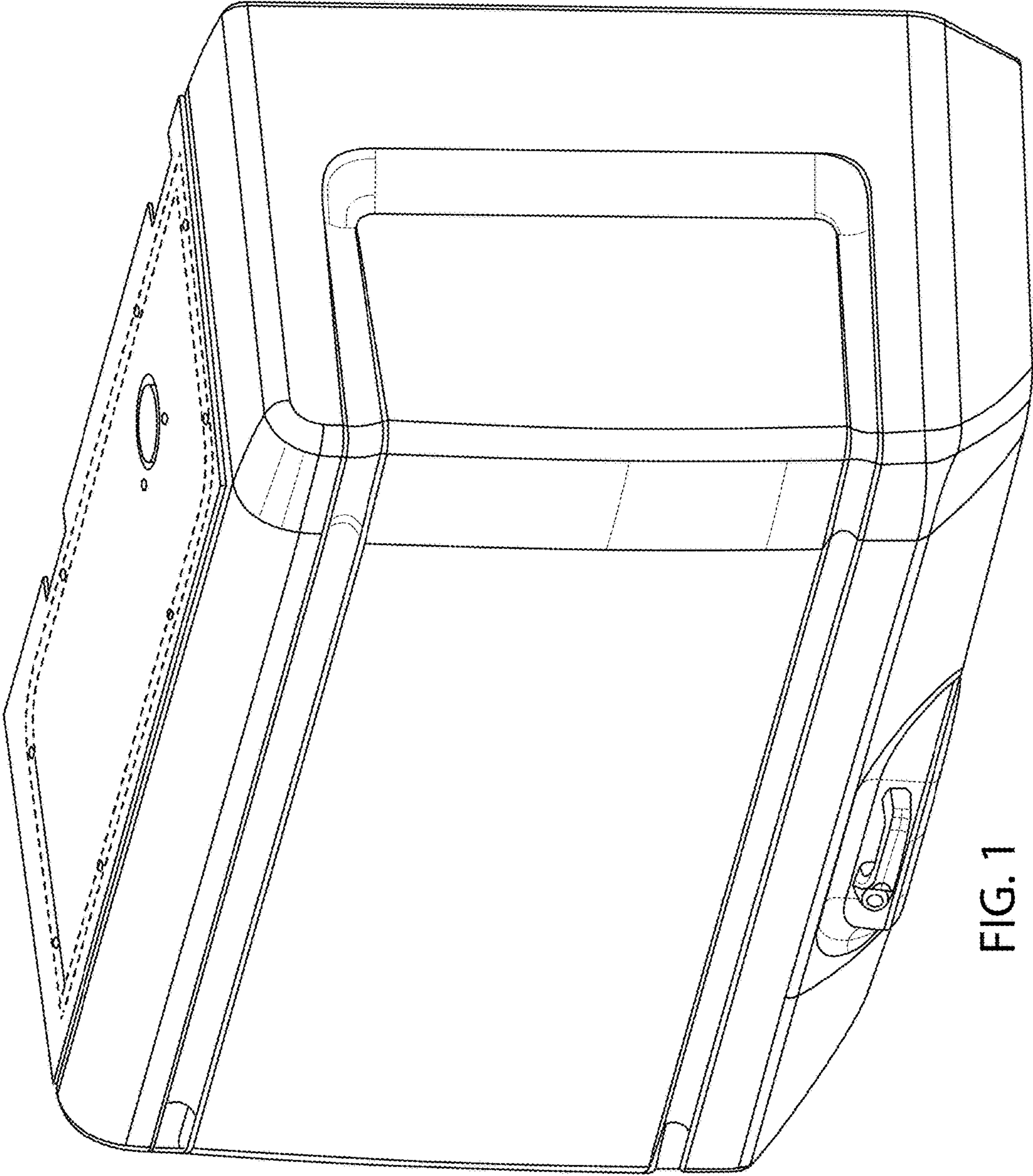


FIG. 1

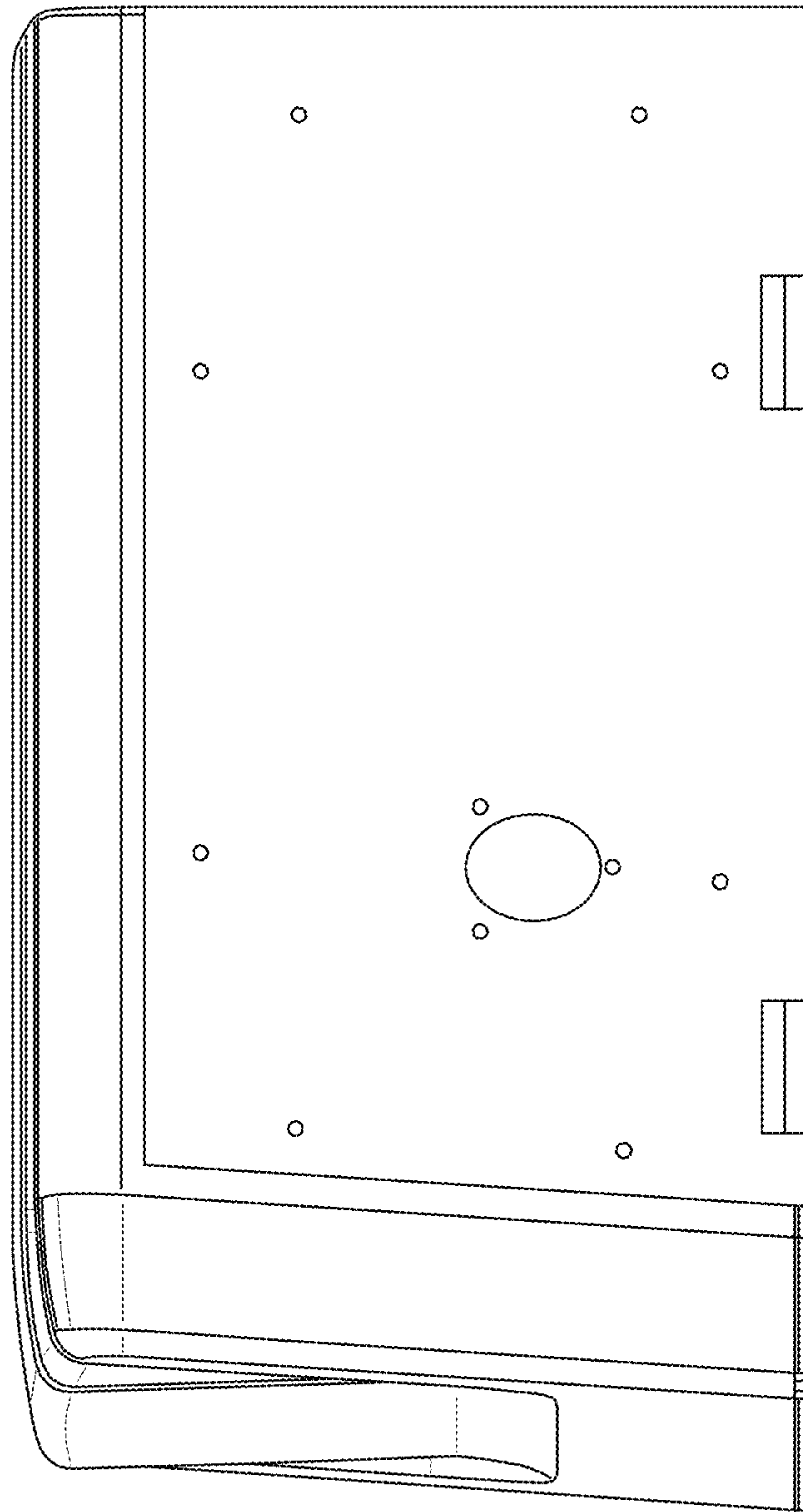


FIG. 2

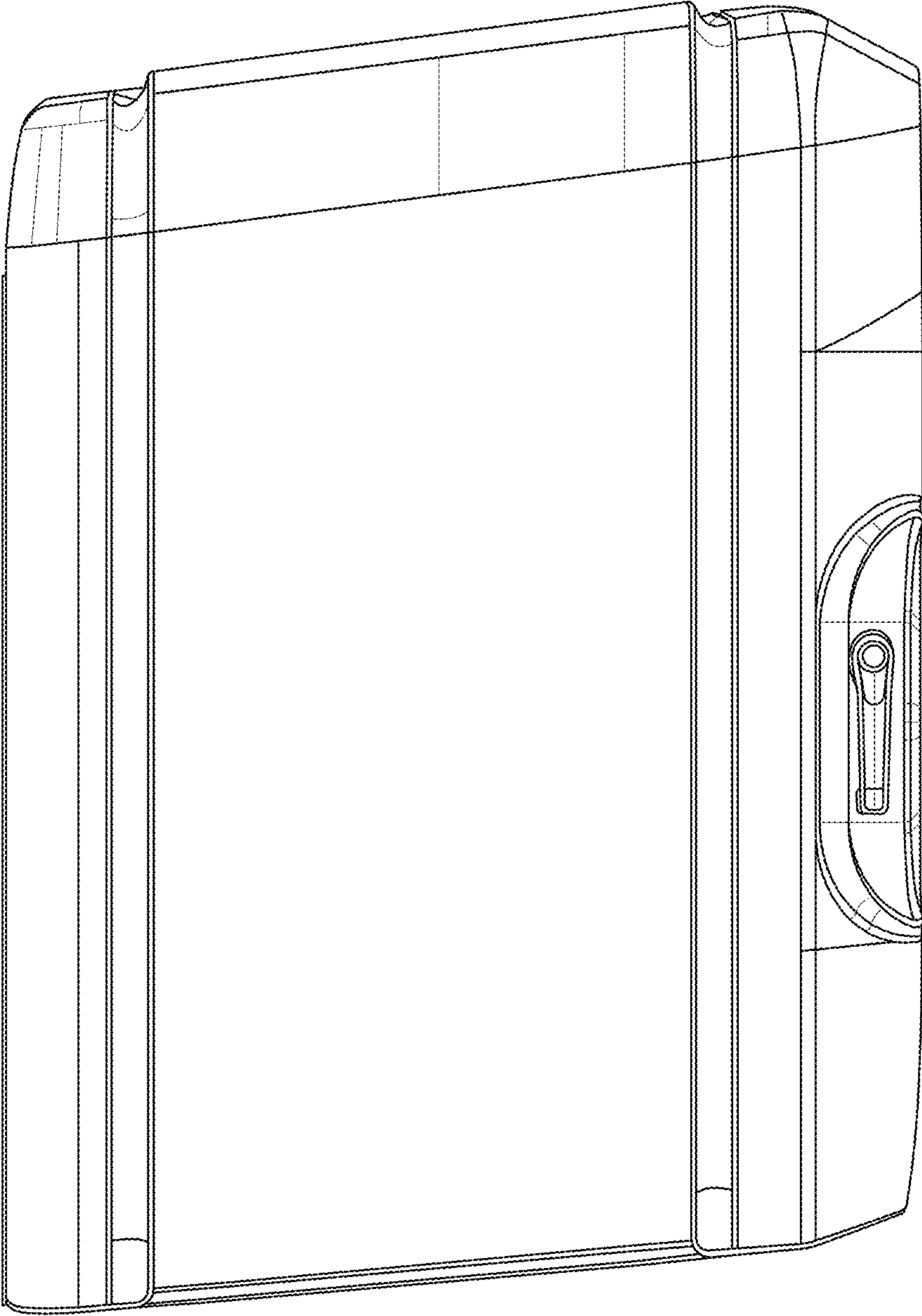


FIG. 3

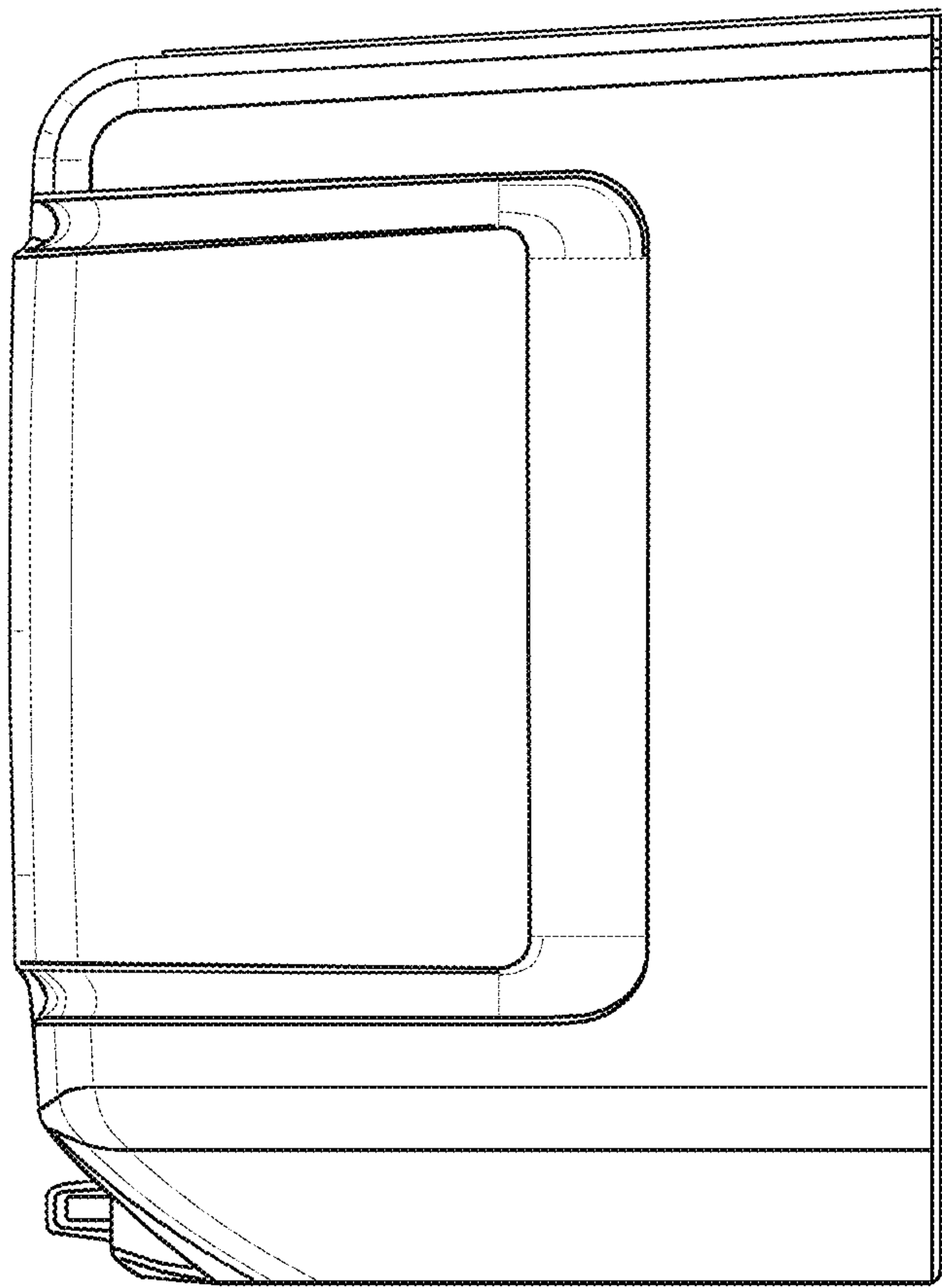


FIG. 4

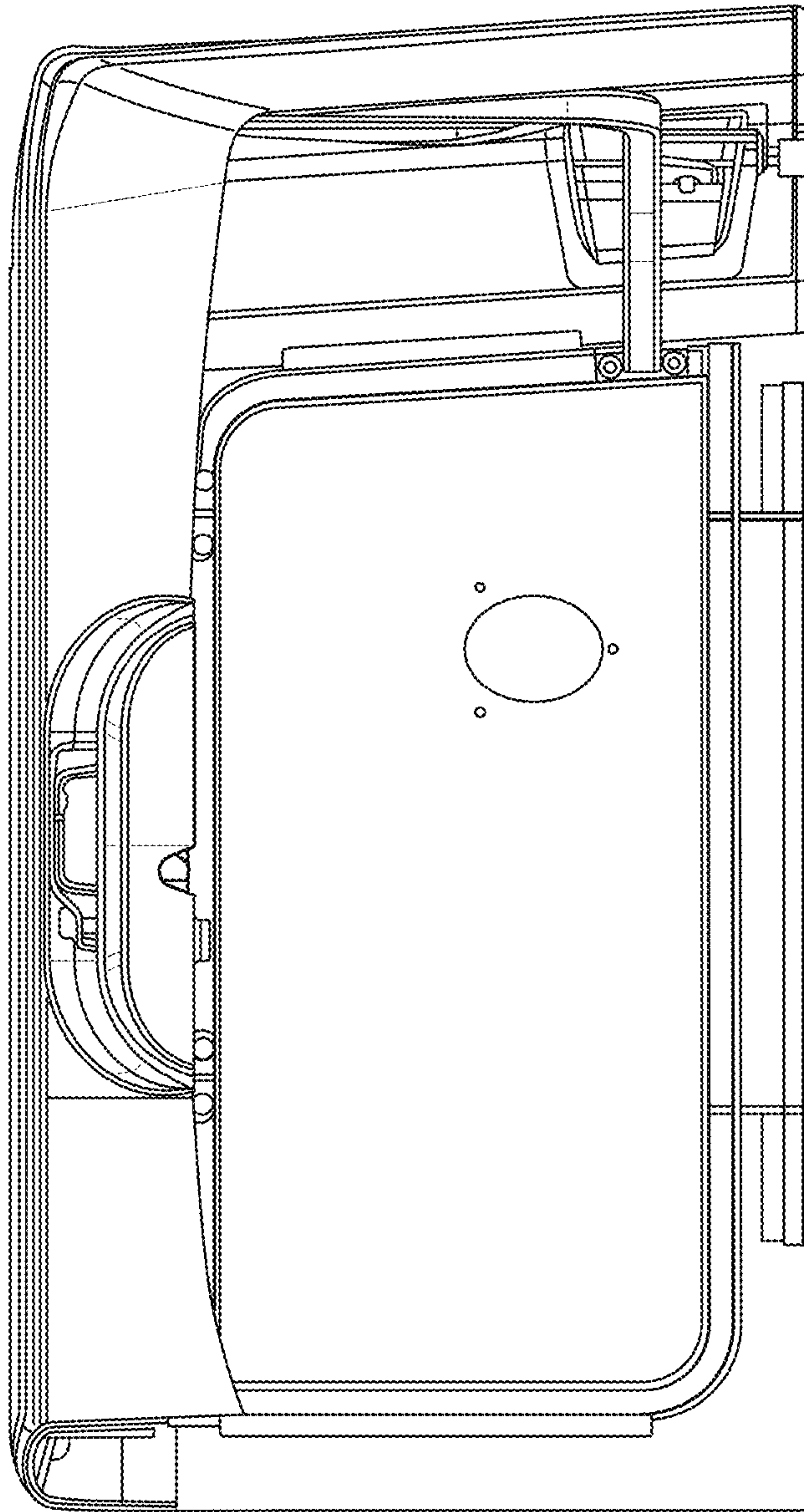


FIG. 5