



US00D795308S

(12) **United States Design Patent** (10) **Patent No.:** **US D795,308 S**  
**Sauvaget** (45) **Date of Patent:** **\*\* Aug. 22, 2017**

(54) **BOOM LIFT COVER**

(71) Applicant: **HAULOTTE GROUP, L'Horme (FR)**

(72) Inventor: **Thierry Sauvaget, Toussieu (FR)**

(73) Assignee: **HAULOTTE GROUP, L'Horme (FR)**

(\*\*) Term: **15 Years**

(21) Appl. No.: **29/582,265**

(22) Filed: **Oct. 26, 2016**

**Related U.S. Application Data**

(62) Division of application No. 29/500,702, filed on Aug. 27, 2014, now Pat. No. Des. 773,146.

(30) **Foreign Application Priority Data**

Feb. 28, 2014 (FR) ..... 14 1059

(51) **LOC (10) Cl.** ..... **15-03**

(52) **U.S. Cl.**  
USPC ..... **D15/31**

(58) **Field of Classification Search**

USPC ..... D15/10, 22-26, 28, 31, 33; D34/33, 34, D34/28, 36, 37; 182/2.1; 37/455, 442, 37/443, 403, 409; 180/89.1, 89.12, 298, 180/900, 68.5; 414/685, 694, 722, 724  
CPC . E04G 3/28; B66C 23/00; B66C 23/78; B66F 11/04; B66F 11/046; B62D 21/186; B62D 21/18; B62D 25/10; E02F 9/0891; E02F 9/08; B60K 11/08; B60K 11/00; F01P 2001/005; F01P 11/10; F01P 1/00

See application file for complete search history.

(56) **References Cited**

U.S. PATENT DOCUMENTS

D517,096 S *	3/2006	Landers	.....	D15/28
D624,567 S *	9/2010	Kelley	.....	D15/30
D626,153 S *	10/2010	Gavin	.....	D15/31
D632,313 S *	2/2011	Kelley	.....	D15/30
D633,927 S *	3/2011	Kelley	.....	D15/30
D635,592 S *	4/2011	Shimomura	.....	D15/28
D684,605 S *	6/2013	Hagura	.....	D15/28
D708,233 S *	7/2014	Furuki	.....	D15/28
D762,740 S *	8/2016	Okuyama	.....	D15/28
2006/0000660 A1 *	1/2006	Moen	.....	B62D 25/10 180/309
2012/0325570 A1 *	12/2012	Rogers	.....	B62D 25/10 180/89.17
2013/0074410 A1 *	3/2013	Berkeland	.....	B62D 25/12 49/142

\* cited by examiner

*Primary Examiner* — Mark Goodwin

(74) *Attorney, Agent, or Firm* — Stephen J. Weyer; Stites & Harbison PLLC

(57) **CLAIM**

The ornamental design for a boom lift cover, as shown.

**DESCRIPTION**

FIG. 1 is a front, top, and right side perspective view of a boom lift cover showing the new design.

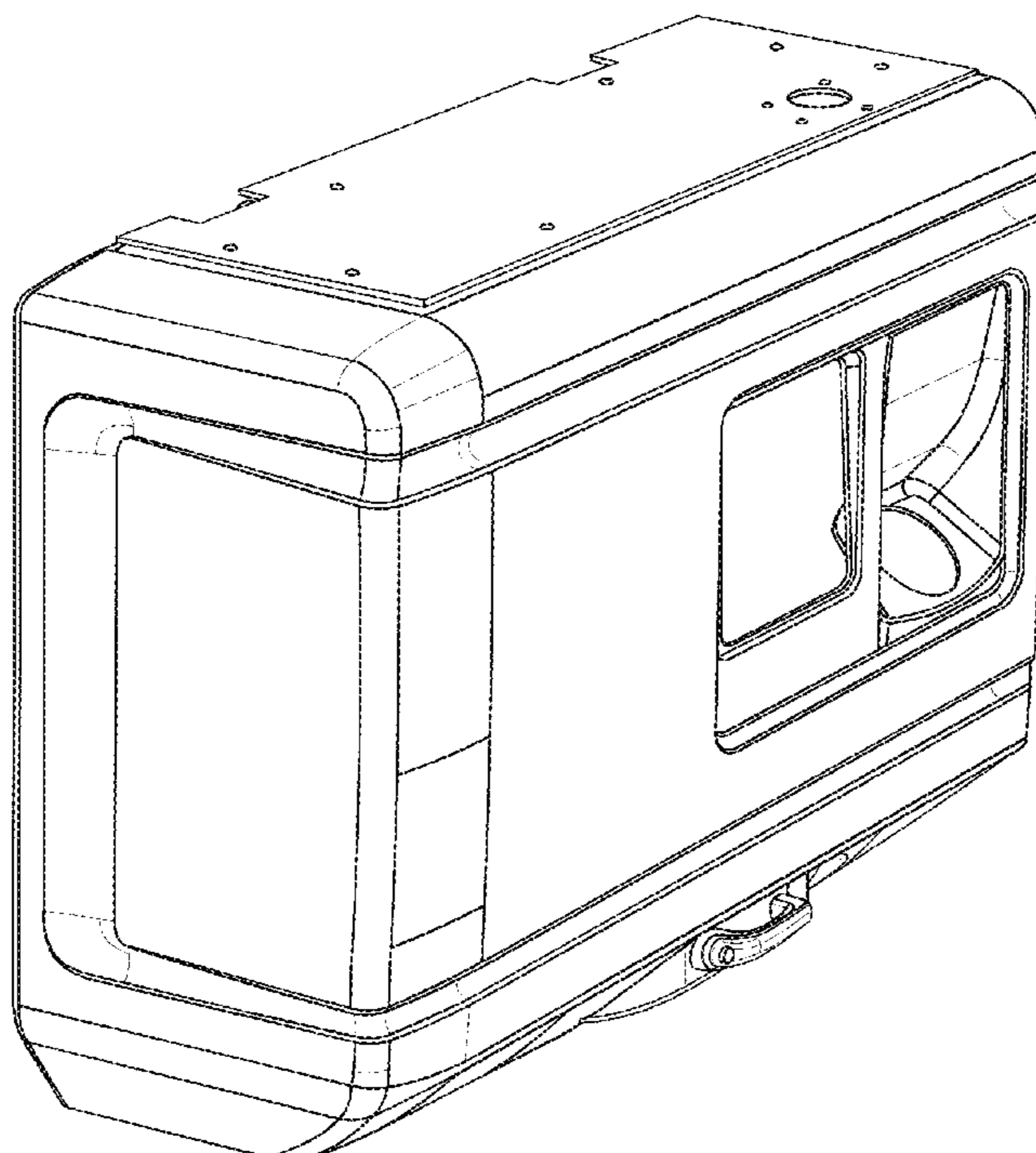
FIG. 2 is a top view thereof.

FIG. 3 is a right side view thereof.

FIG. 4 is a front view thereof; and,

FIG. 5 is a bottom view thereof.

**1 Claim, 5 Drawing Sheets**



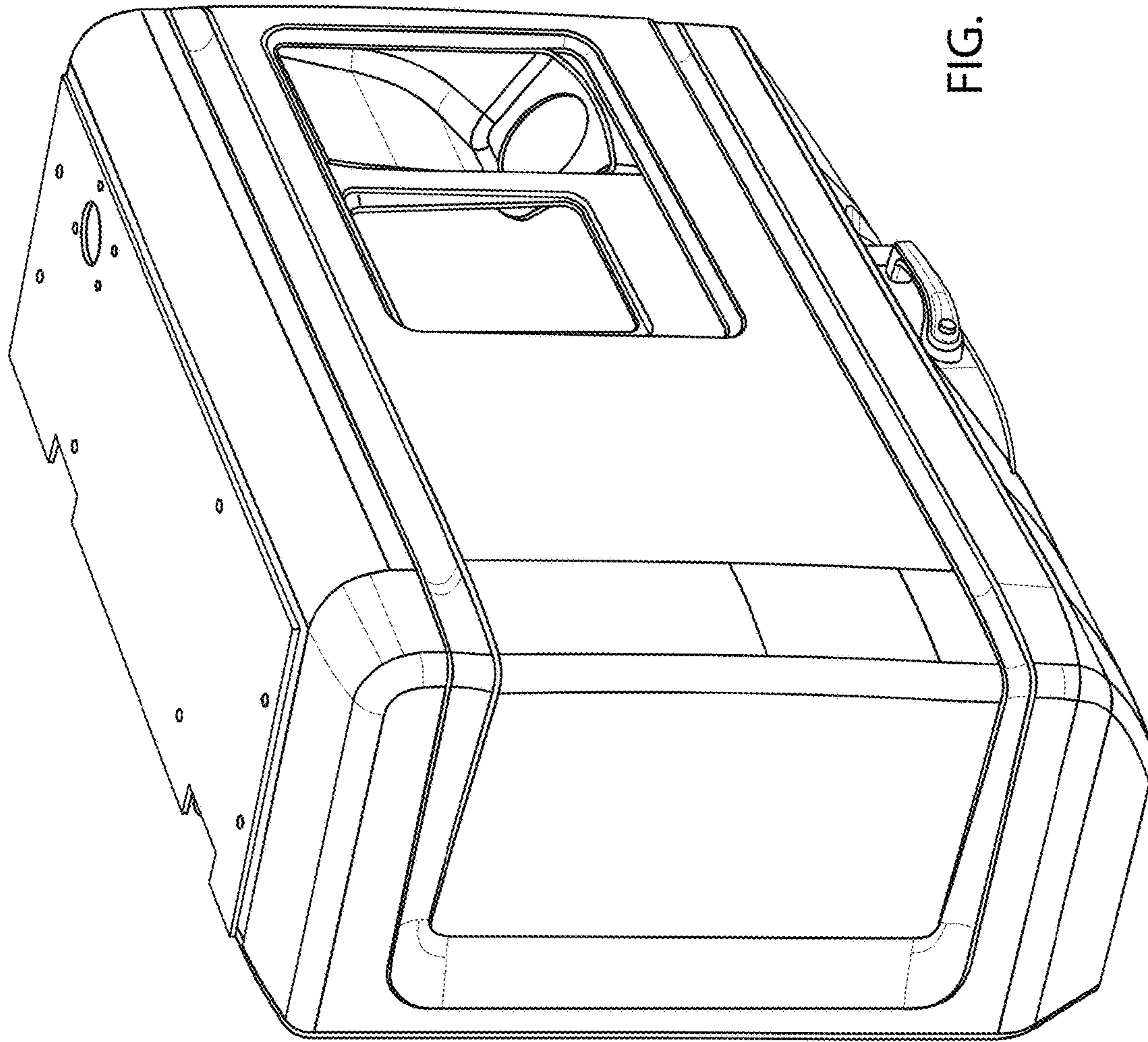


FIG. 1

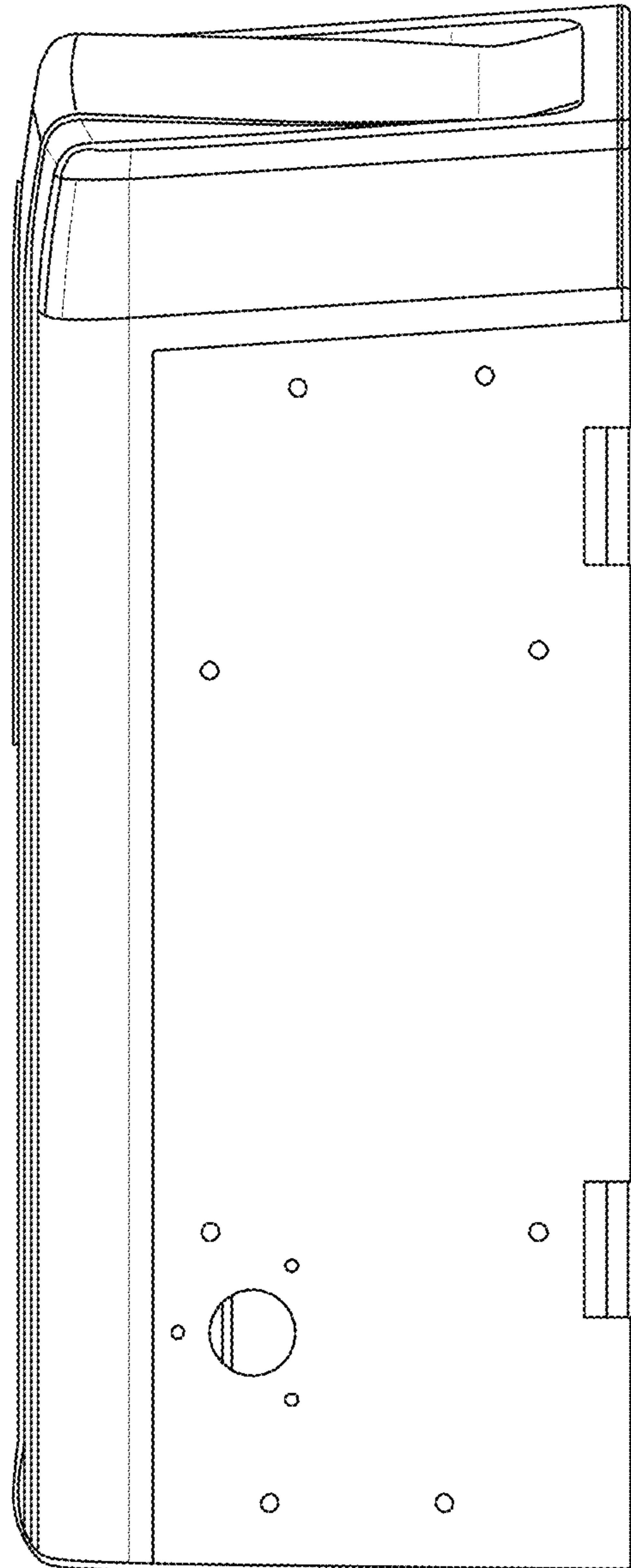


FIG. 2

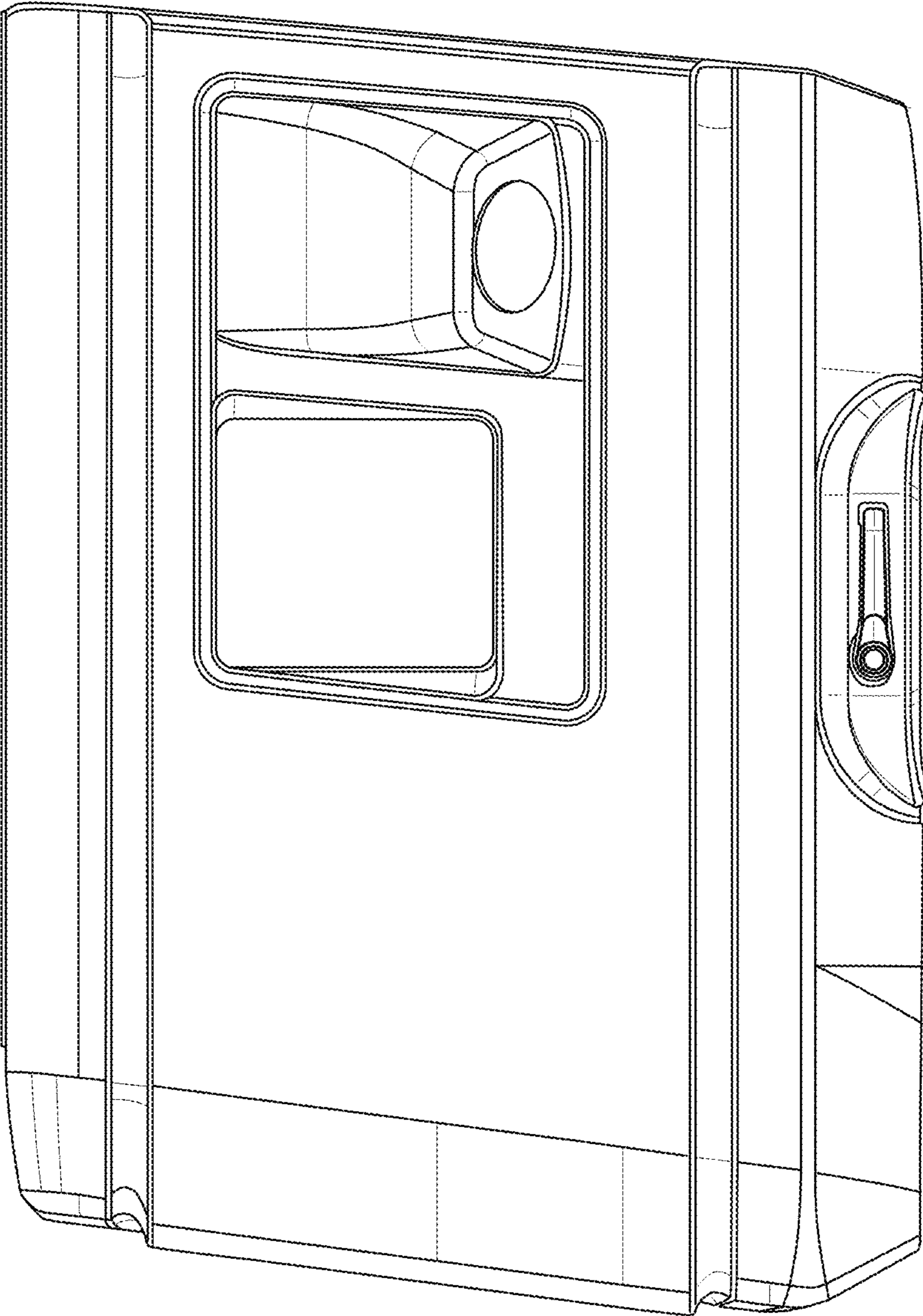


FIG. 3

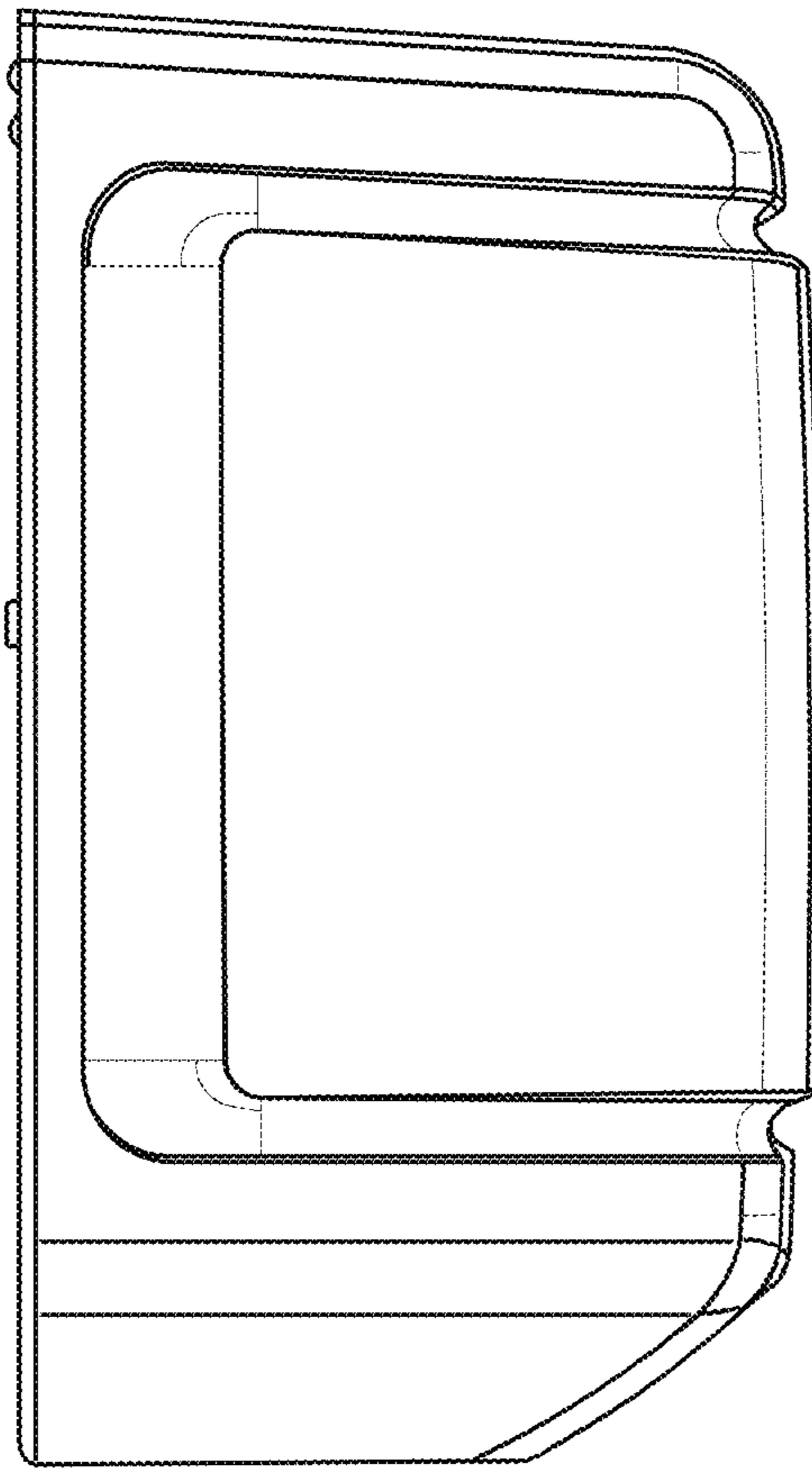


FIG. 4

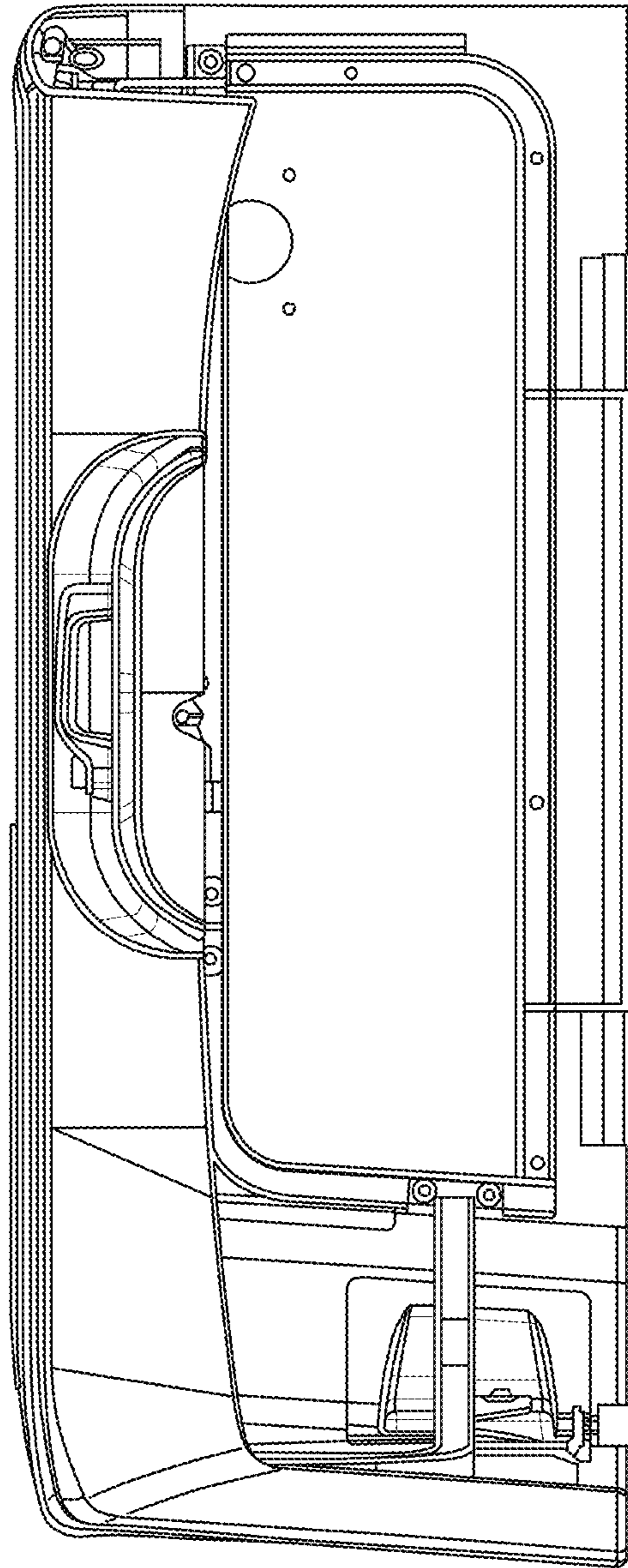


FIG. 5