



US00D795307S

(12) **United States Design Patent** (10) **Patent No.:** **US D795,307 S**  
**Stout** (45) **Date of Patent:** **\*\* Aug. 22, 2017**

(54) **LIMB AND BRANCH TRIMMING APPARATUS**  
(71) Applicant: **Joseph W. Stout**, Benton, AR (US)  
(72) Inventor: **Joseph W. Stout**, Benton, AR (US)  
(\*\*) Term: **15 Years**  
(21) Appl. No.: **29/602,035**  
(22) Filed: **Apr. 27, 2017**  
(51) **LOC (10) Cl.** ..... **15-03**  
(52) **U.S. Cl.**  
USPC ..... **D15/28**  
(58) **Field of Classification Search**  
USPC ..... 144/24.13  
CPC ..... A01G 23/095; A01G 3/0426; A01G 3/00;  
A01G 3/08; A01G 3/04; B23D 45/00;  
B23D 45/10; B23D 47/00; B23D 47/12  
See application file for complete search history.

(56) **References Cited**  
U.S. PATENT DOCUMENTS  
3,138,911 A 6/1964 Pounds  
3,192,695 A \* 7/1965 Leydig ..... A01G 3/0426  
30/379  
3,597,908 A 8/1971 Schaefer  
3,979,827 A \* 9/1976 Anzur ..... A01D 34/001  
30/379  
4,067,178 A \* 1/1978 Miller ..... A01G 3/0435  
56/235  
4,302,922 A \* 12/1981 Guerndt, Jr. .... B23D 45/10  
56/235  
4,577,457 A 3/1986 Grant  
4,627,227 A 12/1986 Dixon  
4,802,327 A \* 2/1989 Roberts ..... A01D 34/866  
56/10.4  
4,815,263 A 3/1989 Hartung et al.  
4,887,416 A \* 12/1989 Crane ..... A01D 34/664  
56/13.6

4,888,939 A \* 12/1989 Crane ..... A01D 34/664  
56/13.6  
4,890,445 A \* 1/1990 Crane ..... A01D 34/664  
56/13.6  
5,144,748 A \* 9/1992 Hult ..... B27G 19/02  
144/218  
5,408,814 A \* 4/1995 Milbourn ..... A01G 23/093  
144/30  
5,430,999 A 7/1995 Grant  
5,501,257 A \* 3/1996 Hickman ..... A01G 23/091  
144/335

(Continued)

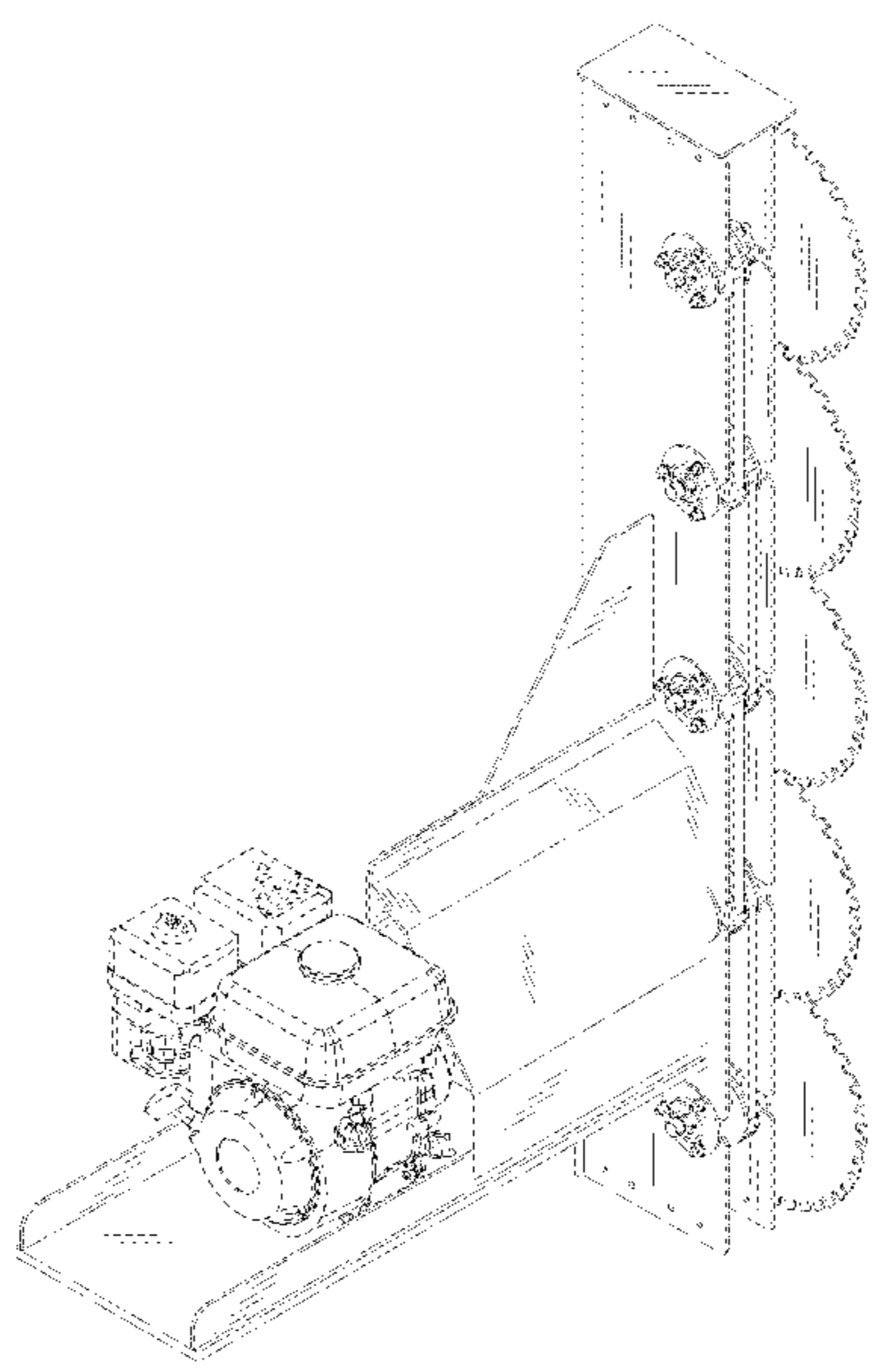
*Primary Examiner* — Mark Goodwin  
(74) *Attorney, Agent, or Firm* — Rashauna Norment

(57) **CLAIM**  
The ornamental design for a limb and branch trimming apparatus, as shown and described.

**DESCRIPTION**

FIG. 1 is a perspective view of a limb and branch trimming apparatus, showing my new design;  
FIG. 2 is a top plan view of FIG. 1 thereof;  
FIG. 3 is a bottom plan view of FIG. 1 thereof;  
FIG. 4 is a front plan elevation view of FIG. 1 thereof;  
FIG. 5 is a rear plan elevation view of FIG. 1 thereof;  
FIG. 6 is a left side elevation view of FIG. 1 thereof;  
FIG. 7 is a right side elevation view of FIG. 1 thereof;  
FIG. 8 is another perspective view of FIG. 1 thereof, showing an exploded view of the invention;  
FIG. 9 is a top plan view of FIG. 8 thereof;  
FIG. 10 is a bottom plan view of FIG. 8 thereof;  
FIG. 11 is a front plan elevation view of FIG. 8 thereof;  
FIG. 12 is a rear plan elevation view of FIG. 8 thereof;  
FIG. 13 is a left side elevation view of FIG. 8 thereof; and,  
FIG. 14 is a right side elevation view of FIG. 8 thereof.  
The broken lines showing an engine depict environmental subject matter and form no part of the claimed design.

**1 Claim, 12 Drawing Sheets**



(56)

**References Cited**

U.S. PATENT DOCUMENTS

5,832,706 A \* 11/1998 Edwards ..... A01D 34/866  
56/15.2  
6,085,505 A 7/2000 Edwards  
6,250,056 B1 \* 6/2001 Spagnolo ..... A01G 3/08  
56/235  
6,311,746 B1 11/2001 Halvorson et al.  
7,418,985 B2 \* 9/2008 Torgersen ..... A01G 3/08  
144/4.1  
7,562,682 B1 \* 7/2009 Torgersen ..... A01G 3/08  
144/24.13  
D618,708 S \* 6/2010 Quirke ..... D15/10  
8,322,385 B2 12/2012 Kauppila  
D678,356 S \* 3/2013 Disabatino ..... D15/28  
9,049,820 B2 \* 6/2015 Skipper ..... A01G 3/04  
2014/0299230 A1 10/2014 Cox

\* cited by examiner

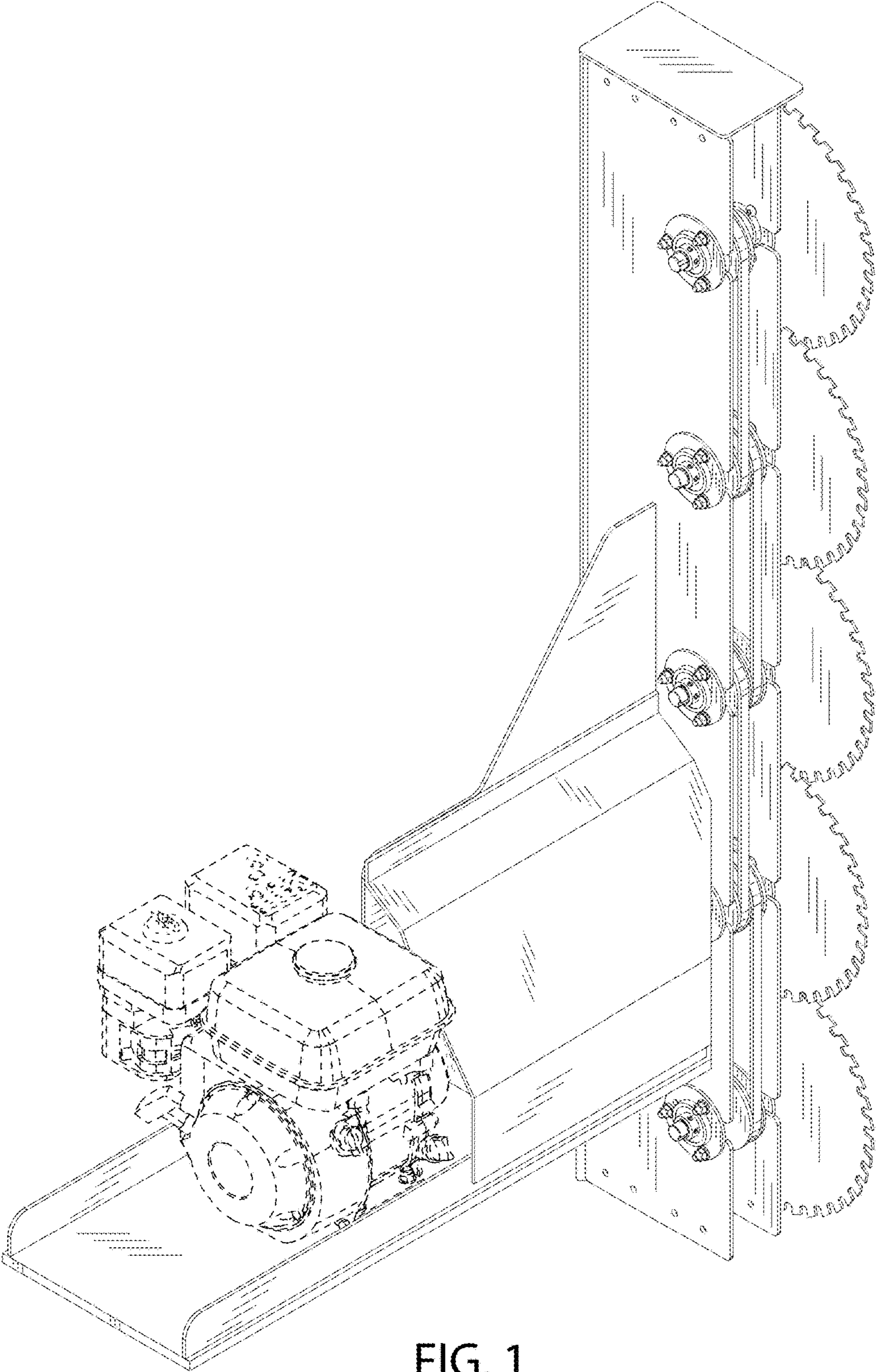


FIG. 1

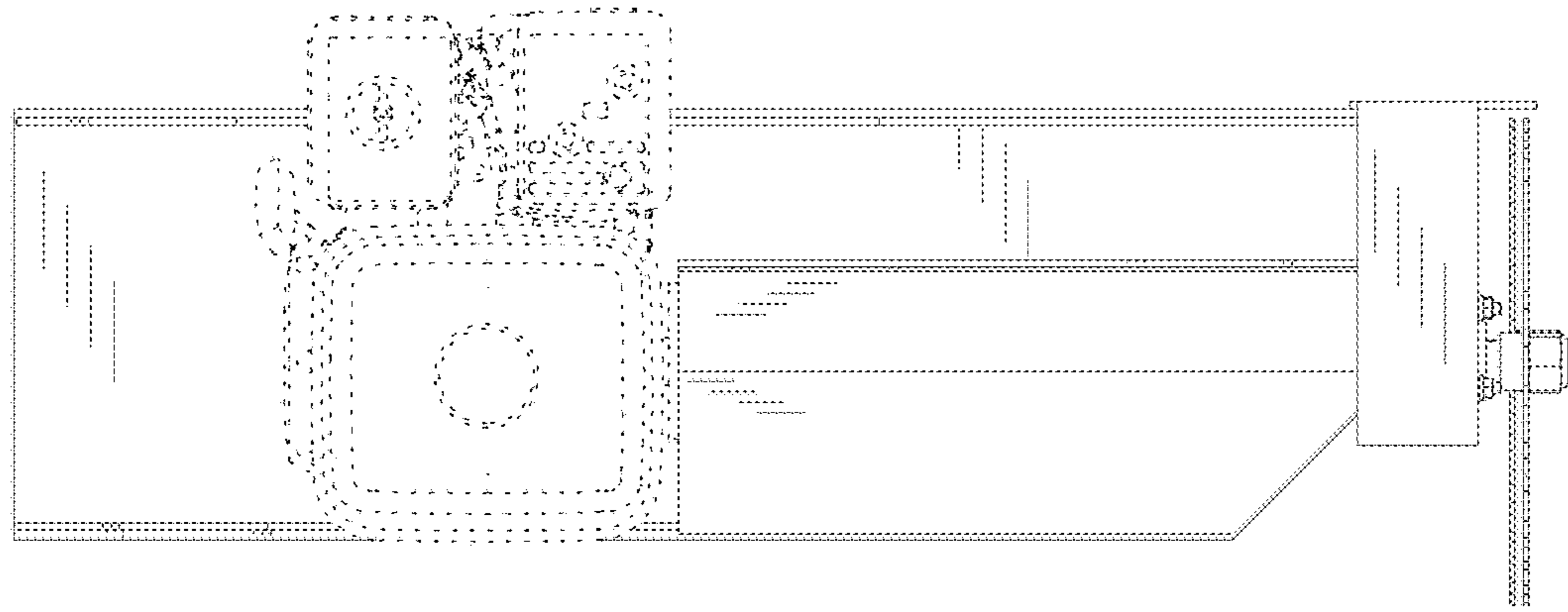


FIG. 2

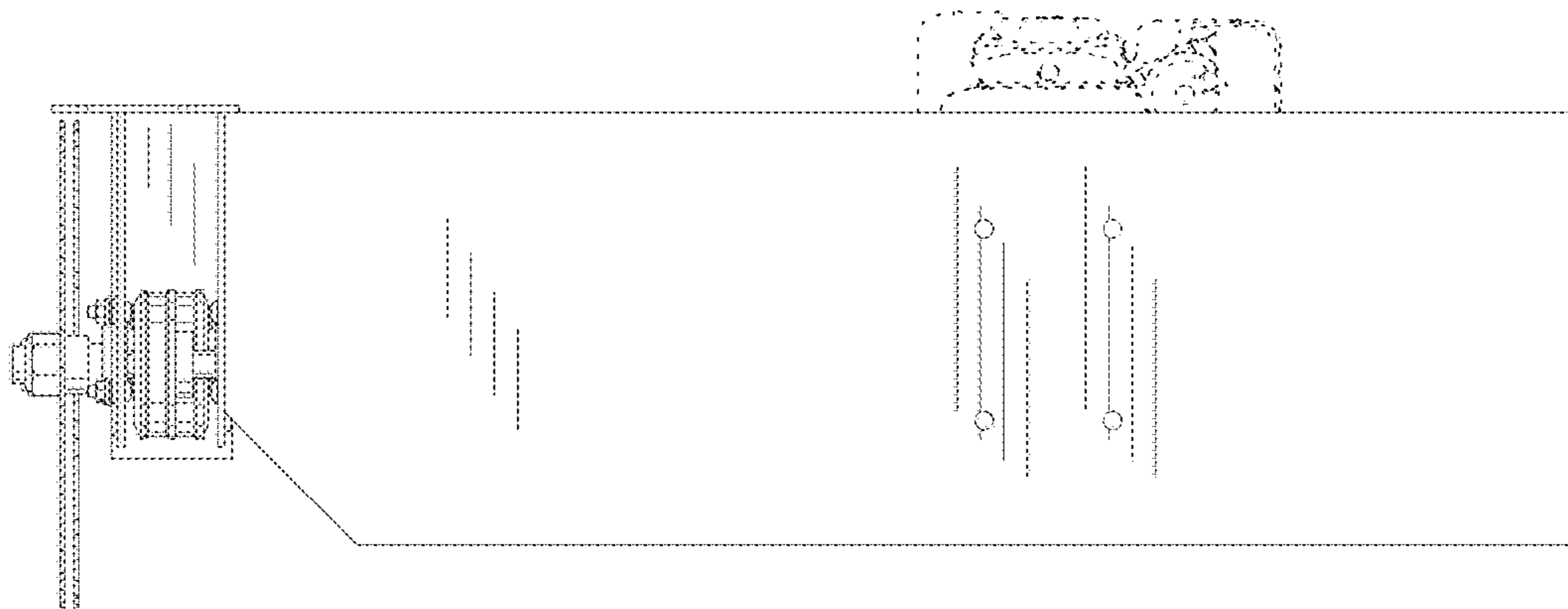


FIG. 3

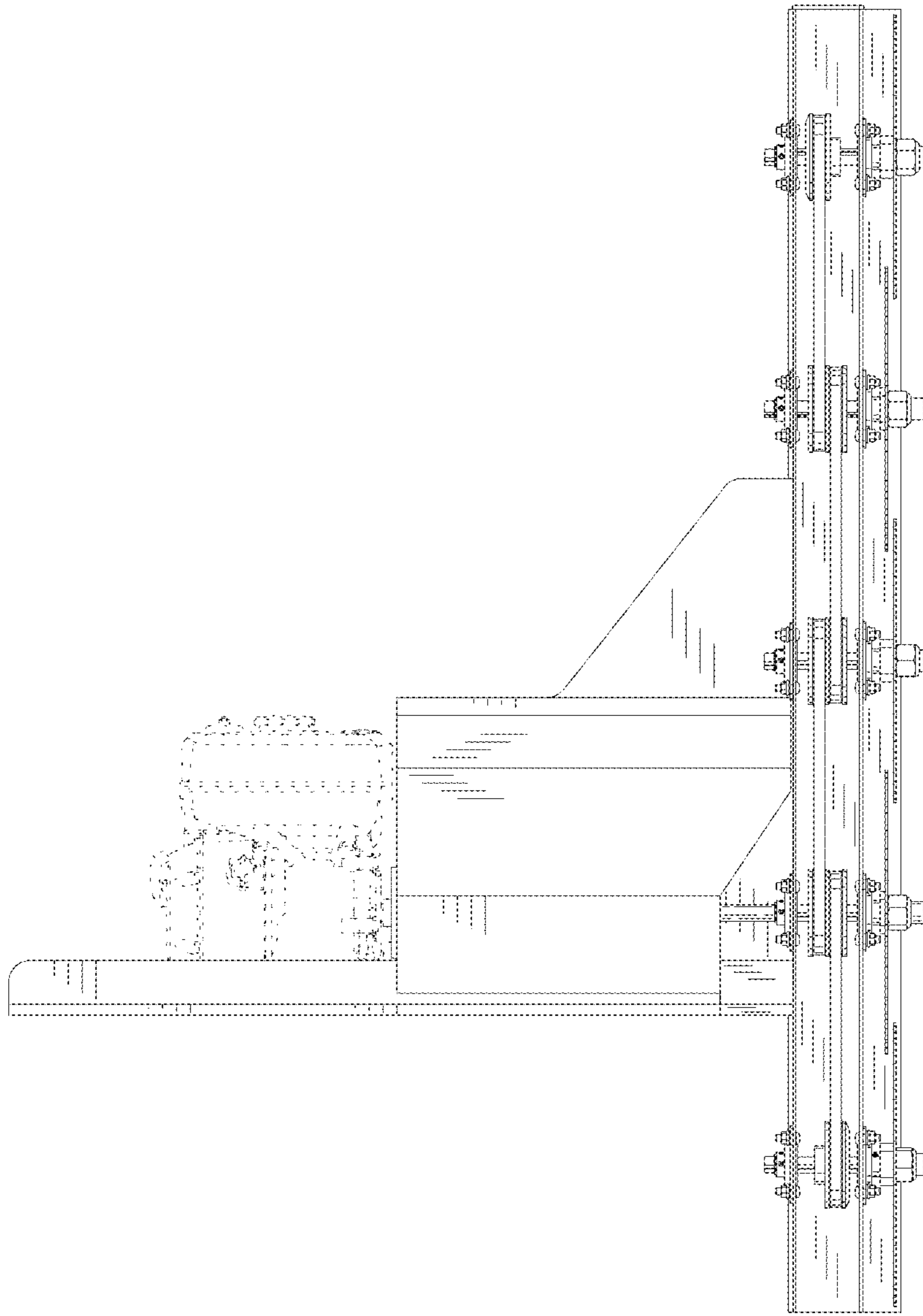


FIG. 4

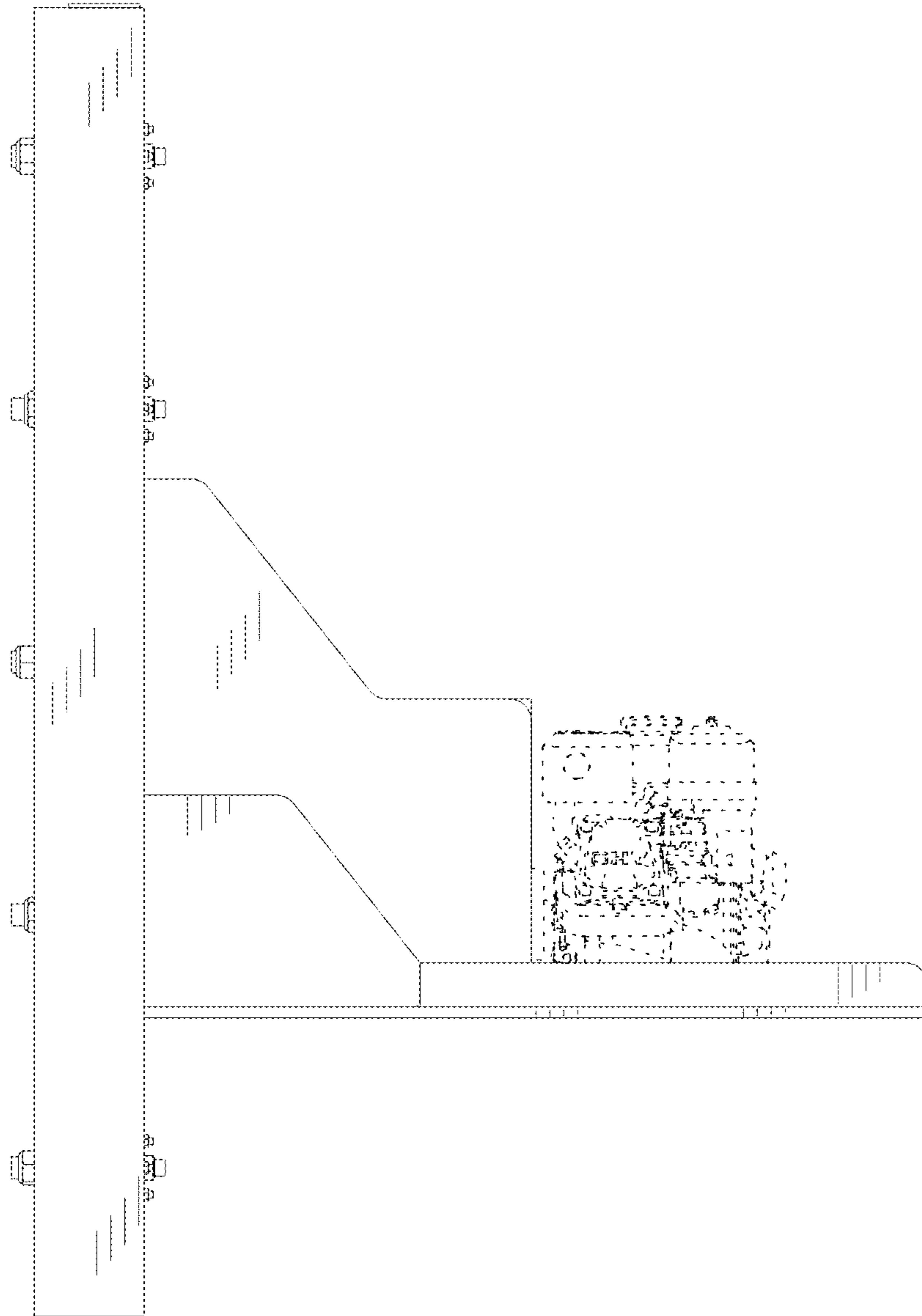


FIG. 5

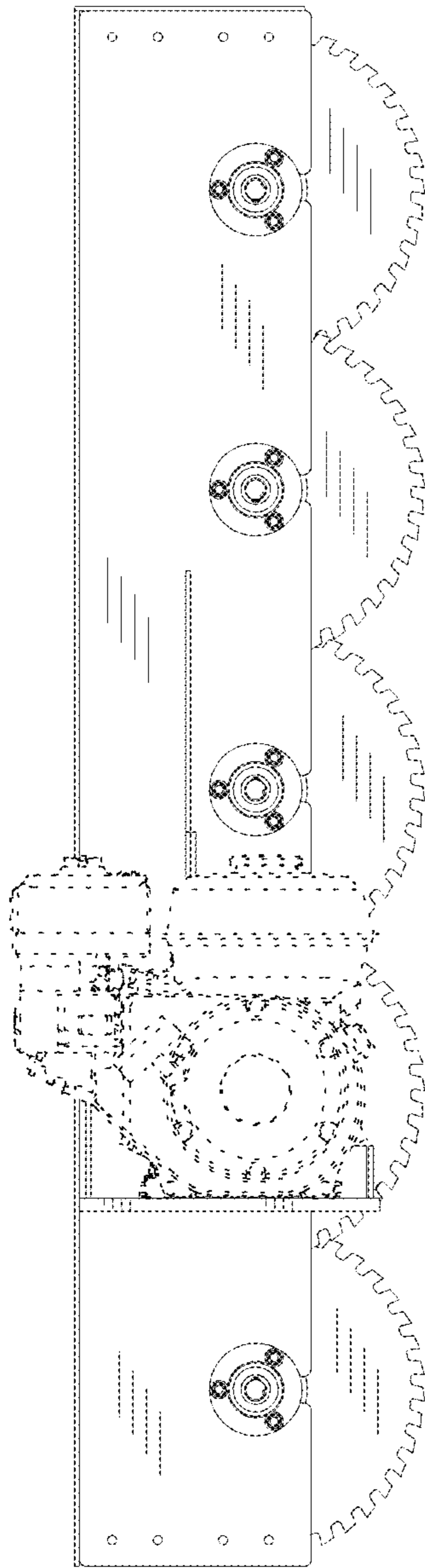


FIG. 6

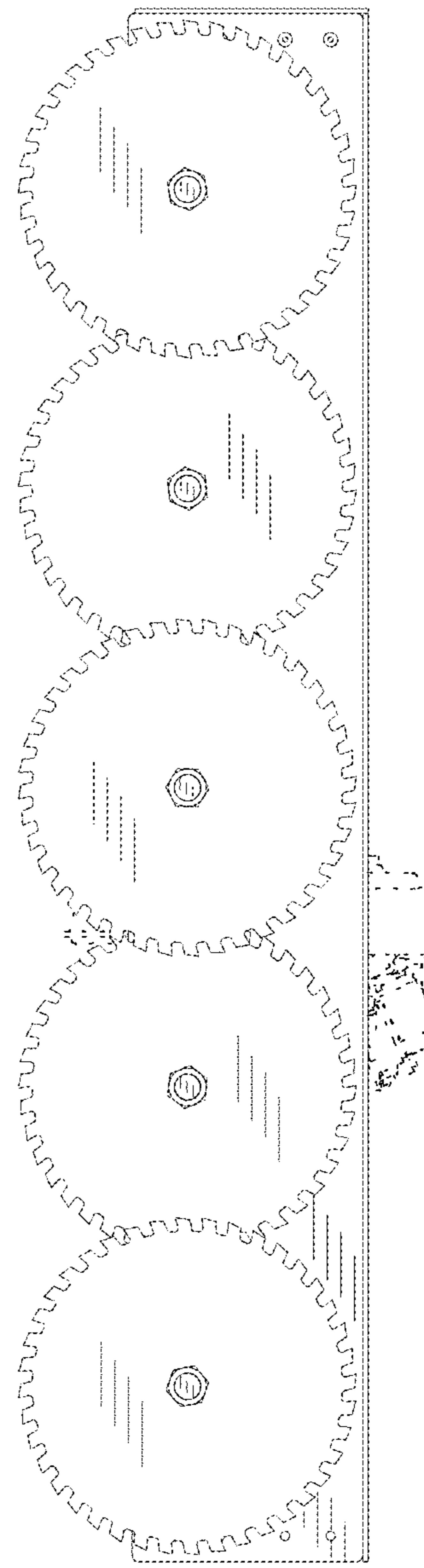


FIG. 7

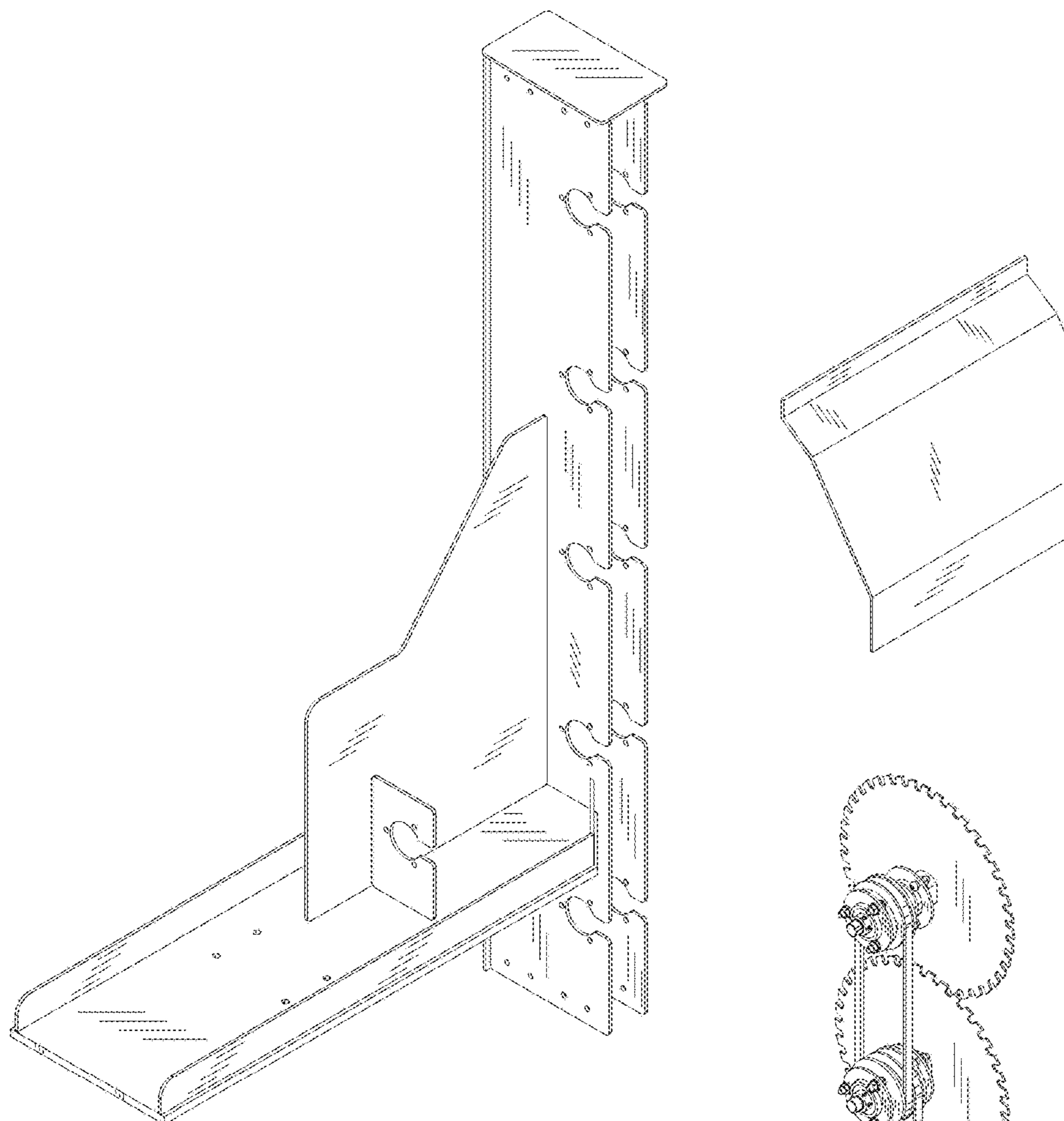
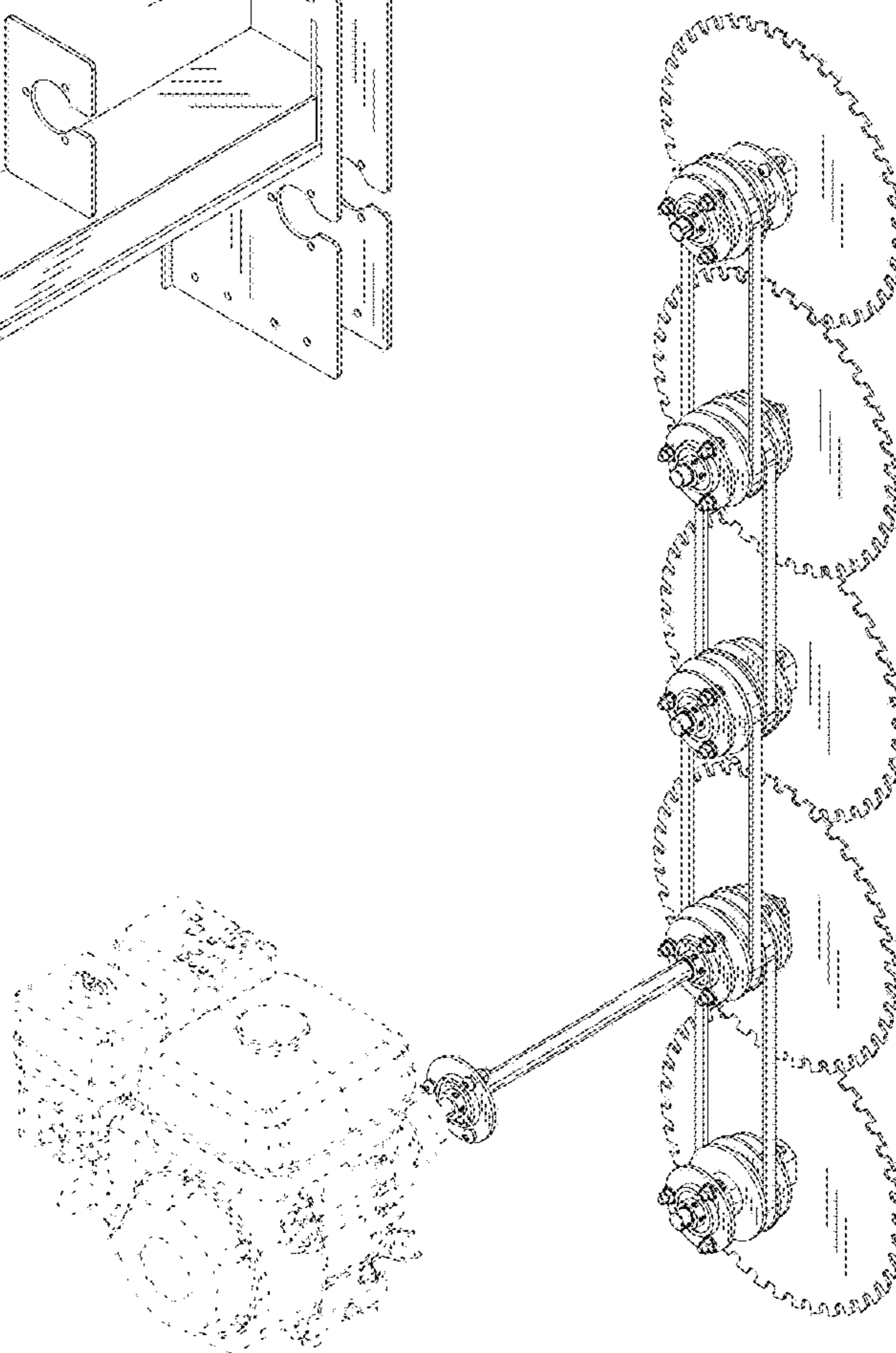


FIG. 8





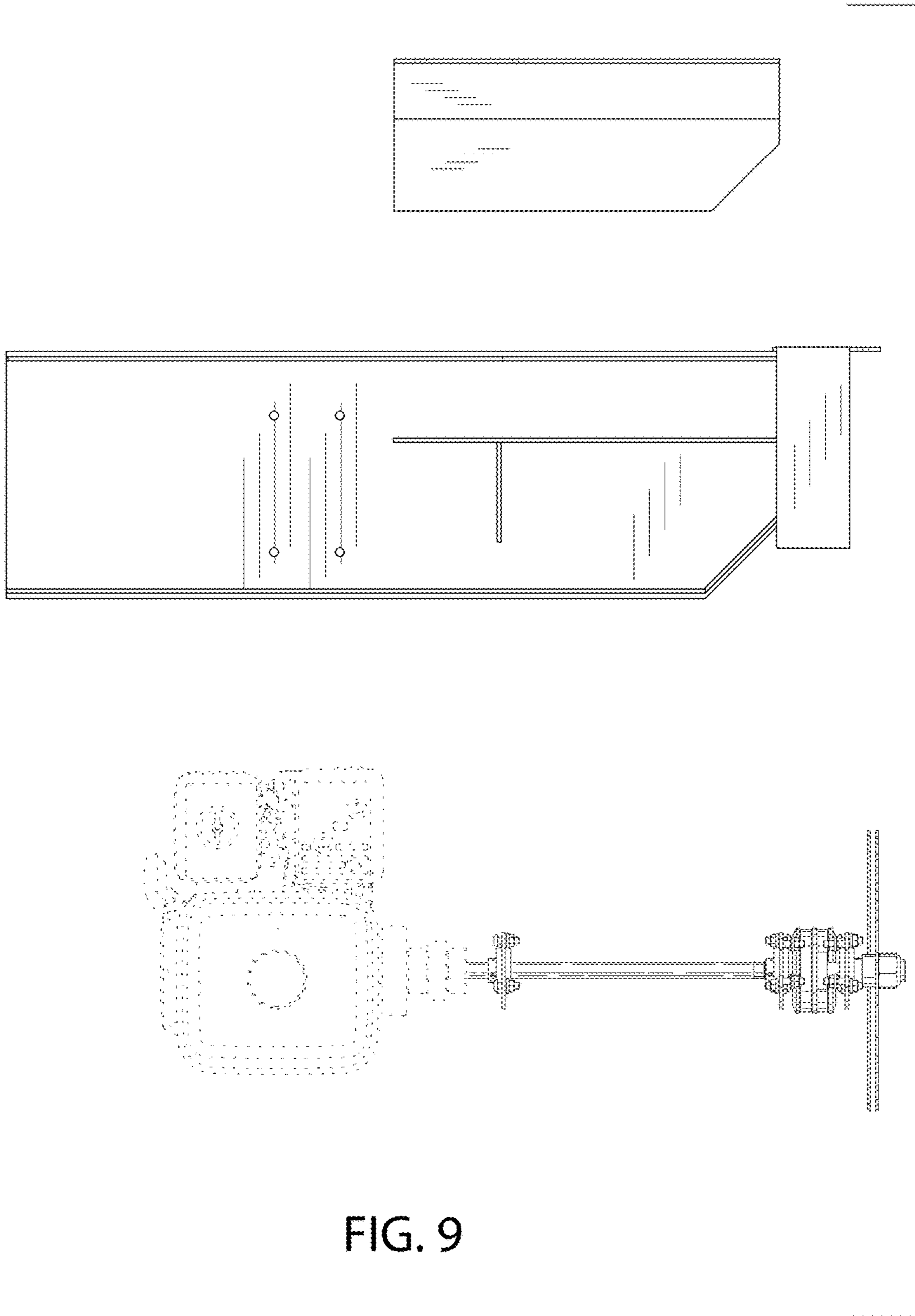


FIG. 9

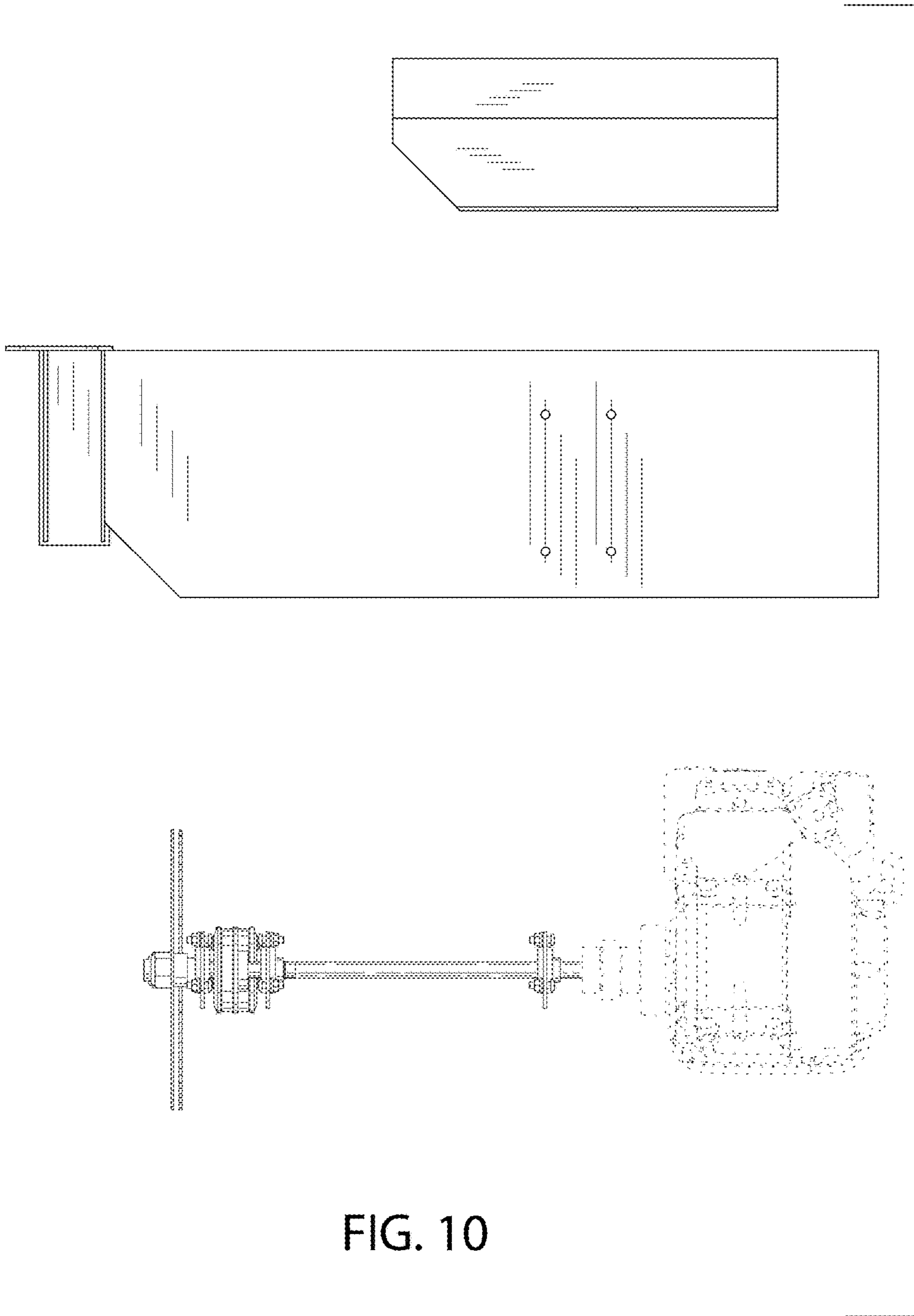


FIG. 10

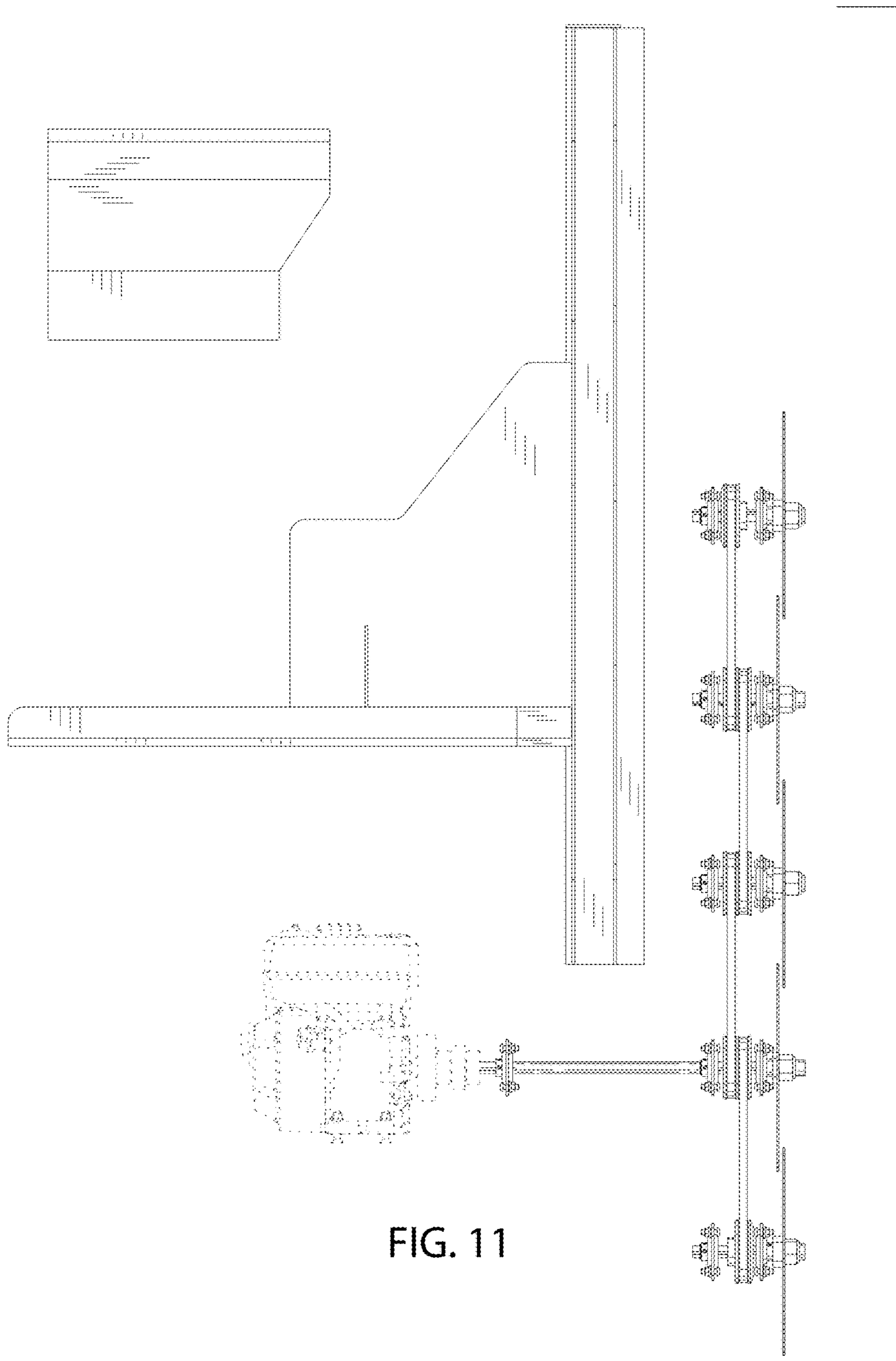


FIG. 11

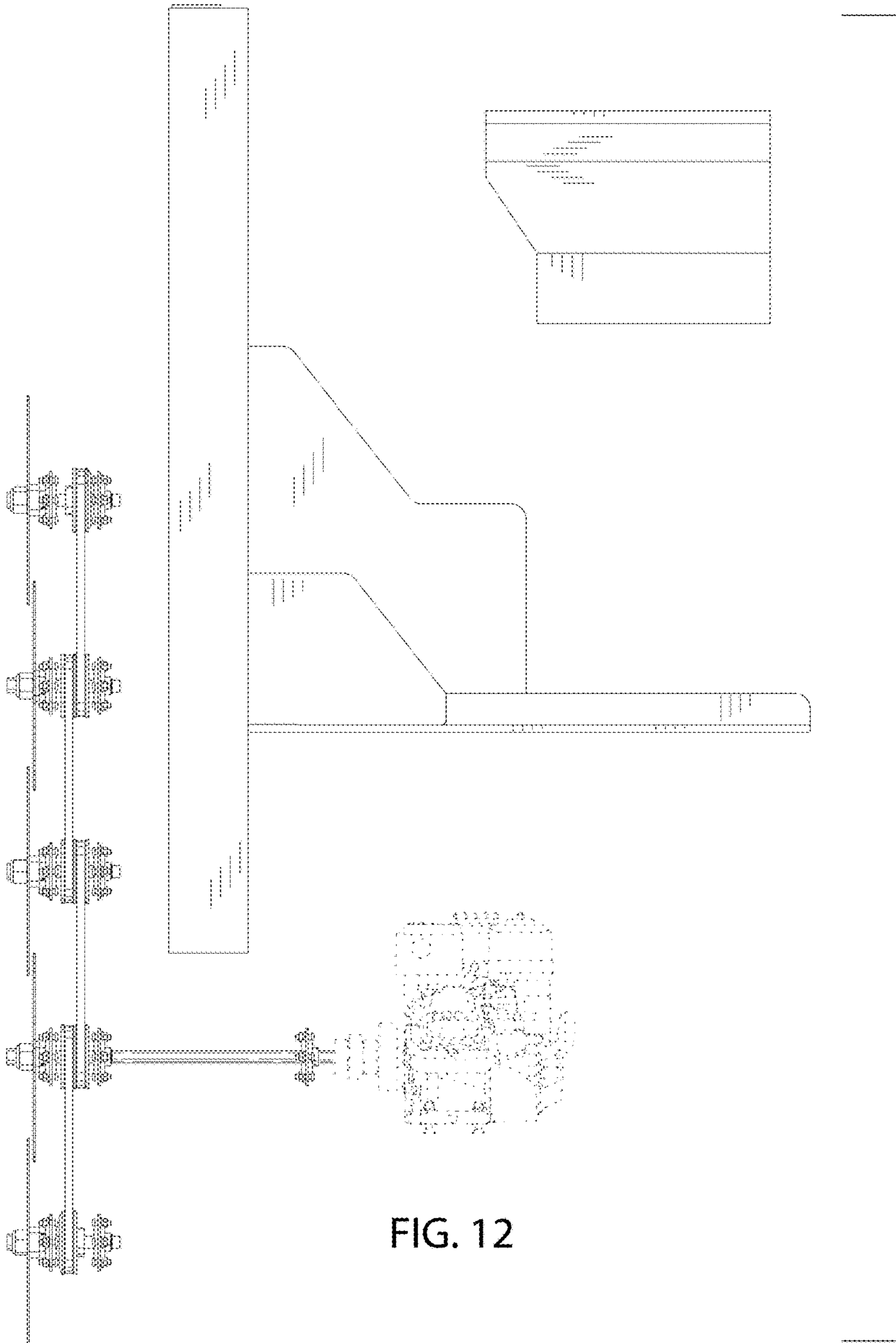


FIG. 12

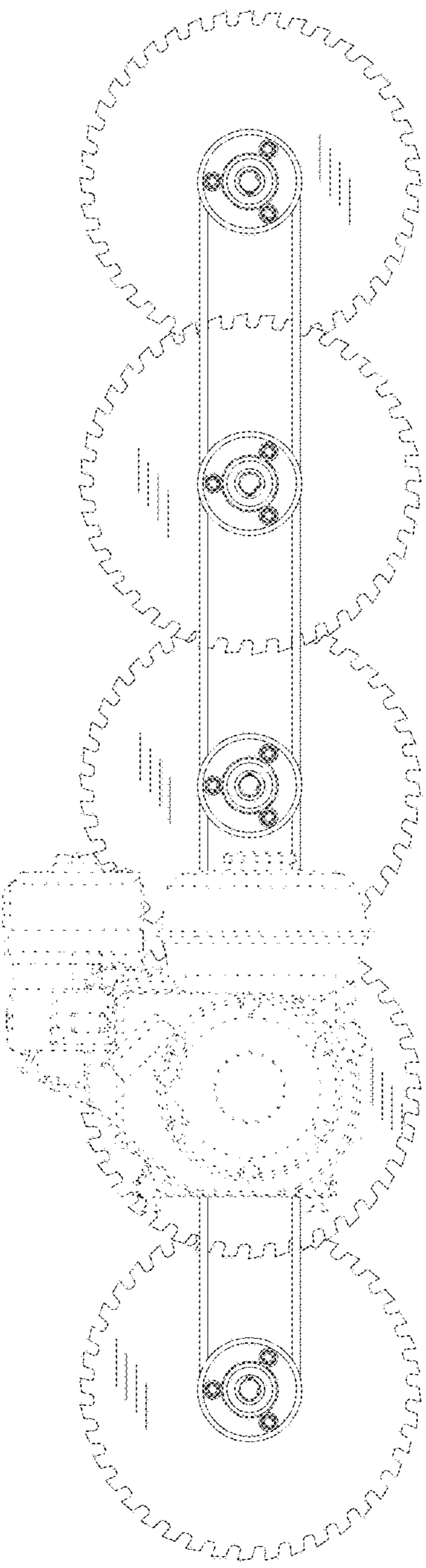
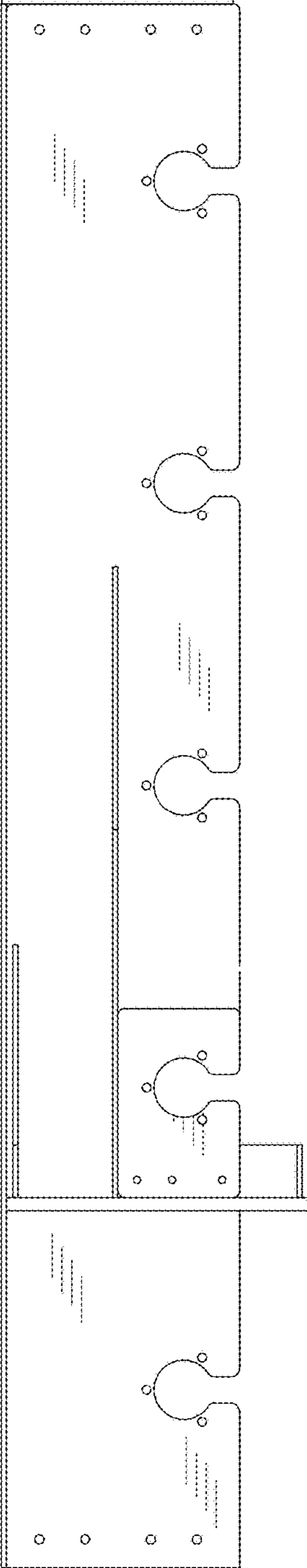


FIG. 13

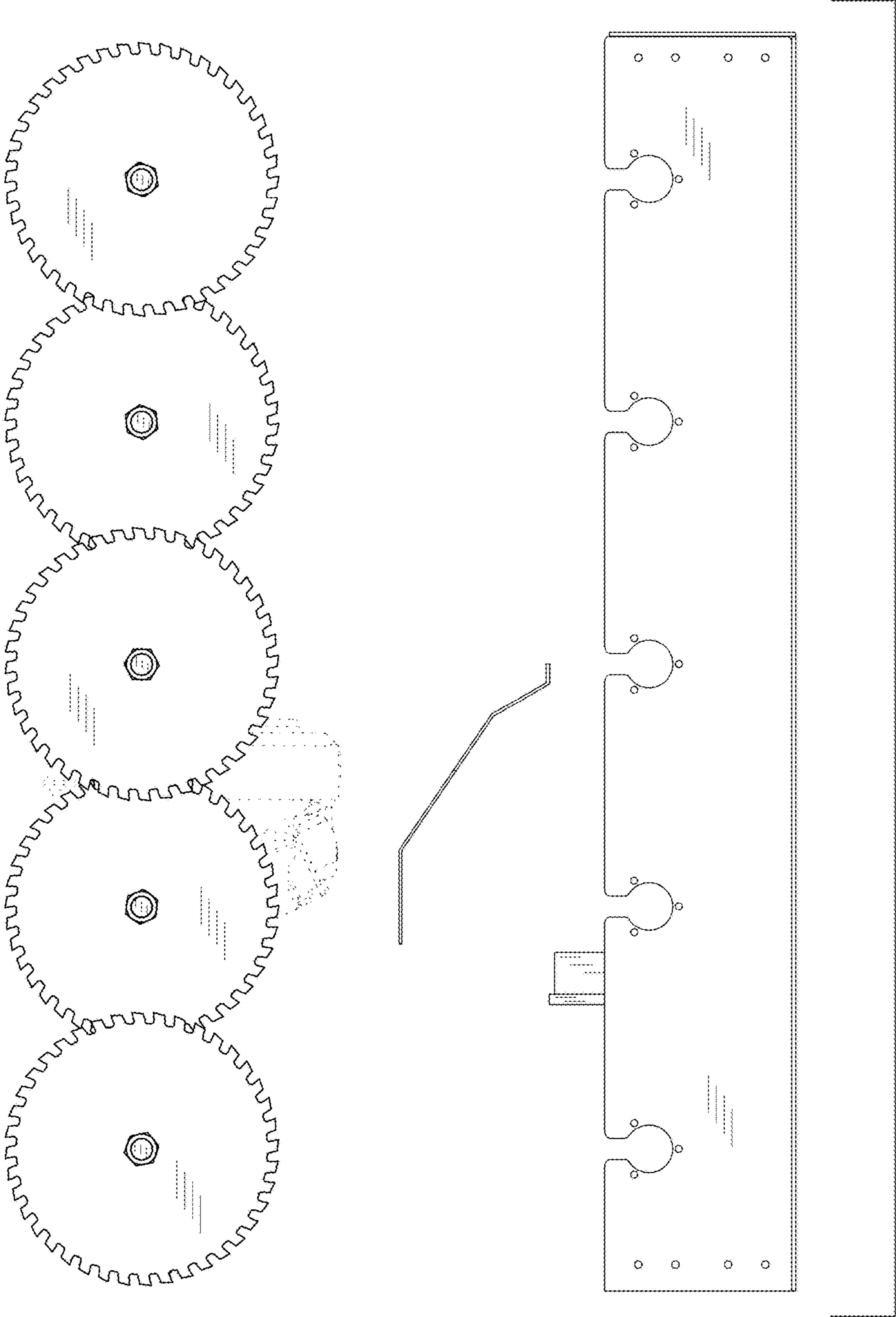


FIG. 14