



US00D795306S

(12) **United States Design Patent**
Erickson

(10) **Patent No.:** **US D795,306 S**

(45) **Date of Patent:** **** Aug. 22, 2017**

(54) **OFF-HIGHWAY WORK VEHICLE**

(71) Applicant: **Vermeer Manufacturing Company,**
Pella, IA (US)

(72) Inventor: **Daniel Ray Erickson,** Pella, IA (US)

(73) Assignee: **Vermeer Manufacturing Company,**
Pella, IA (US)

(**) Term: **14 Years**

(21) Appl. No.: **29/516,540**

(22) Filed: **Feb. 3, 2015**

(51) **LOC (10) Cl.** **15-03**

(52) **U.S. Cl.**
USPC **D15/28**

(58) **Field of Classification Search**
USPC D15/10, 22-26, 28; 305/142, 125, 132,
305/135, 195, 129, 136; 180/9.54, 9.21
CPC B62D 55/04; B62D 55/084; B62D 55/14;
B62D 55/02; B62D 55/125; B62D 55/08;
B62D 55/00
See application file for complete search history.

(56) **References Cited**

U.S. PATENT DOCUMENTS

1,268,116	A	6/1918	Sanford	
2,587,813	A	12/1949	Armand	
2,702,211	A	2/1955	Arps	
2,706,663	A	4/1955	Heckerman	
2,719,062	A	9/1955	Arps	
5,452,949	A *	9/1995	Kelderman B62D 49/0635 180/9.44
5,842,757	A *	12/1998	Kelderman B62D 55/02 305/125
D425,526	S *	5/2000	Juncker D15/28
6,213,490	B1	4/2001	Lykken et al.	
D473,245	S *	4/2003	Heitmann D15/28
D488,171	S *	4/2004	Juncker D15/28
D505,136	S *	5/2005	Brazier D15/28

D510,742	S *	10/2005	Stover D15/28
D528,133	S *	9/2006	Brazier D15/28
7,222,924	B2 *	5/2007	Christianson B62D 55/10 305/125
7,232,130	B2 *	6/2007	Reeves B62B 19/02 180/184

(Continued)

FOREIGN PATENT DOCUMENTS

GB	573777	12/1945
SU	16606374	11/1990

OTHER PUBLICATIONS

Applicant Admitted Prior Art, <https://www.flickr.com/photos/branhholm/4329033886/> 1950 Fordson Mayor E27N Roadless half track, 2 pages.

(Continued)

Primary Examiner — Mark Goodwin
(74) *Attorney, Agent, or Firm* — Lathrop & Gage L.L.P.

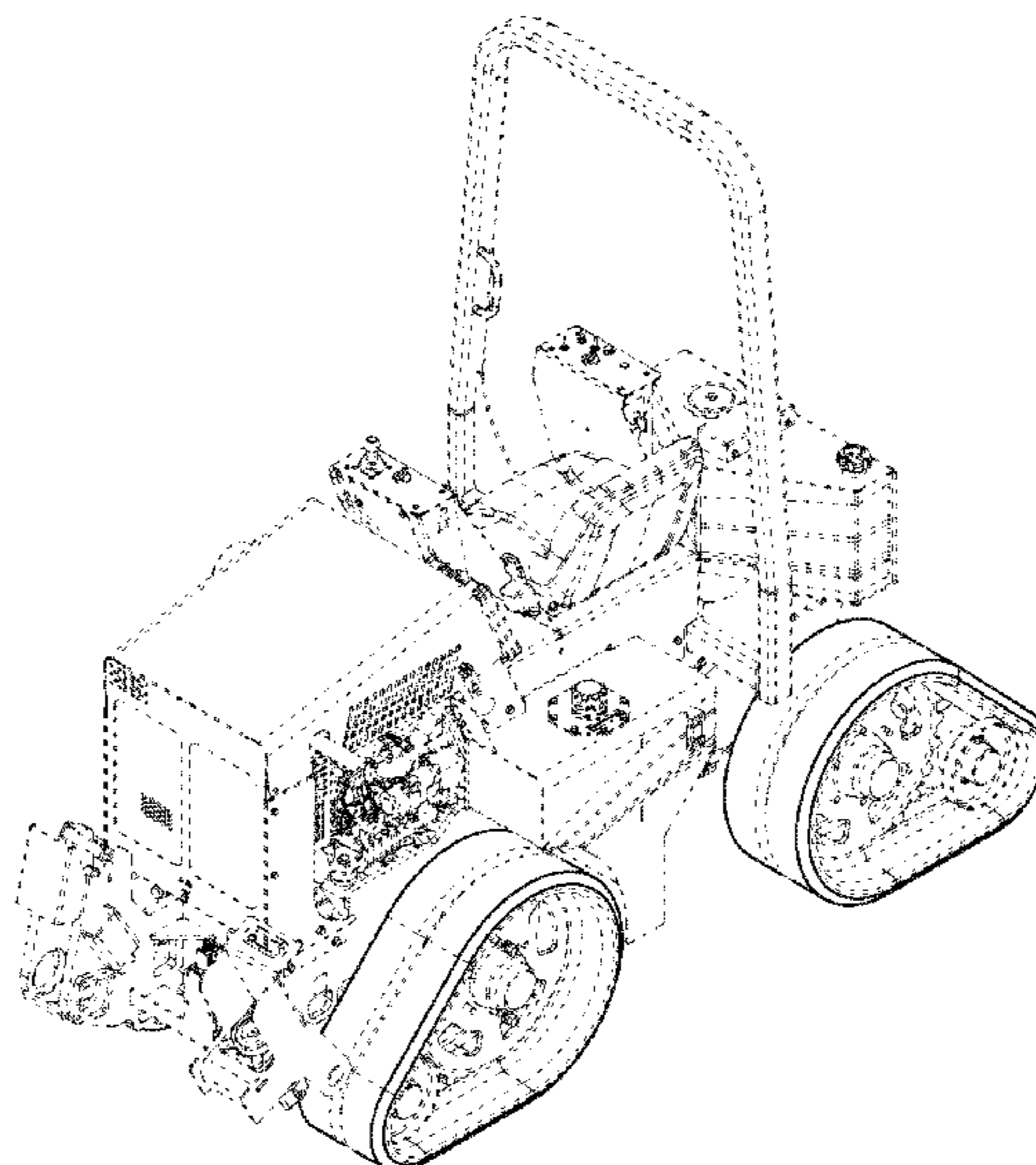
(57) **CLAIM**

The ornamental design for an off-highway work vehicle, as shown and described.

DESCRIPTION

FIG. 1 is a perspective view of an off-highway work vehicle in accordance with the principles of the present disclosure. FIG. 2 is a left side view thereof. FIG. 3 is a right side view thereof. FIG. 4 is a front view thereof. FIG. 5 is a back view thereof. FIG. 6 is a top view thereof; and, FIG. 7 is a bottom view thereof. The broken line showing of a work vehicle is included for the purpose of illustrating environmental structure only and forms no part of the claimed design.

1 Claim, 7 Drawing Sheets



(56)

References Cited

U.S. PATENT DOCUMENTS

7,252,347	B2 *	8/2007	Gingras	B62D 55/12 305/124
D556,791	S *	12/2007	Brazier	D15/28
D563,438	S *	3/2008	Bares	D15/24
D587,727	S *	3/2009	Vos	D15/24
D603,880	S *	11/2009	Brazier	D15/28
8,347,991	B2 *	1/2013	Zuchoski	B62D 55/10 180/9.1
8,632,138	B2 *	1/2014	Besette	B62D 55/04 305/142
D709,921	S *	7/2014	Brazier	D15/28
D711,928	S *	8/2014	Brazier	D15/28
D712,937	S *	9/2014	Wennerborn	D15/28
8,911,031	B2 *	12/2014	Besette	B62D 55/084 305/128
D738,405	S *	9/2015	Meyer	D15/28

OTHER PUBLICATIONS

Applicant Admitted Prior Art, <http://www.unusuallocomotion.com/pages/locomotion/changes-around-the-track-i-off-road-locomotion.html>, 1 page.

Applicant Admitted Prior Art, <http://forums.yesterdaystractors.comittforum/viewtopic.php?p=3978209&sid=6c12f7a2ffae4be4d23033f6fdb6bc3>, 3 pages.

Applicant Admitted Prior Art, http://tractors.wikia.com/wiki/File:A_Roadless_Half_track_Fordson_Major_at_Astwood_bank.Jpg, 2 pages.

Applicant Admitted Prior Art, <http://www.unusuallocomotion.com/pp/locomotion/unusual-locomotion-wheels-tracks-walking-reptation.html>, 1 page.

Applicant Admitted Prior Art, <http://goawaygarage.blogspot.com/2012/10/httpwww.html>, 1 page.

Applicant Admitted Prior Art, <https://www.flickr.com/photos/slink74659/2714768665/in/faves-31486821©N02/>, 1 page.

Applicant Admitted Prior Art; http://ferguson20build.com/?pate_id=44; 1 page.

Applicant Admitted Prior Art; <http://collections.museumvictoria.com.au/items/1486756>, 7 pages.

Applicant Admitted Prior Art, <http://www.oldfordtractors.com/optrepublic.htm>, 1 page.

Applicant Admitted Prior Art, http://www.allischalmers.com/forum/forum_posts.asp?TID=19576&title=half-tracks.

You Tube Video of Ferguson Tea 20 with half track climbing in the forest, uploaded May 3, 2009; <https://www.youtube.com/watch?v=jFpnp5RMeho>.

* cited by examiner

FIG. 1

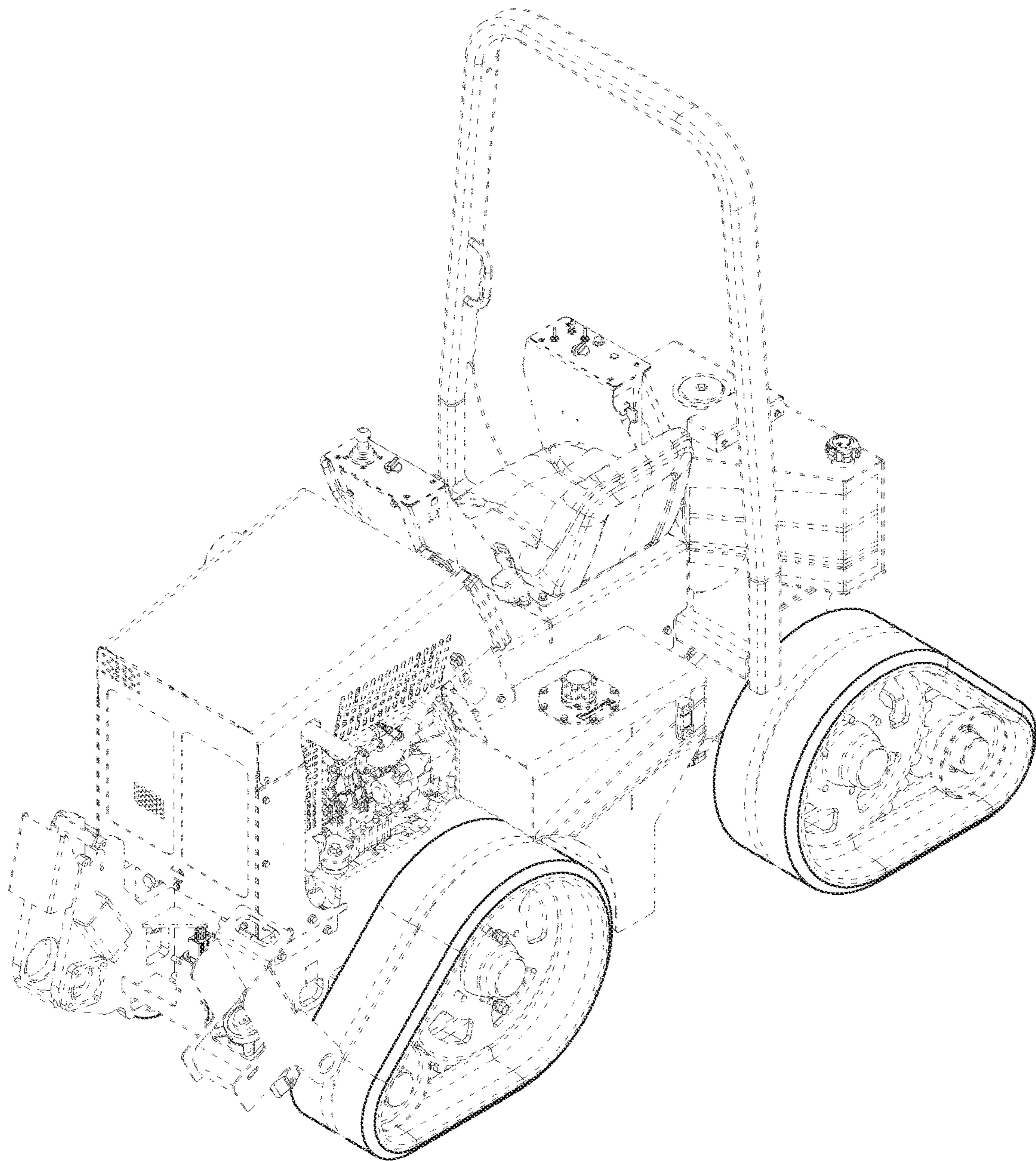


FIG. 2

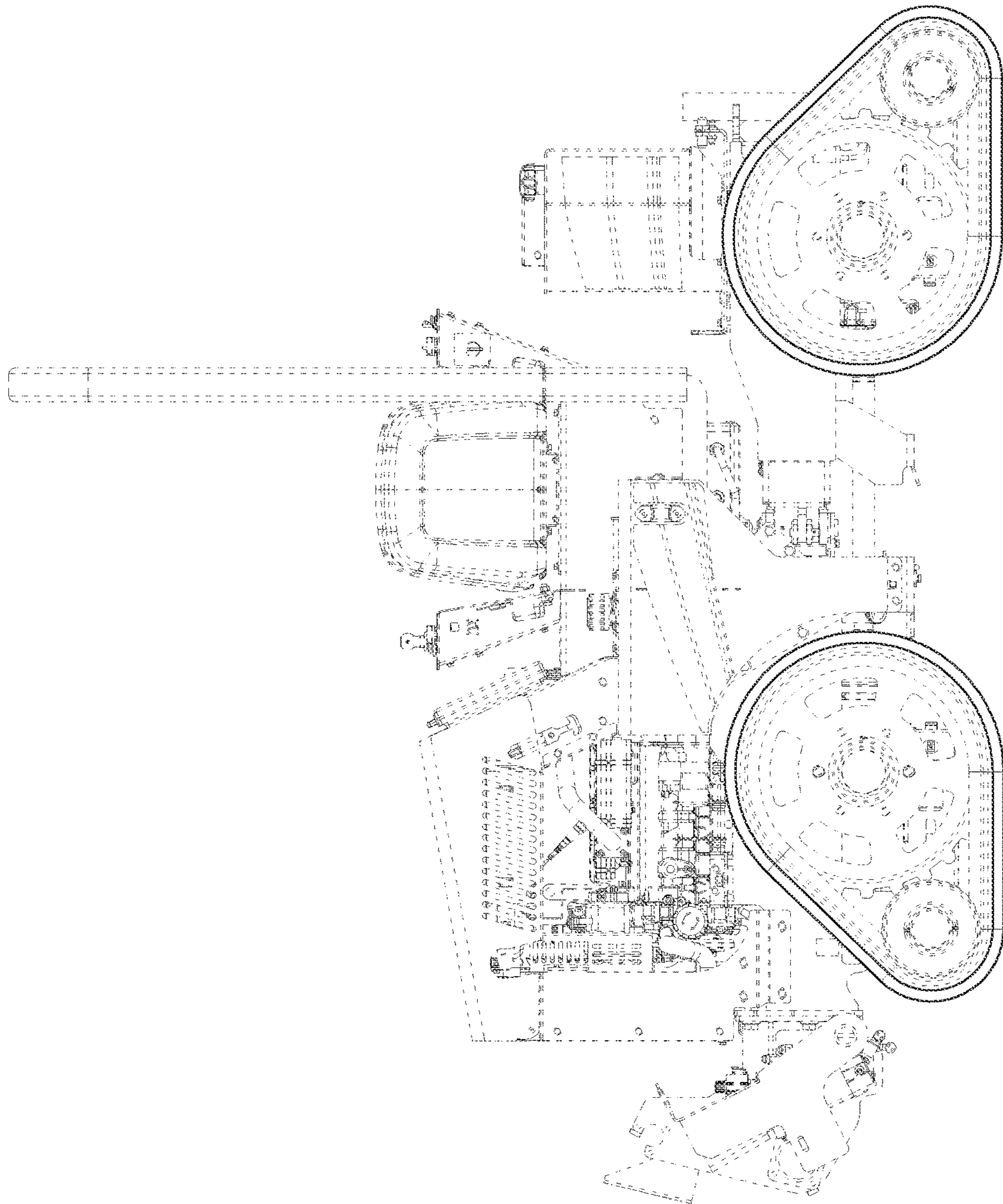


FIG. 3

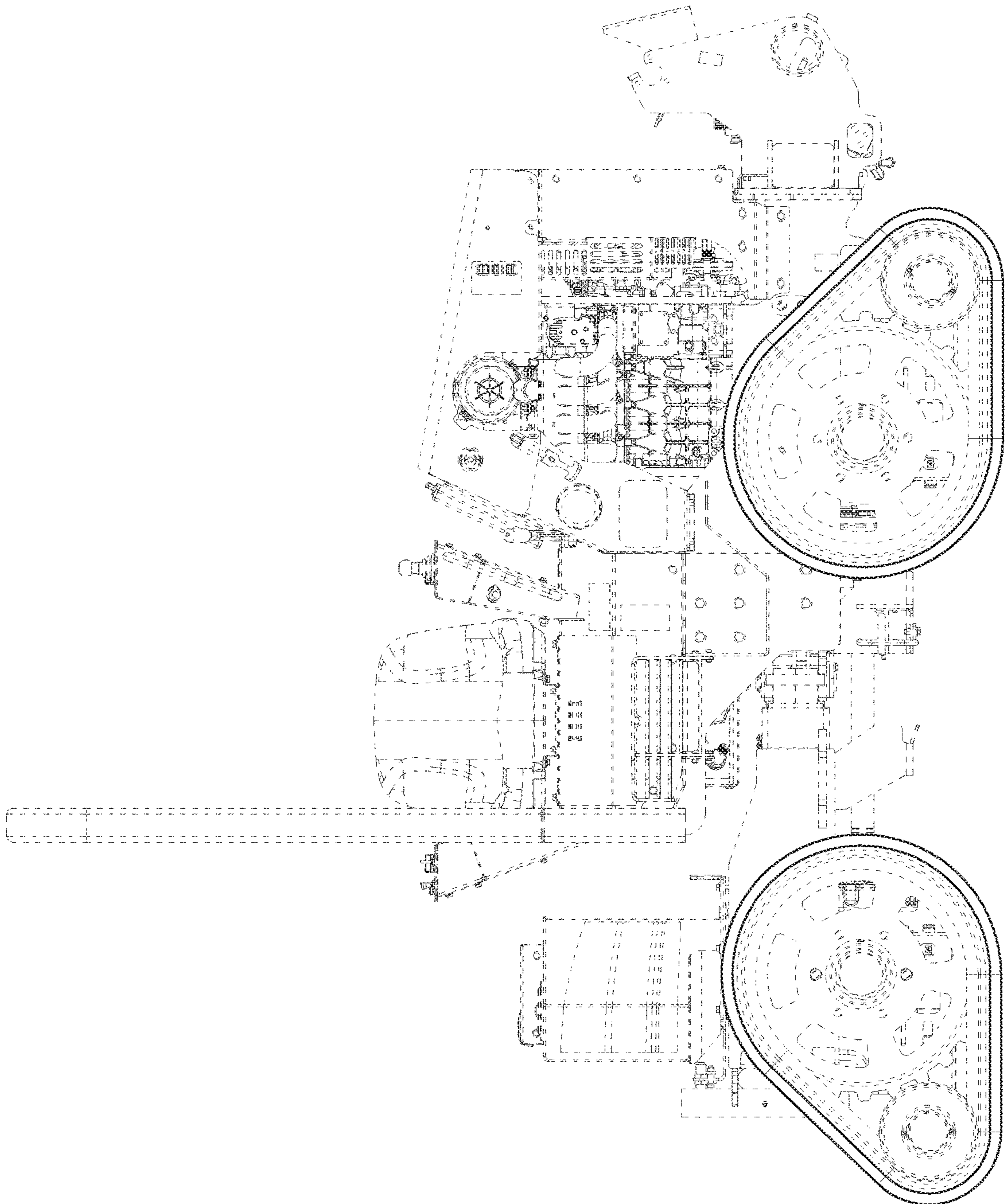


FIG. 4

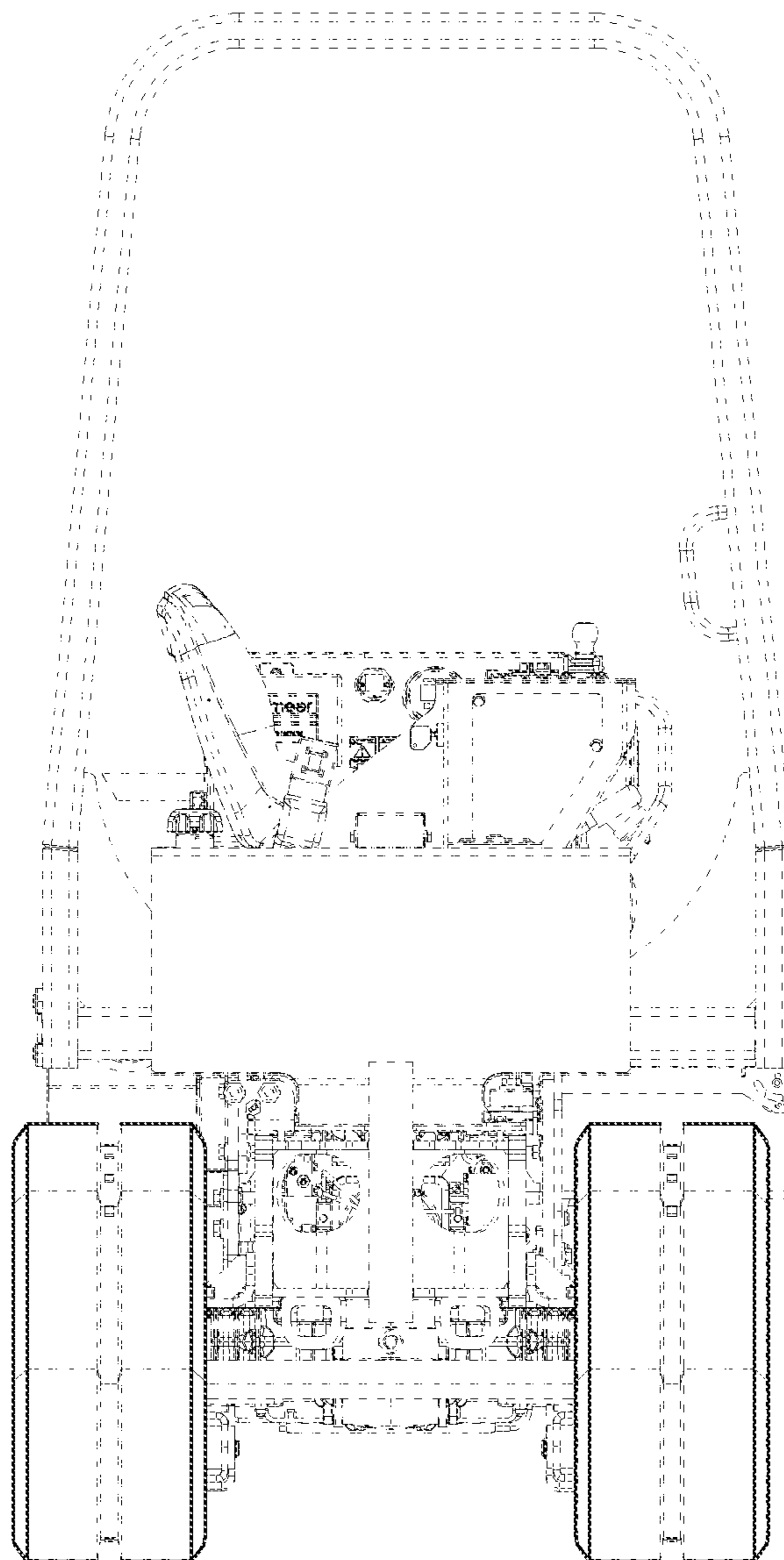


FIG. 5

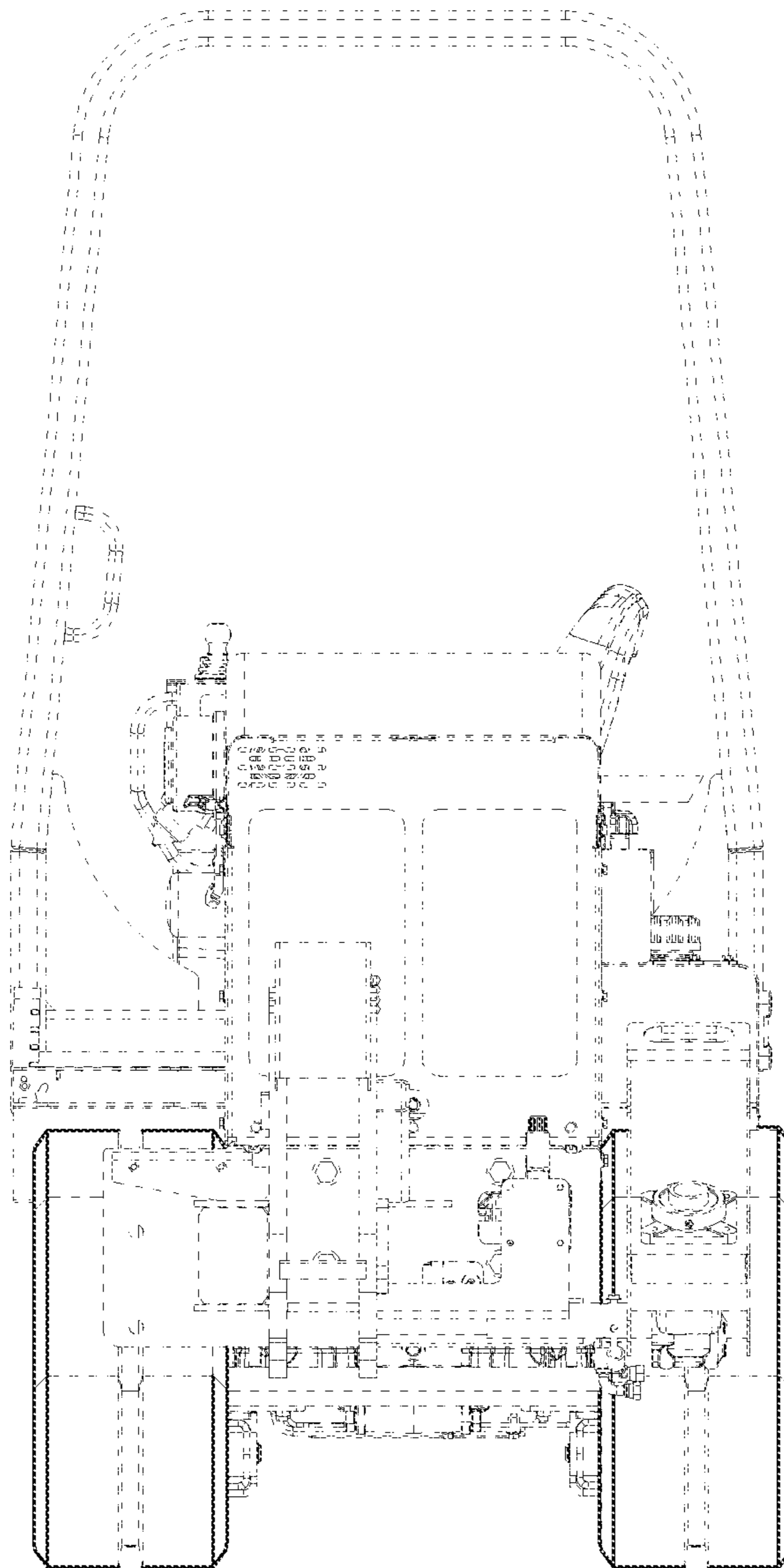


FIG. 6

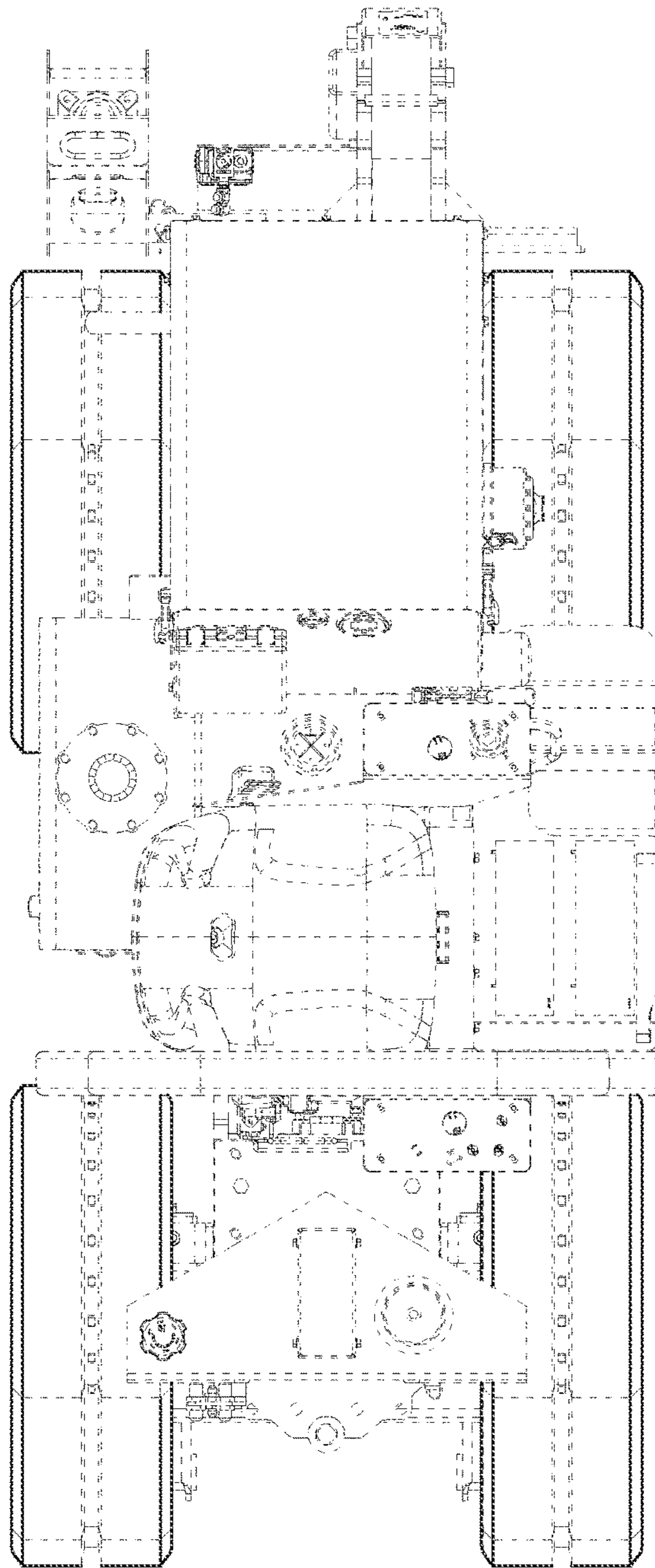


FIG. 7

